



US00D946503S

(12) **United States Design Patent**
Nybacka et al.

(10) **Patent No.:** **US D946,503 S**
(45) **Date of Patent:** **** Mar. 22, 2022**

(54) **BATTERY**

(71) Applicant: **Dometic Sweden AB**, Solna (SE)

(72) Inventors: **Jens Nybacka**, Nacka (SE); **Samuele Meda**, Solna (SE); **Kristoffer Olsson**, Hägersten (SE)

(73) Assignee: **Dometic Sweden AB**, Solna (SE)

(**) Term: **15 Years**

(21) Appl. No.: **29/675,644**

(22) Filed: **Jan. 4, 2019**

(30) **Foreign Application Priority Data**

Jul. 9, 2018 (EM) 005486503

(51) **LOC (13) Cl.** **13-02**

(52) **U.S. Cl.**
USPC **D13/103**

(58) **Field of Classification Search**

USPC D13/103, 107, 108, 110, 133,
D13/137.1–137.4, 138.1–138.2,
D13/139.1–139.8, 146, 147, 151–156,
D13/173, 177, 199; D14/432, 433, 435.1,
D14/250; D23/231, 232; D15/7–9;
D8/350, 353–356

CPC H01R 11/00; H01R 9/00; H01R 13/00;
H01R 13/04; H01R 13/10; H01R
13/6666; H01R 13/6675; H01R 25/00;
H01R 25/006; H01H 2207/00; H01H
2207/022; Y02E 60/12; Y02E 60/122;
Y02E 60/124; Y02E 60/50; H01M 2/02;
H01M 2/022; H01M 2/0202; H01M
2/0207; H01M 2/0212; H01M 2/1061;
H01M 2/1022; H01M 2/1055; H01M
2/1066; H01M 2/105; H01M 2/204; H02J
7/00; H02J 7/0003; H02J 7/0011; H02J
7/0013; H02J 7/0054; H02J 7/0055; H02J
7/0057; Y02T 10/7005; Y02T 10/705;
Y02T 10/7088; B60L 11/1809; B60L
11/1861

See application file for complete search history.

(56) **References Cited**

U.S. PATENT DOCUMENTS

D641,694	S	*	7/2011	Akahori	D13/107
D645,817	S	*	9/2011	Sasada	D13/108
D695,680	S	*	12/2013	Workman	D13/103
D709,028	S	*	7/2014	Thompson	D13/108
D714,293	S	*	9/2014	Kelly	D14/433
D755,155	S	*	5/2016	Paterson	D14/204

(Continued)

FOREIGN PATENT DOCUMENTS

EM 005486503-0001-4 7/2018

OTHER PUBLICATIONS

Notification to Grant Patent Right for CN Design Application No. 201930008671.6 dated Apr. 22, 2019.

(Continued)

Primary Examiner — Christy Nemeth

(74) *Attorney, Agent, or Firm* — Middleton Reutlinger

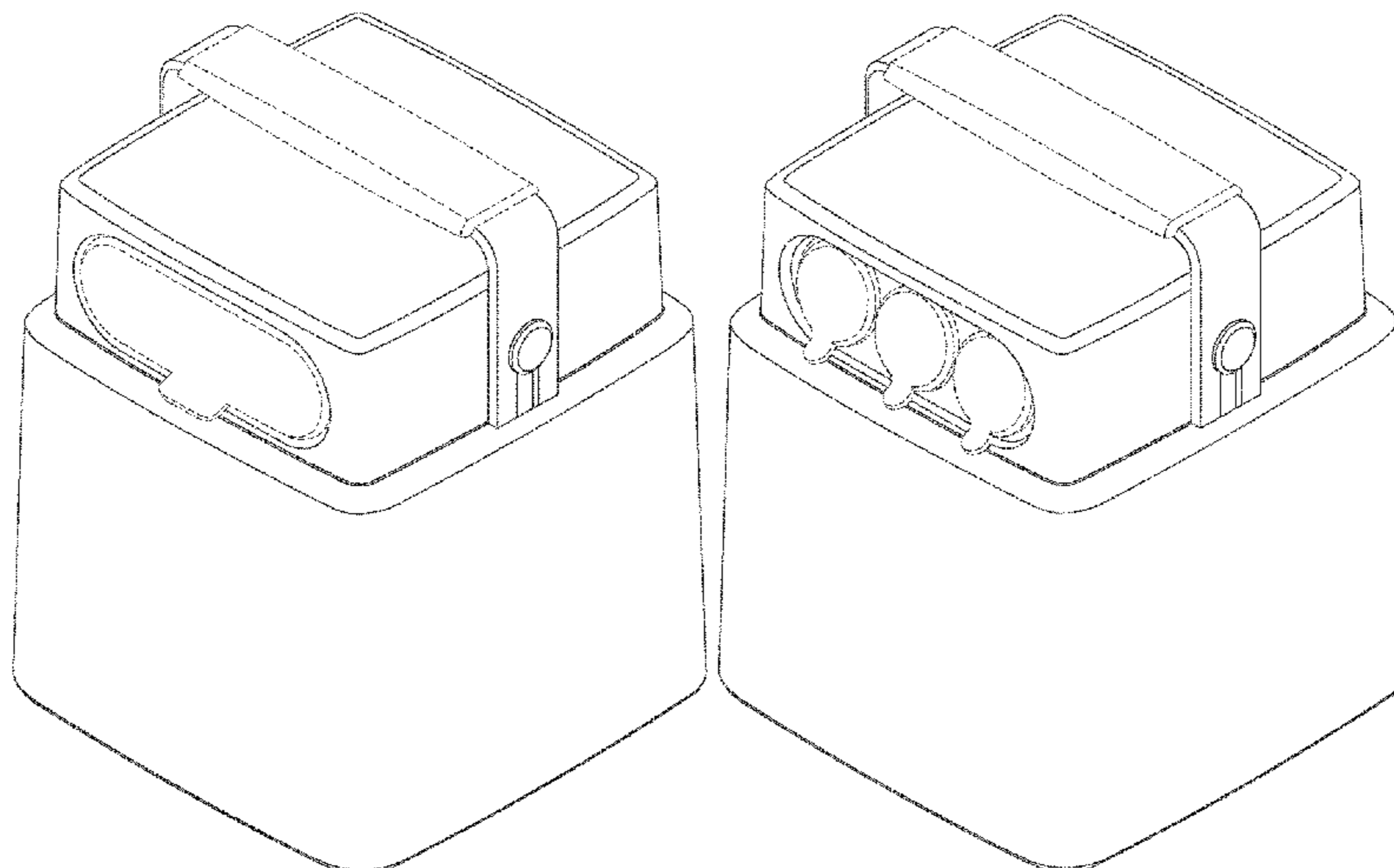
(57) **CLAIM**

The ornamental design for a battery, as shown and described.

DESCRIPTION

FIG. 1 is a first perspective view of a battery;
FIG. 2 is a second perspective view thereof;
FIG. 3 is a front view thereof;
FIG. 4 is a rear view thereof;
FIG. 5 is a left side view thereof;
FIG. 6 is a right side view thereof; and,
FIG. 7 is a top view thereof.
Broken lines in the drawings are for the purpose of illustrating portions of the battery that form no part of the claimed design.

1 Claim, 7 Drawing Sheets



(56)

References Cited

U.S. PATENT DOCUMENTS

D762,165 S * 7/2016 Rowe D13/103
 D762,193 S * 7/2016 Petersen D14/215
 D779,719 S * 2/2017 Qiu D27/101
 D805,499 S * 12/2017 Crolla D14/214
 D820,197 S * 6/2018 Luke D13/103
 D821,305 S * 6/2018 Liu D13/103
 D835,574 S * 12/2018 Trongone D13/103
 D836,066 S * 12/2018 Lim D13/103
 D841,574 S * 2/2019 Ma D13/103
 D843,938 S * 3/2019 Park D13/108
 D845,233 S * 4/2019 Zeng D13/108
 D846,492 S * 4/2019 Verleur D13/103
 D846,494 S * 4/2019 Takahashi D13/103
 D851,584 S * 6/2019 Luke D13/103
 D855,018 S * 7/2019 Gan D13/103
 D855,251 S * 7/2019 Qiu D27/162
 D861,240 S * 9/2019 Qiu D27/101
 D861,603 S * 10/2019 Zhong D13/110
 D861,973 S * 10/2019 Qiu D27/101
 D864,862 S * 10/2019 Cheng D13/108

D864,965 S * 10/2019 Sang D14/434
 D865,676 S * 11/2019 Liao D13/147
 D868,685 S * 12/2019 Niedzwecki D13/103
 D870,037 S * 12/2019 Lee D13/107
 D871,321 S * 12/2019 Chung D13/103
 D872,692 S * 1/2020 Li D13/108
 2018/0020738 A1* 1/2018 Qiu A24F 47/008
 131/329

OTHER PUBLICATIONS

IP Australia, Notice of filing for design application No. 201910033 entitled "Battery" filed Jan. 7, 2019.
 IP Australia, Notice of filing for design application No. 201910034 entitled "Battery" filed Jan. 7, 2019.
 European Union Intellectual Property Office, Design Application No. 005486503 filed Jul. 9, 2018.
 Dometic, Dometic CoolPower RAPS44—Battery Pack, Dec. 28, 2018, access from internet on Apr. 5, 2019, 5 pages.
 Chinese Design Patent Application No. 2019300086716 filed Jan. 8, 2019.

* cited by examiner

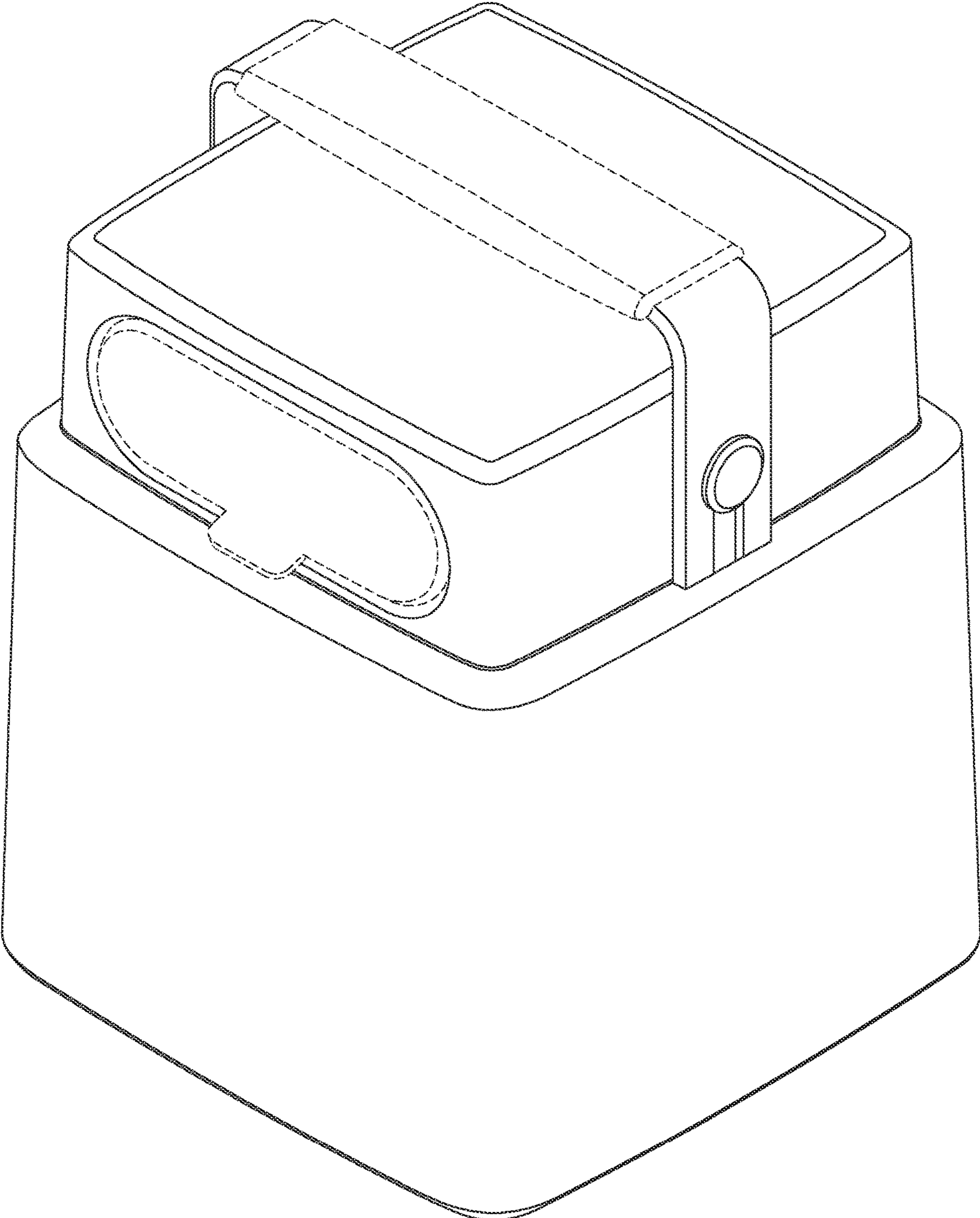


FIG. 1

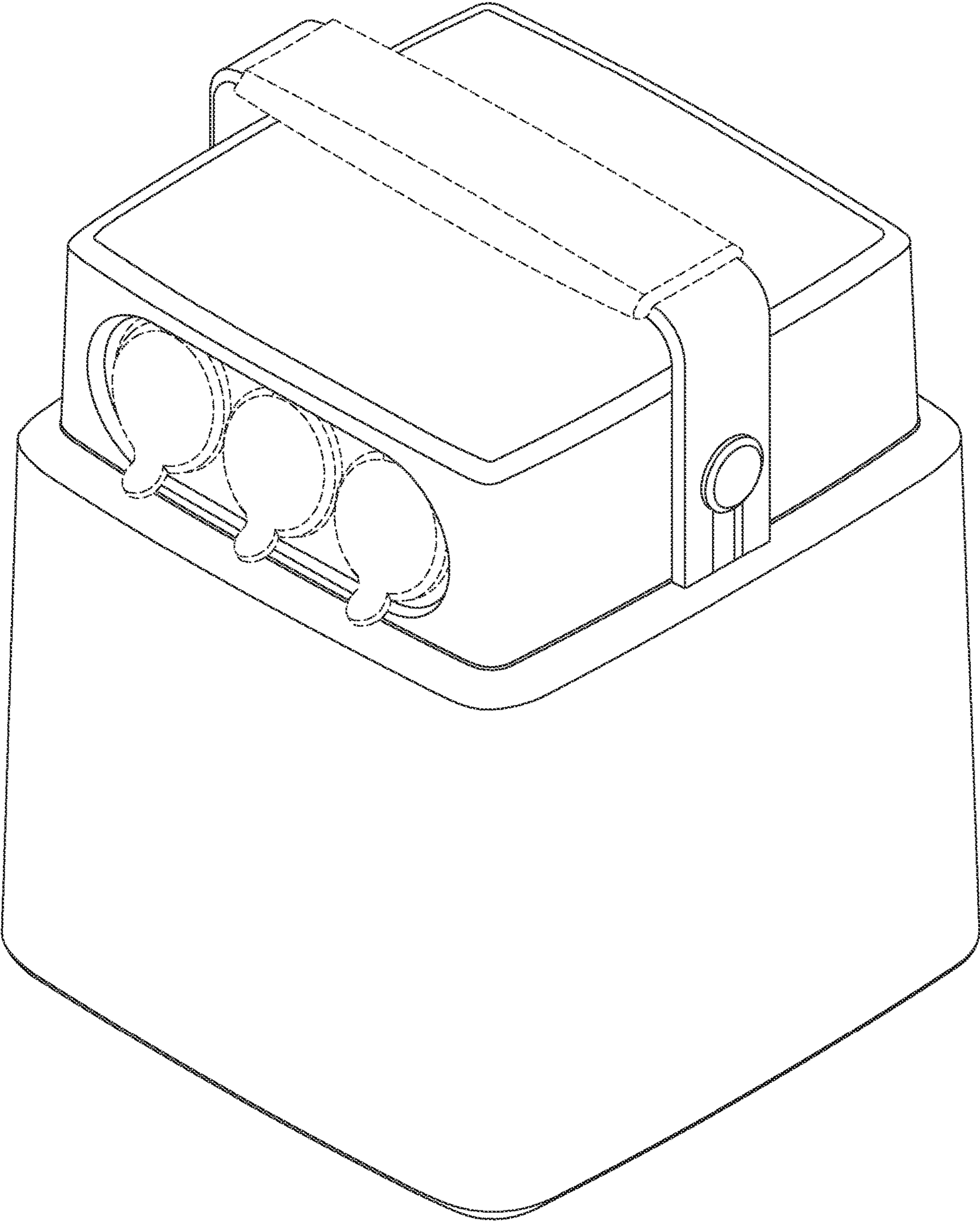


FIG. 2

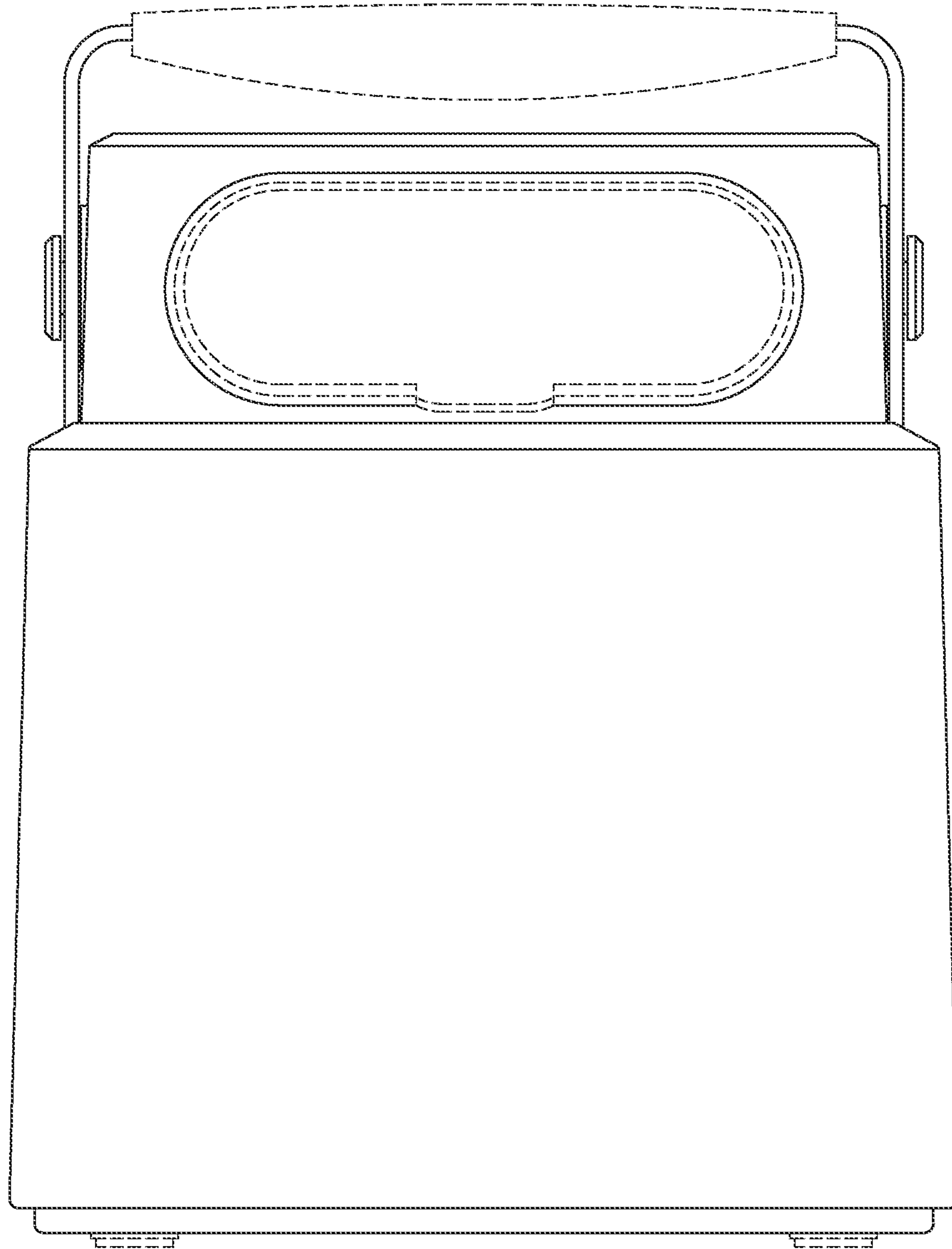


FIG. 3

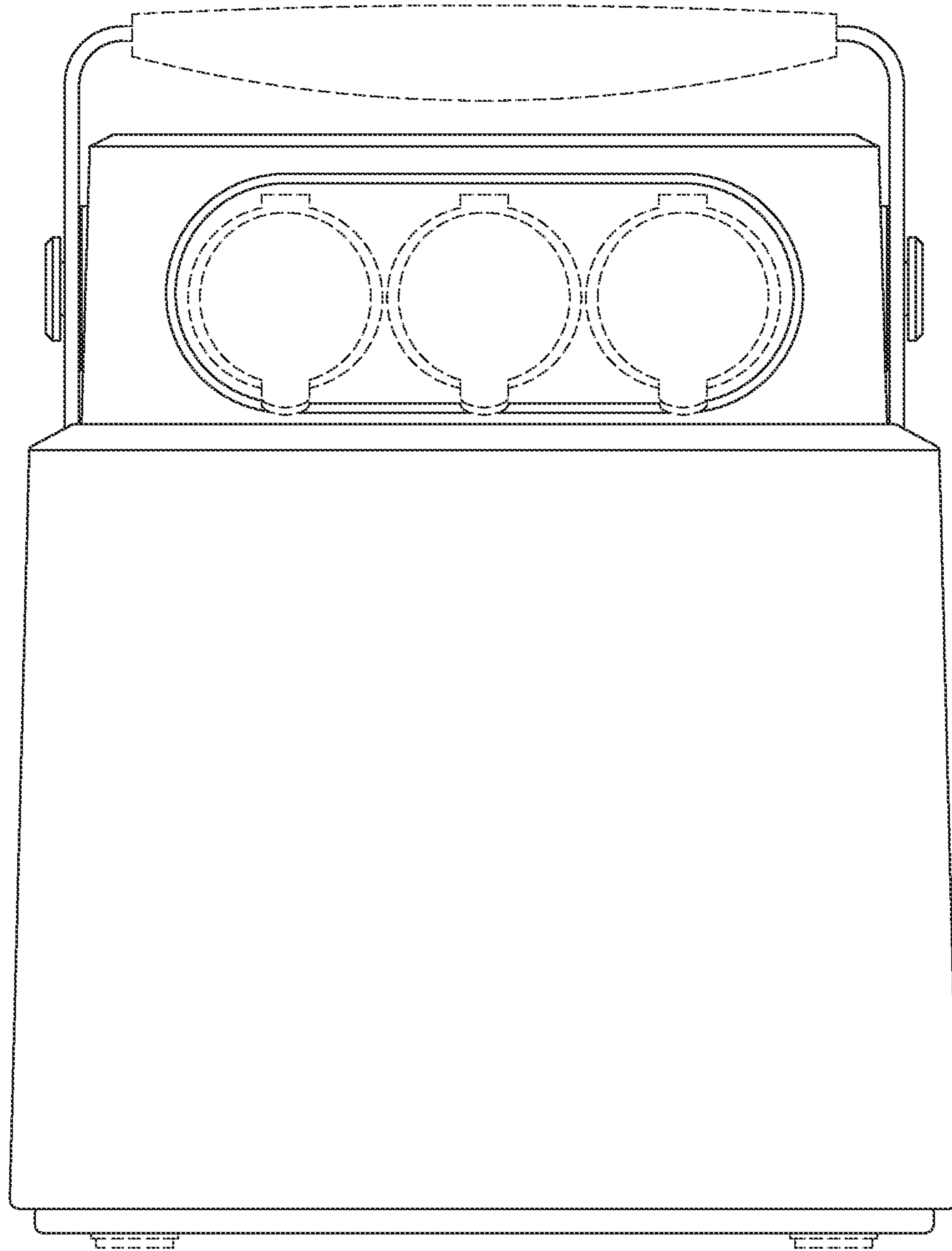


FIG. 4

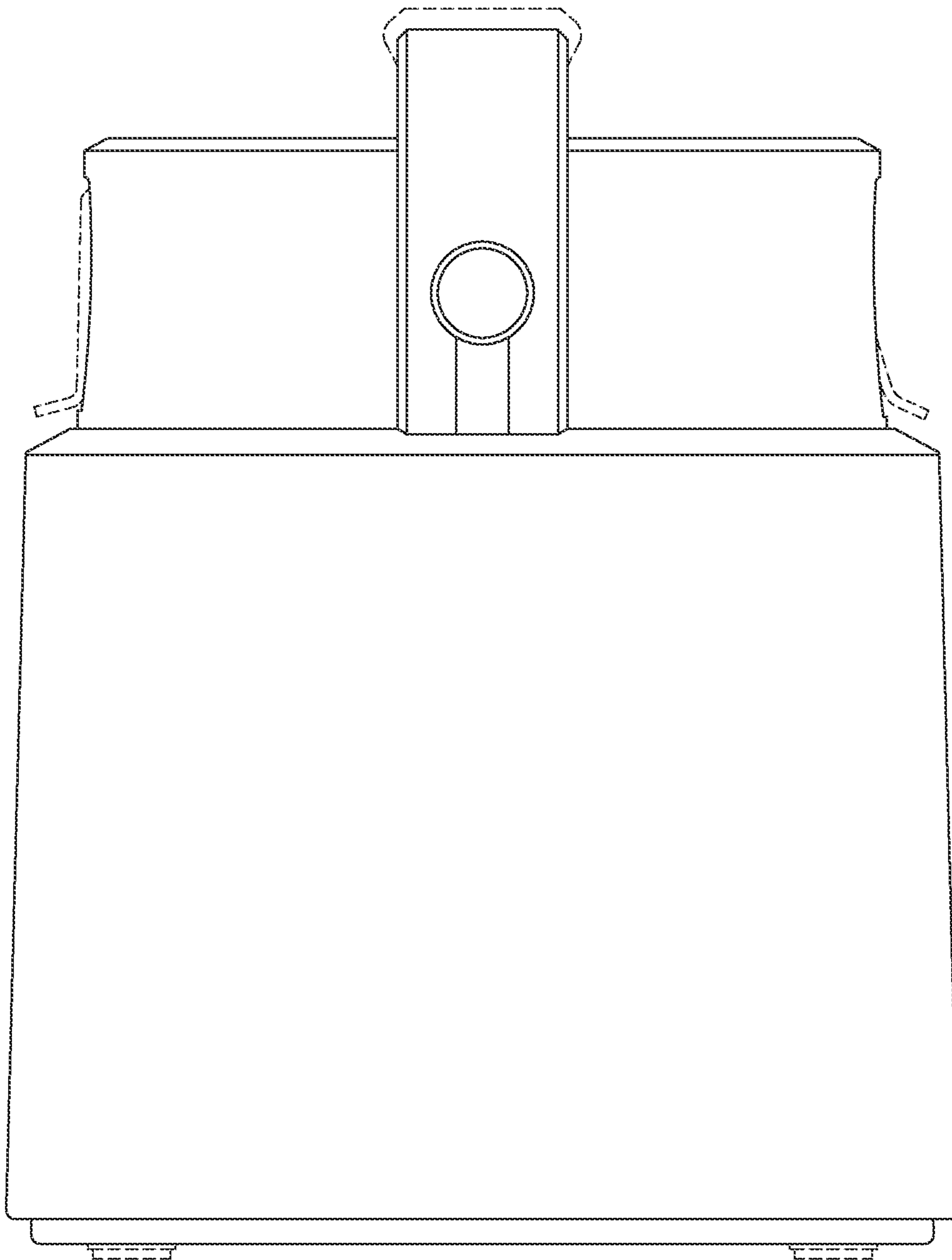


FIG. 5

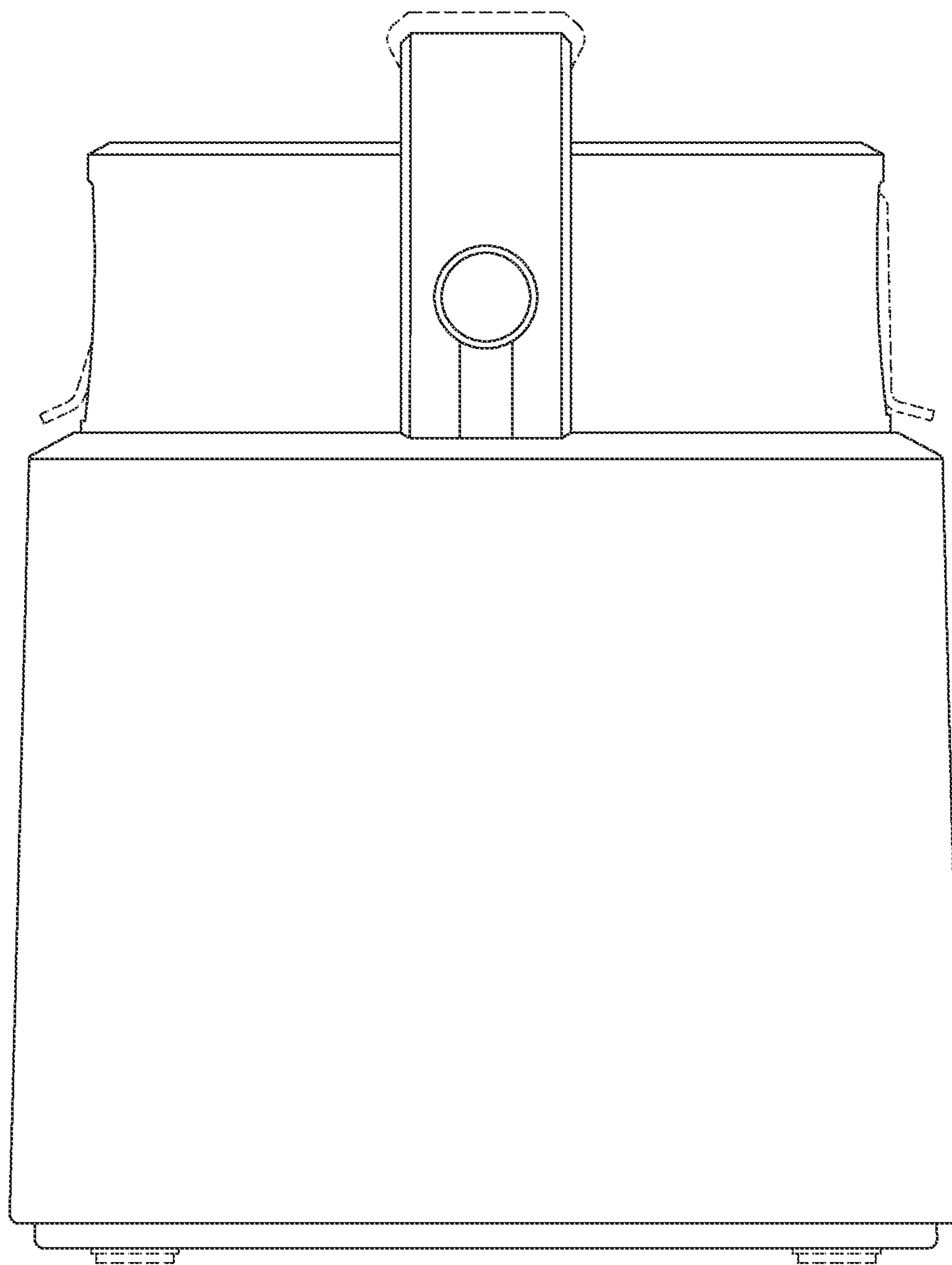


FIG. 6

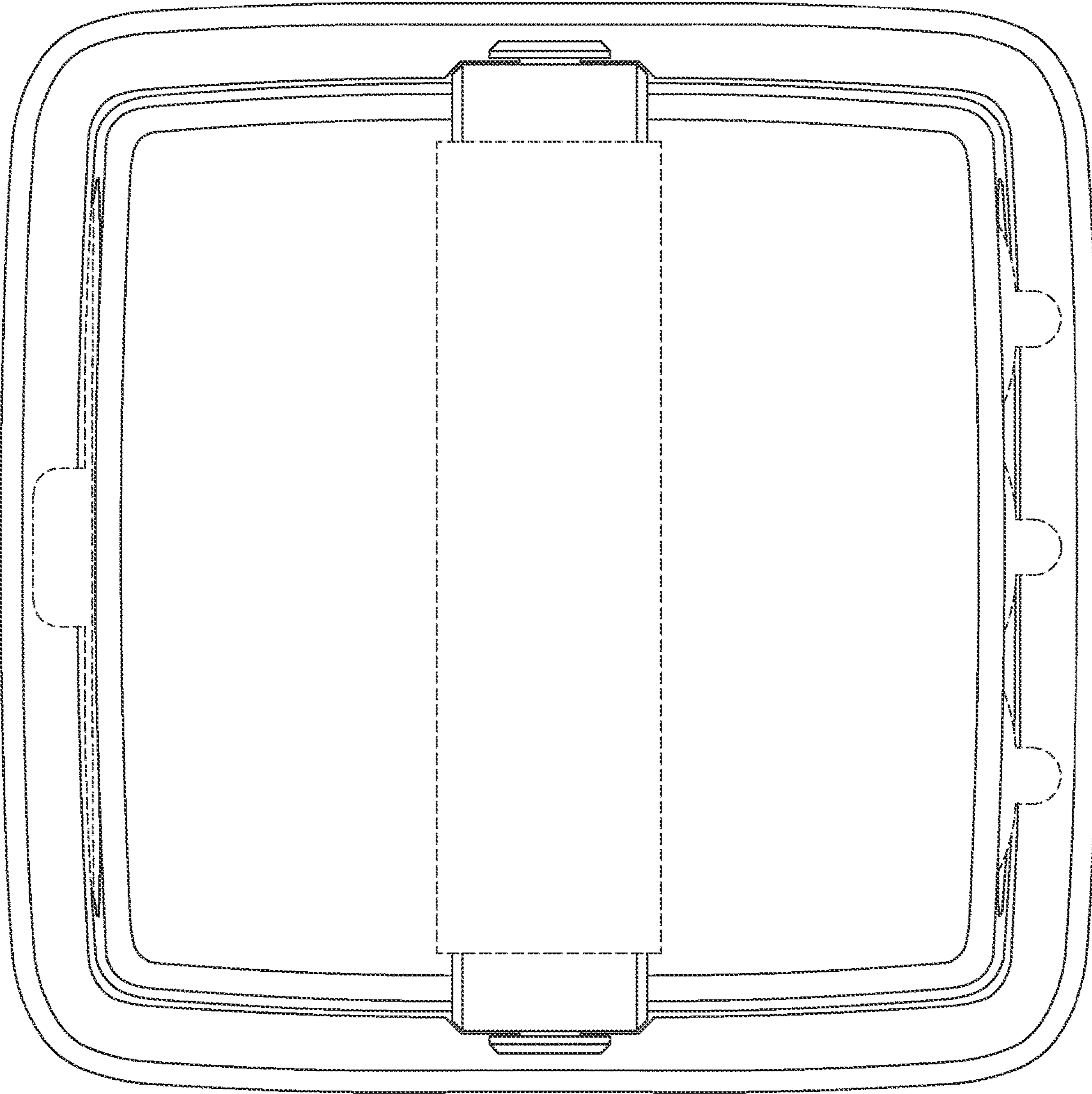


FIG. 7