

US00D946501S

(12) **United States Design Patent**
Aiken et al.

(10) **Patent No.:** **US D946,501 S**
(45) **Date of Patent:** **** Mar. 22, 2022**

- (54) **MOSAIC SOLAR CELL**
- (71) Applicant: **SolAero Technologies Corp.**,
Albuquerque, NM (US)
- (72) Inventors: **Daniel Aiken**, Cedar Crest, NM (US);
Daniel Derkacs, Albuquerque, NM
(US); **Claiborne McPheeters**,
Albuquerque, NM (US)
- (73) Assignee: **SolAero Technologies Corp.**,
Albuquerque, NM (US)

D719,909 S	12/2014	Iwasaki	
9,082,913 B2	7/2015	Karpovich	
9,156,568 B1	10/2015	Spence	
D750,556 S	3/2016	Morad	
9,281,777 B1	3/2016	Borgstrom	
9,394,693 B2	7/2016	Daniels	
D767,484 S	9/2016	Morad	
D778,234 S	2/2017	Cheung	
D784,255 S	4/2017	Steinfeldt	
D785,560 S	5/2017	Aiken	
D807,285 S *	1/2018	Krantz D13/102
D814,402 S	4/2018	Cheung	

(Continued)

- (**) Term: **15 Years**
- (21) Appl. No.: **29/759,485**
- (22) Filed: **Nov. 23, 2020**
- (51) **LOC (13) Cl.** **13-02**
- (52) **U.S. Cl.**
USPC **D13/102**
- (58) **Field of Classification Search**
USPC D10/104.1; D13/101, 102, 103, 107,
D13/109, 118, 119, 184, 199; D14/371,
D14/432, 439, 441, 447, 451; D21/480,
D21/484; D25/109, 140, 144
CPC .. F21S 8/086; F21S 8/088; F21S 9/032; F21S
9/035; H01L 31/042; H01L 31/022425;
H01L 31/18
See application file for complete search history.

(56) **References Cited**
U.S. PATENT DOCUMENTS

4,313,023 A	1/1982	Stephen's
D469,058 S	1/2003	Shugar
D524,727 S	7/2006	Yamashita
D543,501 S	5/2007	Yamashita
D601,087 S	9/2009	Feng
8,205,400 B2	6/2012	Allen
D684,112 S	6/2013	Fallon
8,607,510 B2	12/2013	Daniels

OTHER PUBLICATIONS

Solar Panels. (Design—© Questel) orbit.com. [Online PDF compilation of references selected by examiner] 35 pgs. Print Dates Range Feb. 17, 2020-Nov. 27, 2020 [Retrieved Jan. 5, 2022].*

(Continued)

Primary Examiner — Manpreet S Matharu
Assistant Examiner — Suzanne E Tisdell

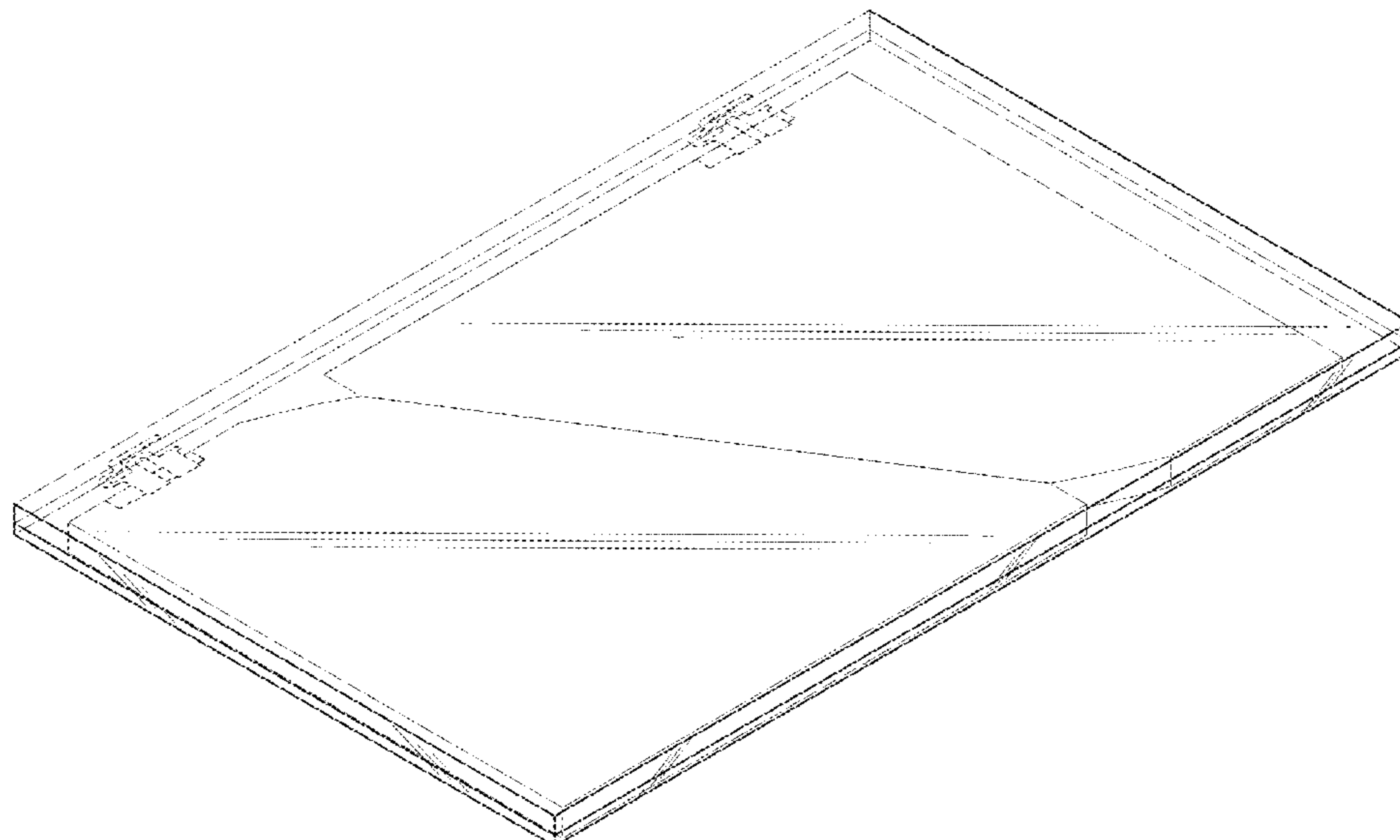
(57) **CLAIM**

The ornamental design for a mosaic solar cell, as shown and described.

DESCRIPTION

FIG. 1 is a top perspective view that illustrates the mosaic solar cell showing our new design; FIG. 2 is a front side elevation view thereof; FIG. 3 is a rear side elevation view thereof; FIG. 4 is a top plan view thereof; FIG. 5 is a bottom plan view thereof; FIG. 6 is a left side elevation view thereof; and, FIG. 7 is a right side elevation view thereof. The broken line portion of the figure drawings is included to show portions of the article that form no part of the claimed design.

1 Claim, 4 Drawing Sheets



(56)

References Cited

U.S. PATENT DOCUMENTS

D817,265 S 5/2018 Liu
 D823,237 S 7/2018 Albright
 D825,451 S * 8/2018 Liu D13/102
 D830,296 S 10/2018 Liu
 D832,203 S 10/2018 Caswell
 D833,969 S * 11/2018 Kojima D13/102
 10,141,885 B2 11/2018 Smadja
 D840,924 S * 2/2019 Bonci D13/102
 D841,571 S 2/2019 Zhou
 D848,363 S * 5/2019 Bai D13/102
 D856,920 S * 8/2019 Wang D13/102
 D857,624 S 8/2019 Katov
 D866,456 S 11/2019 Negley
 10,536,108 B2 1/2020 Goldberg
 D881,803 S * 4/2020 Aiken D13/102
 D881,804 S * 4/2020 Aiken D13/102
 D881,805 S * 4/2020 Podlowski D13/102
 D888,656 S * 6/2020 Aiken D13/102
 D900,017 S 10/2020 Aiken

D908,606 S * 1/2021 Fukui D13/102
 D909,961 S * 2/2021 Persaud D13/102
 D917,380 S * 4/2021 Gao D13/102
 2010/0282293 A1 11/2010 Meyer
 2011/0271999 A1 11/2011 Almogy et al.
 2018/0062011 A1 3/2018 Crist

OTHER PUBLICATIONS

Johnson, Scott K. Solar panel recycling has a long way to go and silicon may be the key. Jul. 15, 2020. Ars Technica. <https://arstechnica.com/science/2020/07/solar-panel-recycling-has-a-long-way-to-go-and-silicon-may-be-the-key/>.*

Svarc, Jason. Solar Panel Construction. Mar. 20, 2020. Clean Energy Reviews, <https://www.cleanenergyreviews.info/blog/solar-panel-components-construction>.*

https://www.koreatimes.co.kr/www/nation/2020/08/371_294244.htmlDong-Hwan, Ko. Korea's battle with spent solar panels heats up. Aug. 12, 2020. Korea Times.*

* cited by examiner

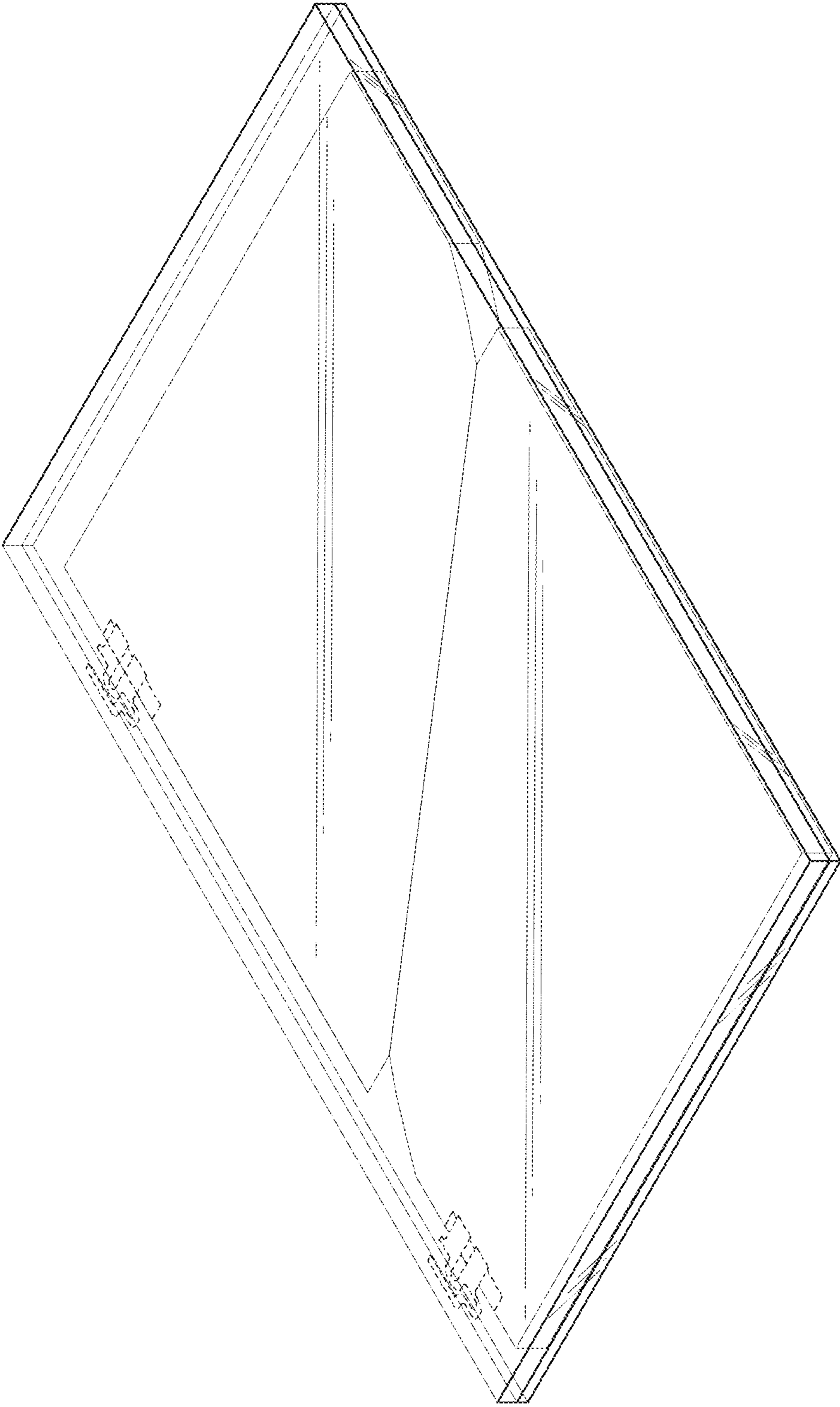


FIG. 1

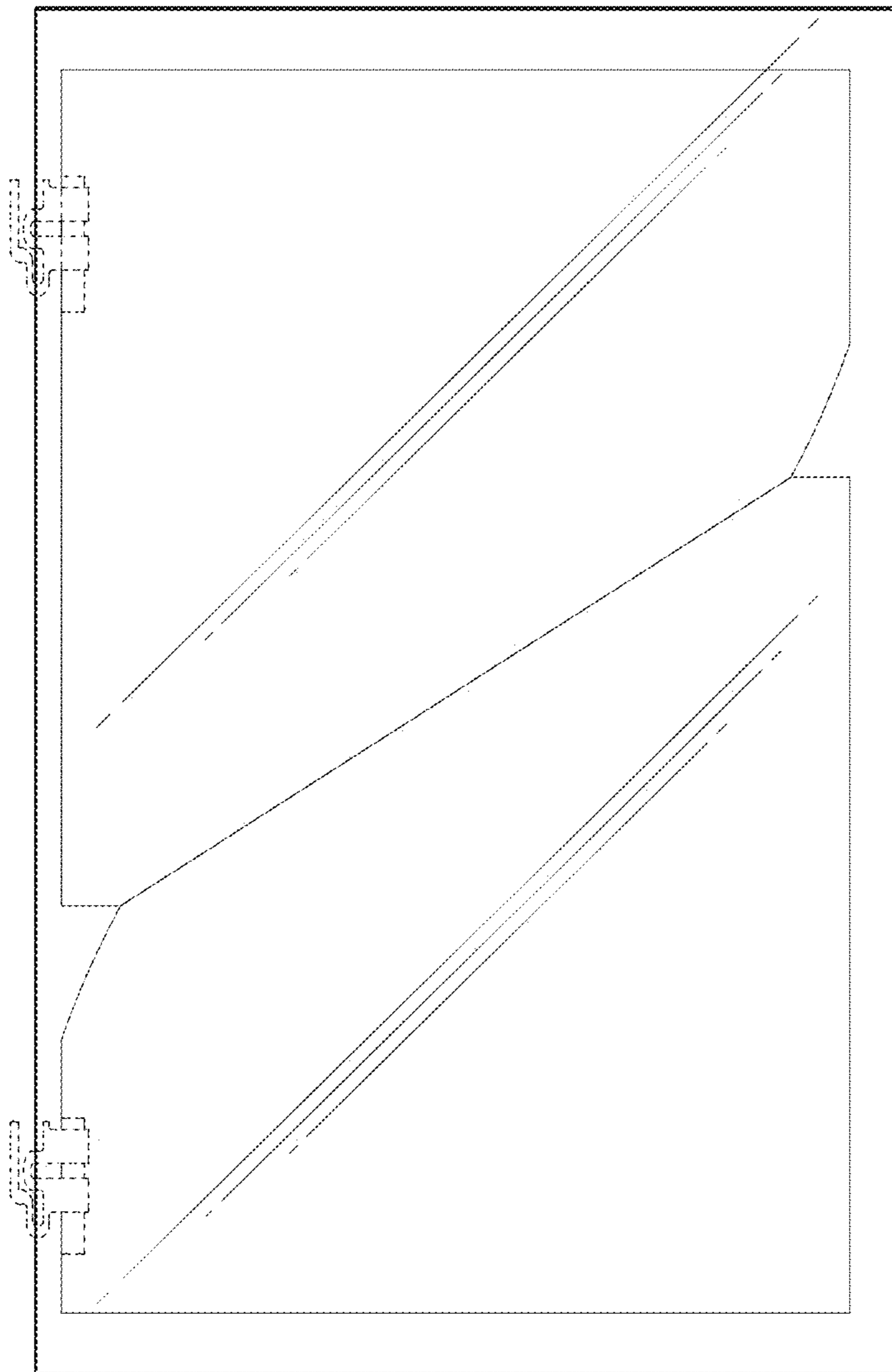


FIG. 2

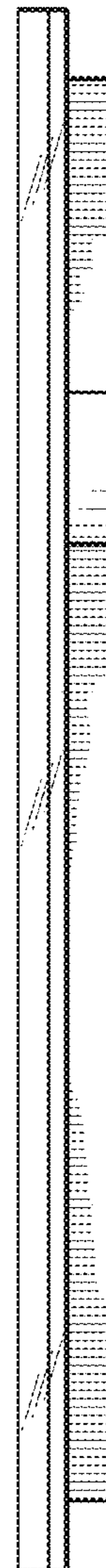


FIG. 3

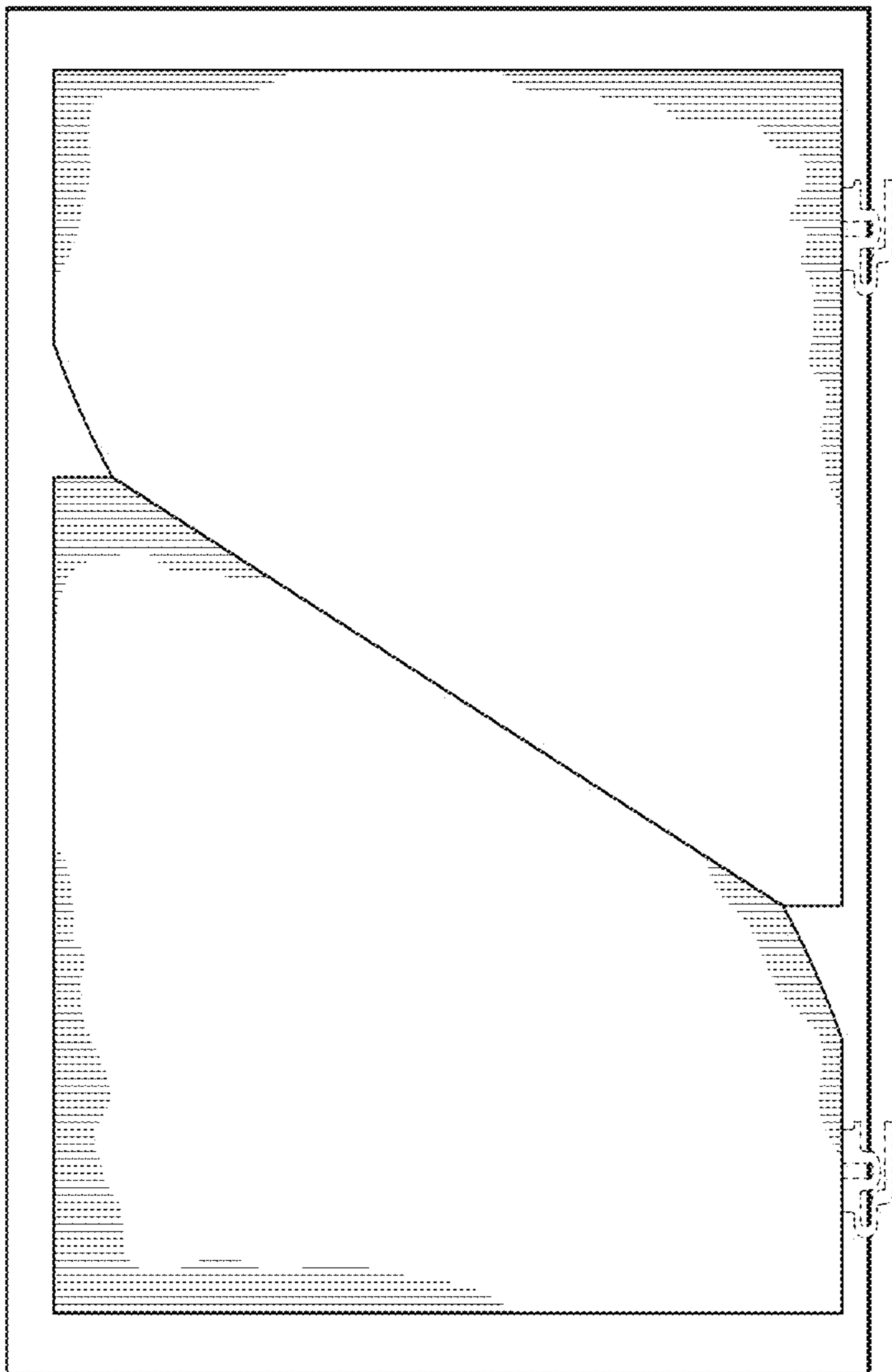


FIG. 4

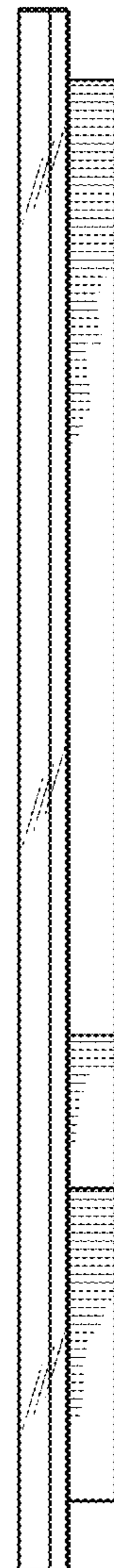


FIG. 5

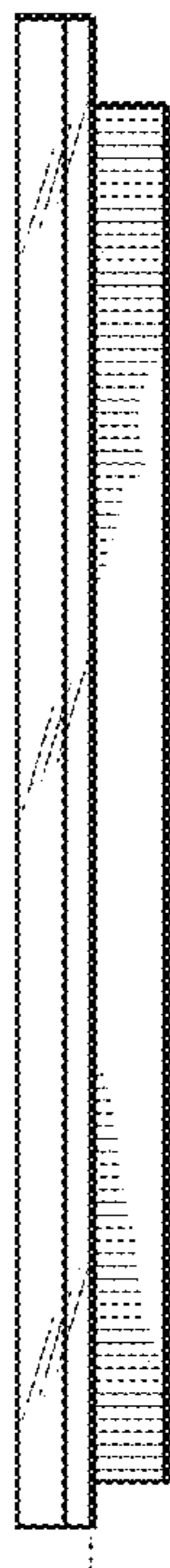


FIG. 6



FIG. 7