



US00D946494S

(12) **United States Design Patent**
Huang

(10) **Patent No.:** **US D946,494 S**

(45) **Date of Patent:** **** Mar. 22, 2022**

(54) **CAR SHELVING**

(71) Applicant: **Guangzhou Huanganna Trading Co., Ltd.**, Guangzhou (CN)

(72) Inventor: **Jiajia Huang**, Shantou (CN)

(73) Assignee: **Guangzhou Huanganna Trading Co., Ltd.**, Guangzhou (CN)

(**) Term: **15 Years**

(21) Appl. No.: **29/799,783**

(22) Filed: **Jul. 16, 2021**

(51) **LOC (13) Cl.** **12-16**

(52) **U.S. Cl.**
USPC **D12/425**

(58) **Field of Classification Search**
USPC D12/425, 400, 406, 415-420, 424.426
CPC B63B 25/00; B63B 7/085; B63B 35/00;
B63B 17/00; B60R 16/04
See application file for complete search history.

(56) **References Cited**

U.S. PATENT DOCUMENTS

D486,121 S	2/2004	Bergh et al.	
D618,158 S *	6/2010	Scoley	D12/345
D743,326 S *	11/2015	Keller	D12/425
D821,959 S	7/2018	Baker	
D842,219 S *	3/2019	Konduri	D12/425
D846,482 S *	4/2019	Wu	D12/425

D867,970 S	4/2019	Wu	
D867,971 S *	11/2019	Baker	D12/425
D884,578 S *	5/2020	Guo	D12/425
D912,608 S *	3/2021	Chen	D12/425
D916,647 S *	4/2021	Chen	D12/425
D922,935 S *	6/2021	Guo	D12/425
D932,420 S *	10/2021	Bruni	D12/425
D935,381 S *	11/2021	Chen	D12/425
D940,057 S *	1/2022	Guo	D12/425

* cited by examiner

Primary Examiner — Katrina A Betton

(74) *Attorney, Agent, or Firm* — Jinggao Li

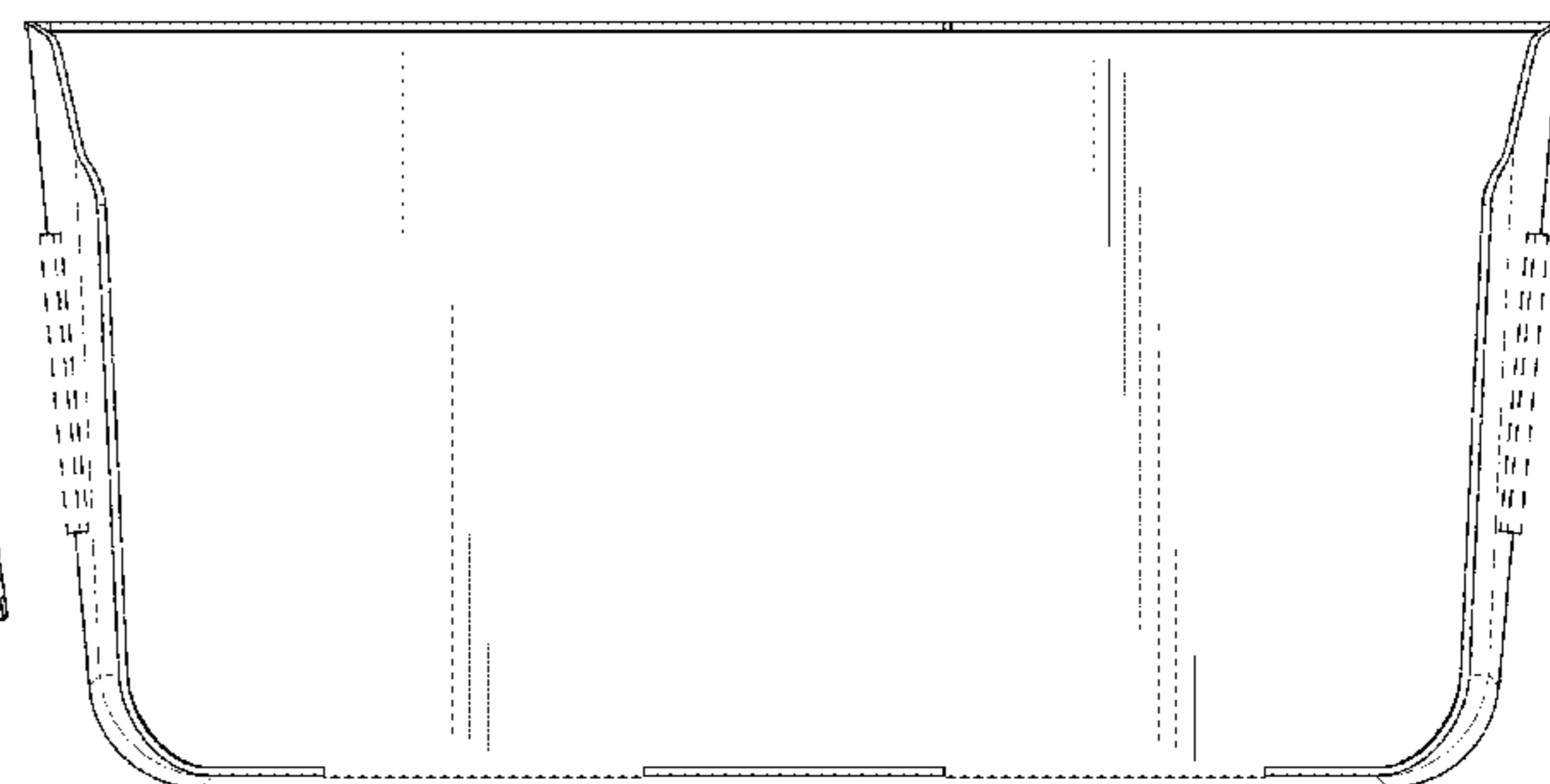
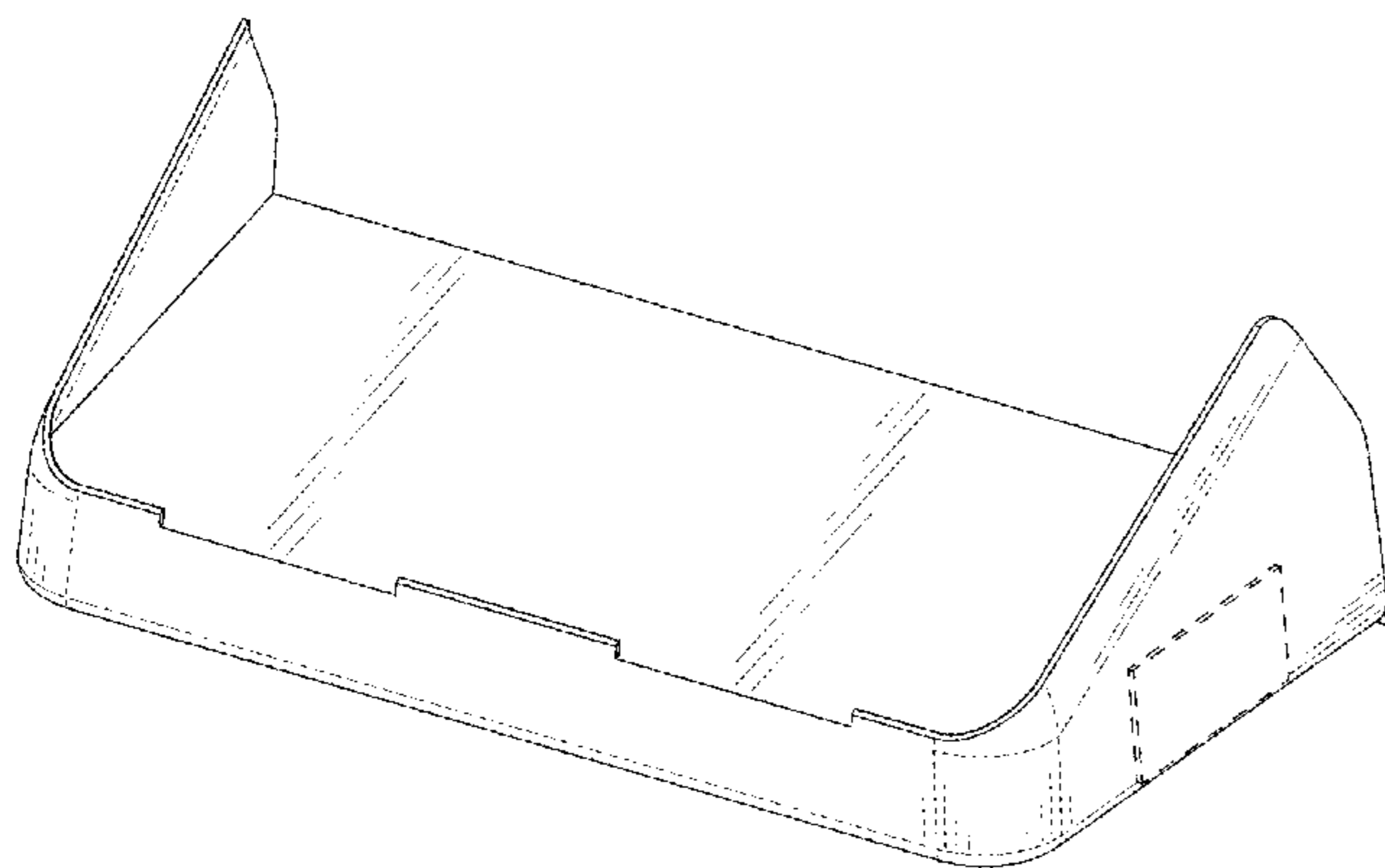
(57) **CLAIM**

The ornamental design for a car shelving, as shown and described.

DESCRIPTION

FIG. 1 is a perspective view of a car shelving showing my new design;
FIG. 2 is another perspective view thereof;
FIG. 3 is a front view thereof;
FIG. 4 is a rear view thereof;
FIG. 5 is a left side view thereof;
FIG. 6 is a right side view thereof;
FIG. 7 is a top plan view thereof; and,
FIG. 8 is a bottom plan view thereof.
The broken lines depict portions of the car shelving and form no part of the claimed design.

1 Claim, 8 Drawing Sheets



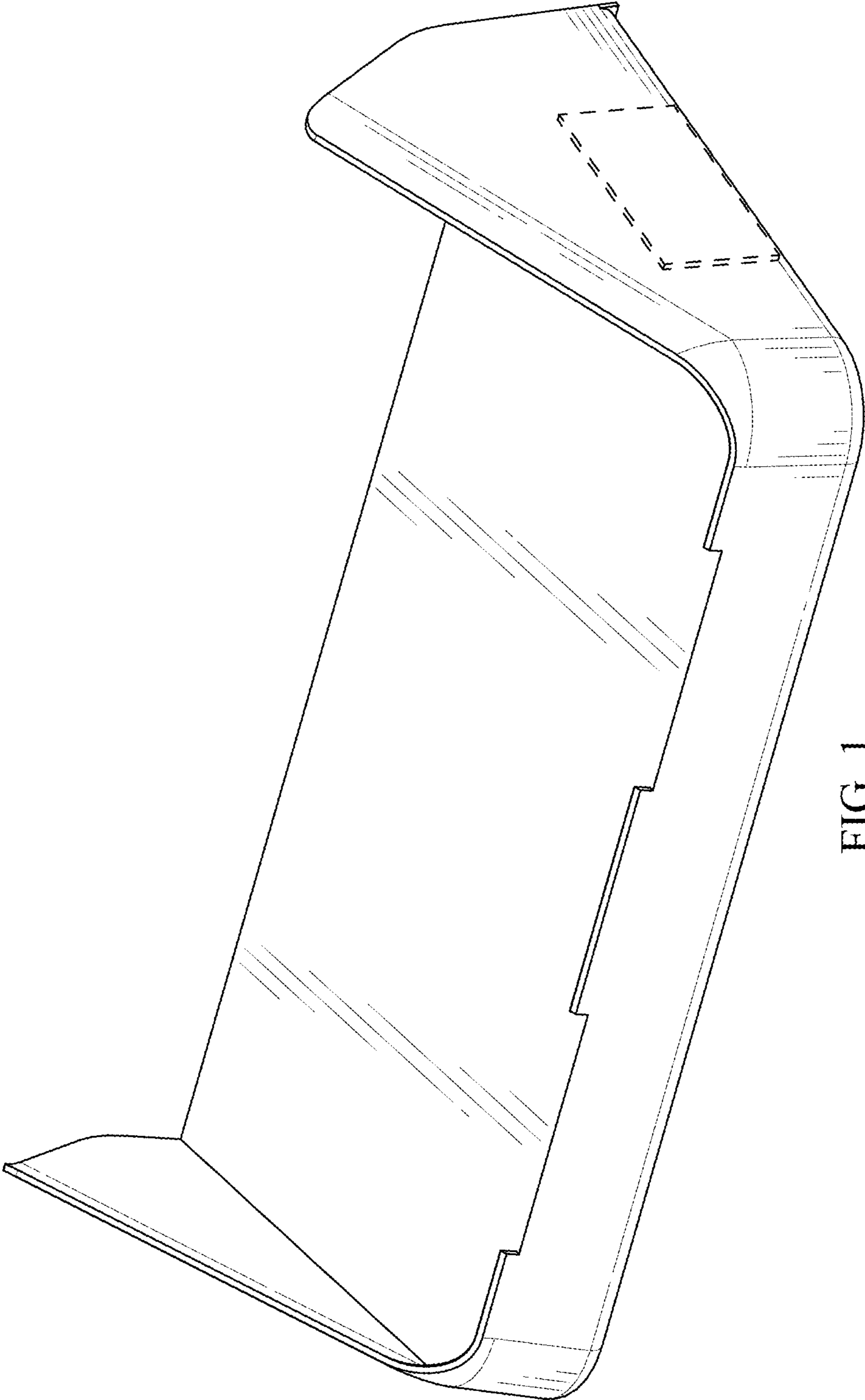


FIG. 1

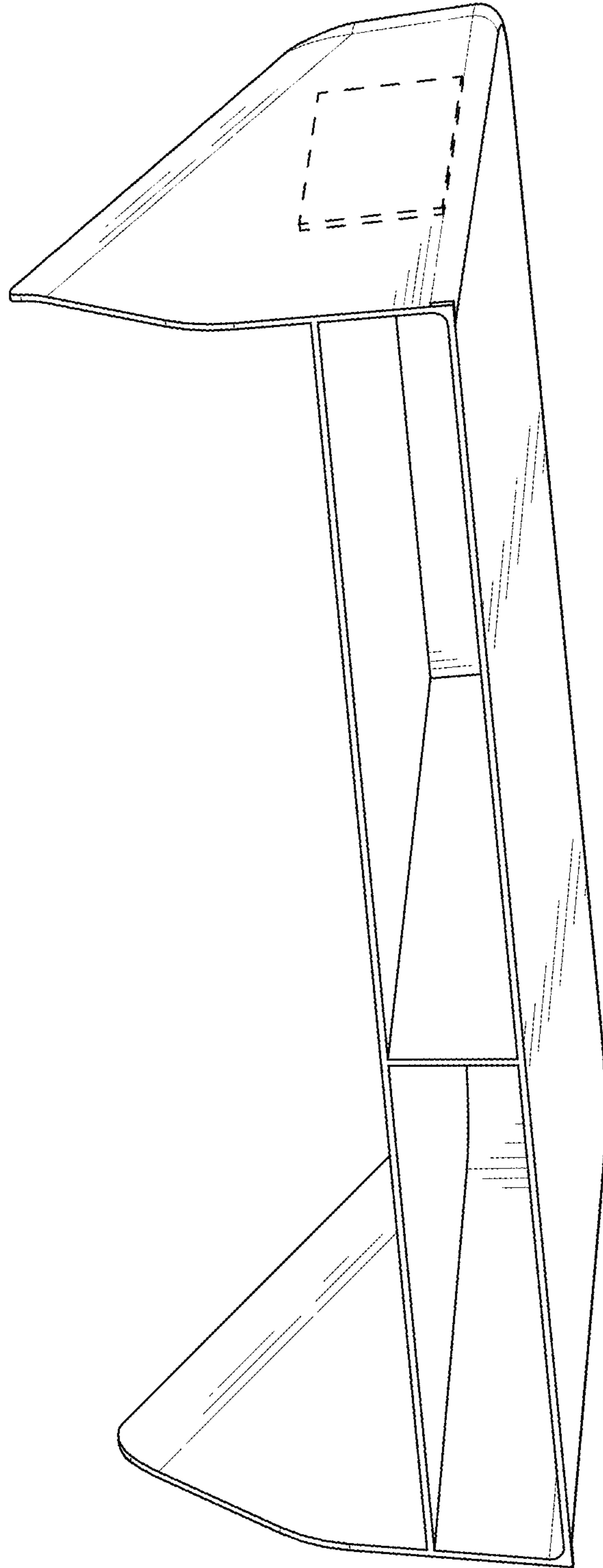


FIG. 2

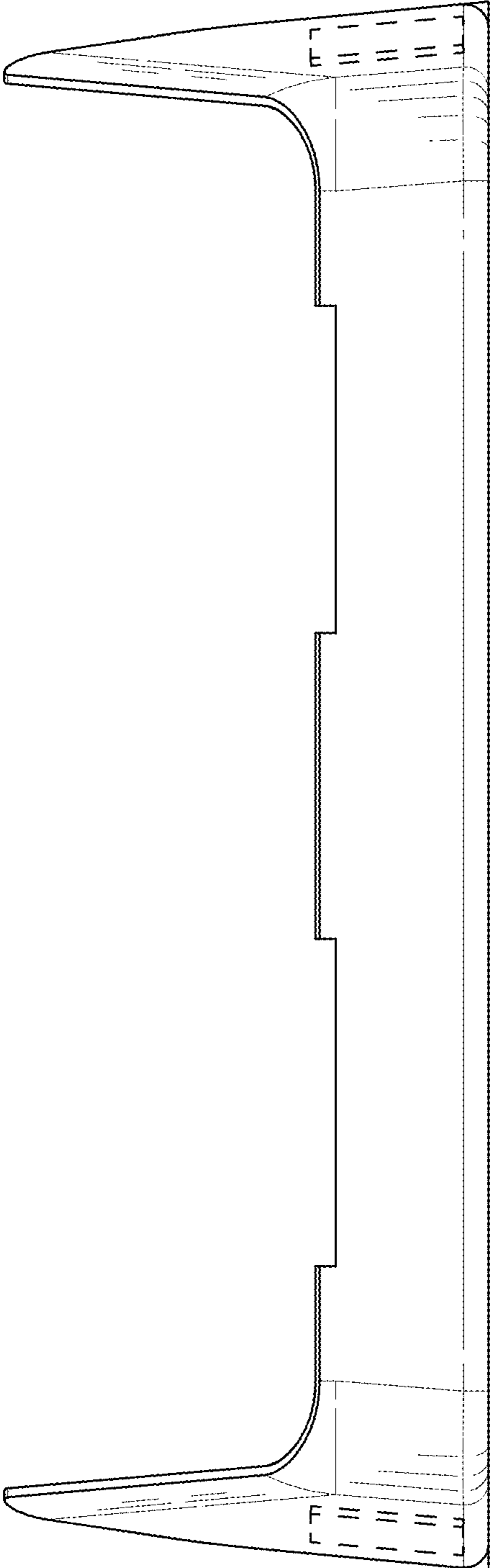


FIG. 3

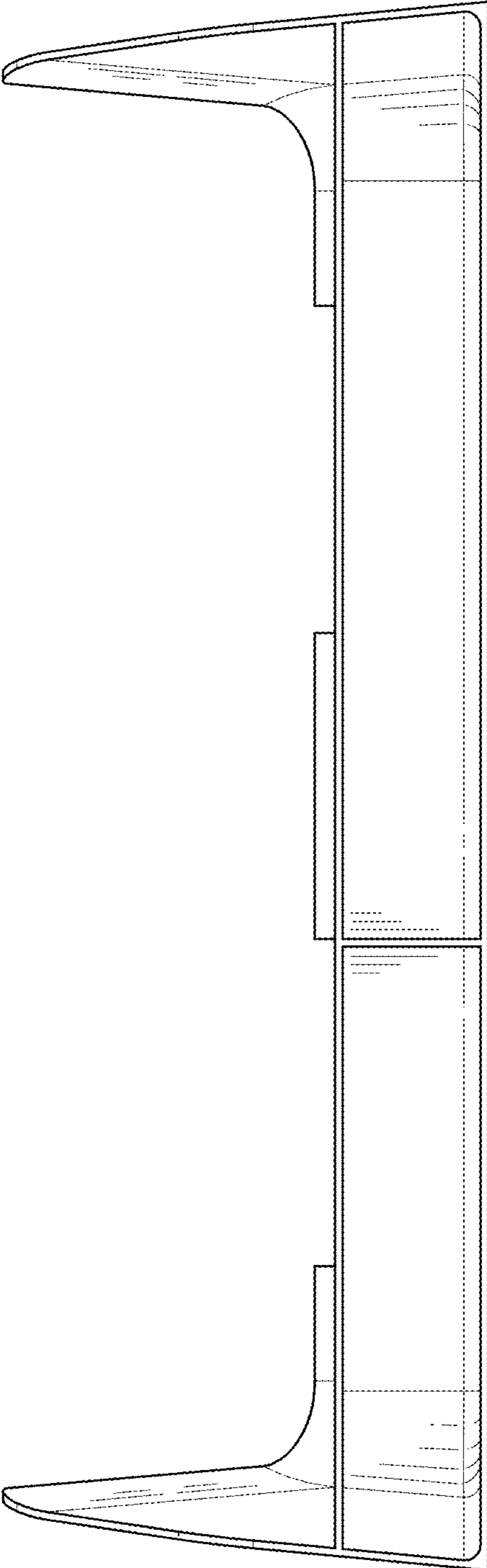


FIG. 4

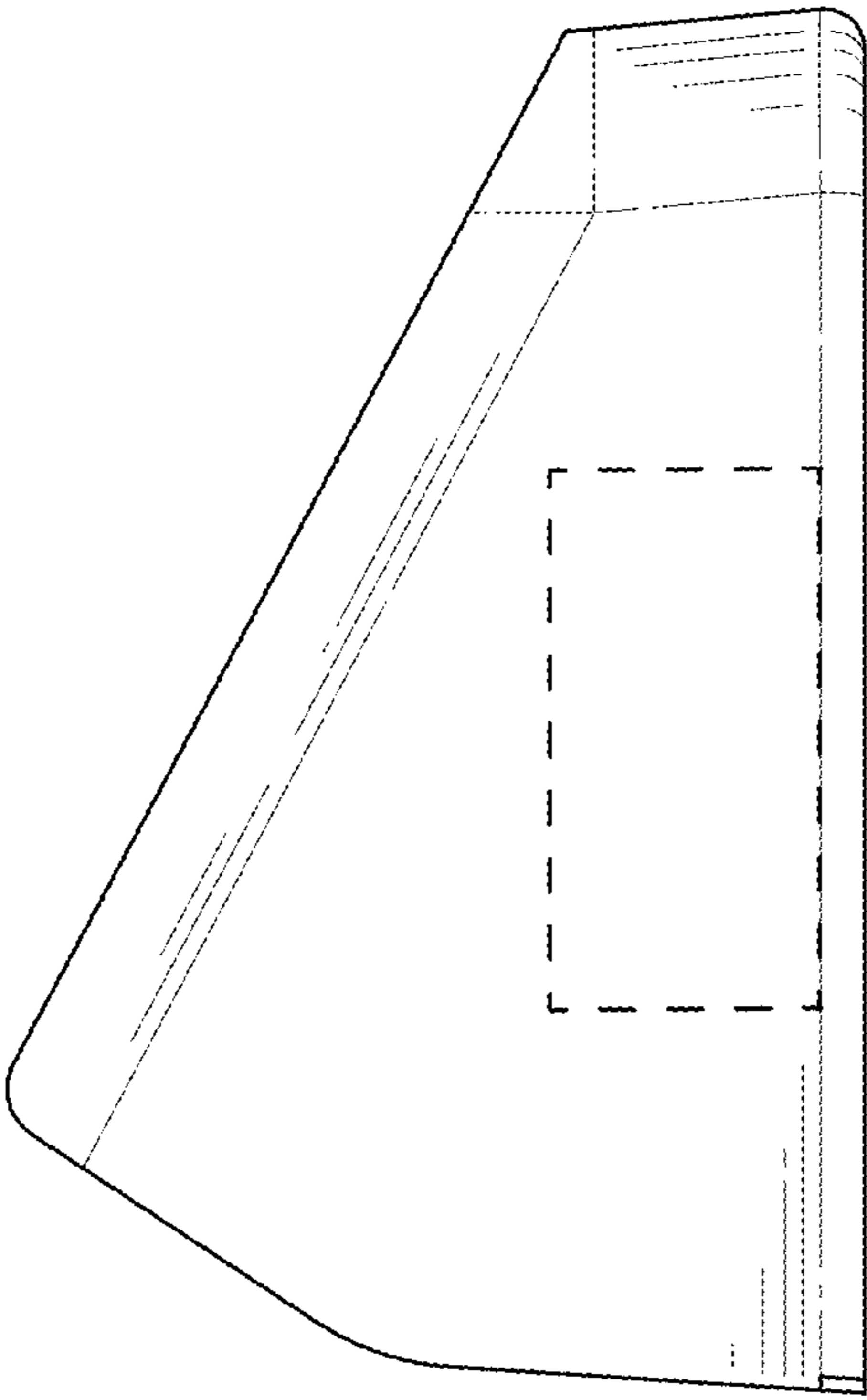


FIG. 5

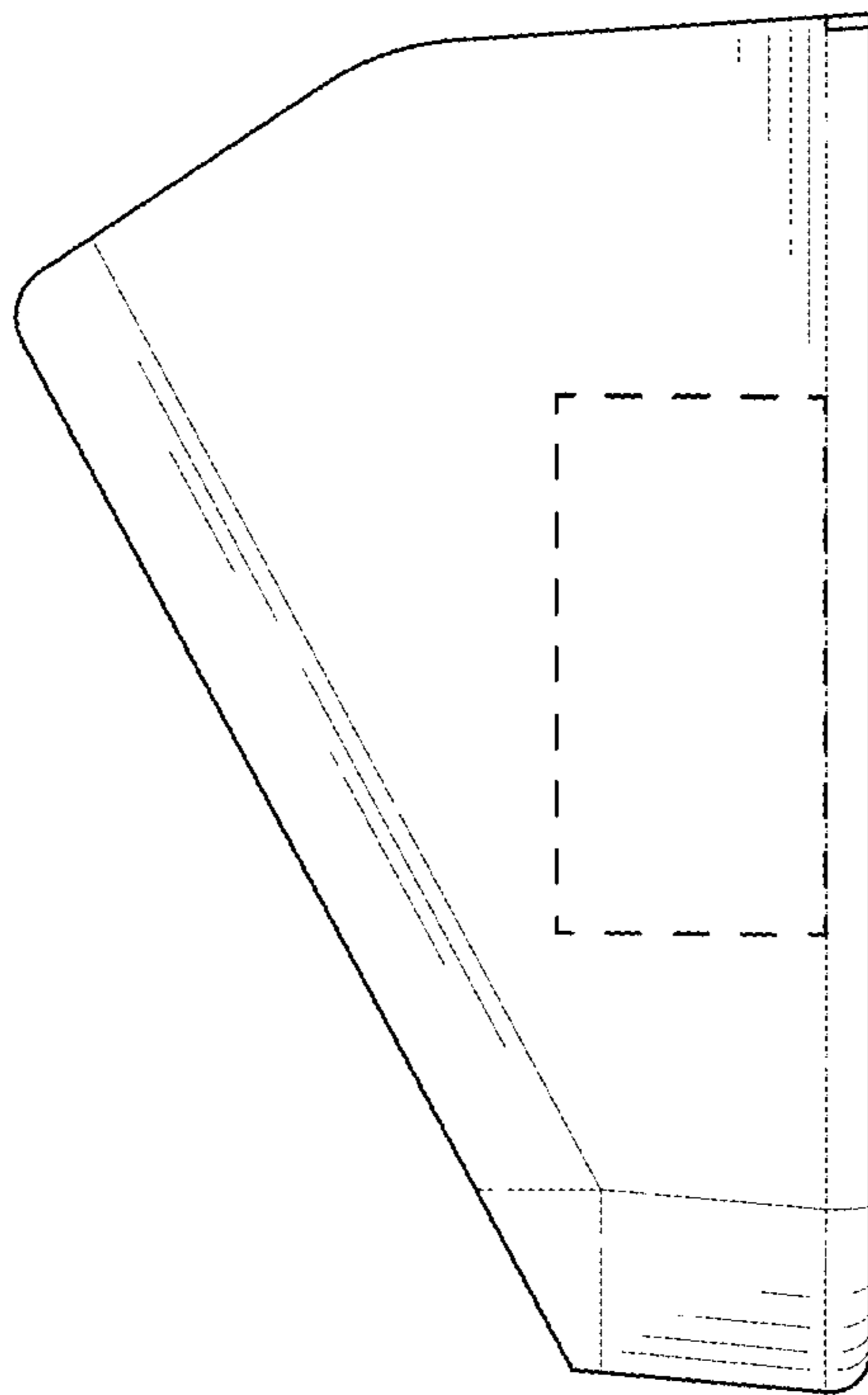


FIG. 6

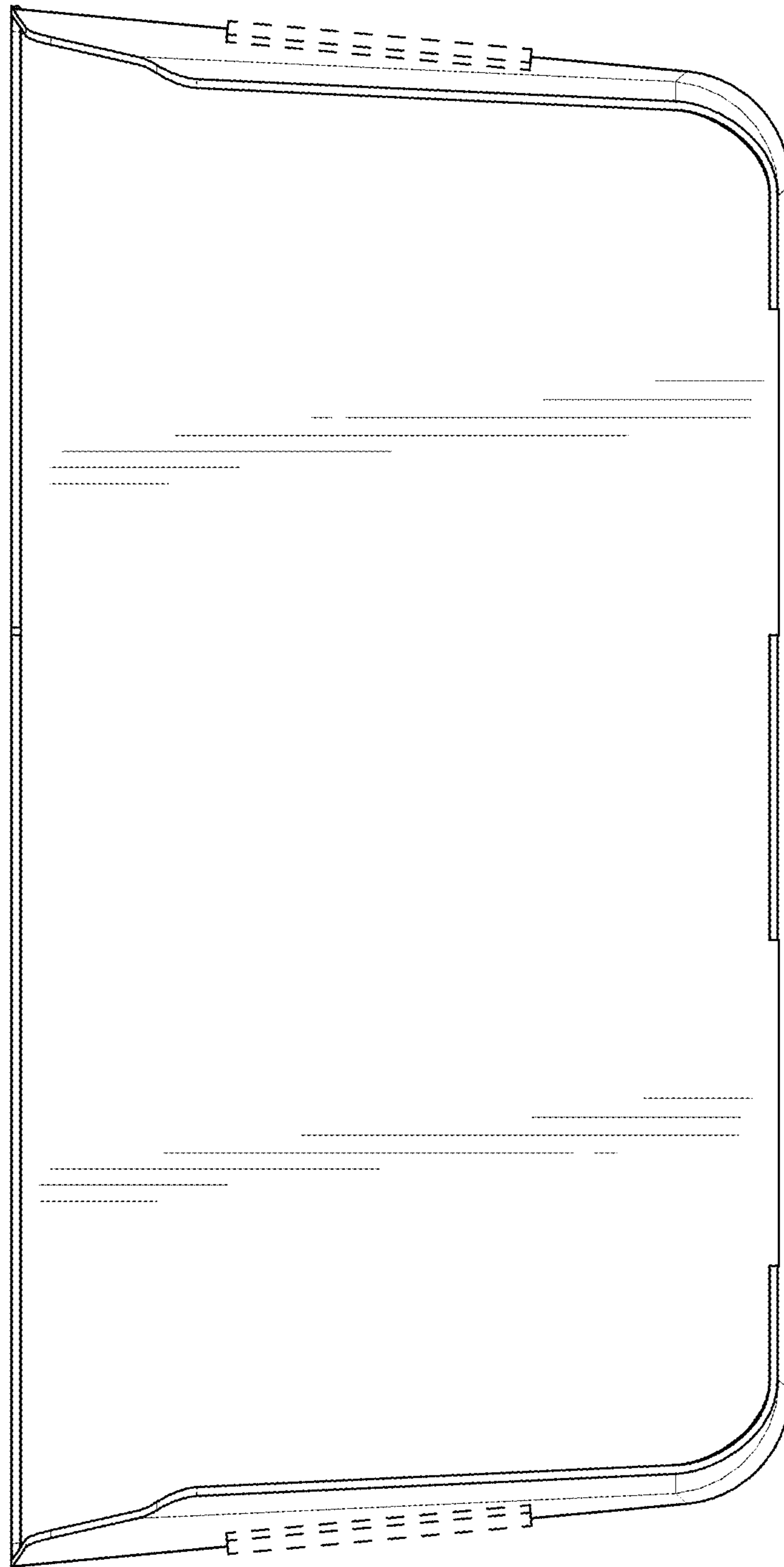


FIG. 7

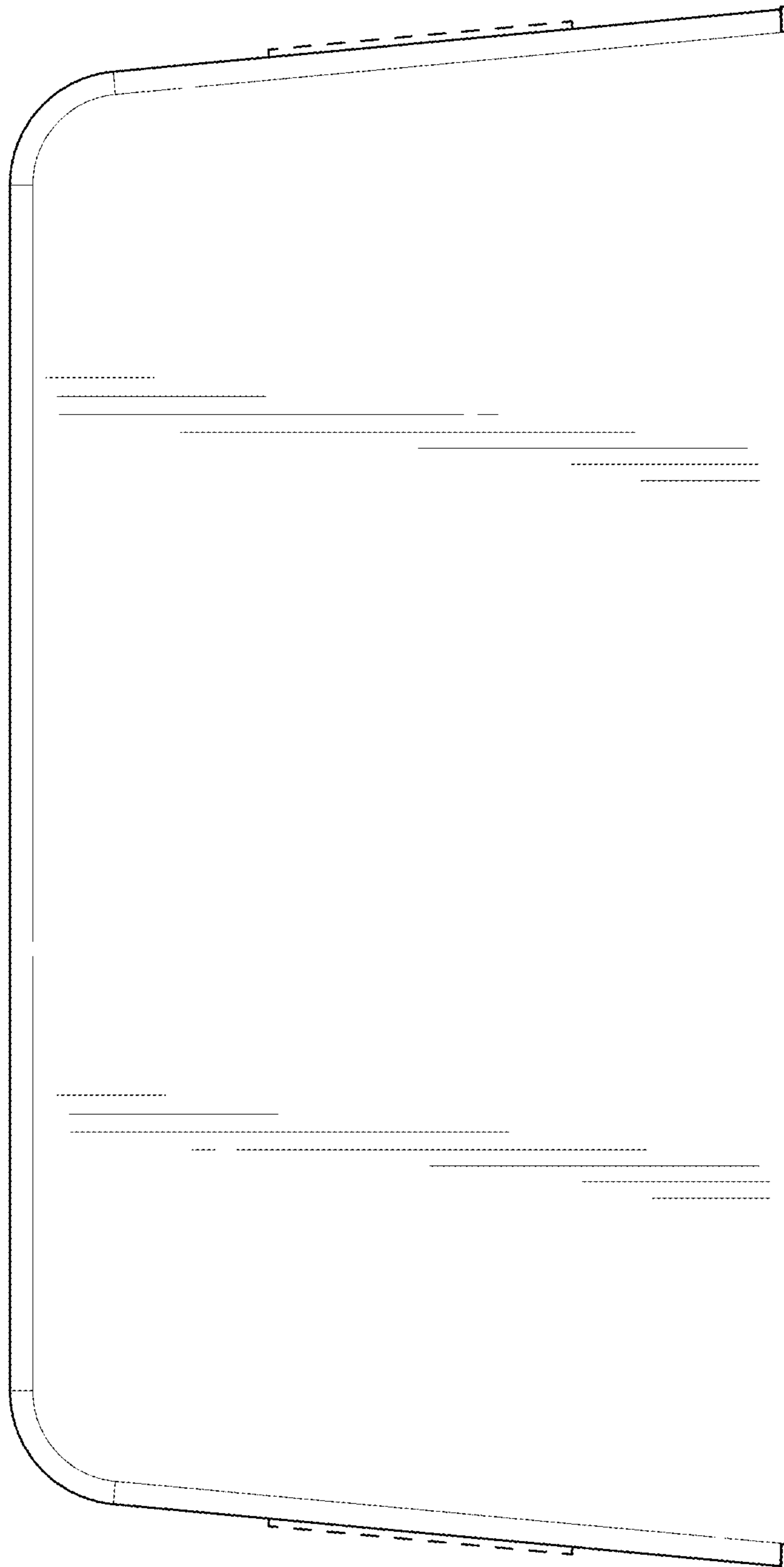


FIG. 8