



US00D946493S

(12) **United States Design Patent**
Huang

(10) **Patent No.:** **US D946,493 S**

(45) **Date of Patent:** **** Mar. 22, 2022**

- (54) **IN-CAR STORAGE BOX**
- (71) Applicant: **Guangzhou Huanganna Trading Co., Ltd.**, Guangzhou (CN)
- (72) Inventor: **Jiajia Huang**, Shantou (CN)
- (73) Assignee: **Guangzhou Huanganna Trading Co., Ltd.**, Guangzhou (CN)

D842,219 S *	3/2019	Konduri	D12/425
D846,482 S *	4/2019	Wu	D12/425
D867,970 S	4/2019	Wu		
D867,971 S *	11/2019	Baker	D12/425
D884,578 S *	5/2020	Guo	D12/425
D912,608 S *	3/2021	Chen	D12/425
D916,647 S *	4/2021	Chen	D12/425
D922,935 S *	6/2021	Guo	D12/425
D932,420 S *	10/2021	Bruni	D12/425
D935,381 S *	11/2021	Chen	D12/425
D940,057 S *	1/2022	Guo	D12/425

(**) Term: **15 Years**

* cited by examiner

(21) Appl. No.: **29/784,141**

Primary Examiner — Katrina A Betton

(22) Filed: **May 18, 2021**

(74) *Attorney, Agent, or Firm* — Jinggao Li

(51) **LOC (13) Cl.** **12-16**

(52) **U.S. Cl.**
USPC **D12/425**

(58) **Field of Classification Search**
USPC D12/425, 400, 406, 415-420, 424.426
CPC B63B 25/00; B63B 7/085; B63B 35/00;
B63B 17/00; B60R 16/04
See application file for complete search history.

(57) **CLAIM**

The ornamental design for an in-car storage box, as shown and described.

DESCRIPTION

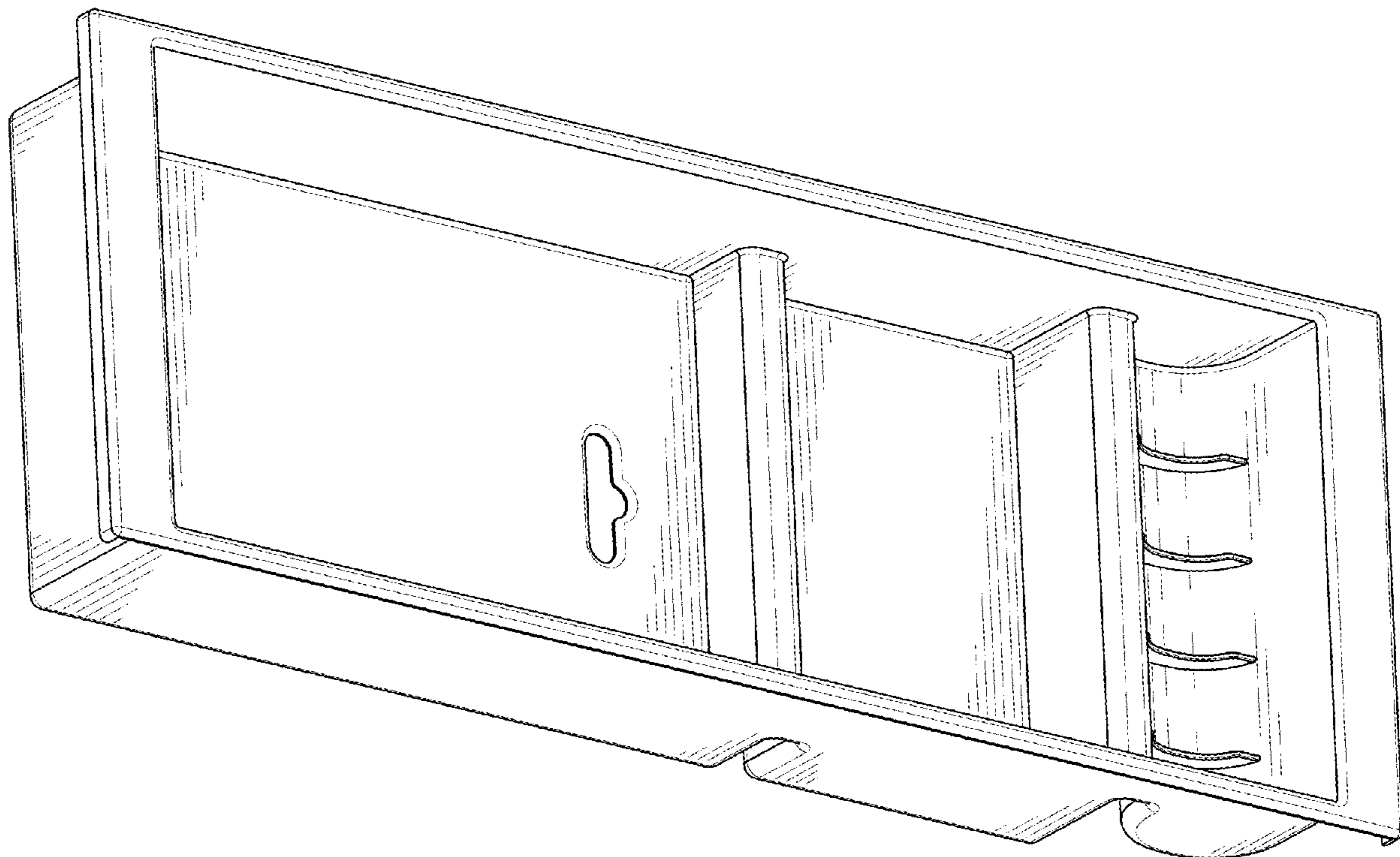
FIG. 1 is a perspective view of an in-car storage box showing my new design;
FIG. 2 is another perspective view thereof;
FIG. 3 is a front view thereof;
FIG. 4 is a rear view thereof;
FIG. 5 is a left side view thereof;
FIG. 6 is a right side view thereof;
FIG. 7 is a top plan view thereof; and,
FIG. 8 is a bottom plan view thereof.

(56) **References Cited**

U.S. PATENT DOCUMENTS

D486,121 S	2/2004	Bergh et al.	
D618,158 S *	6/2010	Scoley D12/345
D743,326 S *	11/2015	Keller D12/425
D821,959 S	7/2018	Baker	

1 Claim, 8 Drawing Sheets



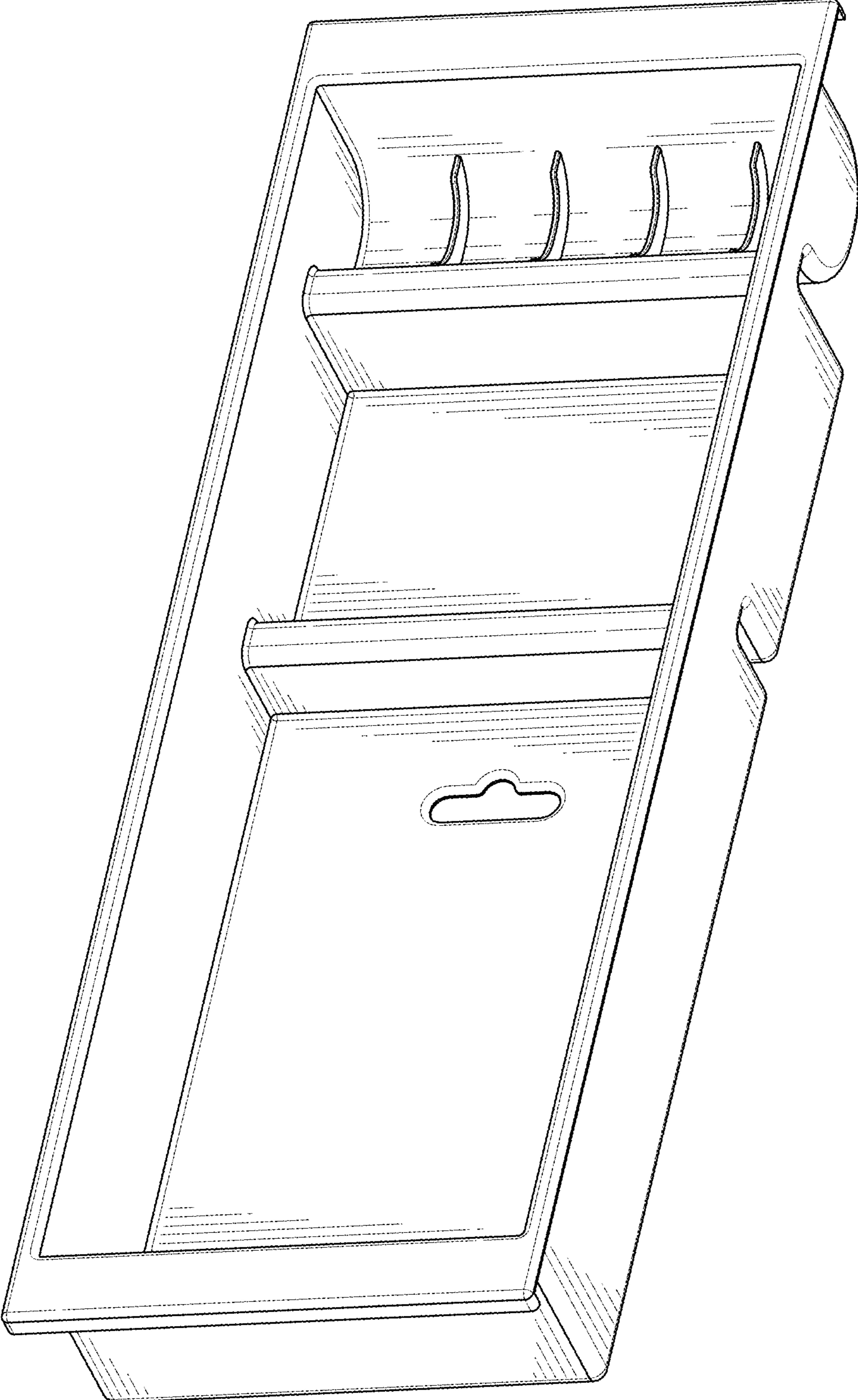


FIG. 1

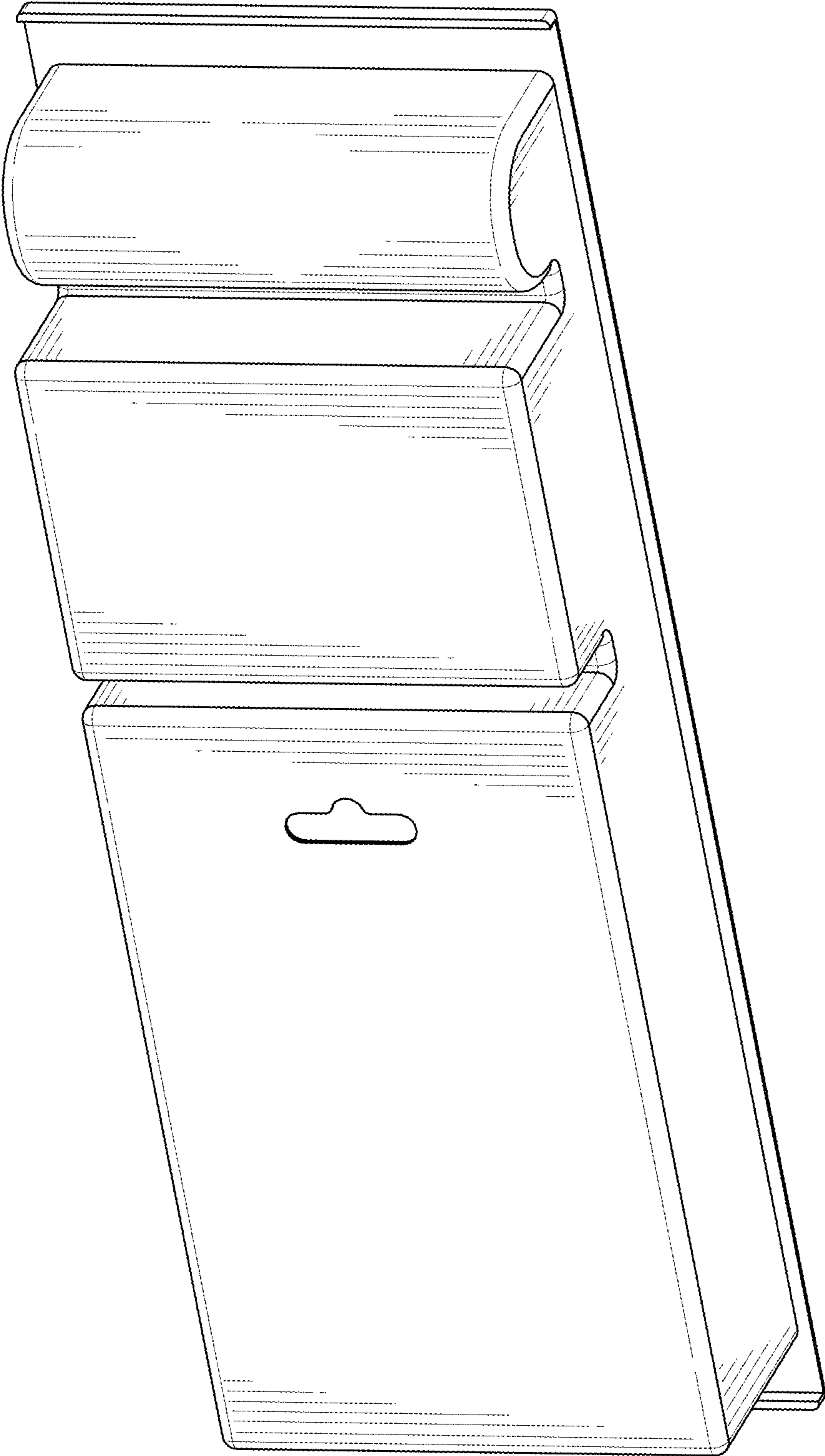


FIG. 2

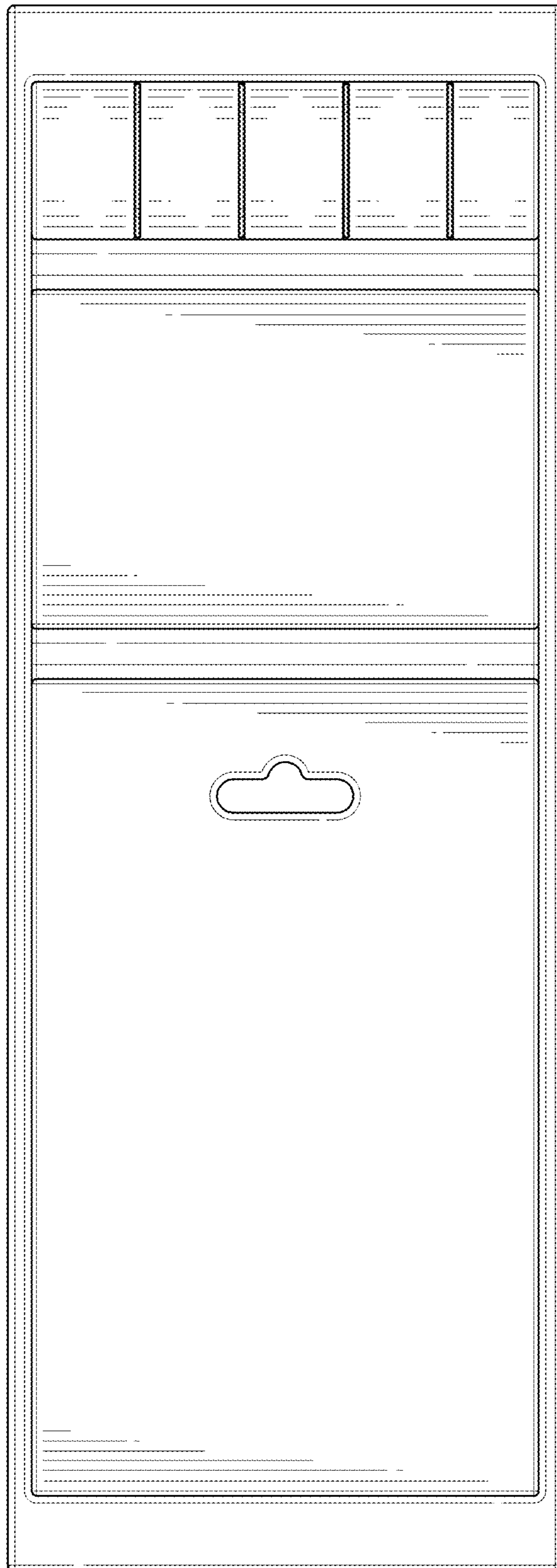


FIG. 3

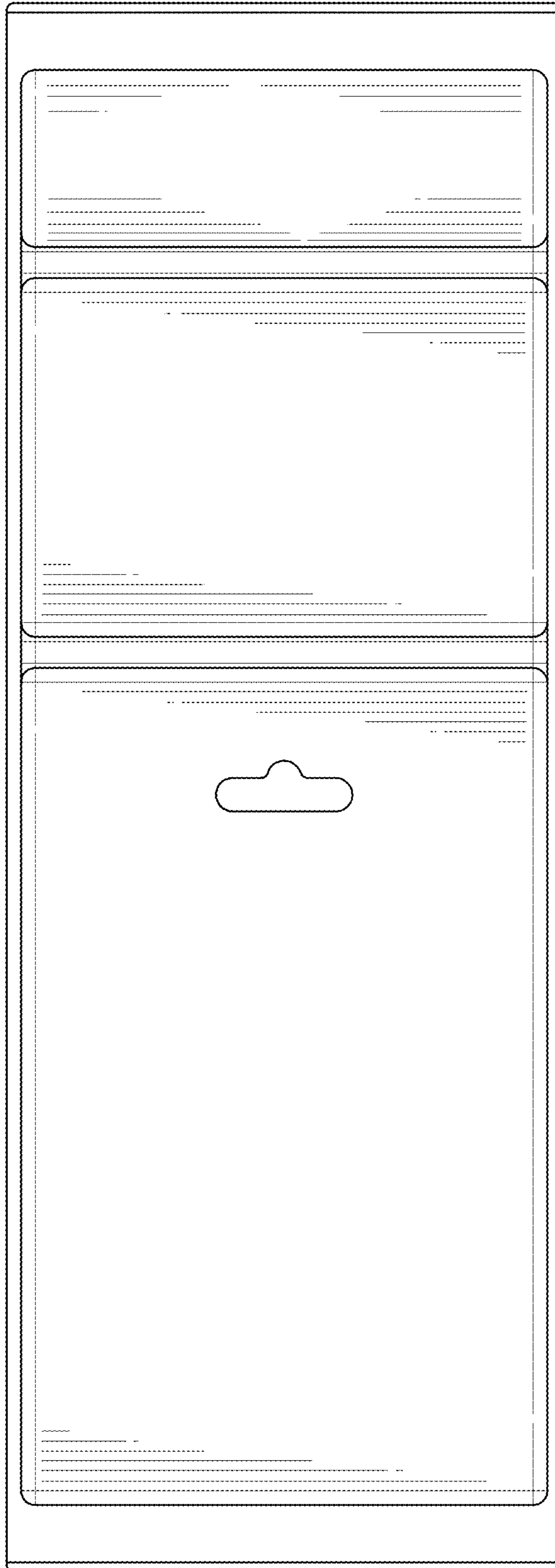


FIG. 4

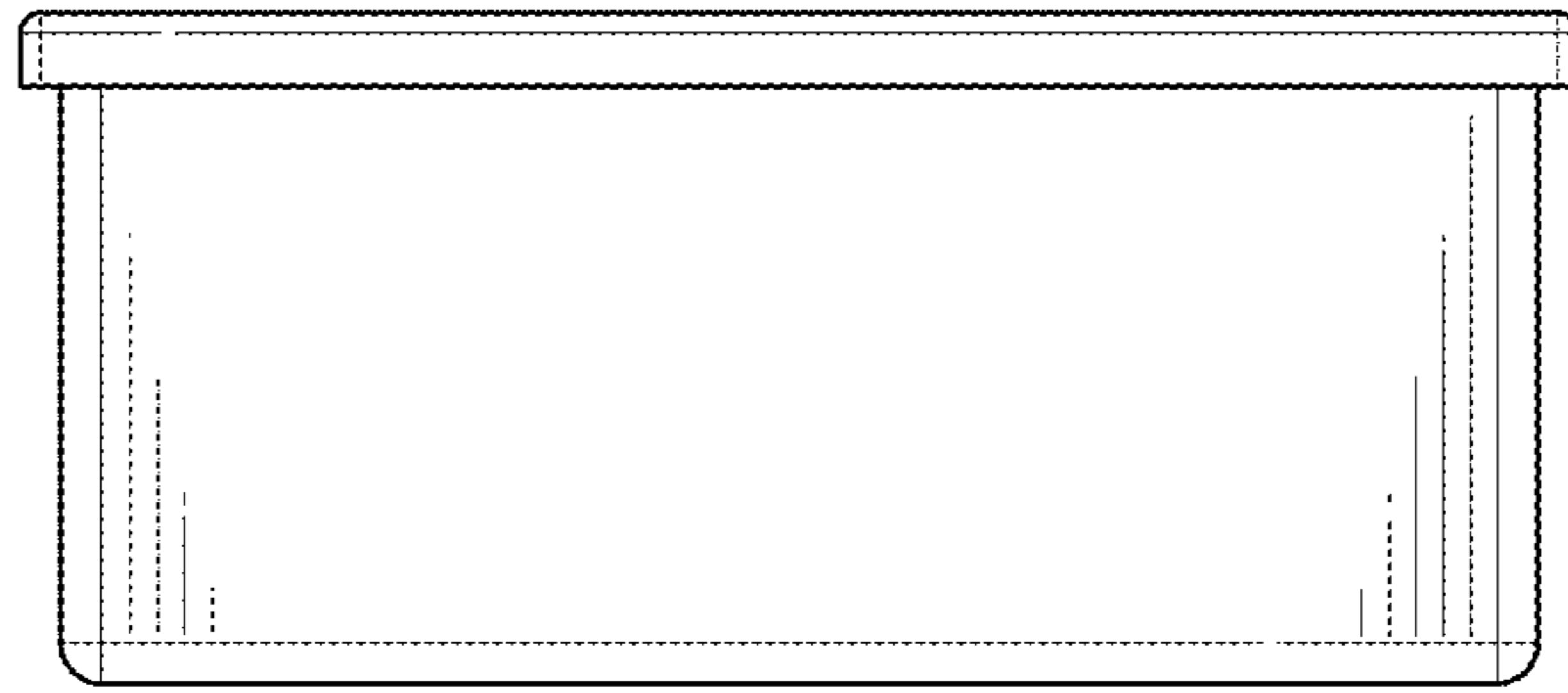


FIG. 5

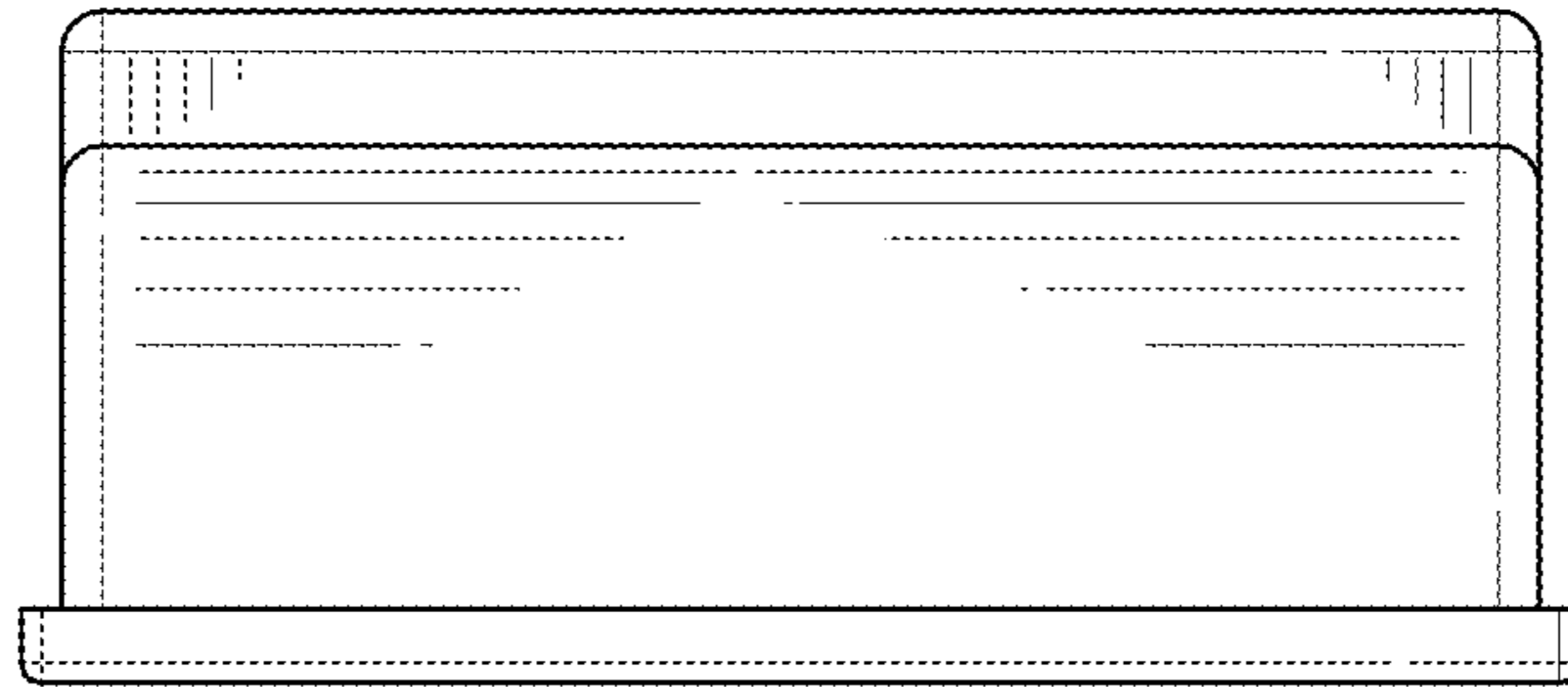


FIG. 6

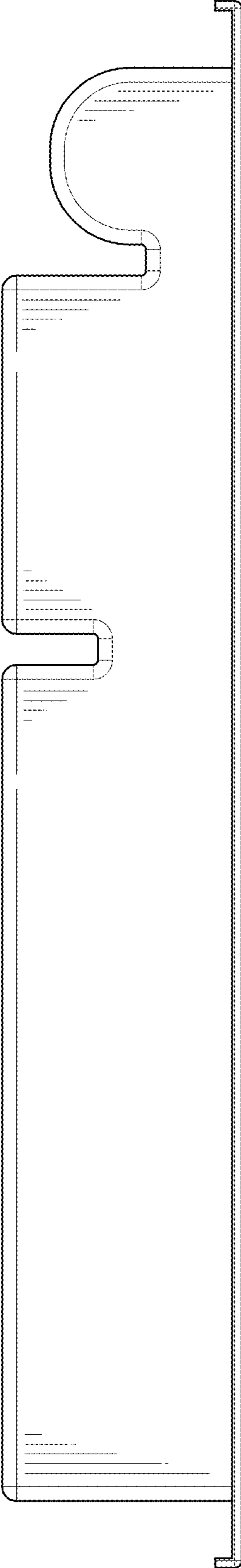


FIG. 7

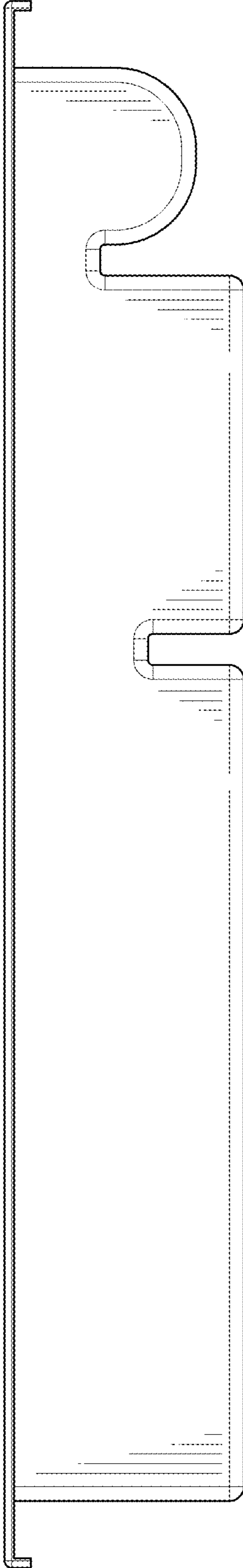


FIG. 8