



US00D946492S

(12) **United States Design Patent**  
**Qu**

(10) **Patent No.:** **US D946,492 S**  
(45) **Date of Patent:** **\*\* Mar. 22, 2022**

(54) **CAR PHONE MOUNT**

(71) Applicant: **SHENZHEN SHUNHONGXIN TECHNOLOGY CO., LTD.**, Shenzhen (CN)

(72) Inventor: **Qiang Qu**, Shenzhen (CN)

(73) Assignee: **SHENZHEN SHUNHONGXIN TECHNOLOGY CO., LTD.**, Shenzhen (CN)

(\*\*) Term: **15 Years**

(21) Appl. No.: **29/779,959**

(22) Filed: **Apr. 21, 2021**

(51) **LOC (13) Cl.** ..... **12-16**

(52) **U.S. Cl.**  
USPC ..... **D12/415**

(58) **Field of Classification Search**  
USPC ..... D12/415-420, 423, 400, 191; D6/513, D6/514, 611, 553, 556, 559; D14/253  
CPC ..... B60R 2011/0005  
See application file for complete search history.

(56) **References Cited**

**U.S. PATENT DOCUMENTS**

D861,670 S 10/2019 Li  
D893,398 S \* 8/2020 Wu ..... D12/415  
D893,471 S \* 8/2020 Liao ..... D14/253

D898,729 S \* 10/2020 Leeds Frank ..... D14/253  
D920,219 S \* 5/2021 Iverson ..... D12/415  
D920,322 S \* 5/2021 Stefanelli ..... D14/253  
D931,185 S \* 9/2021 Zhang ..... D12/415  
D933,646 S \* 10/2021 Liao ..... D14/253  
D934,231 S \* 10/2021 Liao ..... D14/253  
D934,235 S \* 10/2021 Liao ..... D14/253  
D936,048 S \* 11/2021 Wang ..... D14/253  
D937,820 S \* 12/2021 Li ..... D14/253  
D939,494 S \* 12/2021 Leeds-Frank ..... D14/253

\* cited by examiner

*Primary Examiner* — Katrina A Betton

(57) **CLAIM**

The ornamental design for a car phone mount, as shown and described.

**DESCRIPTION**

FIG. 1 is a perspective view of a car phone mount showing my new design;  
FIG. 2 is another perspective view thereof;  
FIG. 3 is a front elevational view thereof;  
FIG. 4 is a rear elevational view thereof;  
FIG. 5 is a left side elevational view thereof;  
FIG. 6 is a right side elevational view thereof;  
FIG. 7 is a top plan view thereof;  
FIG. 8 is a bottom plan view thereof; and,  
FIG. 9 is a perspective view of the car phone mount where the car phone mount is in a configuration of use.  
The broken lines in the drawings depict portions of the car phone mount that form no part of the claimed design.

**1 Claim, 9 Drawing Sheets**

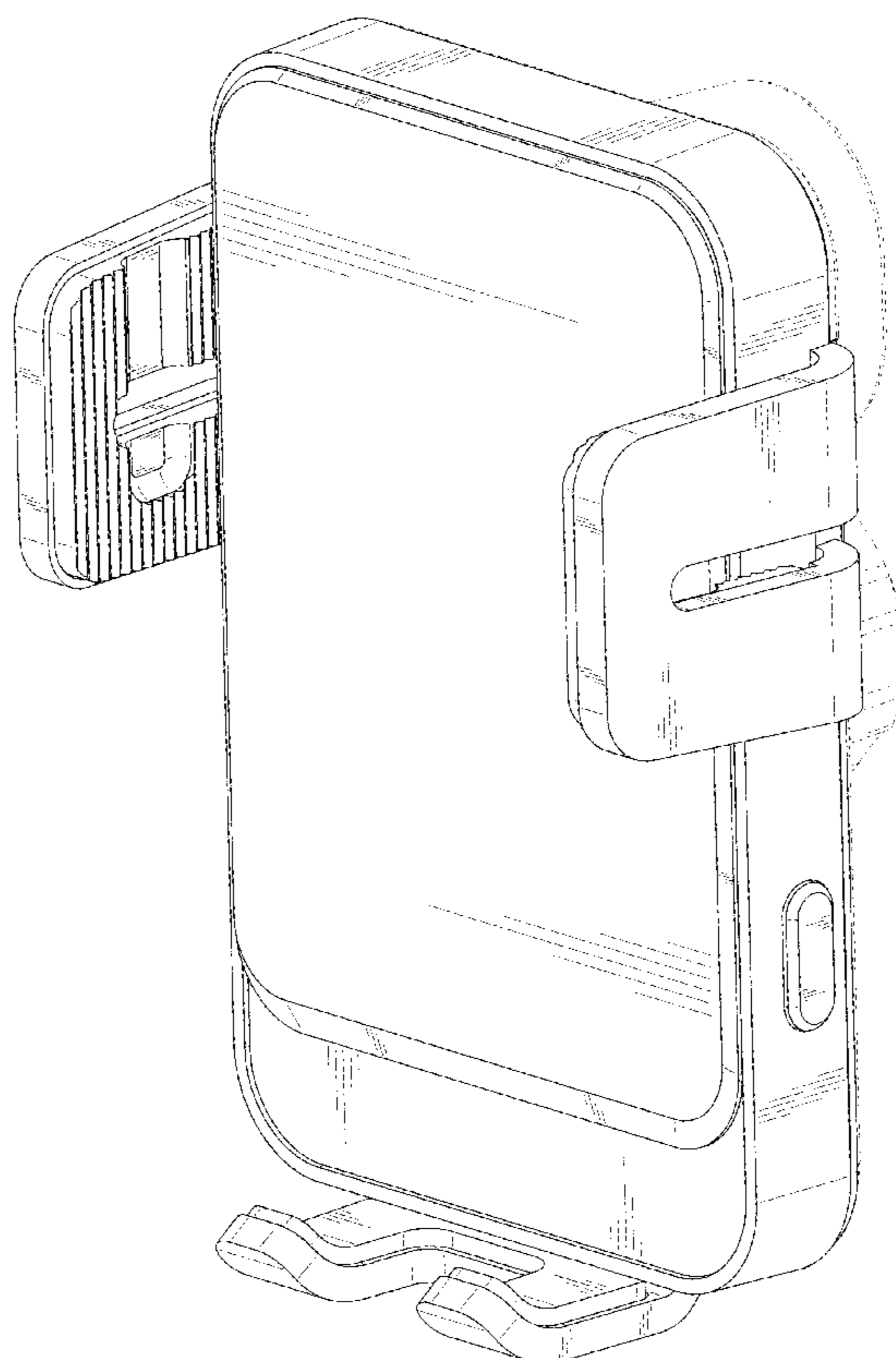




FIG. 1

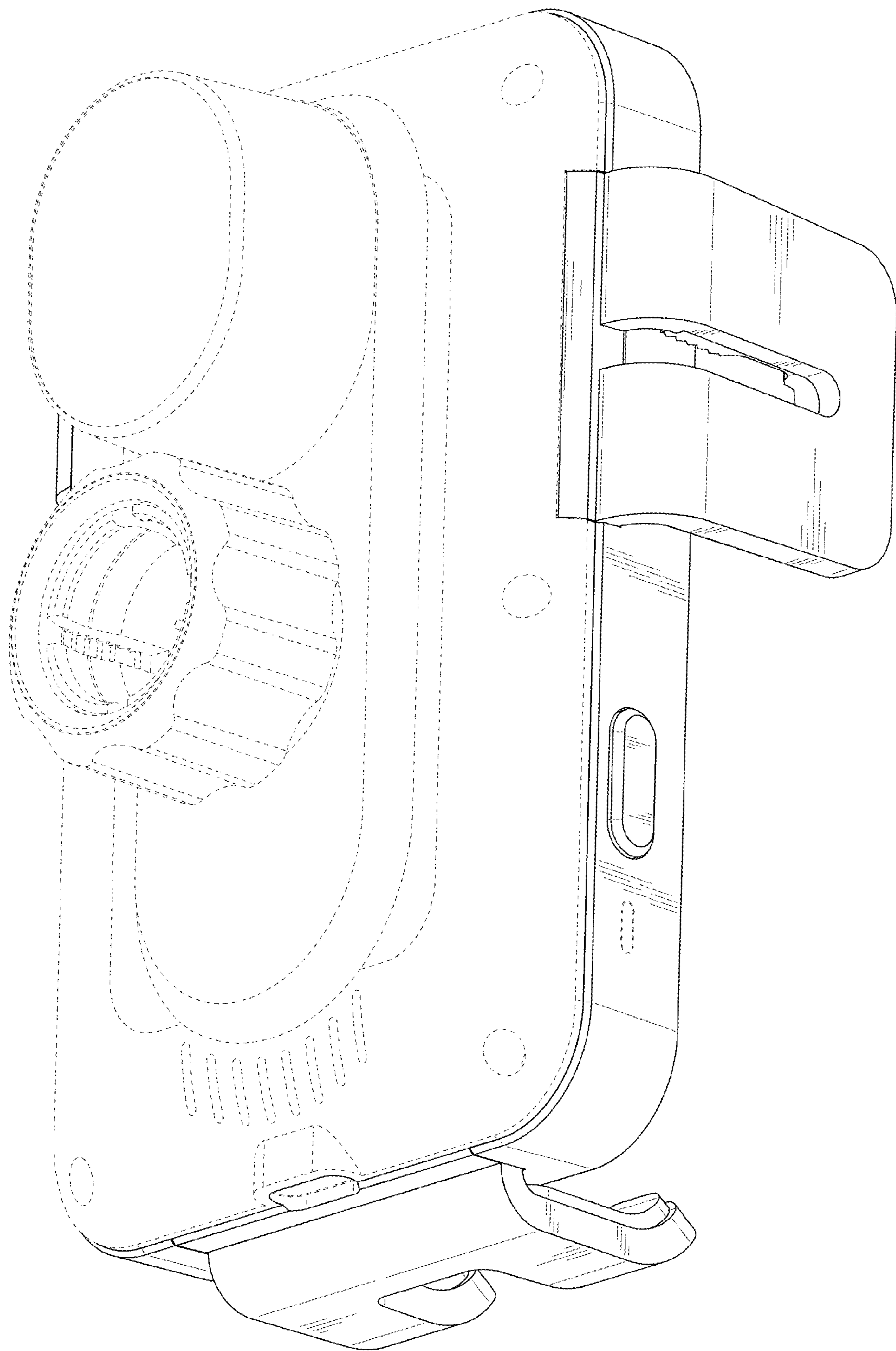


FIG. 2

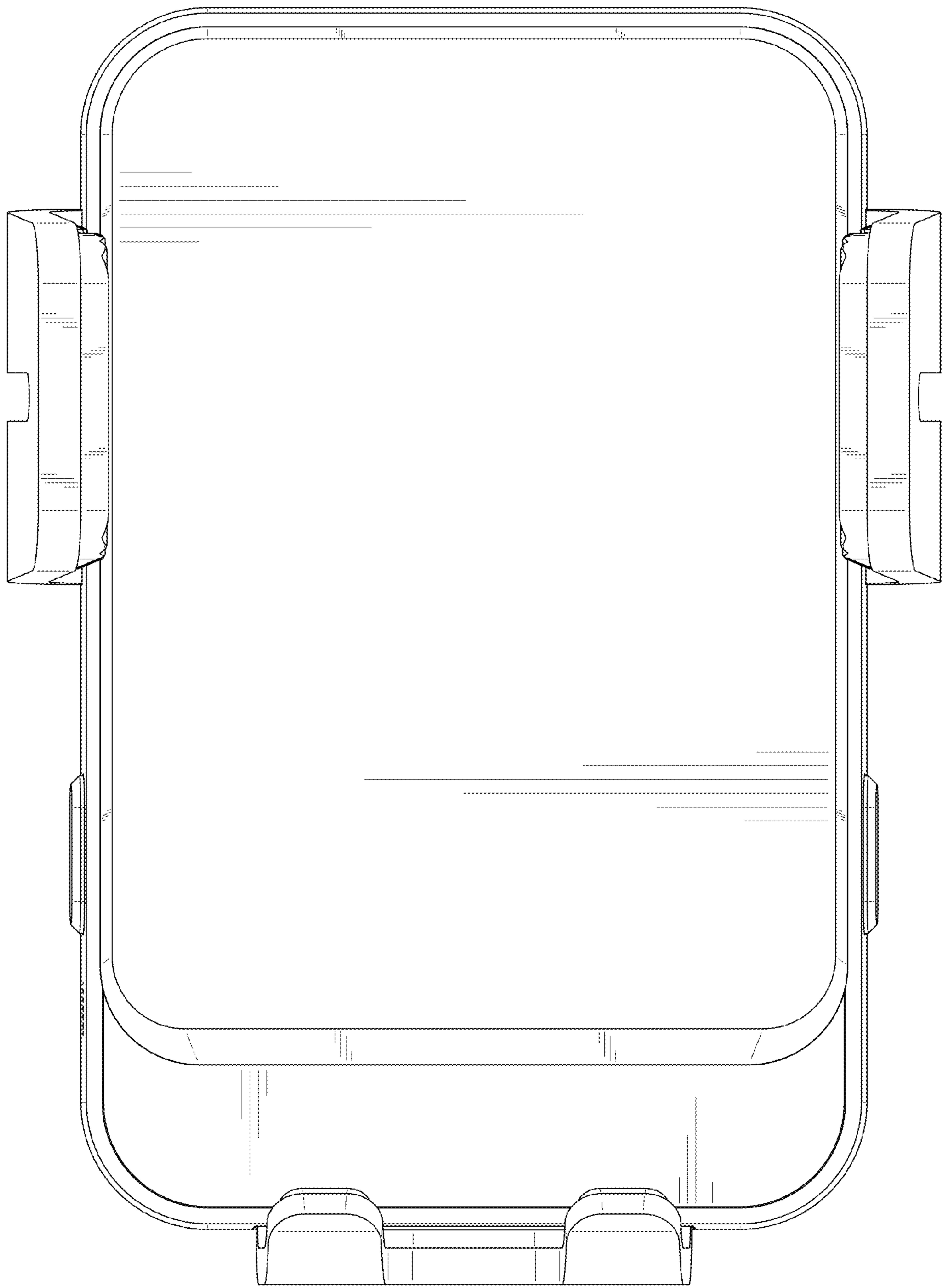


FIG. 3

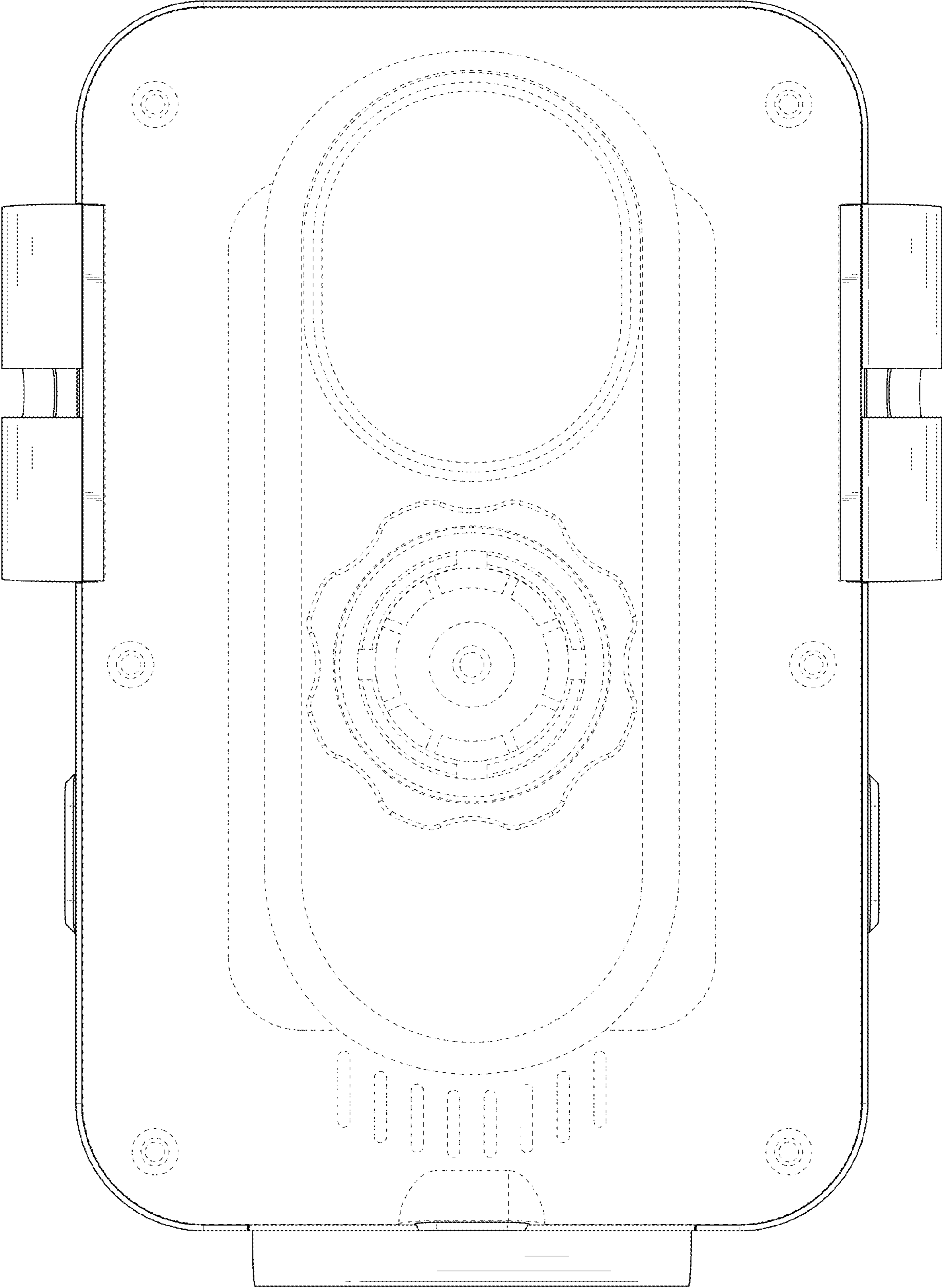


FIG. 4

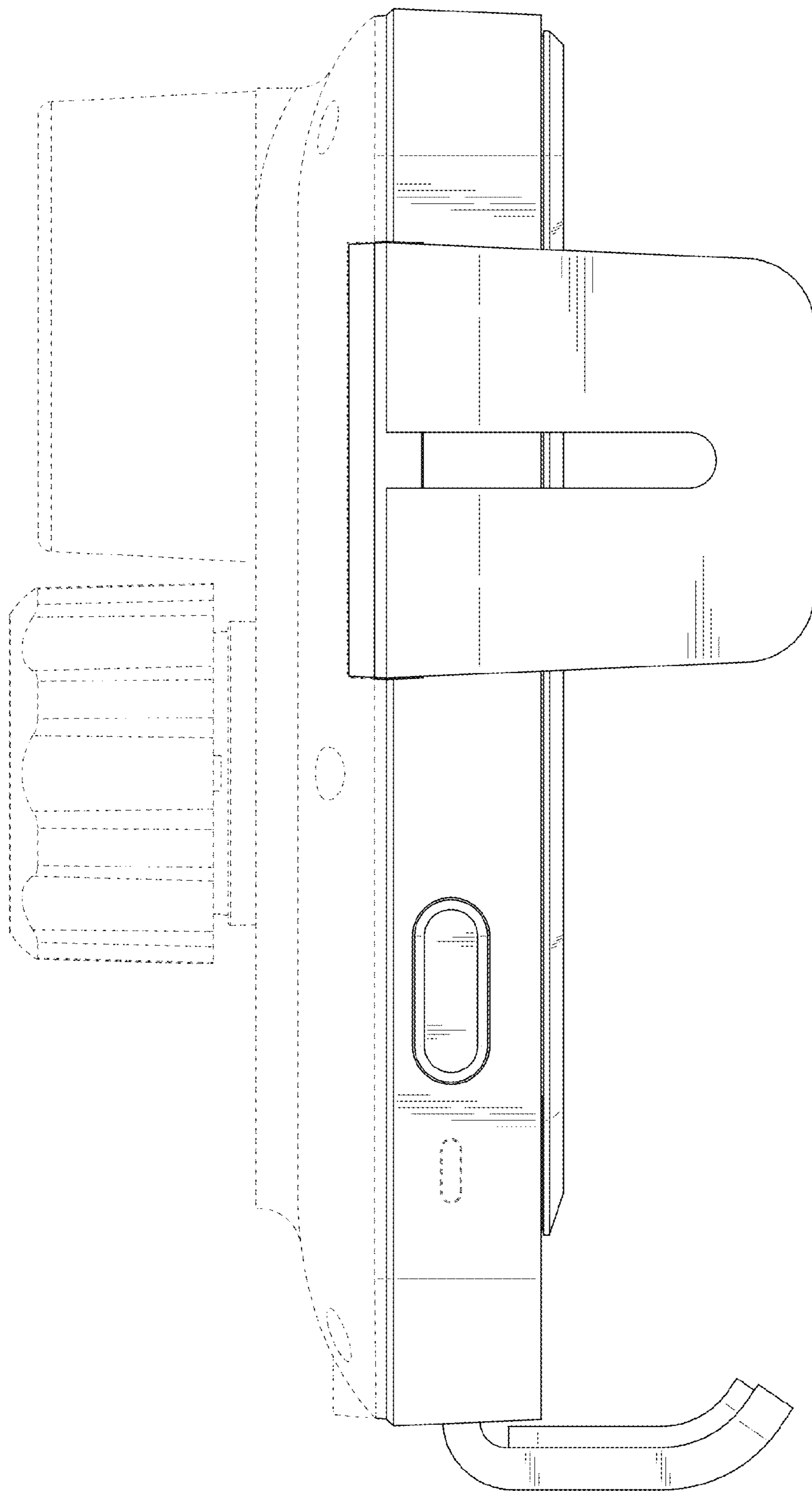


FIG. 5

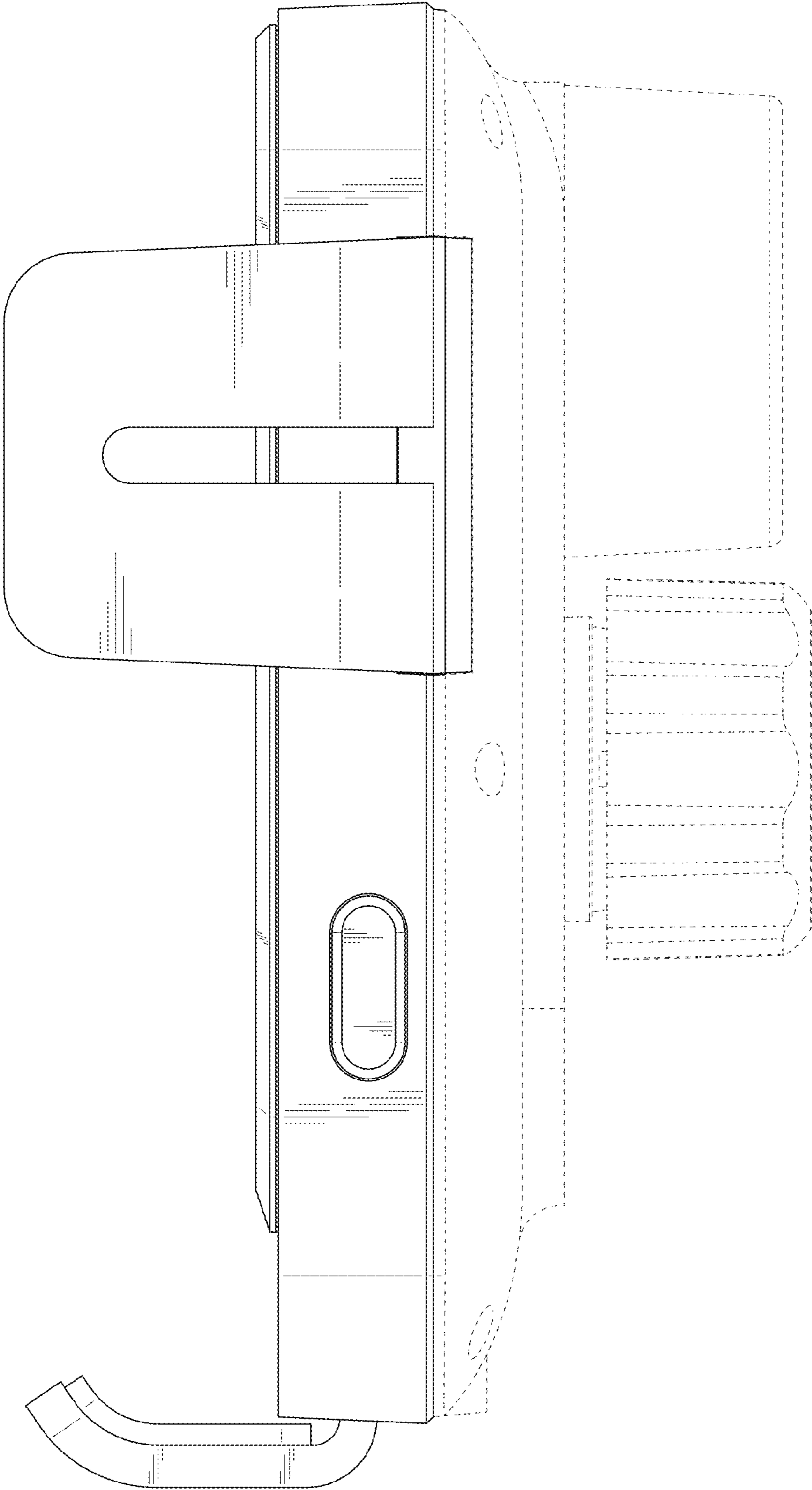


FIG. 6

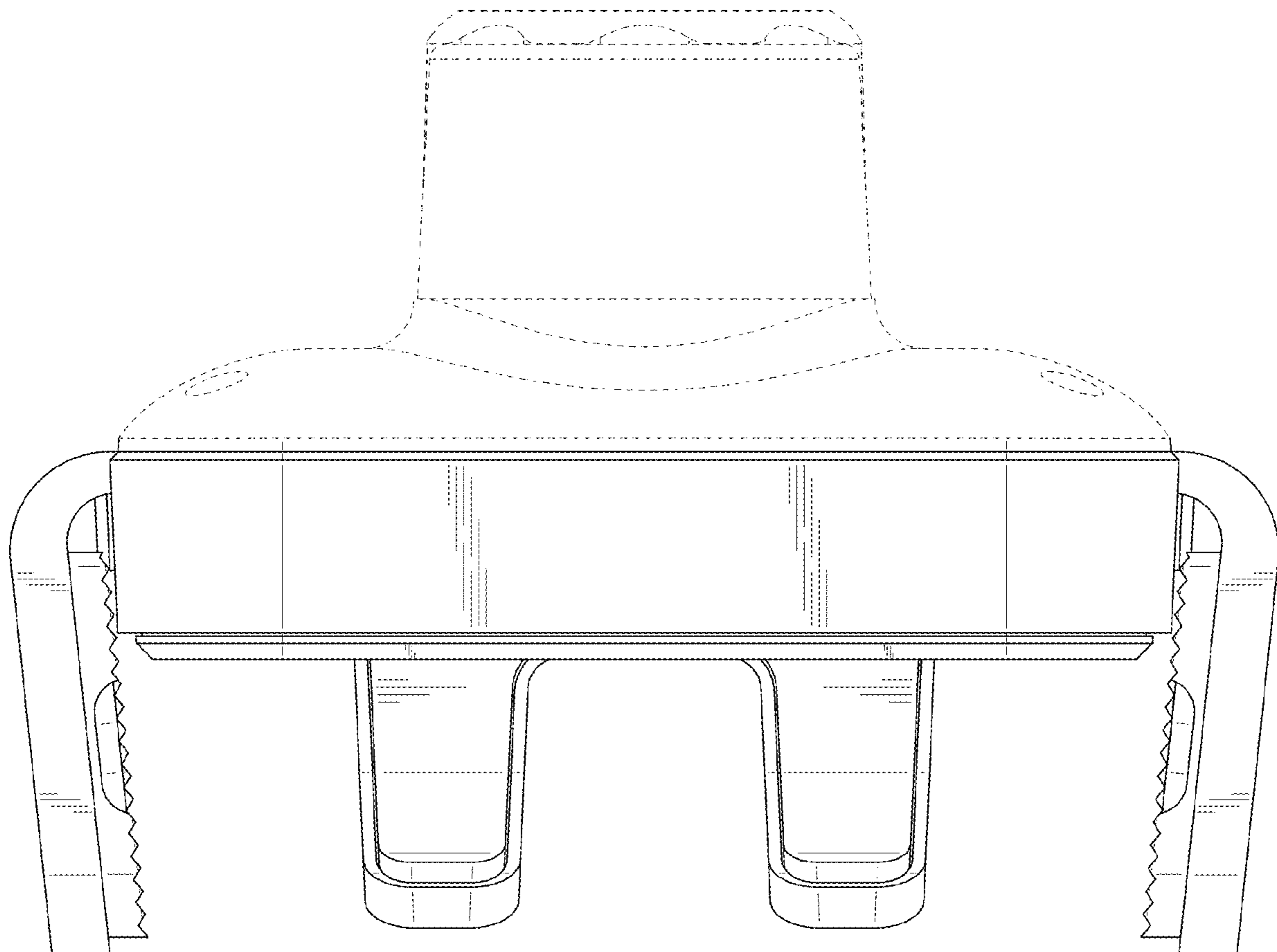


FIG. 7



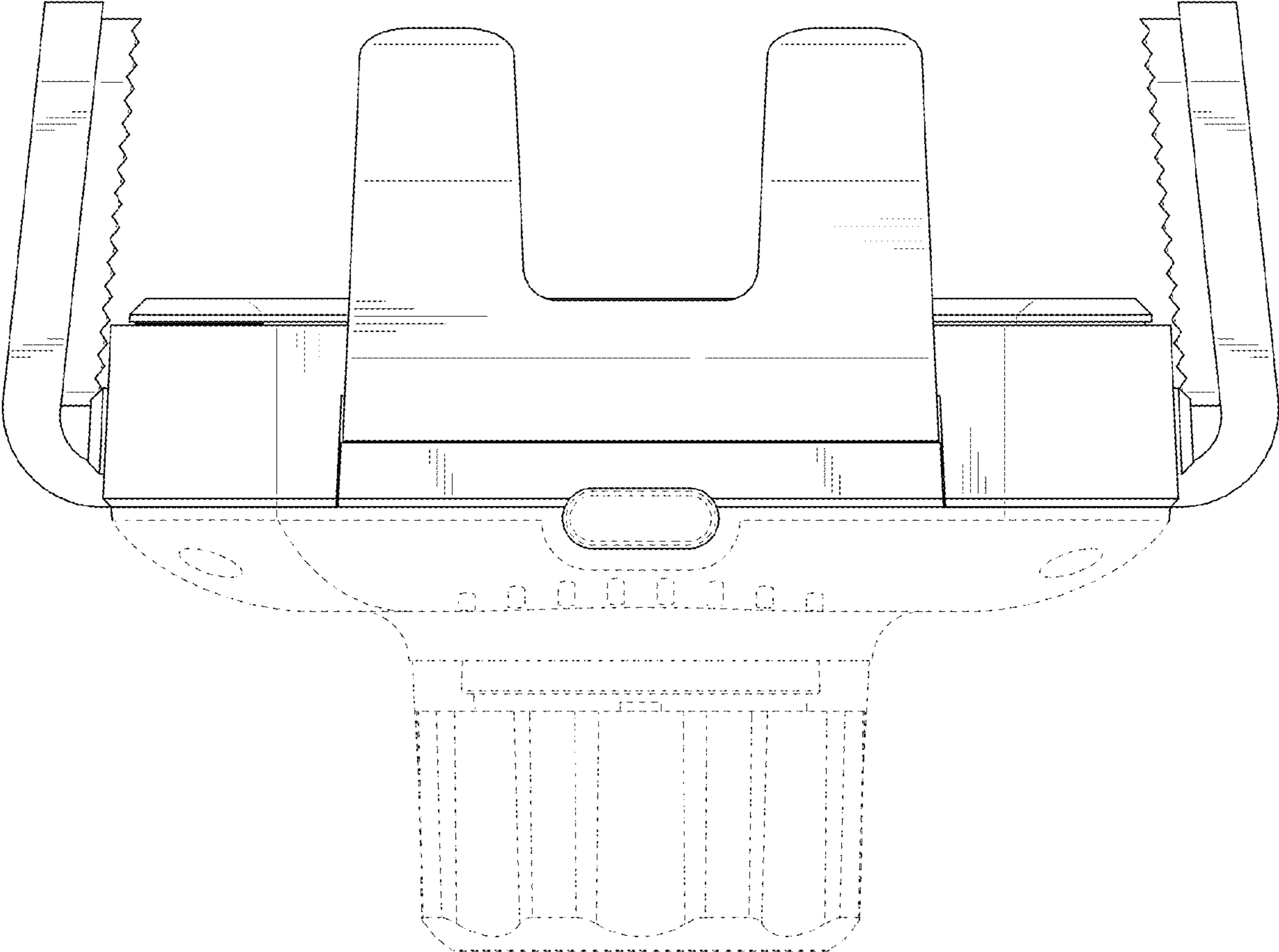


FIG. 8

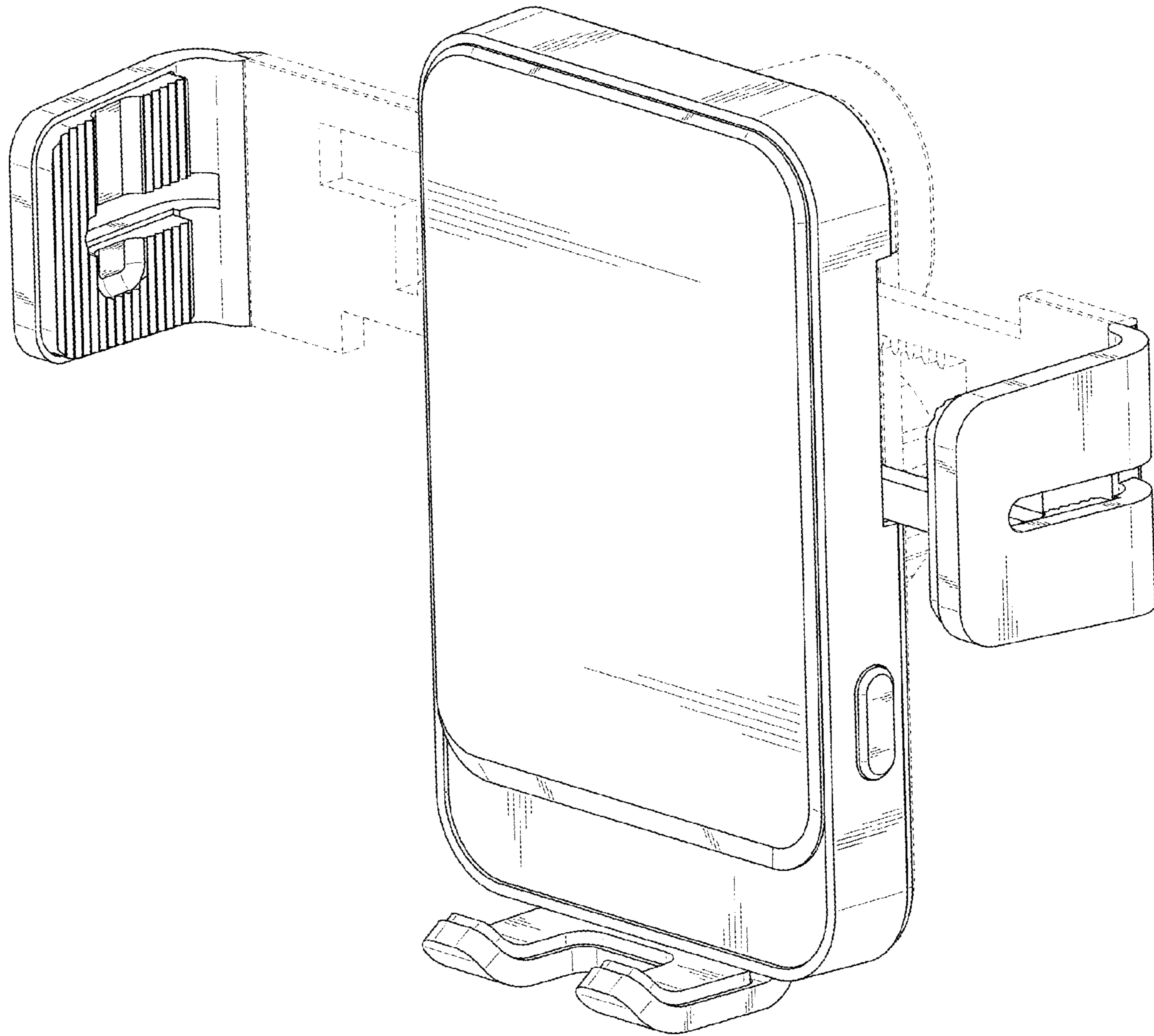


FIG. 9