



US00D946489S

(12) **United States Design Patent**
Grady et al.

(10) **Patent No.:** **US D946,489 S**

(45) **Date of Patent:** **** Mar. 22, 2022**

(54) **VEHICLE MOUNTABLE COOKING PLATFORM**

(71) Applicant: **Fleming Sales Company**, Elkhart, IN (US)

(72) Inventors: **Jeffrey T. Grady**, Bartlett, IL (US);
Josh Vandiver, Edwardsburg, MI (US)

(**) Term: **15 Years**

(21) Appl. No.: **29/739,876**

(22) Filed: **Jun. 30, 2020**

(51) **LOC (13) Cl.** **12-16**

(52) **U.S. Cl.**
USPC **D12/400**

(58) **Field of Classification Search**
USPC D12/400, 406, 412-414.1; D6/552;
D3/304-306
CPC B60R 9/04; B60R 9/048; B60R 9/045
See application file for complete search history.

(56) **References Cited**

U.S. PATENT DOCUMENTS

D445,395 S *	7/2001	Okerlund	D12/400
D449,269 S *	10/2001	Gower	D12/406
D475,678 S *	6/2003	Evans	D12/400
D595,535 S *	7/2009	Emmons	D7/323
D743,323 S *	11/2015	Lewallen	D12/400
9,549,610 B1 *	1/2017	Gettel	B60R 9/00
D846,481 S *	4/2019	Turner	D12/400
D912,606 S *	3/2021	Chen	D12/412
D929,307 S *	8/2021	Brown	D12/414
2018/0072208 A1 *	3/2018	Howe	A47B 5/04
2018/0201329 A1 *	7/2018	Barrios Albert	B60R 11/00
2019/0202332 A1 *	7/2019	Tovani	A47B 3/10

OTHER PUBLICATIONS

“Griddle N’ Stow™” Fleming Sales., Jun. 19, 2020 [online], [retrieved on Dec. 6, 2021]. Retrieved from the Internet <URL: <https://www.flemingsalesoem.com/product/griddle-n-stow/>> (Year: 2020).*

“Griddle ‘N Stow” Fleming Sales., Jun. 10, 2021 [online], [retrieved on Dec. 6, 2021]. Retrieved from the Internet <URL: <https://www.ganderoutdoors.com/griddle-n-stow-735009.html>> (Year: 2021).*

“Fleming Sales Griddle Table” Fleming Sales., Sep. 6, 2019 [online], [retrieved on Dec. 6, 2021]. Retrieved from the Internet <URL: <https://www.amazon.com/Fleming-Sales-61119-Bumper-Table/dp/B07XJD7KXH>> (Year: 2019).*

* cited by examiner

Primary Examiner — Darlington Ly

Assistant Examiner — Nasim Abdulaziz Ali

(57) **CLAIM**

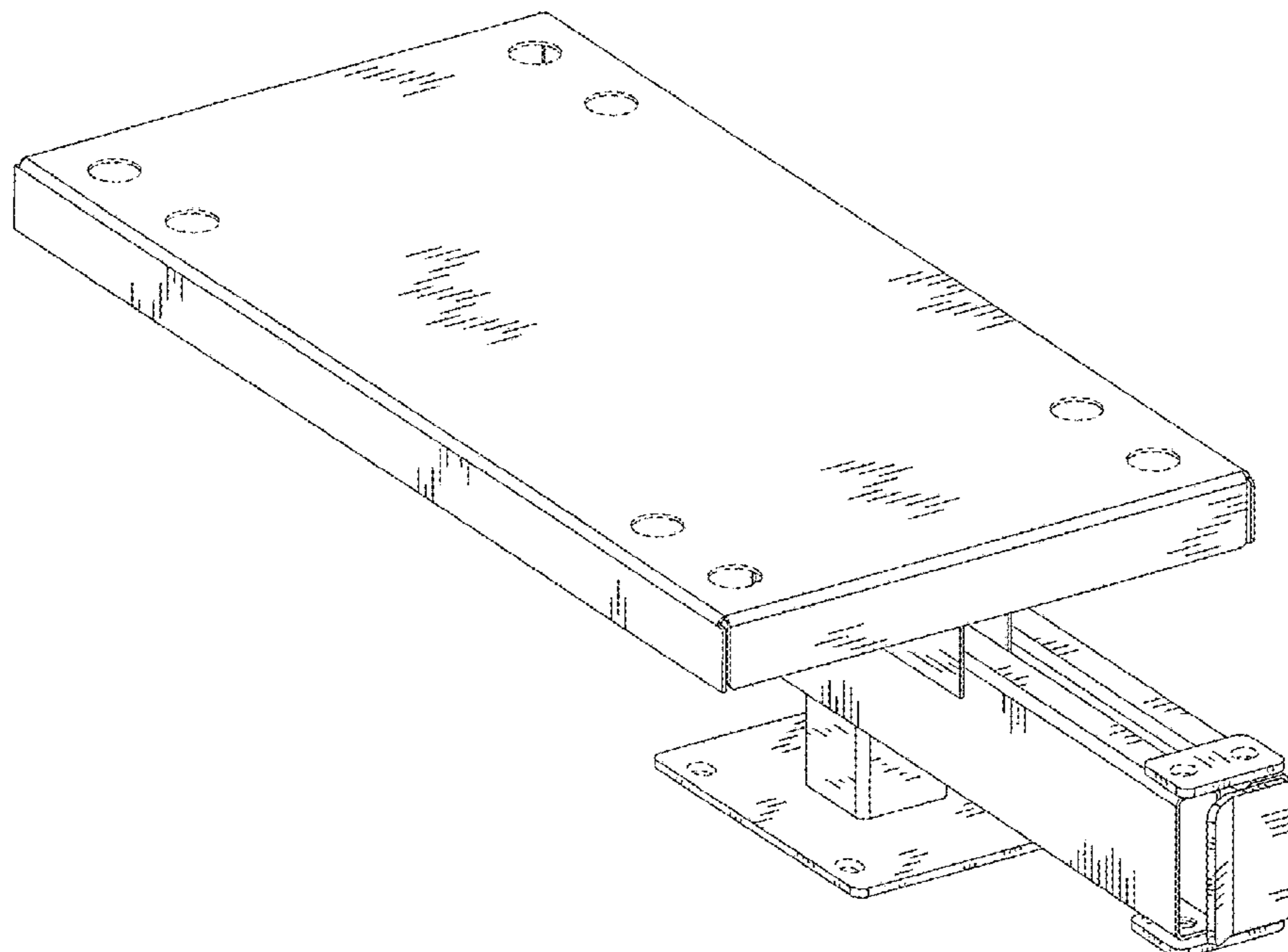
The ornamental design for a vehicle mountable cooking platform, as shown and described.

DESCRIPTION

FIG. 1 is a top perspective view of a vehicle mountable cooking platform embodying our new design; FIG. 2 is a bottom perspective view thereof; FIG. 3 is a front elevation view thereof; FIG. 4 is a rear elevation view thereof; FIG. 5 is a left side elevation view thereof; FIG. 6 is a right side elevation view thereof; FIG. 7 is a top plan view thereof; and, FIG. 8 is a bottom plan view thereof.

The broken lines in the drawings illustrate portions of the vehicle mountable cooking platform that form no part of the claimed design.

1 Claim, 6 Drawing Sheets



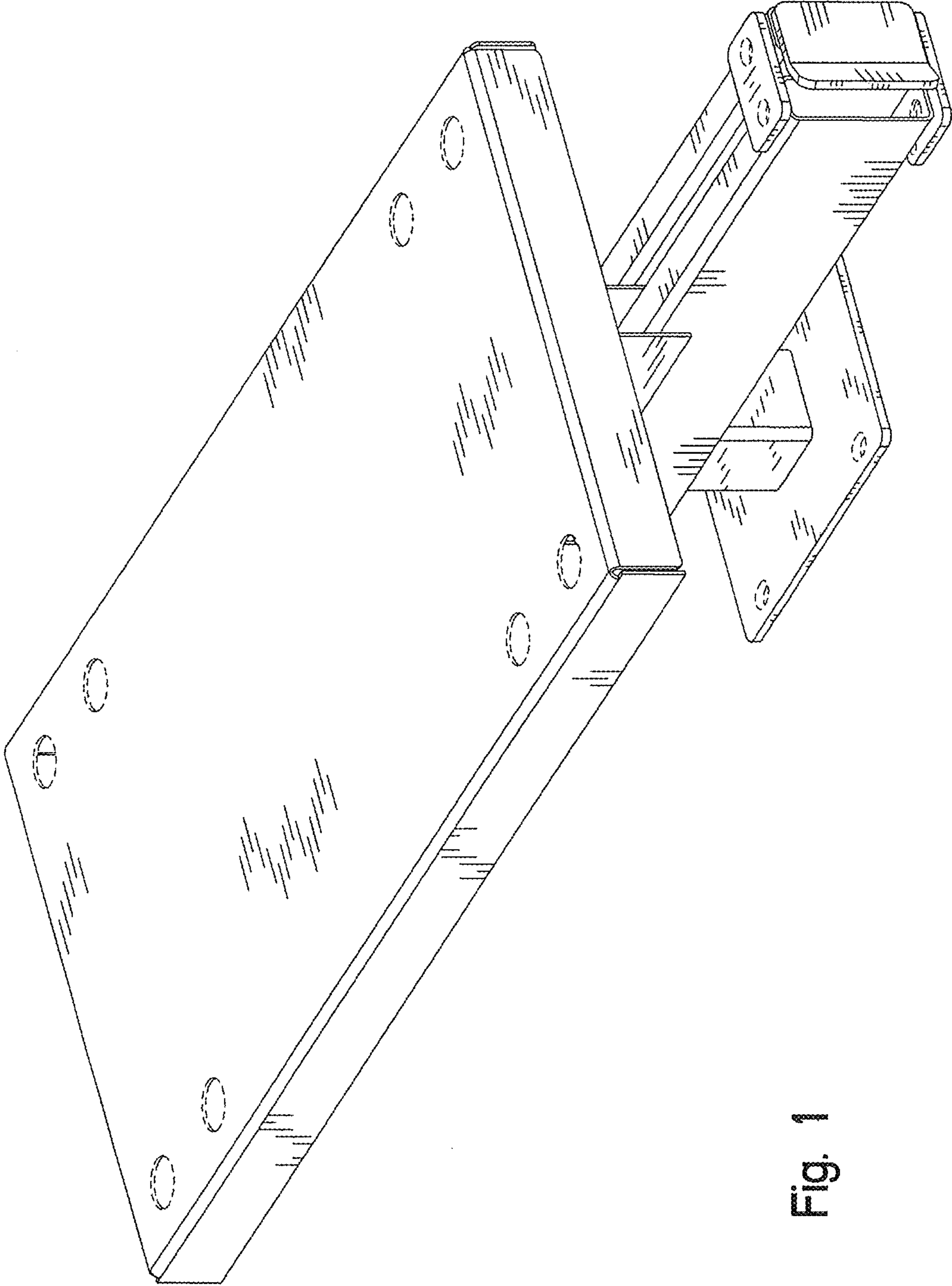


Fig. 1

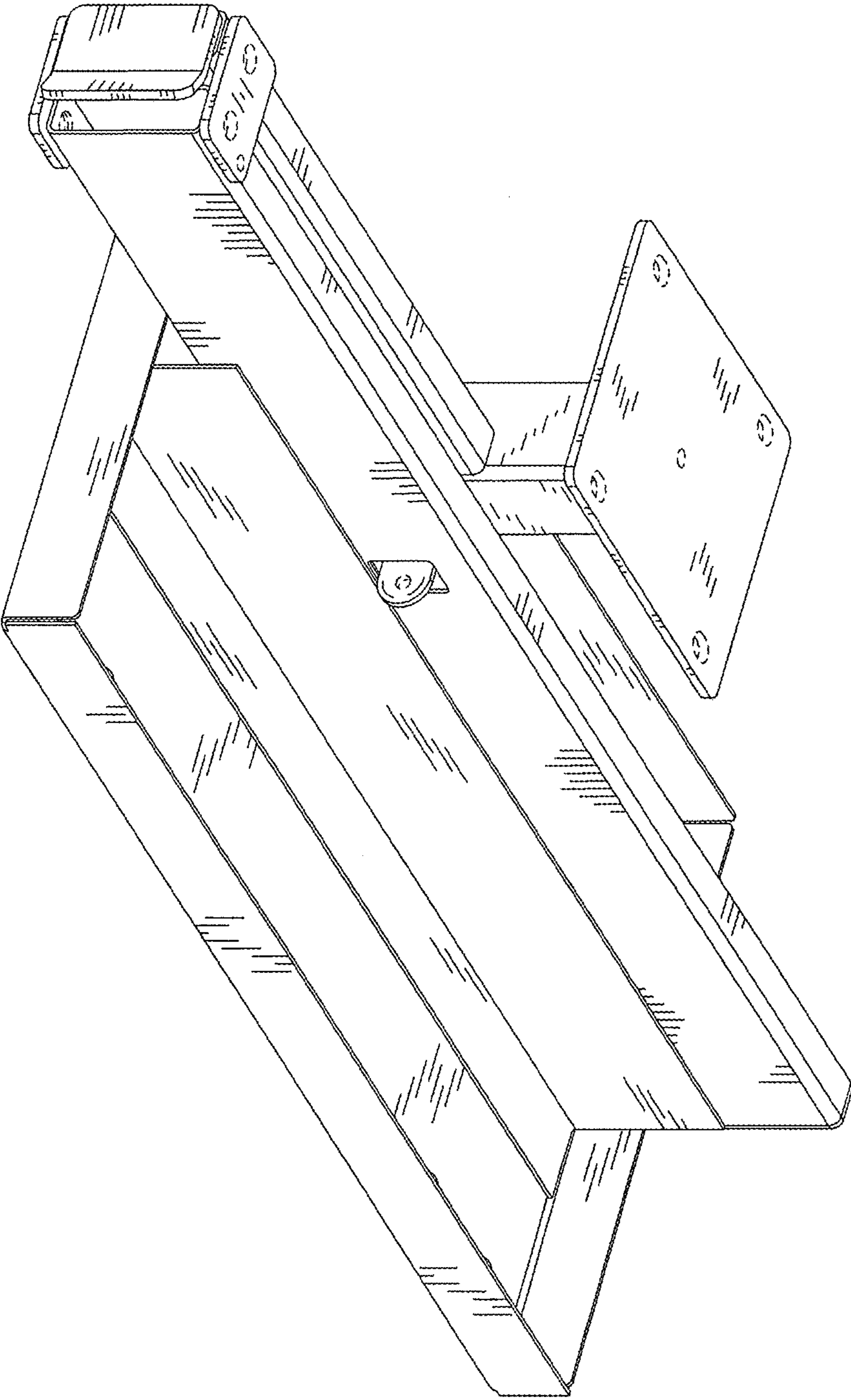


Fig. 2

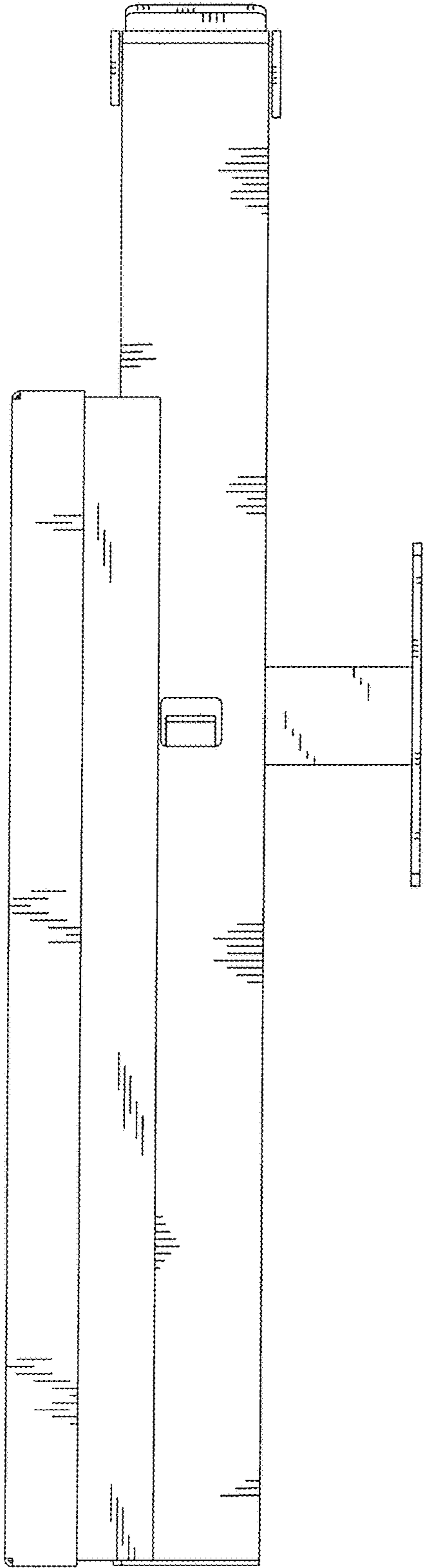


Fig. 3



Fig. 4

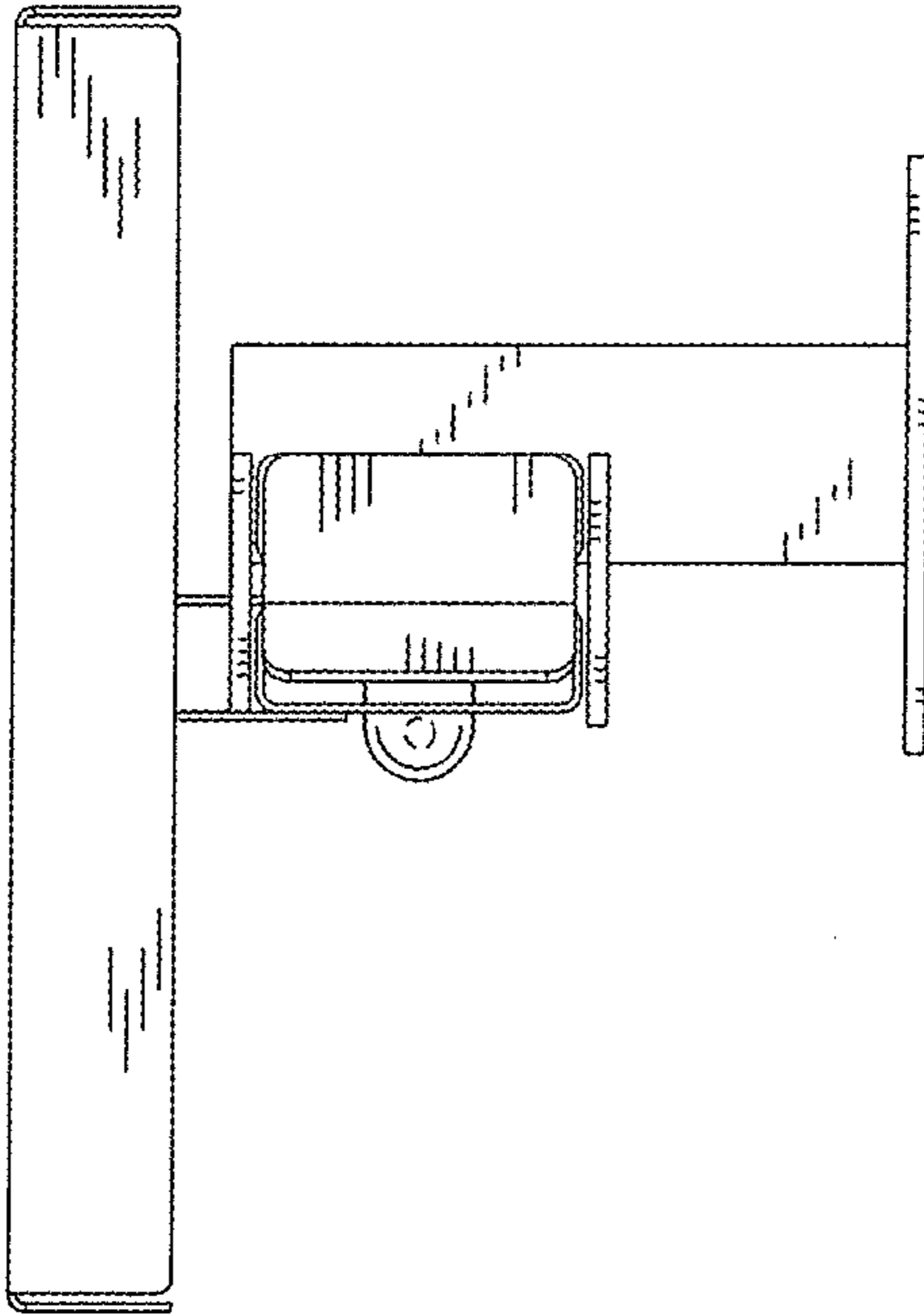


Fig. 6

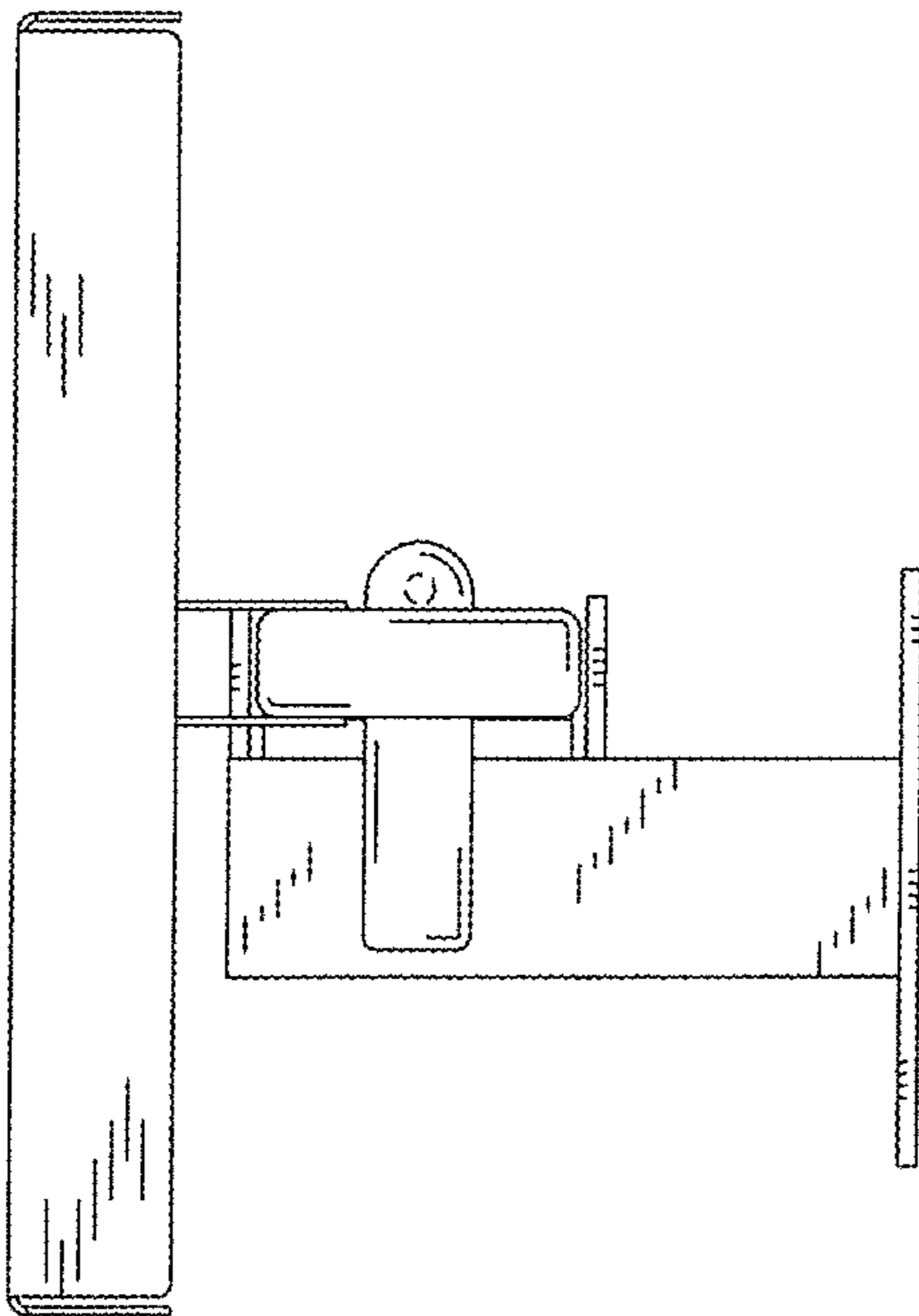


Fig. 5

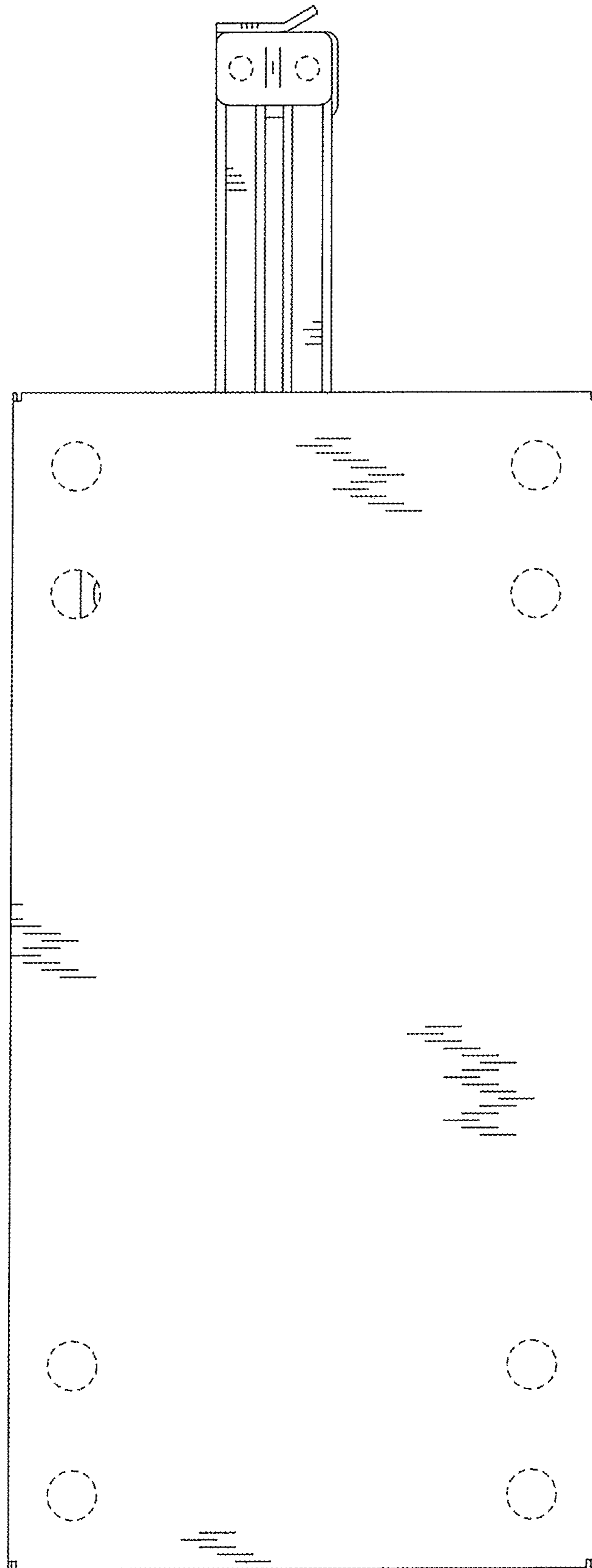


Fig. 7

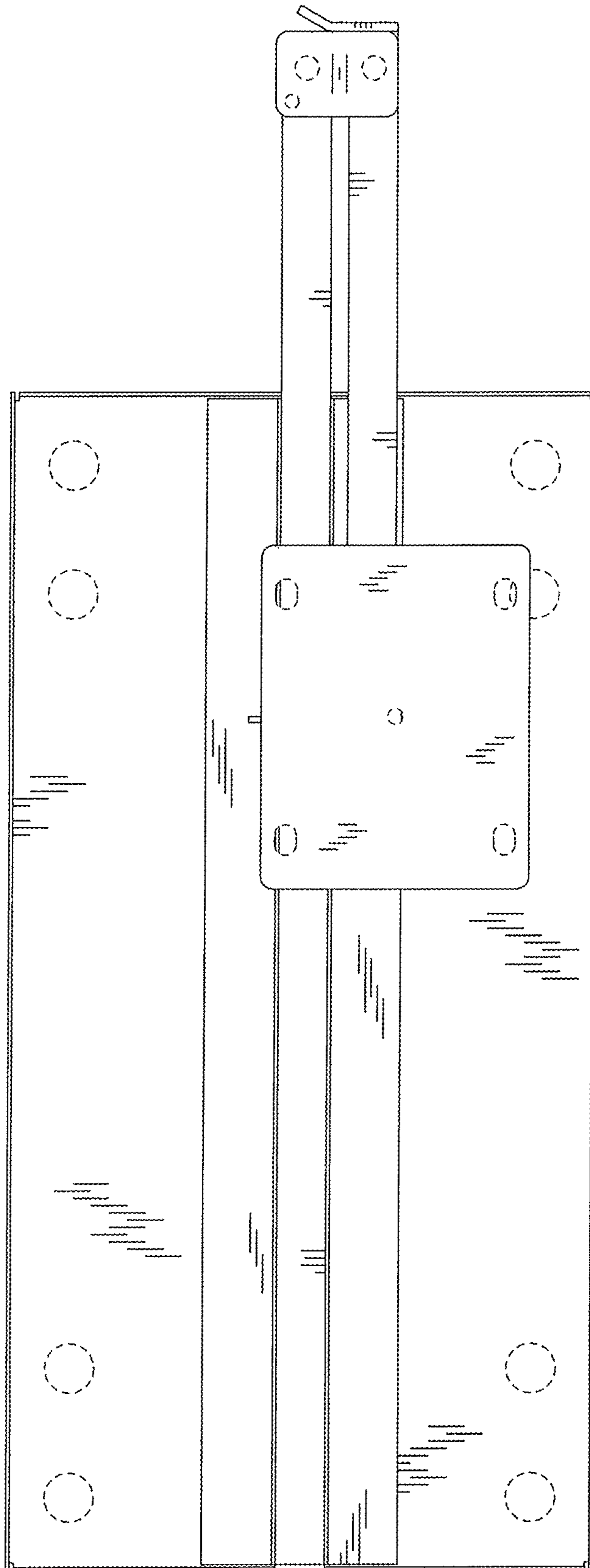


Fig. 8