



US00D946488S

(12) **United States Design Patent**
Kamsvåg

(10) **Patent No.:** **US D946,488 S**
(45) **Date of Patent:** **** Mar. 22, 2022**

(54) **SHIP**
(71) Applicant: **Ulstein Design & Solutions AS,**
Ulsteinvik (NO)

D553,071 S * 10/2007 de Rover D12/315
D574,313 S * 8/2008 de Rover D12/300
D587,641 S * 3/2009 Bouckaert D12/300
D657,729 S * 4/2012 Kleven D12/300
(Continued)

(72) Inventor: **Øyvind Gjerde Kamsvåg,** Ulsteinvik
(NO)

FOREIGN PATENT DOCUMENTS

(**) Term: **15 Years**

WO WO 2006/096086 A1 9/2006

(21) Appl. No.: **35/509,272**

OTHER PUBLICATIONS

(22) Filed: **Apr. 3, 2020**

Bjorgulfur (Trawler) Registered in Iceland—Vessel details, Current position and Voyage information—IMO 9758210, MMSI 251414000, Call Sign TFCR AIS Marine Traffic dated Apr. 20, 2020.

(80) **Hague Agreement Data**

(Continued)

Int. Filing Date: **Apr. 3, 2020**
Int. Reg. No.: **DM/207740**
Int. Reg. Date: **Apr. 3, 2020**
Int. Reg. Pub. Date: **May 8, 2020**

Primary Examiner — Darlington Ly
(74) *Attorney, Agent, or Firm* — Woodard, Emhardt,
Henry, Reeves & Wagner, LLP

(30) **Foreign Application Priority Data**

(57) **CLAIM**

The ornamental design for a ship, as shown and described.

Oct. 3, 2019 (NO) 20191427

DESCRIPTION

(51) **LOC (13) Cl.** **12-06**

(52) **U.S. Cl.**
USPC **D12/300**

(58) **Field of Classification Search**
USPC D12/300, 301, 304, 315, 317, 318;
D21/542, 543
CPC B63B 1/00; B63B 1/04; B63B 1/06; B63B
1/08; B63B 1/10; B63B 1/38
See application file for complete search history.

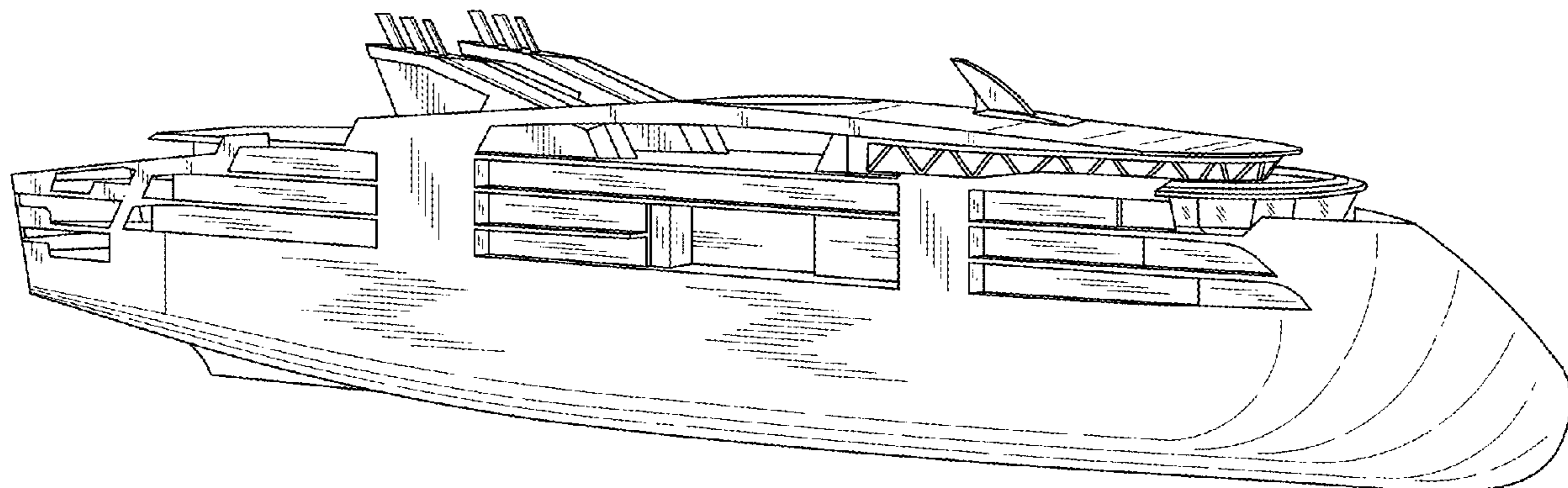
FIG. 1.1 is a front and right side perspective view of a ship embodying my new design;
FIG. 1.2 is a rear and right side perspective view thereof;
FIG. 1.3 is a right side elevation view thereof;
FIG. 1.4 is a top and right side perspective view thereof;
FIG. 1.5 is a top plan view thereof;
FIG. 1.6 is a front elevation view thereof;
FIG. 1.7 is a rear elevation view thereof;
FIG. 1.8 is a top, front, and right side perspective view thereof;
FIG. 1.9 is a front and left side perspective view thereof;
FIG. 1.10 is a rear and left side perspective view thereof;
FIG. 1.11 is a top, front, and left side perspective view thereof;
FIG. 1.12 is a top and left side perspective view thereof; and
FIG. 1.13 is a left side elevation view thereof.

(56) **References Cited**

U.S. PATENT DOCUMENTS

D192,713 S * 5/1962 Lowrey D12/300
4,383,828 A * 5/1983 Wynne B63B 1/08
440/69
D290,949 S * 7/1987 Scarboro D12/315
D315,137 S * 3/1991 Runte D12/303
D548,666 S * 8/2007 Laupman D12/300

1 Claim, 13 Drawing Sheets



(56)

References Cited

U.S. PATENT DOCUMENTS

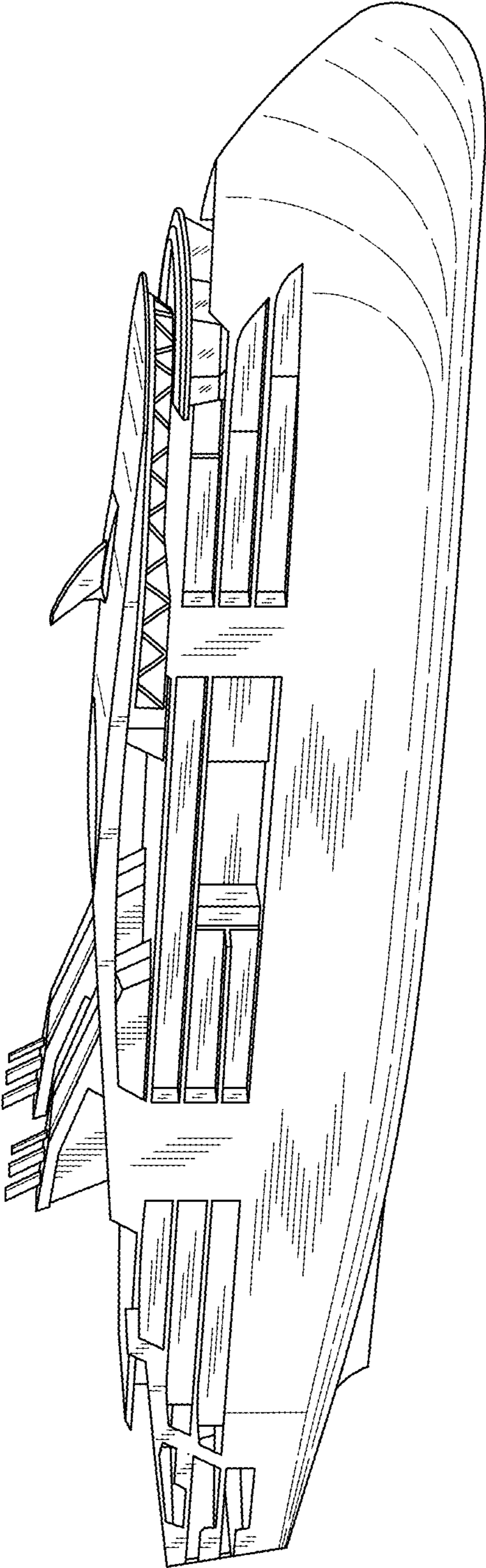
D717,712 S	*	11/2014	Teige	D12/300
D738,284 S	*	9/2015	Okuyama	D12/300
D788,015 S	*	5/2017	Lovo	D12/315
D818,418 S	*	5/2018	Mattila	D12/300
D818,419 S	*	5/2018	Mattila	D12/300
D826,832 S	*	8/2018	Mattila	D12/300
D826,835 S	*	8/2018	Mattila	D12/300
D828,278 S	*	9/2018	Mattila	D12/300

OTHER PUBLICATIONS

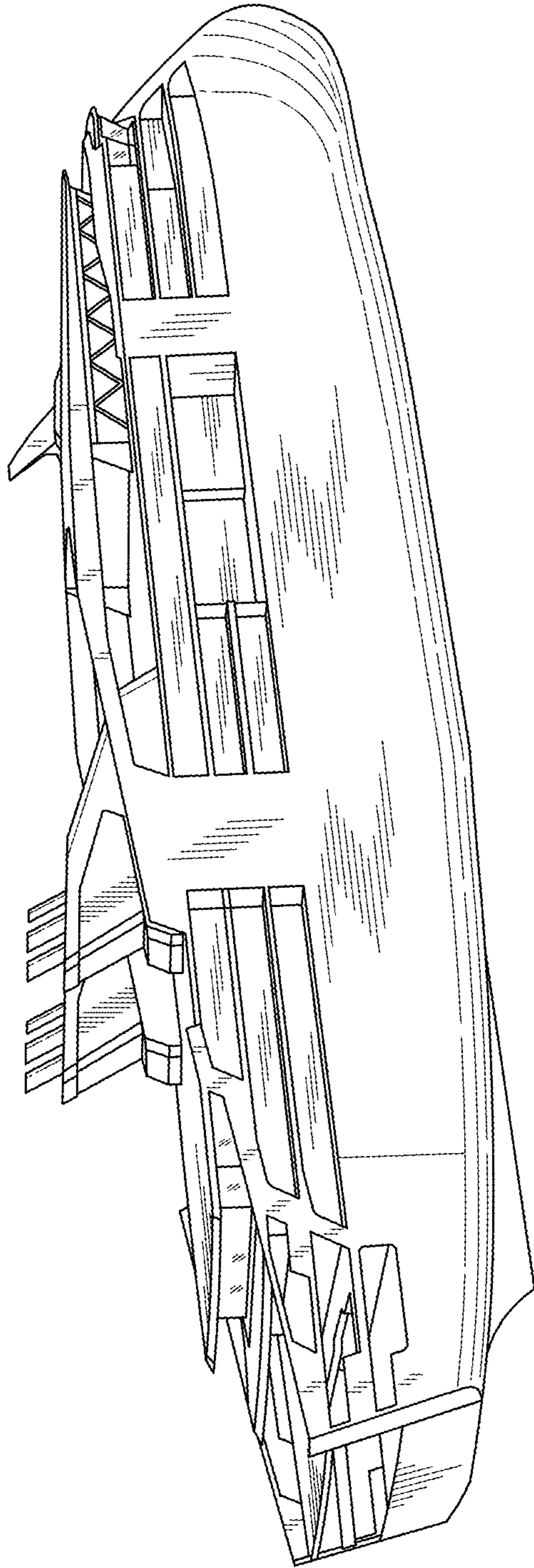
Kaldbakur (Trawler) Registered in Iceland—Vessel details, Current position and Voyage information—IMO 9758208, MMSI 251357000, Call Sign TFCD AIS Marine Traffic.pdf dated Apr. 20, 2020.
Ulstein Design & Solutions AS, 3D X-Bow + Logo, Japan Registration No. 5657/03, dated Jan. 21, 2020.
Ulstein Design & Solutions AS, 3D X-Bow, European Union

Registration No. 912725479, dated Jan. 21, 2020.
Ulstein Design & Solutions AS. Design trademarks for elements of boat structures, dated Jan. 24, 2020.
Ulstein Design & Solutions AS, design trademarks for icebreaker, dated Jul. 15, 2020.
Ulstein Group AS, 3D X-Bow, Croatia Registration No. 220140513 dated Jan. 21, 2020.
Ulstein Group AS, 3D X-Bow. European Union 012725479, dated Jan. 21, 2020.
Ulstein Group ASA, 3D X-Bow, Monaco Registration No. 14.30704, dated Jan. 21, 2020.
Ulstein Group ASA, 3D X-Bow, Ukraine Registration No. 14.30704, dated Jan. 21, 2020.
Ulstein I Dag, Informasjonsmagasin fra Ulstein, Norway, N.R. 1, 2003.
Ulstein Today Magazine, article on The Vision of the Next Generation of Ships, No. 1, 2004, cover page and p. 35.
Ulstein, Norway, Annual Report, 2003.

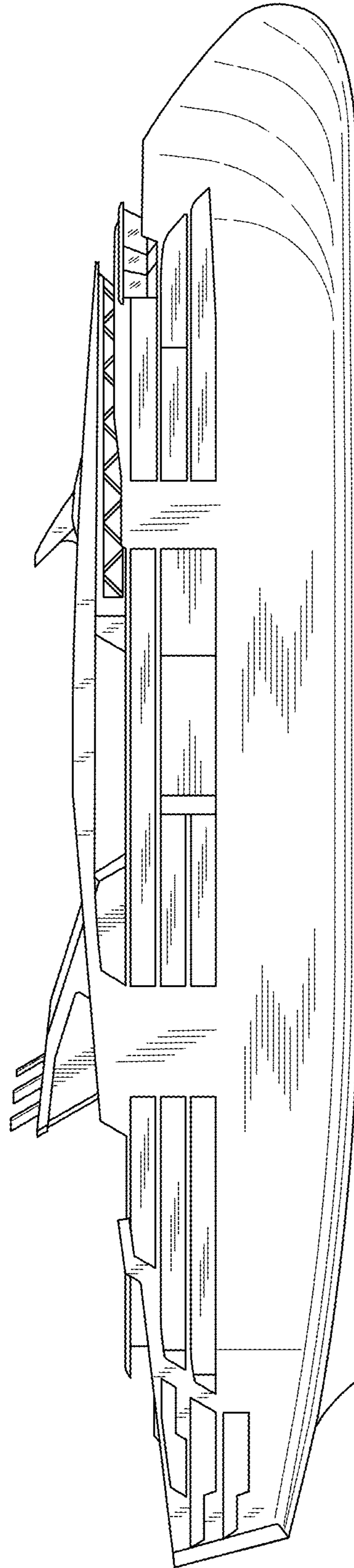
* cited by examiner



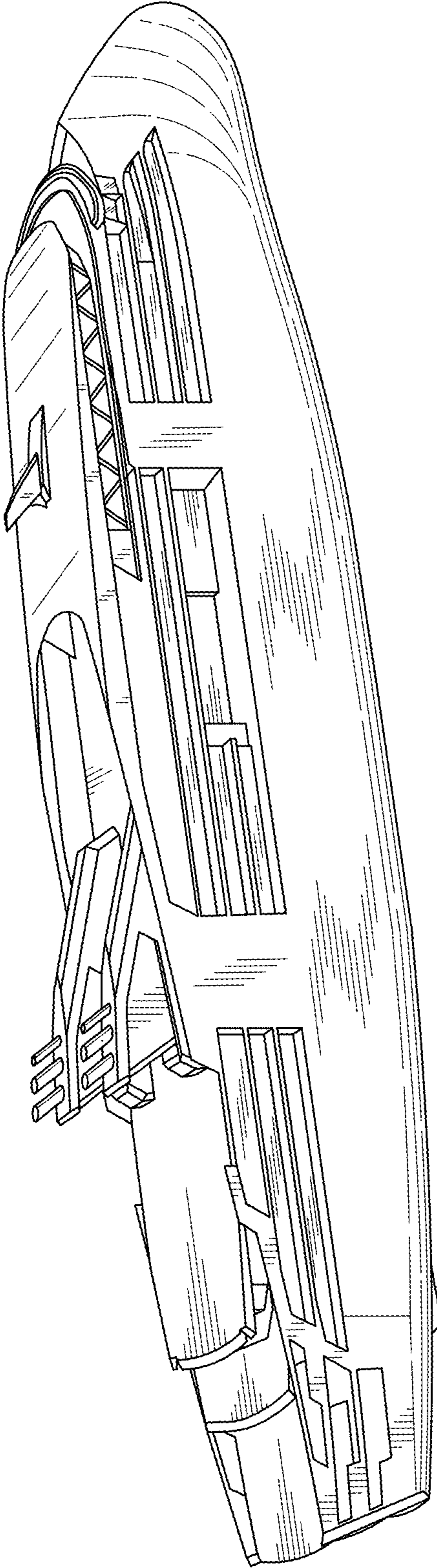
1.1



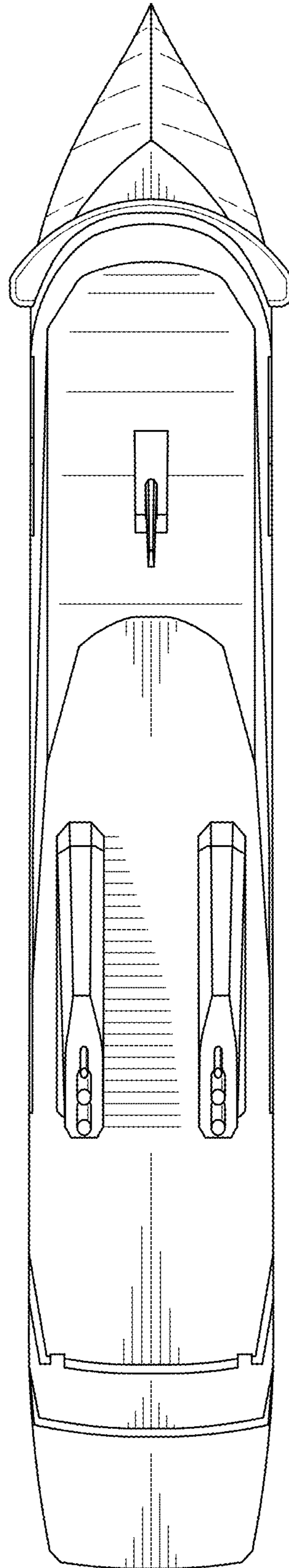
1.2



1.3

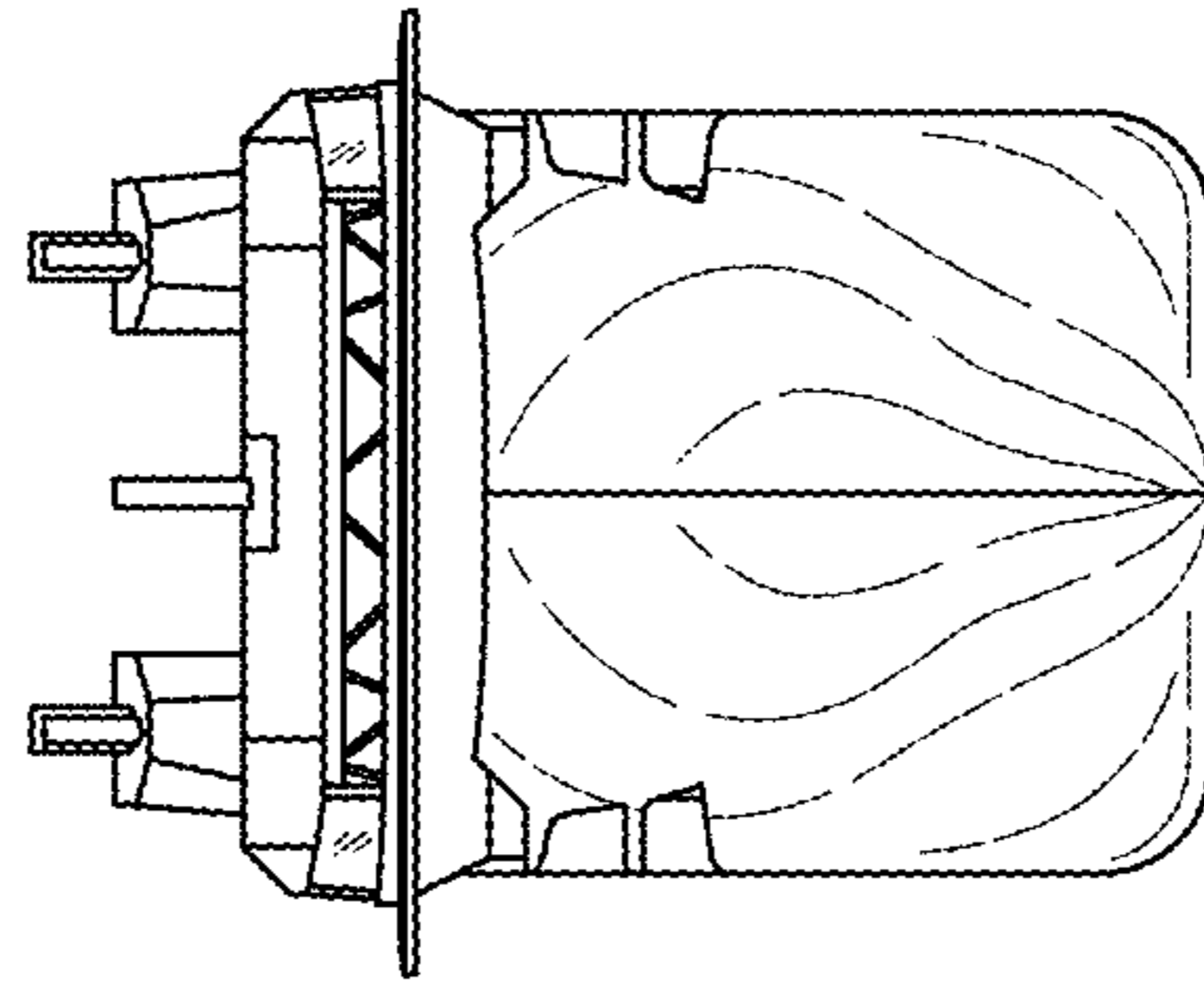


1.4

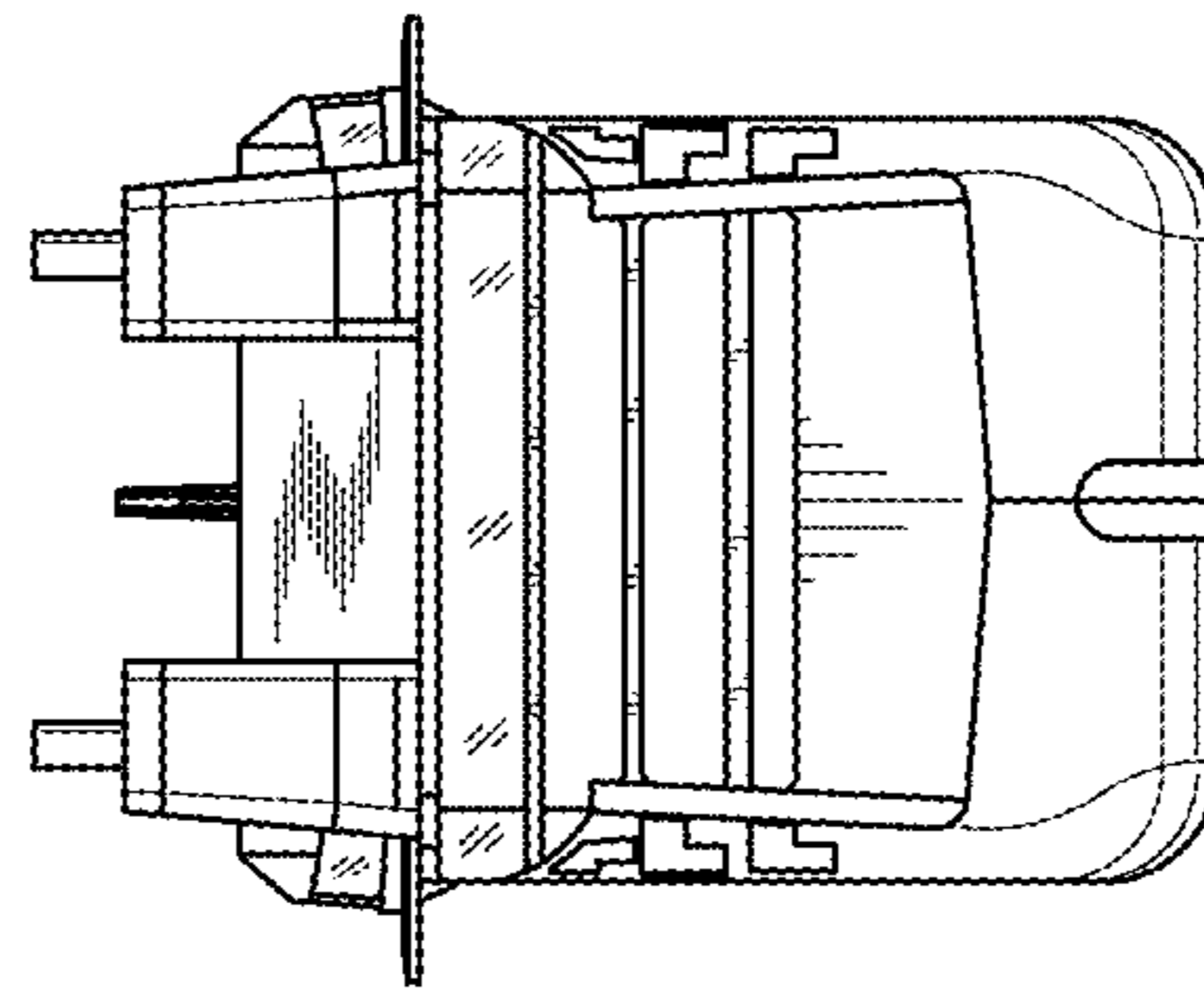


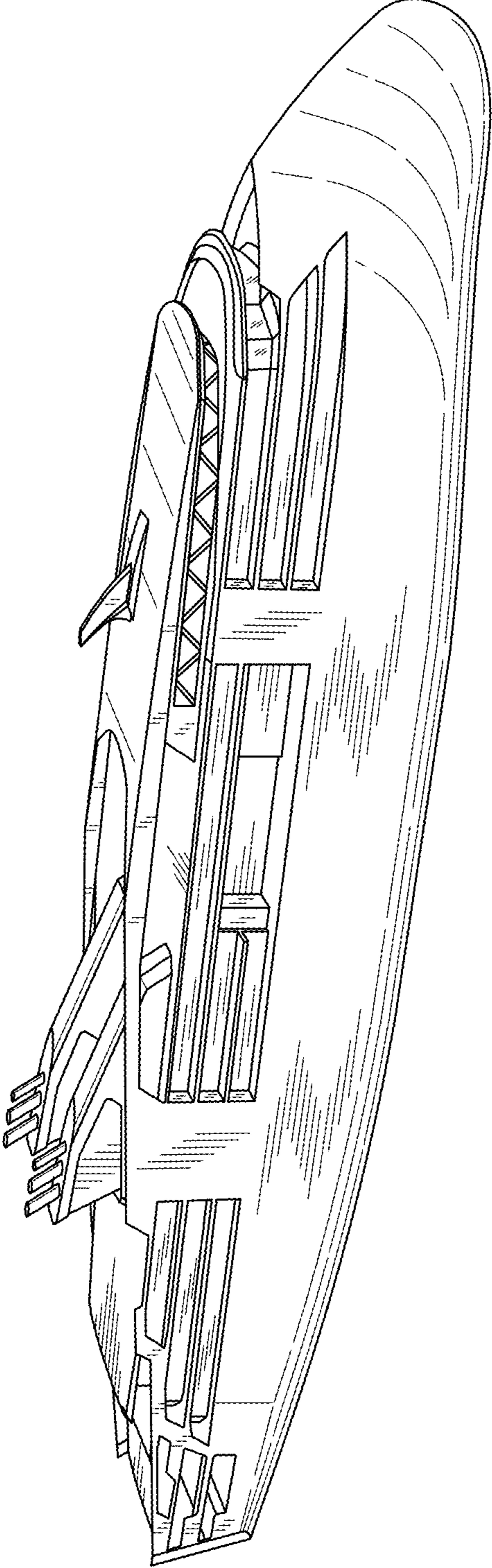
1.5

1.6

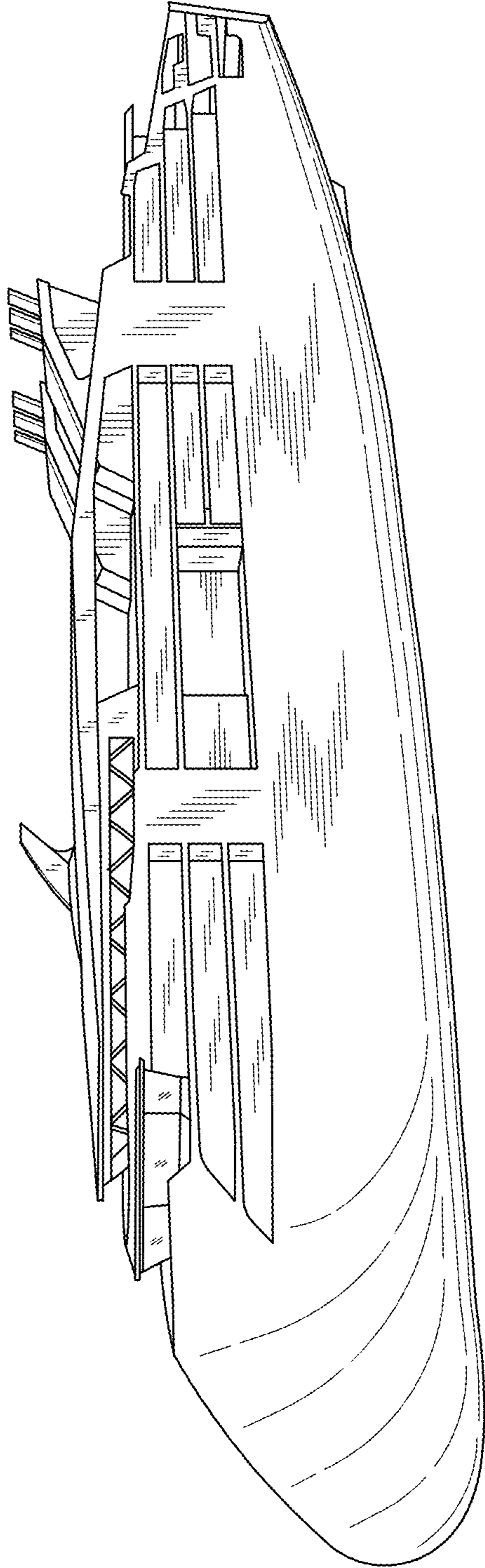


1.7



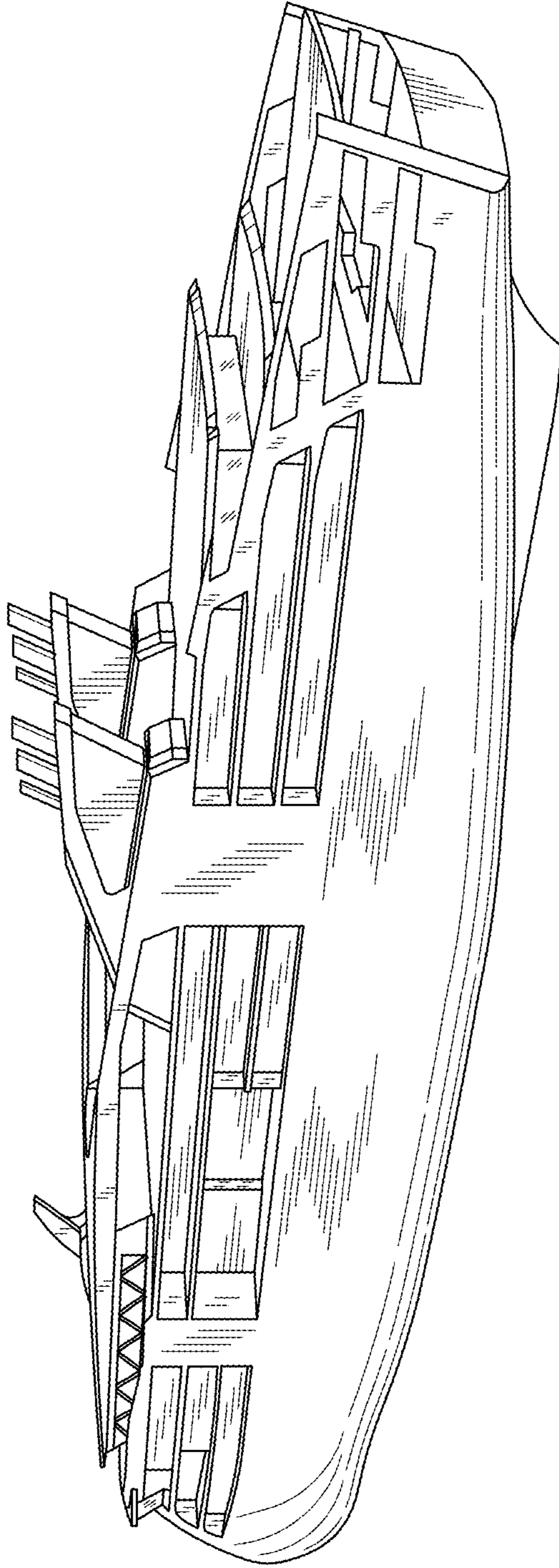


1.8

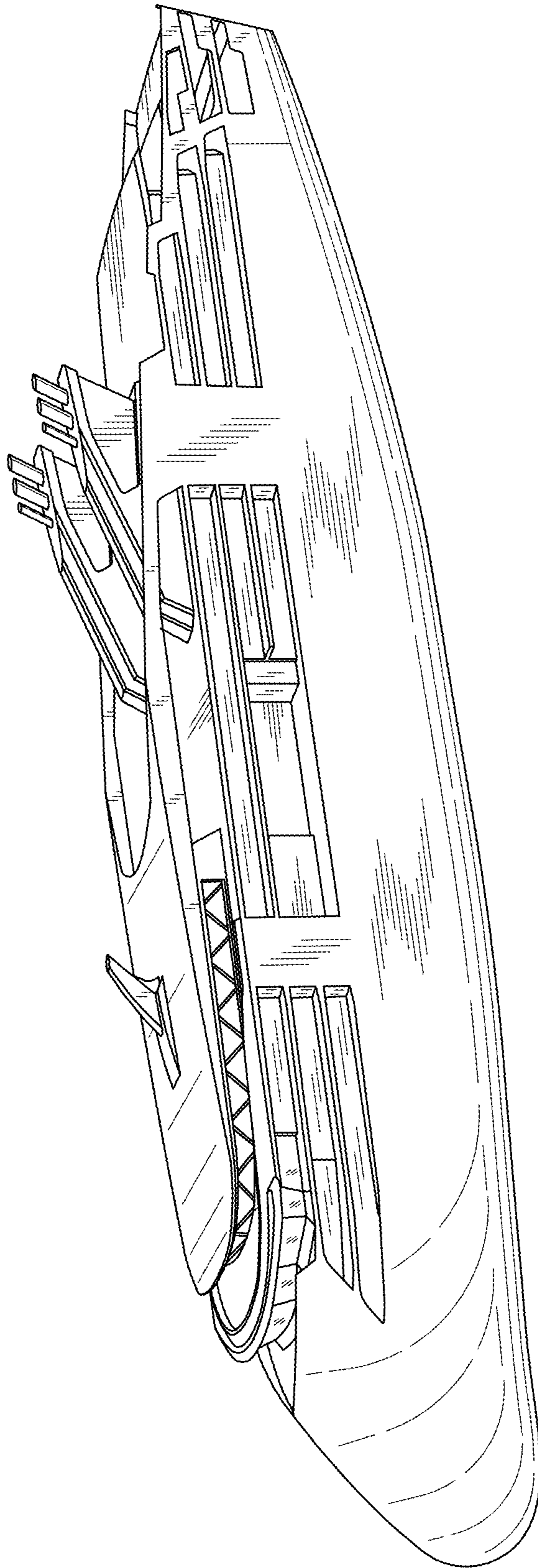


1.9

1.10



1.11



1.12



1.13

