

US00D946487S

(12) **United States Design Patent** (10) **Patent No.:** **US D946,487 S**  
**Bonan** (45) **Date of Patent:** **\*\* Mar. 22, 2022**

(54) **HULL**  
(71) Applicant: **DECATHLON**, Villeneuve d'Ascq (FR)  
(72) Inventor: **Anne-Laure Bonan**, Bayonne (FR)  
(73) Assignee: **DECATHLON**, Villeneuve d'Asco (FR)  
(\*\*) Term: **15 Years**  
(21) Appl. No.: **29/709,112**  
(22) Filed: **Oct. 11, 2019**

D822,778 S \* 7/2018 Strange ..... D21/769  
D875,865 S \* 2/2020 Steiner ..... D21/769  
D932,980 S \* 10/2021 Bonan ..... D12/303  
2017/0036742 A1 \* 2/2017 Hall ..... B63B 32/51  
2019/0263475 A1 \* 8/2019 Cooper ..... B63B 7/082  
(Continued)

**FOREIGN PATENT DOCUMENTS**

DE 202016006228 U1 \* 1/2018 ..... B63C 9/082  
FR 2910873 A1 \* 7/2008 ..... B63B 32/51  
WO WO-2013057395 A1 \* 4/2013 ..... B63B 15/02

**OTHER PUBLICATIONS**

Decathlon inflatable dinghy, Published on Jul. 22, 2019 [online], [retrieved on Dec. 30, 2020]. Retrieved from the Internet: [https://www.youtube.com/watch?v=r\\_ZeMwQ8pU8](https://www.youtube.com/watch?v=r_ZeMwQ8pU8) (Year: 2019).\*

*Primary Examiner* — Cary M Robinson  
*Assistant Examiner* — Adam C Mager  
(74) *Attorney, Agent, or Firm* — Fross, Zelnick, Lehrman & Zissu, PC; Charles T. J. Weigell, Esq.

(30) **Foreign Application Priority Data**  
Apr. 12, 2019 (EM) ..... 006375952  
(51) **LOC (13) Cl.** ..... **29-02**  
(52) **U.S. Cl.**  
USPC ..... **D12/300**  
(58) **Field of Classification Search**  
USPC ..... D12/300, 302, 303, 304, 306, 307, 310, D12/311, 312, 313, 314, 316, 318, 400; D21/542, 760, 769, 801, 802, 803  
CPC ..... B63B 32/00; B63B 32/40; B63B 32/51; B63B 32/56; B63B 34/00; B63B 34/22; B63B 34/23; B63B 2035/002; B63B 2035/009; B63B 7/00; B63B 7/04; B63B 7/06; B63B 7/08; B63B 35/00; B63B 2007/003; B63H 7/00; B63H 9/04  
See application file for complete search history.

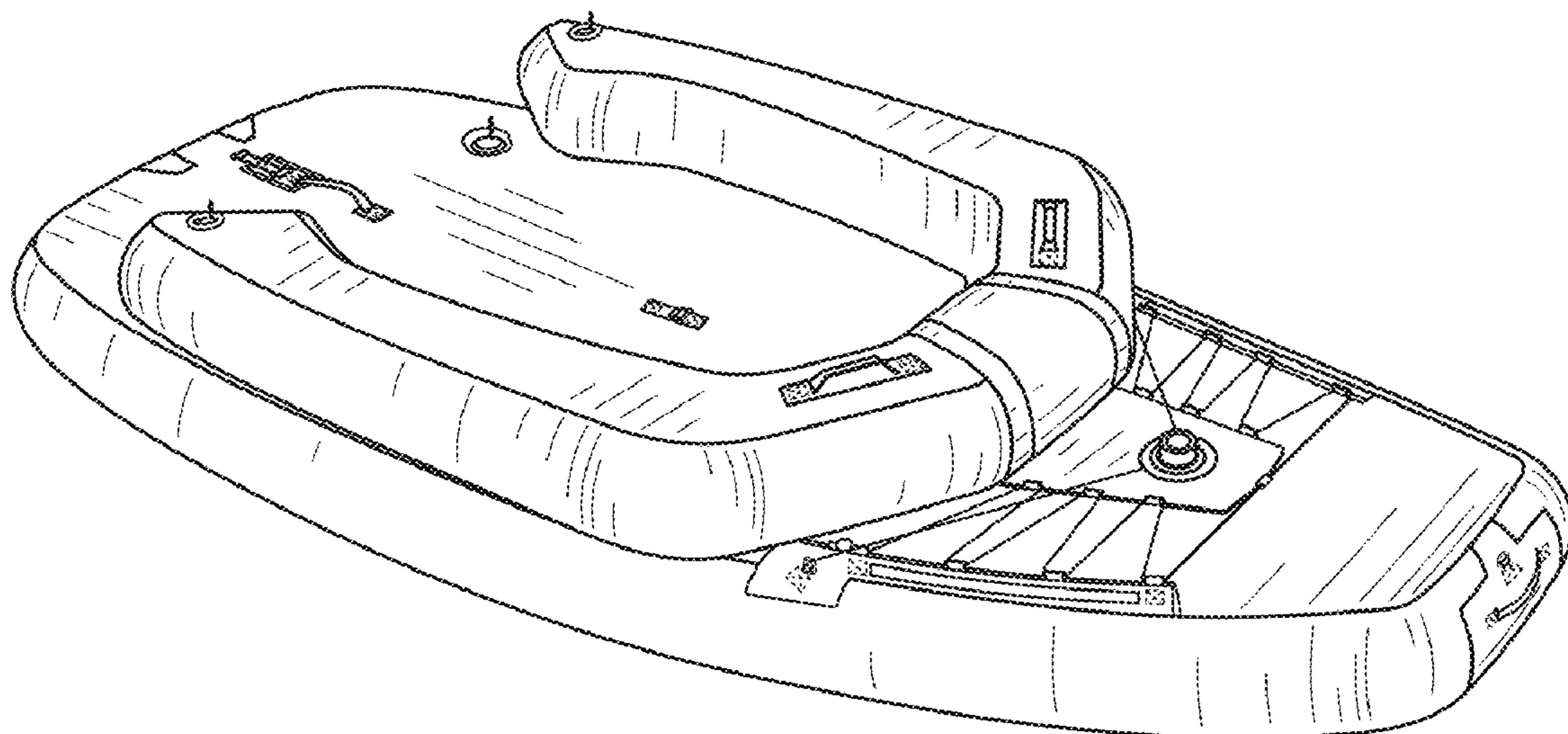
(57) **CLAIM**  
The ornamental design for a hull, as shown and described.

**DESCRIPTION**

FIG. 1 is a right perspective view of a hull showing my new design;  
FIG. 2 is a front view thereof;  
FIG. 3 is a rear view thereof;  
FIG. 4 is a left side view thereof;  
FIG. 5 is a right side view thereof;  
FIG. 6 is a top view thereof; and,  
FIG. 7 is a bottom view thereof.  
The broken line showing is included for the purpose of illustrating portions of the hull and forms no part of the claimed design.

**1 Claim, 5 Drawing Sheets**

(56) **References Cited**  
**U.S. PATENT DOCUMENTS**  
3,150,385 A \* 9/1964 Gerber ..... B63B 3/08 114/352  
4,214,547 A \* 7/1980 Hetland ..... B63B 34/00 440/13  
D290,151 S \* 6/1987 Cashmere ..... D12/11  
9,611,015 B1 \* 4/2017 Borg ..... B63B 32/20



(56)

**References Cited**

U.S. PATENT DOCUMENTS

2020/0047864 A1\* 2/2020 Myer ..... B63H 5/02  
2020/0369344 A1\* 11/2020 Huang ..... B63H 16/10

\* cited by examiner

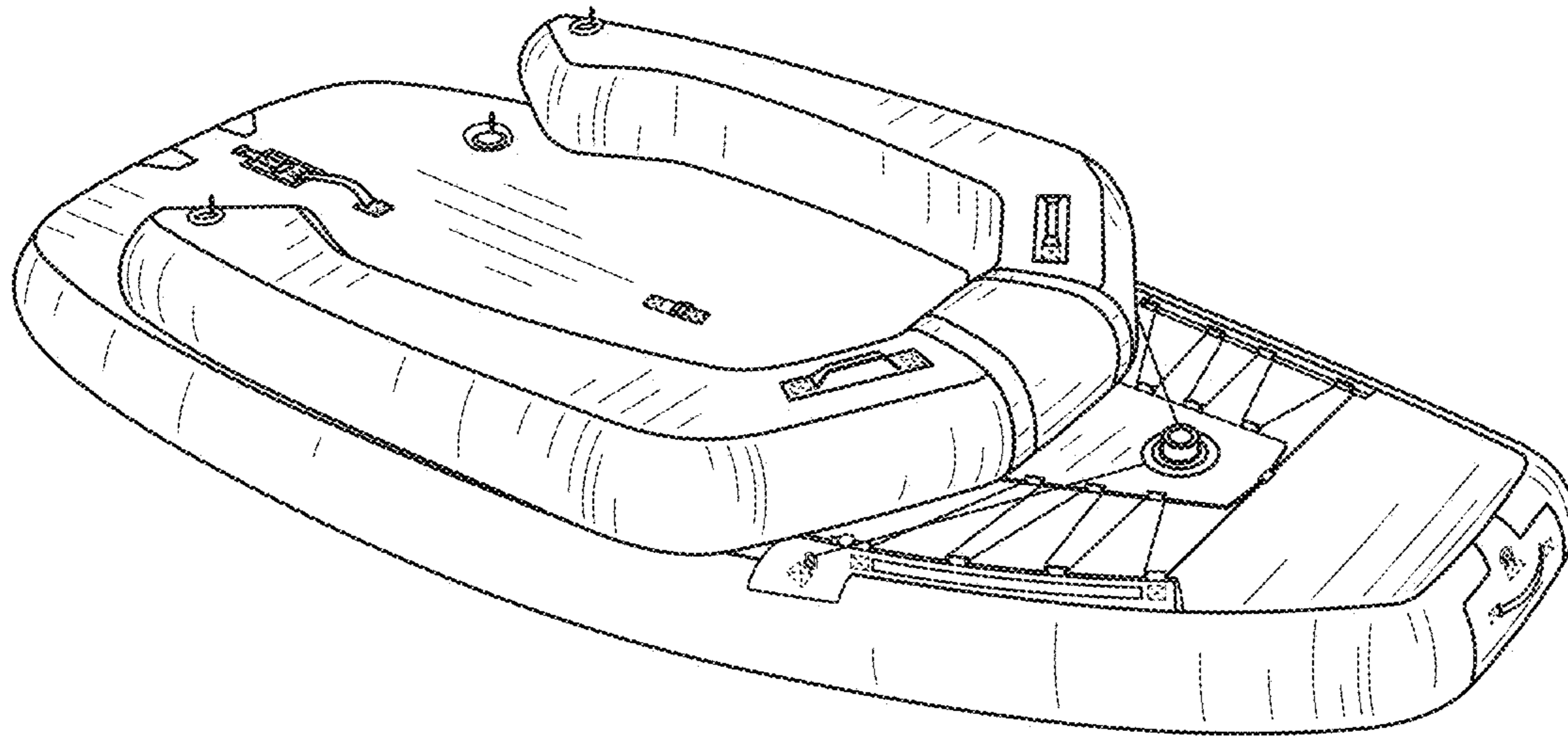


FIG. 1

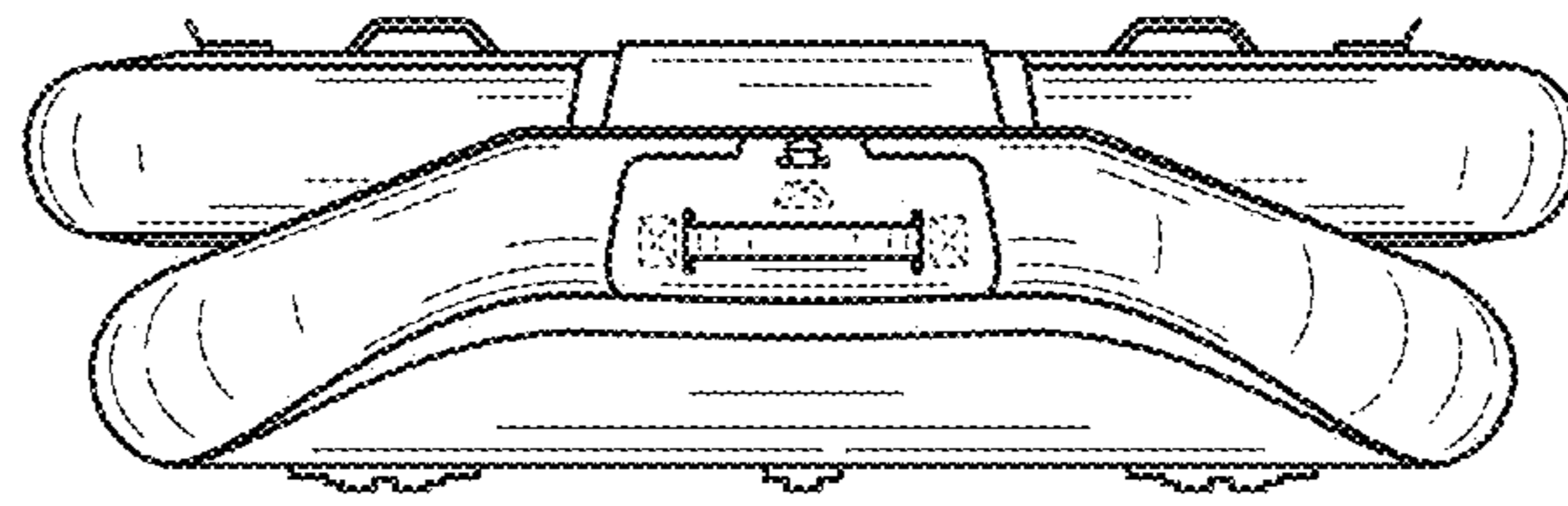


FIG. 2

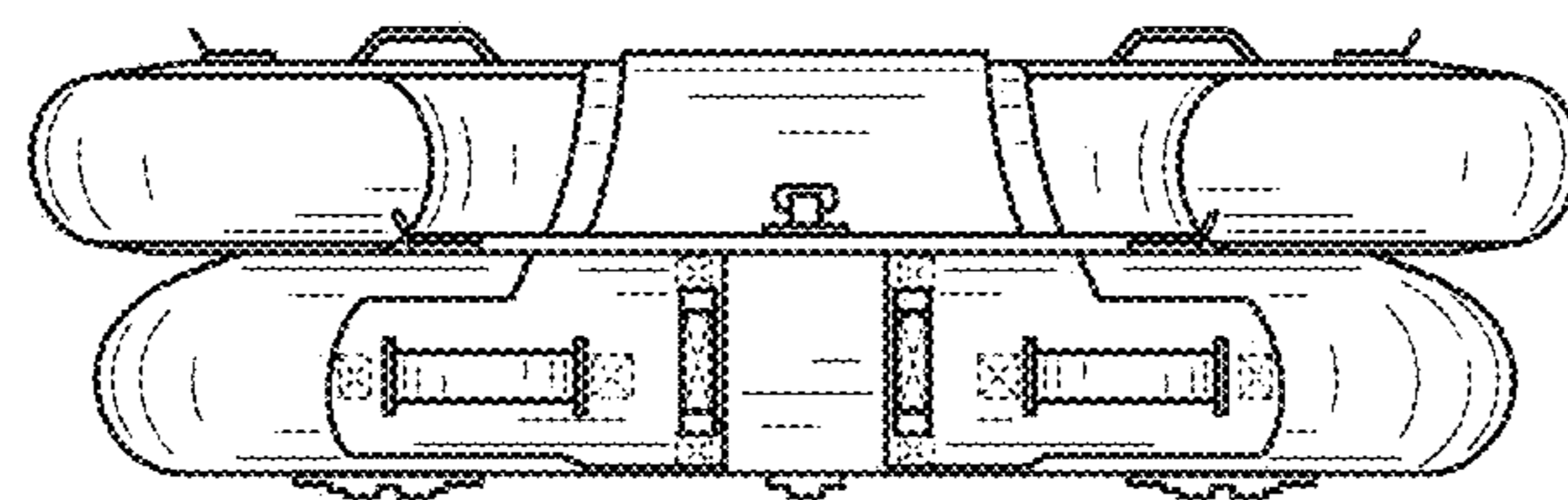


FIG. 3

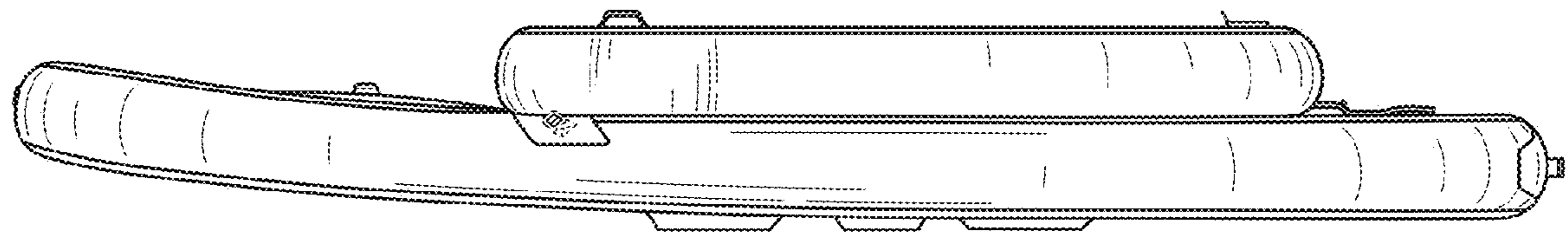


FIG. 4

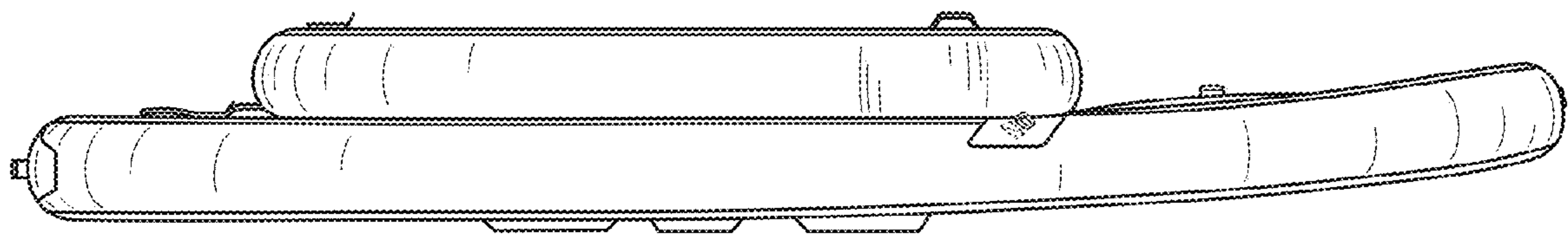


FIG. 5

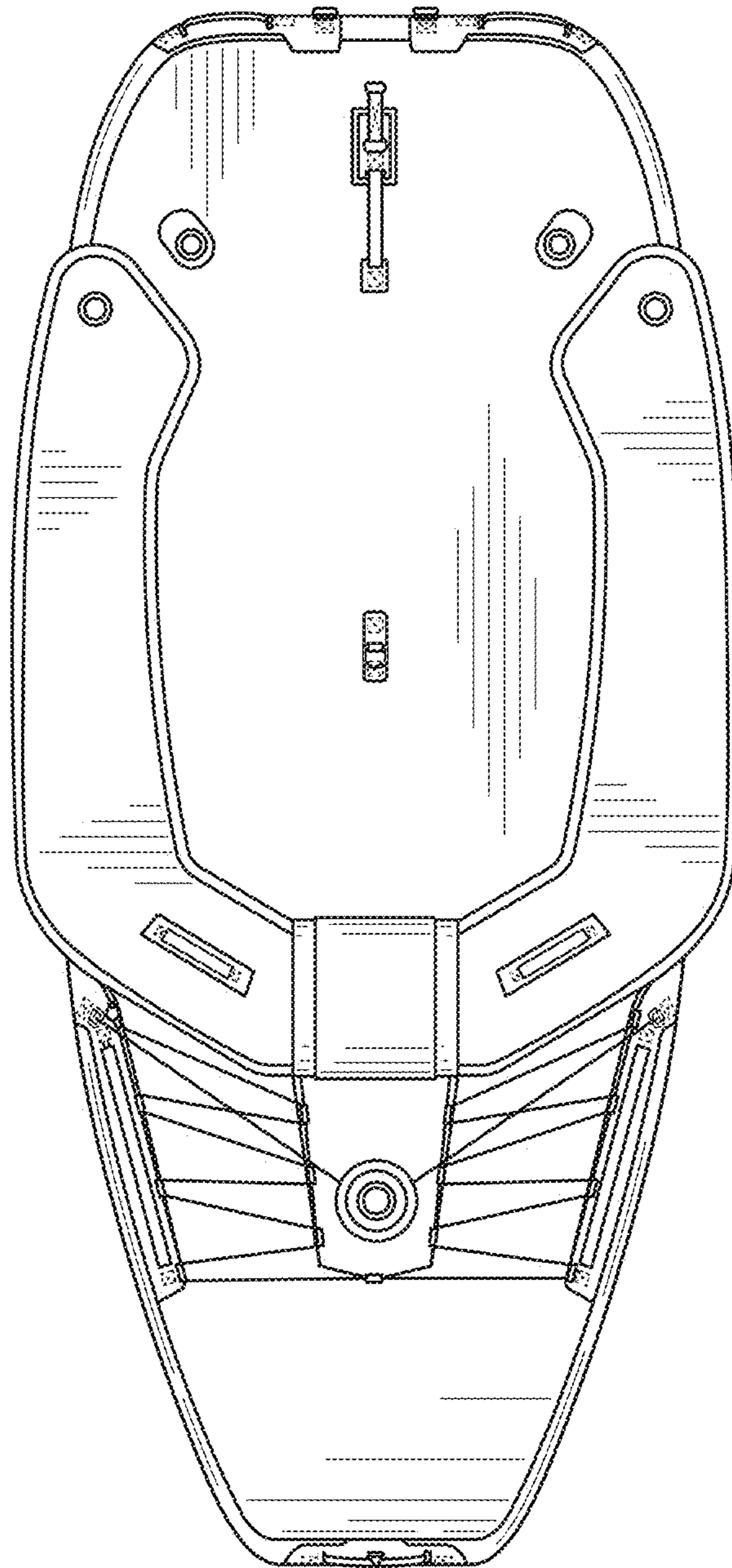


FIG. 6

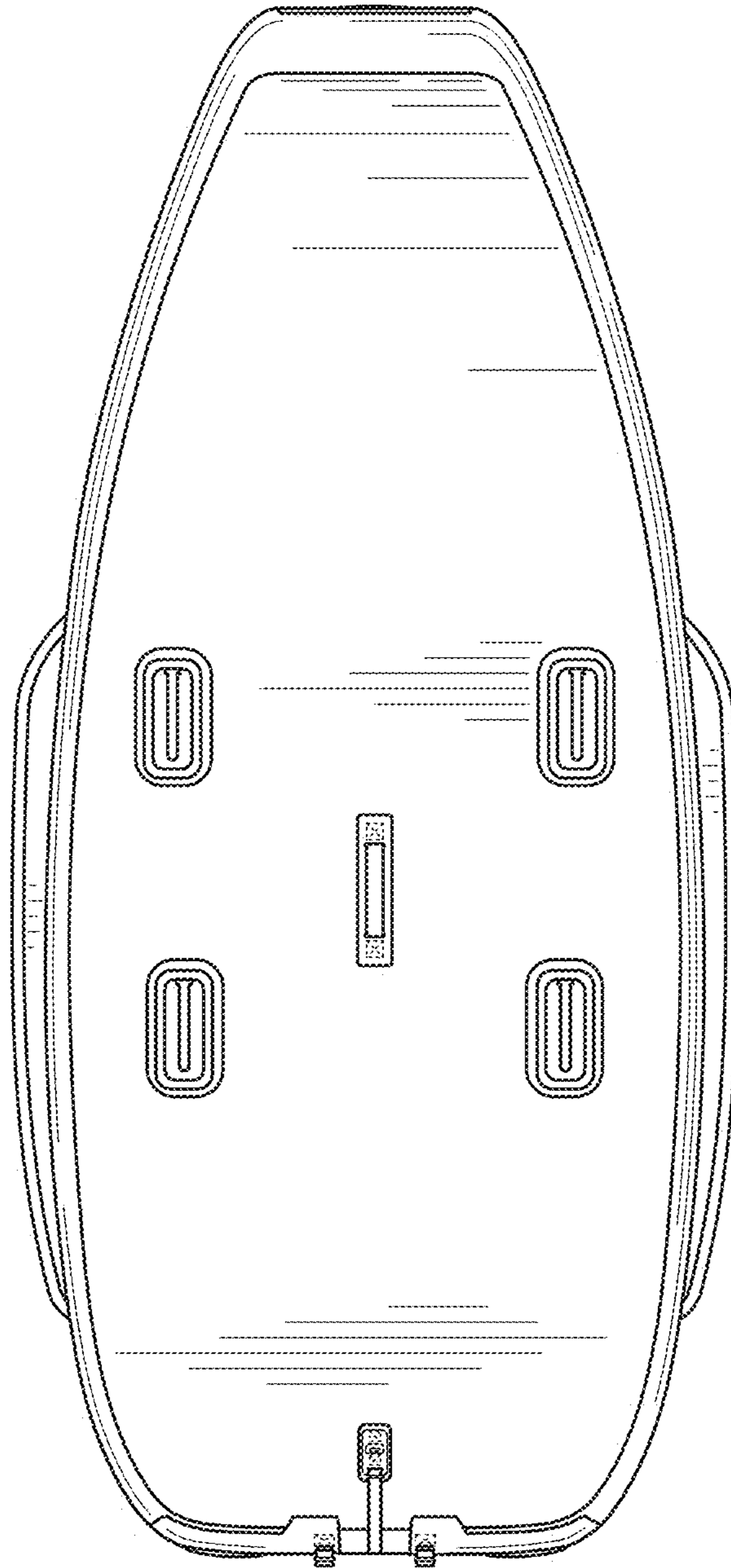


FIG. 7