



US00D946480S

(12) **United States Design Patent**
Keast

(10) **Patent No.:** **US D946,480 S**
(45) **Date of Patent:** **** Mar. 22, 2022**

(54) **CONTROL PANEL FOR A VEHICLE**

DESCRIPTION

- (71) Applicant: **Larry G. Keast**, Houston, TX (US)
- (72) Inventor: **Larry G. Keast**, Houston, TX (US)
- (**) Term: **15 Years**
- (21) Appl. No.: **29/753,707**
- (22) Filed: **Oct. 1, 2020**
- (51) **LOC (13) Cl.** **12-16**
- (52) **U.S. Cl.**
USPC **D12/192**
- (58) **Field of Classification Search**
USPC D12/192, 415, 114, 345; D15/17, 28;
D10/46, 98, 102-103, 122-127; D23/324
CPC B60H 1/34; B60H 1/3407; B60H 1/3414;
B60H 1/3421; B60H 1/3428; B60H
1/3435; B60H 1/3442; B60H 1/345;
B60H 1/3457; B60H 2001/3464; B60H
2001/3471; B60H 2001/3478; B60H
2001/3485
See application file for complete search history.

FIG. 1 is an upper top left side isometric view of a control panel for a vehicle, in accordance with the present disclosure;
 FIG. 2 is an upper top right side isometric view of the control panel of FIG. 1, in accordance with the present disclosure;
 FIG. 3 is a side view of the bottom side of the control panel of FIG. 1, in accordance with the present disclosure;
 FIG. 4 is a side view of the top side of the control panel of FIG. 1, in accordance with the present disclosure;
 FIG. 5 is a downward view of the top surface of the control panel of FIG. 1, in accordance with the present disclosure;
 FIG. 6 is an upward view of the bottom surface of the control panel of FIG. 1, in accordance with the present disclosure;
 FIG. 7 is a longitudinal left side view of the control panel of FIG. 1, in accordance with the present disclosure;
 FIG. 8 is a longitudinal right side view of the control panel of FIG. 1, in accordance with the present disclosure;
 FIG. 9 is a bottom right side isometric view of the control panel of FIG. 1, in accordance with the present disclosure;
 and,
 FIG. 10 is a bottom left side isometric view of the control panel of FIG. 1, in accordance with the present disclosure.
 Broken lines used in the figures to illustrate a handle, such as a parking brake handle for a vehicle, is for the purpose of depicting the control panel as it would be installed or otherwise disposed on the handle and forms no part of the claimed design.
 Broken lines used in the figures to illustrate text and other graphics is for the purpose of depicting to a user how the control panel might display graphics and forms no part of the claimed design.
 The nature and intended use of the article in which the design is embodied is for the occasion of a driver desiring to control one or more functions of a vehicle via simple touch operation of a control panel. The control panel may be installed on or otherwise disposed around a vehicle component, such as the handle of a parking brake.

(56) **References Cited**

U.S. PATENT DOCUMENTS

- D794,538 S * 8/2017 Ahn D12/415
- D862,365 S * 10/2019 Kang D12/415
- D871,311 S * 12/2019 TenBrink D12/415
- D897,968 S * 10/2020 Beilfuss D13/162
- D905,091 S * 12/2020 Henry D14/487

(Continued)

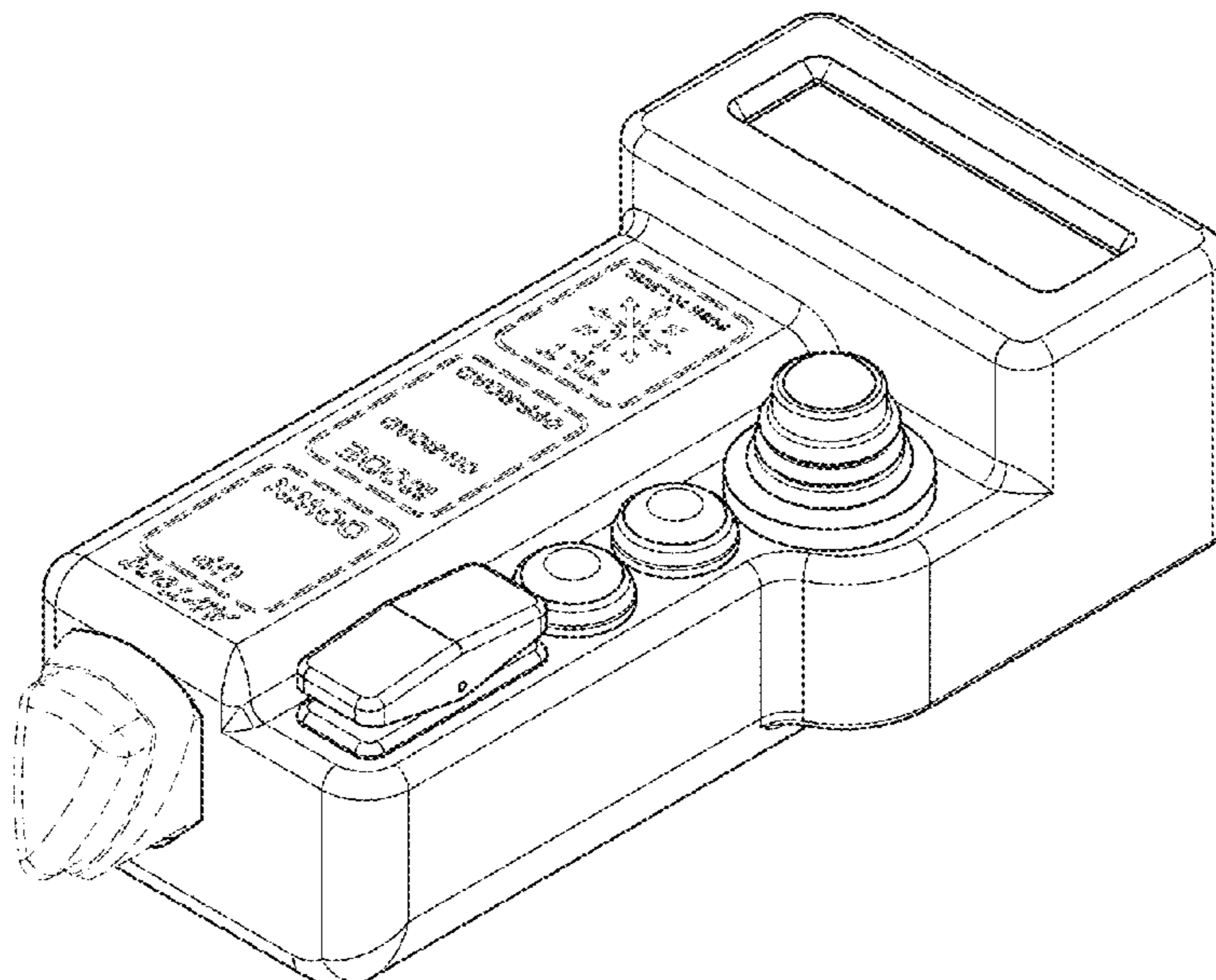
Primary Examiner — Katrina A Betton

(74) *Attorney, Agent, or Firm* — Rao DeBoer Osterrieder, PLLC; John M. DeBoer

(57) **CLAIM**

The ornamental design of a control panel for a vehicle, as shown and described.

1 Claim, 3 Drawing Sheets



(56)

References Cited

U.S. PATENT DOCUMENTS

D906,944 S *	1/2021	Velet	B64D 13/00 D12/345
D906,999 S *	1/2021	Chen	D14/155
D915,256 S *	4/2021	Dellemann	D15/28
D918,397 S *	5/2021	Augustyn	D24/186
D923,667 S *	6/2021	Mochizuki	D15/89
D931,913 S *	9/2021	Mochizuki	D15/89
D940,671 S *	1/2022	DeVito	D13/184
D940,882 S *	1/2022	Nally	D24/186

* cited by examiner

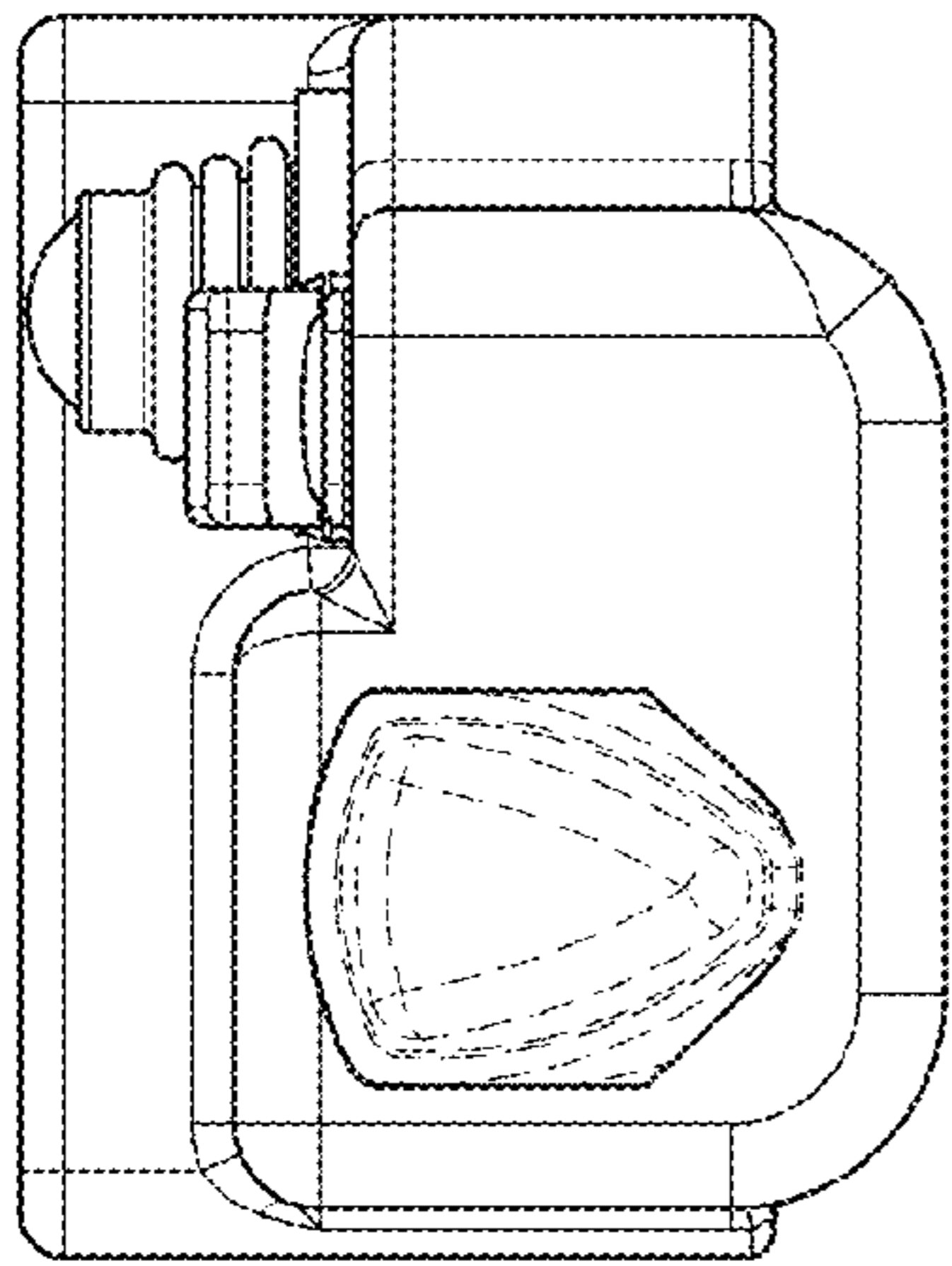


FIGURE 4

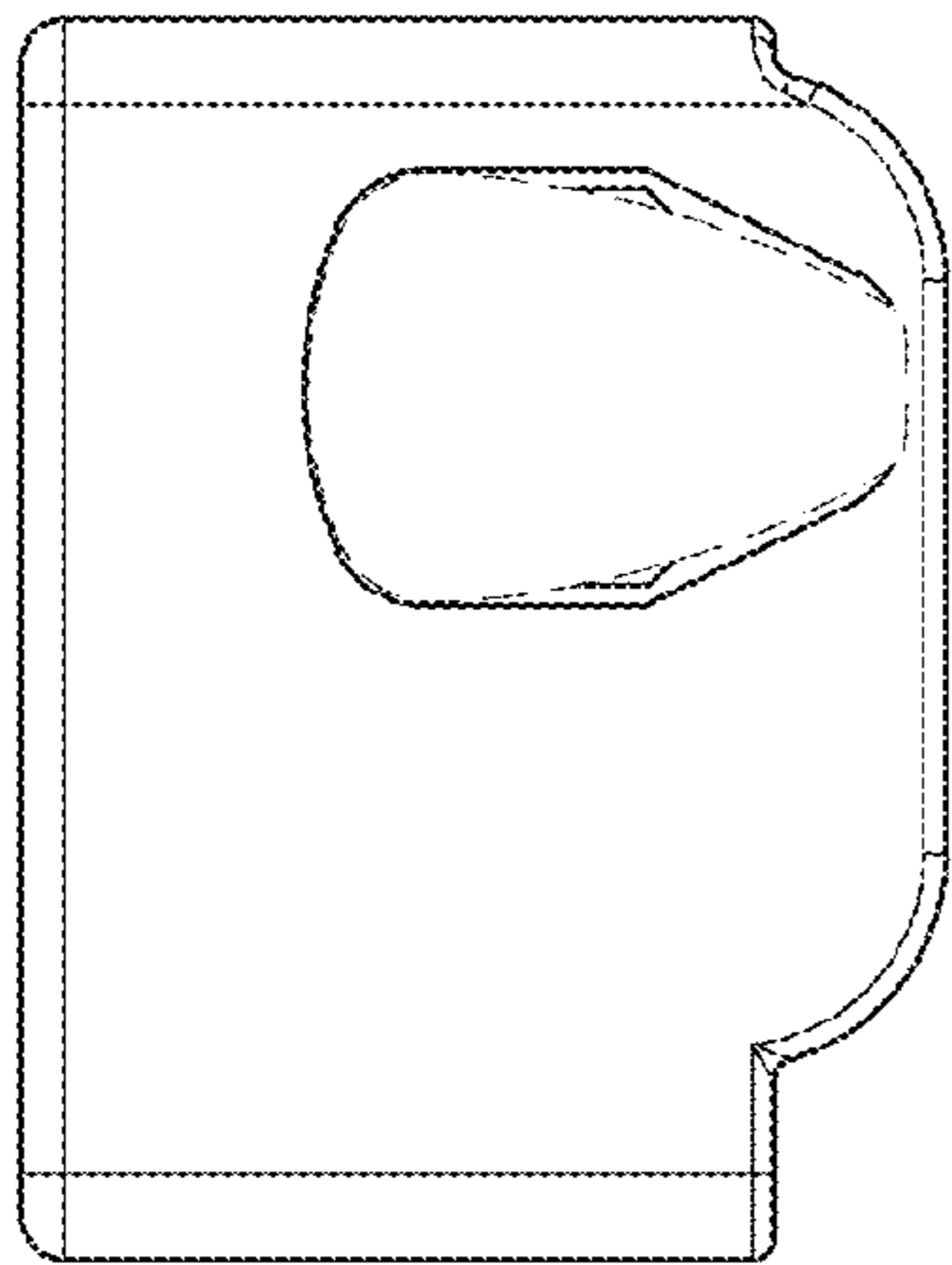


FIGURE 3

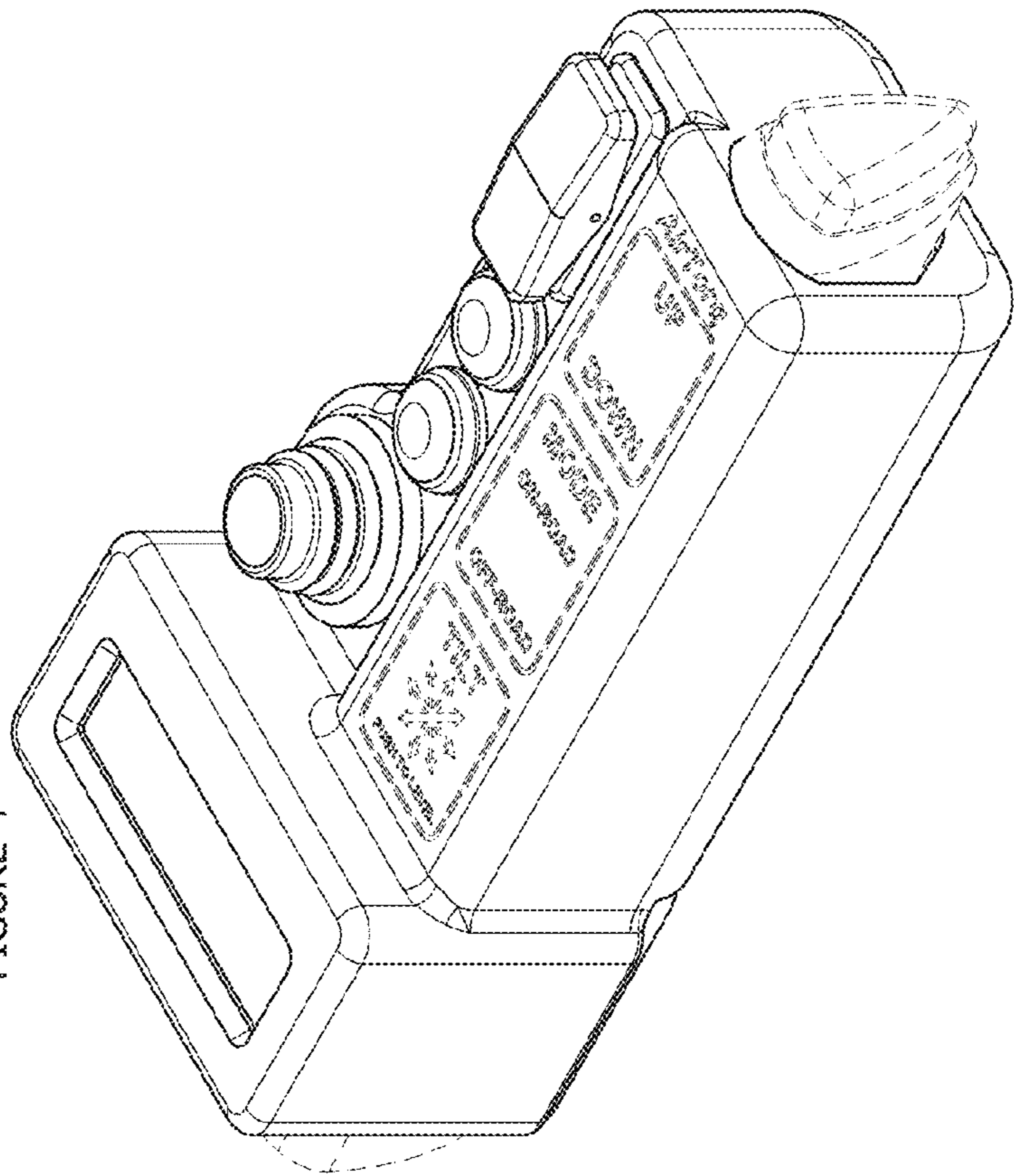


FIGURE 2

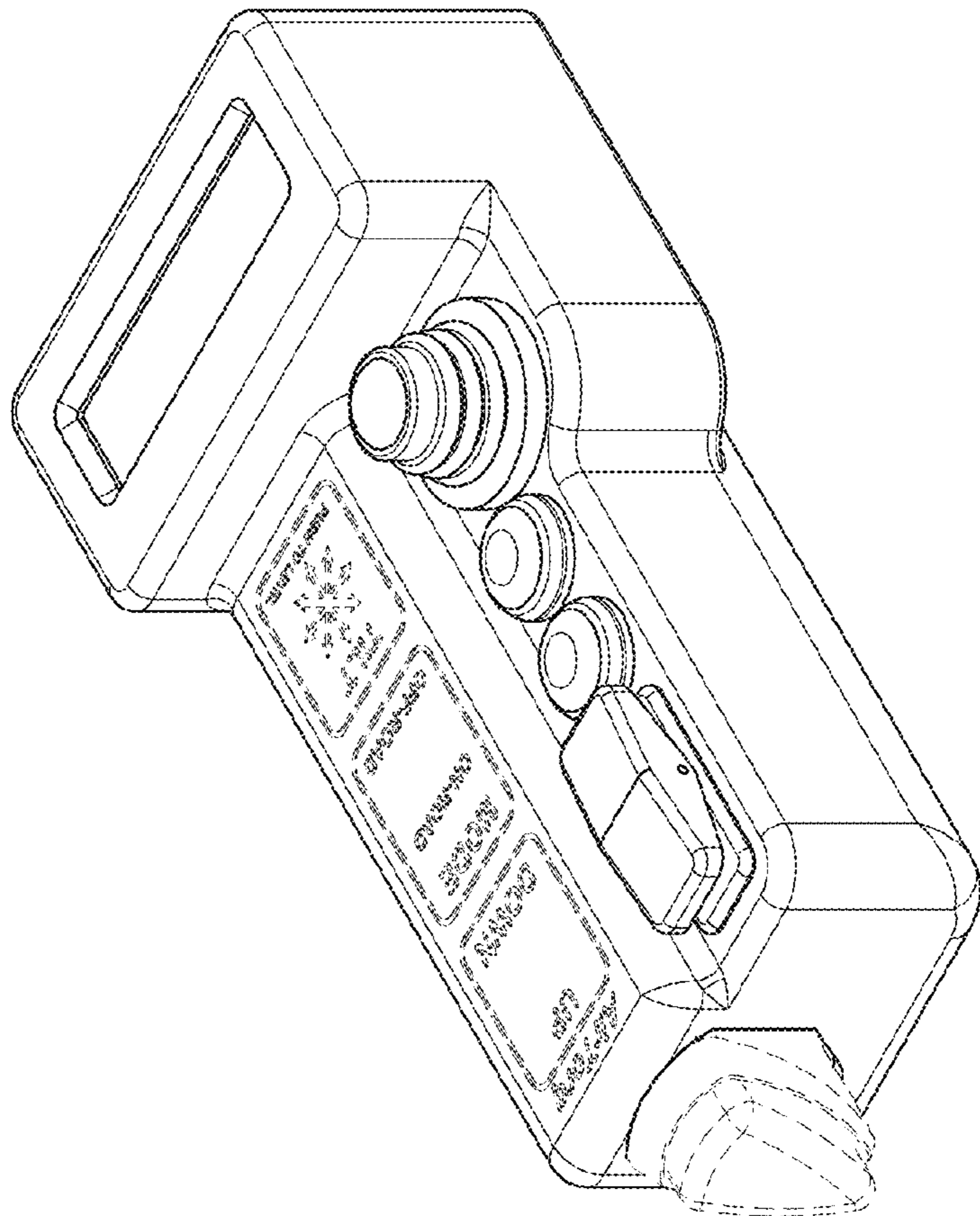


FIGURE 1

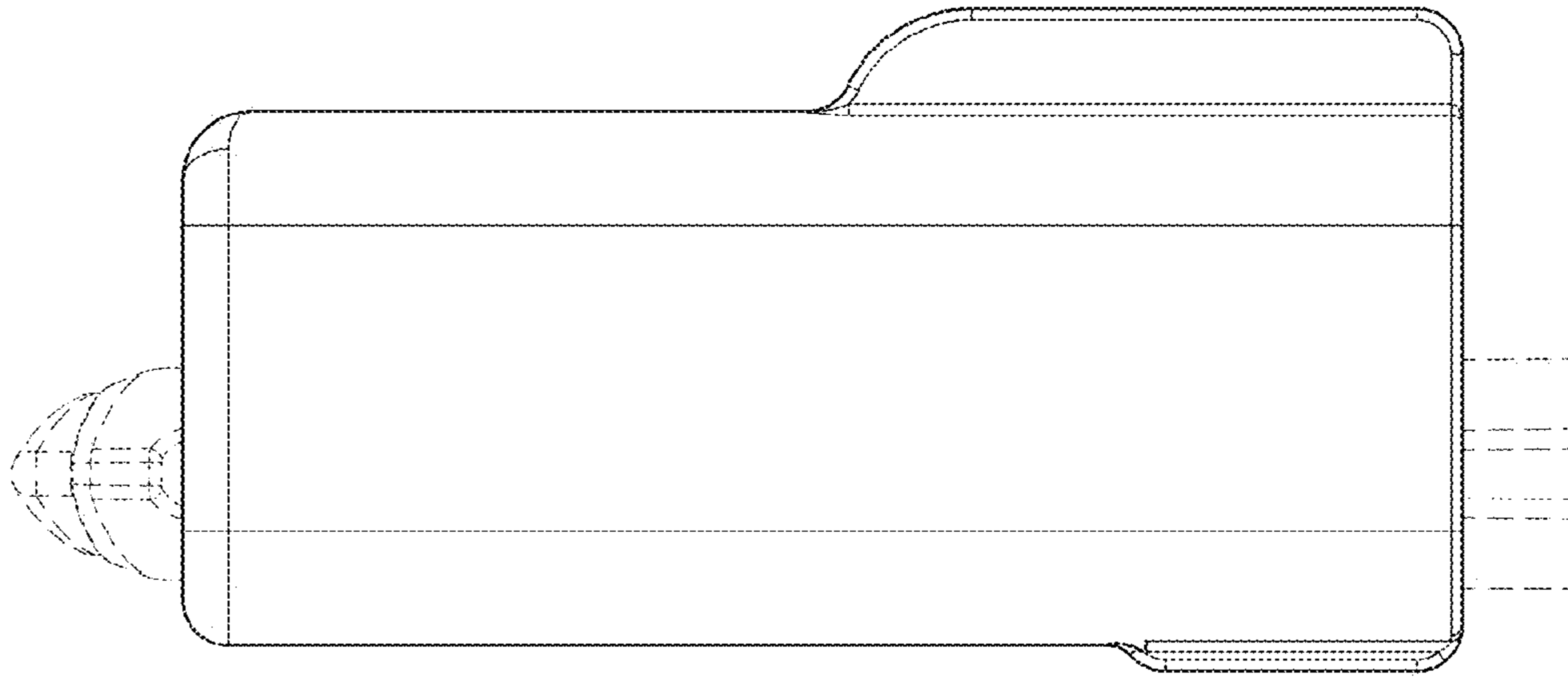


FIGURE 6

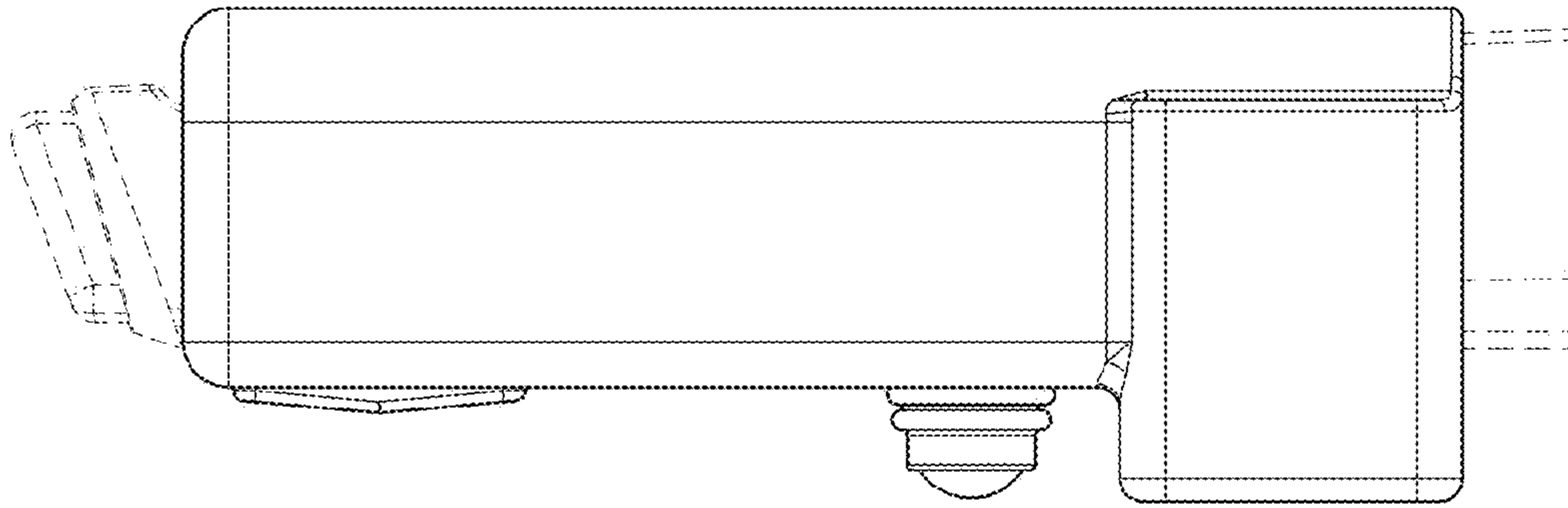


FIGURE 8

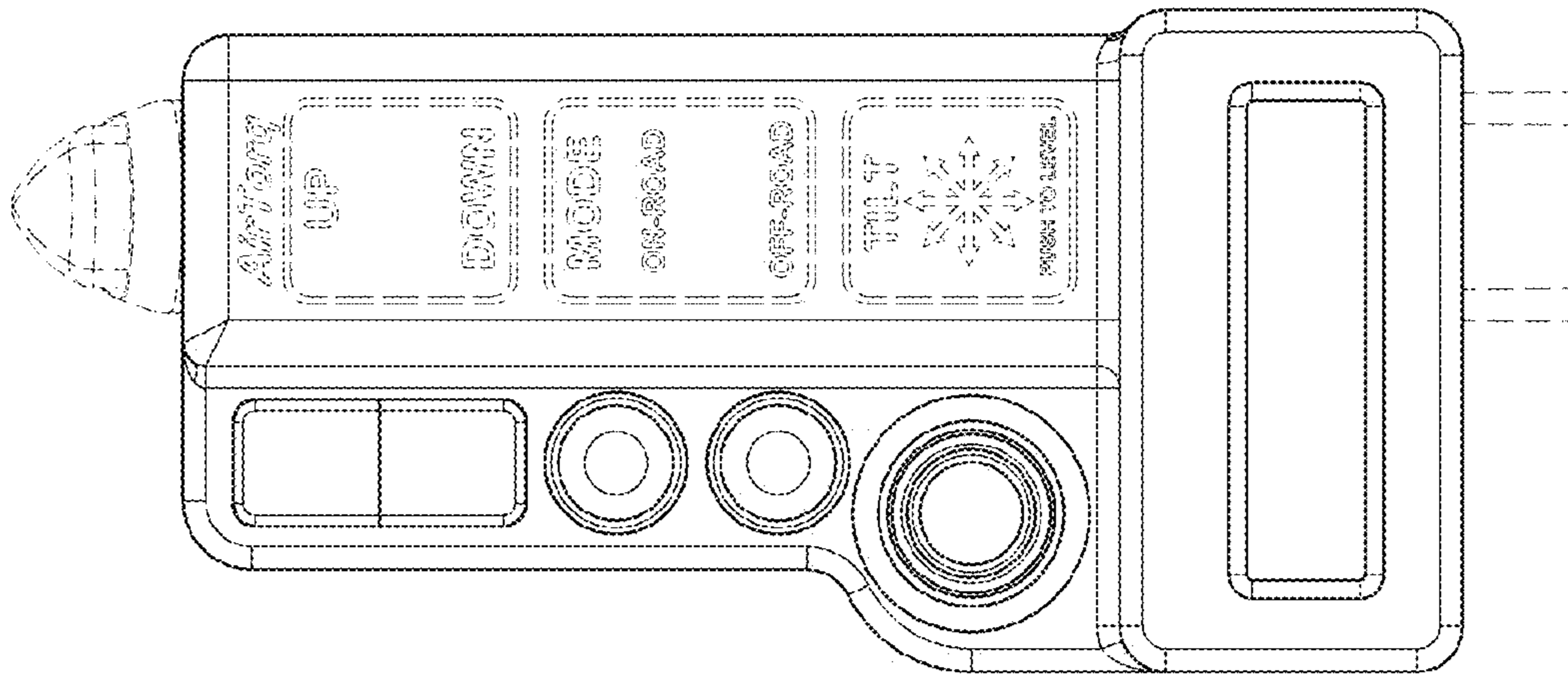


FIGURE 5

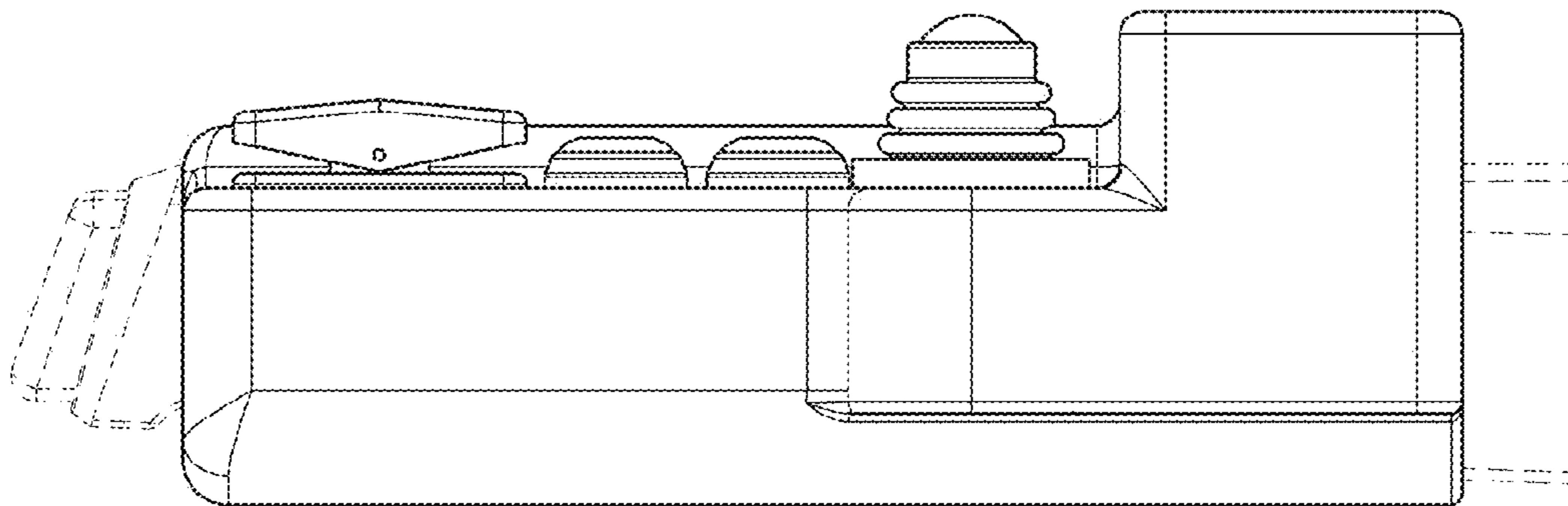


FIGURE 7

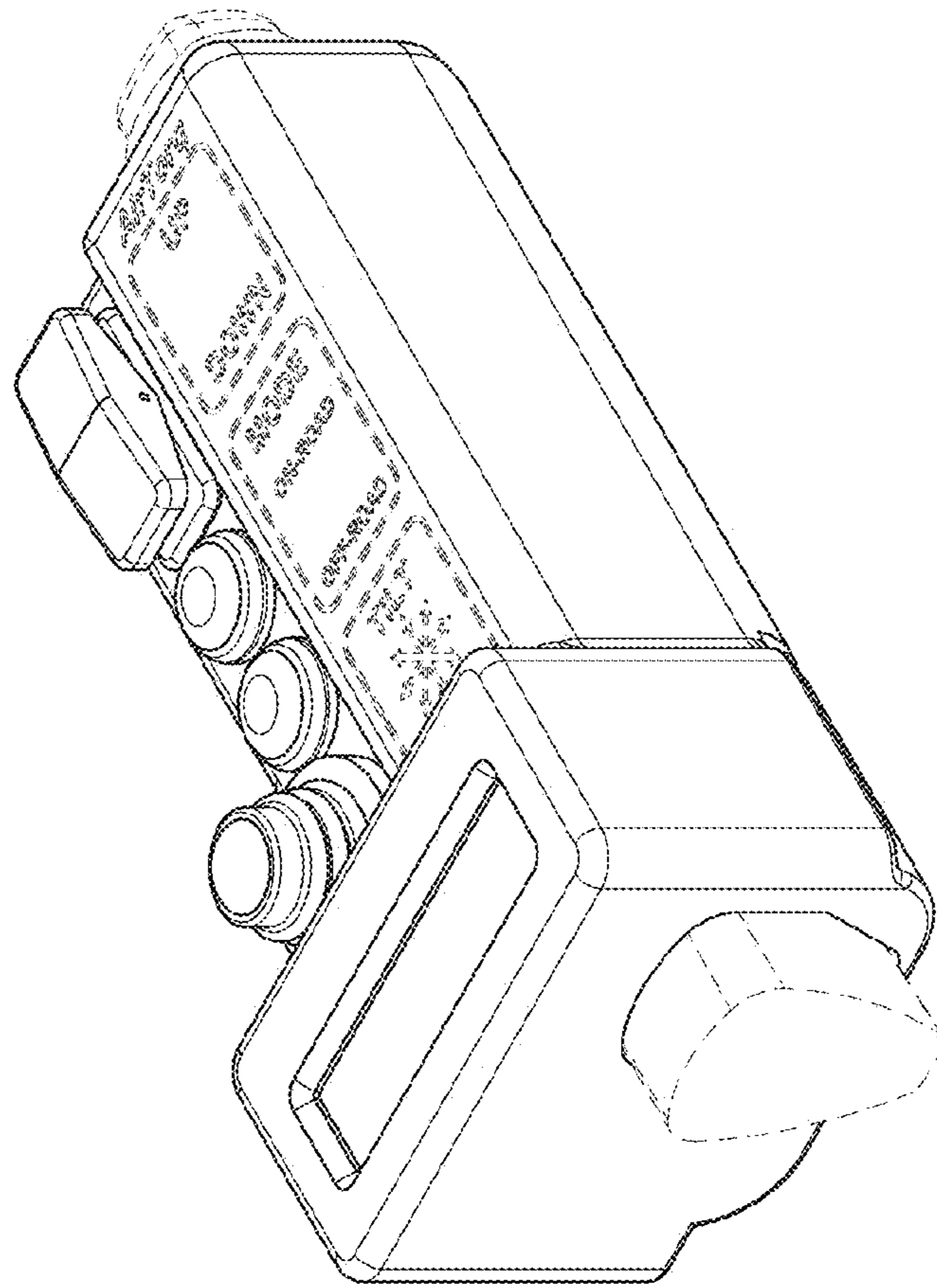


FIGURE 10

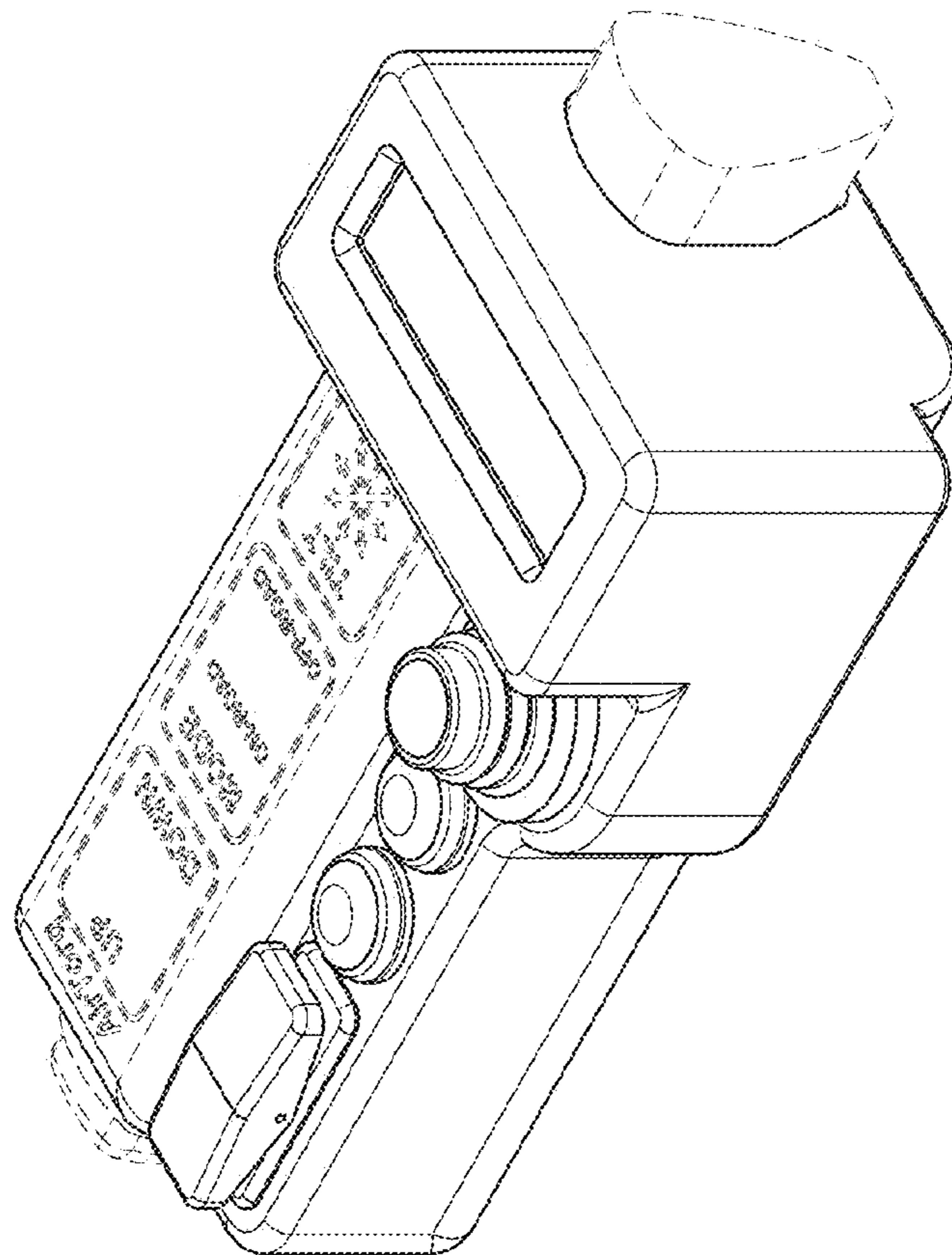


FIGURE 9