



US00D946478S

(12) **United States Design Patent**  
**Park et al.**

(10) **Patent No.:** **US D946,478 S**  
(45) **Date of Patent:** **\*\* Mar. 22, 2022**

(54) **STEERING WHEEL FOR AUTOMOBILE**

(71) Applicant: **LG ELECTRONICS INC.**, Seoul (KR)

(72) Inventors: **Sangmin Park**, Seoul (KR); **Romain Diboine**, Seoul (KR); **Inkoo Shim**, Seoul (KR)

(73) Assignee: **LG ELECTRONICS INC.**, Seoul (KR)

(\*\*) Term: **15 Years**

(21) Appl. No.: **35/509,993**

(22) Filed: **Feb. 6, 2020**

(80) **Hague Agreement Data**

Int. Filing Date: **Feb. 6, 2020**

Int. Reg. No.: **DM/206337**

Int. Reg. Date: **Feb. 6, 2020**

Int. Reg. Pub. Date: **Aug. 7, 2020**

(30) **Foreign Application Priority Data**

Aug. 29, 2019 (KR) ..... 30-2019-0041502

(51) **LOC (13) Cl.** ..... **12-16**

(52) **U.S. Cl.**  
USPC ..... **D12/176**

(58) **Field of Classification Search**  
USPC ..... D12/175, 176; D14/414; D21/333  
(Continued)

(56) **References Cited**

U.S. PATENT DOCUMENTS

D606,914 S \* 12/2009 Pohanka ..... D12/174  
7,845,457 B2 \* 12/2010 Baluch ..... B60K 20/06  
180/336

(Continued)

*Primary Examiner* — Darlington Ly

(74) *Attorney, Agent, or Firm* — Birch, Stewart, Kolasch & Birch, LLP

(57) **CLAIM**

The ornamental design for a steering wheel for automobile, as shown and described.

**DESCRIPTION**

1. Steering wheel for automobile

1.1 is a perspective view of a steering wheel for automobile embodying our new design;

1.2 is a front elevation view thereof;

1.3 is a rear elevation view thereof;

1.4 is a left side elevation view thereof;

1.5 is a right side elevation view thereof;

1.6 is a top plan view thereof;

1.7 is a bottom plan view thereof;

1.8 is a perspective view thereof in which the camera device embedded in the top portion of the steering wheel is popped-up;

1.9 is a front elevation view thereof in which the camera device embedded in the top portion of the steering wheel is popped-up;

1.10 is a rear elevation view thereof in which the camera device embedded in the top portion of the steering wheel is popped-up;

1.11 is a left side elevation view thereof in which the camera device embedded in the top portion of the steering wheel is popped-up;

1.12 is a right side elevation view thereof in which the camera device embedded in the top portion of the steering wheel is popped-up;

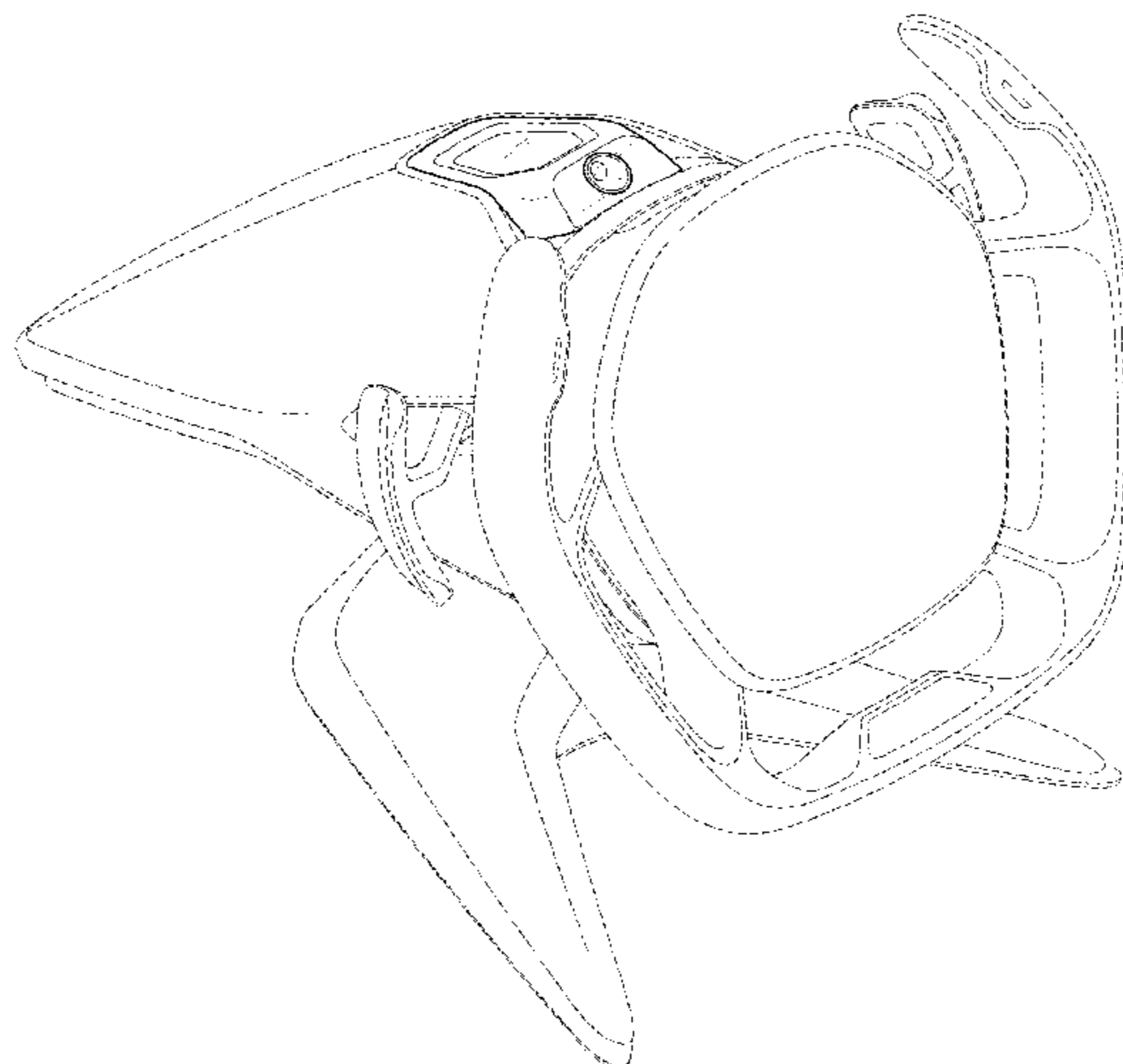
1.13 is a top plan view thereof in which the camera device embedded in the top portion of the steering wheel is popped-up; and

1.14 is a bottom plan view thereof in which the camera device embedded in the top portion of the steering wheel is popped-up.

Reproductions 1.1 to 1.8 show the claimed design before its change; reproductions 1.9 to 1.14 show that a DMS [Drive Monitoring System] camera embedded in the upper portion of the claimed design is popped-up.

The parts shown by means of broken lines in the reproductions are not part of the claimed design.

**1 Claim, 14 Drawing Sheets**



(58) **Field of Classification Search**

CPC ..... B60R 11/00; B60R 21/203; B60R 21/05;  
 B60R 21/2037; B62D 1/04; B62D 1/046;  
 B62D 1/06; F16H 59/02; F16H 61/0213  
 See application file for complete search history.

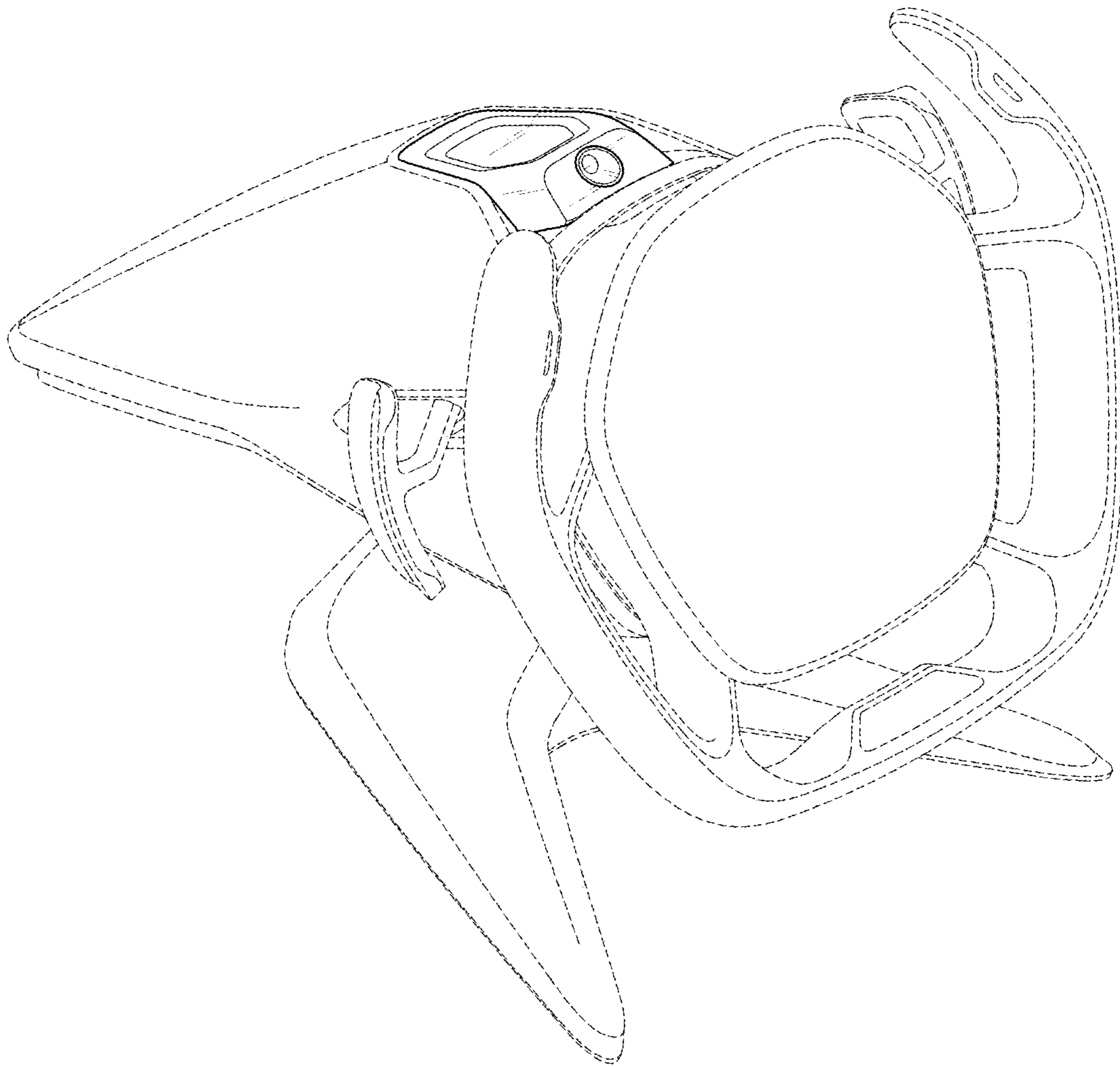
(56) **References Cited**

U.S. PATENT DOCUMENTS

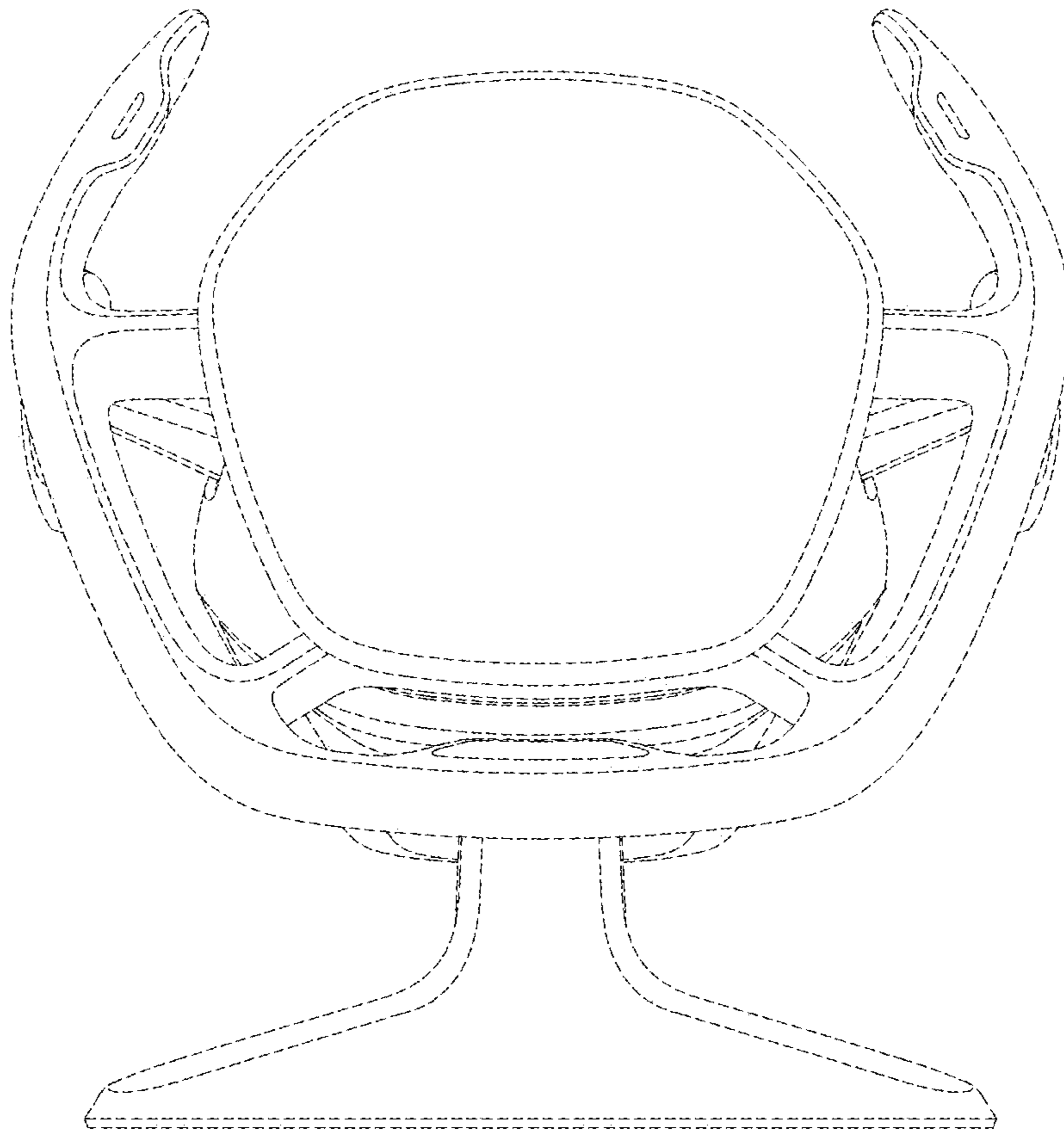
D696,992	S *	1/2014	Pohanka	.....	D12/176
D707,162	S *	6/2014	Finney	.....	D12/176
8,875,596	B2 *	11/2014	Walters	.....	F16H 59/02
					74/552
8,996,260	B2 *	3/2015	Sata	.....	F16H 61/0213
					701/51
D727,226	S *	4/2015	Mayerle	.....	D12/176
D756,865	S *	5/2016	Salome	.....	D12/175
D770,342	S *	11/2016	Pohanka	.....	D12/176
D784,871	S *	4/2017	Lee	.....	D12/176
D787,391	S *	5/2017	Sims	.....	D12/177
D792,299	S *	7/2017	Manzoni	.....	D12/176
D837,703	S *	1/2019	Sims	.....	D12/177
D838,218	S *	1/2019	Sims	.....	D12/177
D875,001	S *	2/2020	Moir	.....	D12/176
10,550,931	B2 *	2/2020	Adams	.....	F16H 59/0204
D881,089	S *	4/2020	Sham	.....	D12/176
D893,369	S *	8/2020	Kafantaris	.....	D12/176
10,843,562	B2 *	11/2020	Goulet	.....	B60K 20/06
D915,959	S *	4/2021	Sims	.....	D12/177
11,034,374	B2 *	6/2021	Banno	.....	B60R 21/2037
D924,757	S *	7/2021	Yu	.....	D12/176
11,066,092	B2 *	7/2021	Nonoyama	.....	B60R 11/00

\* cited by examiner

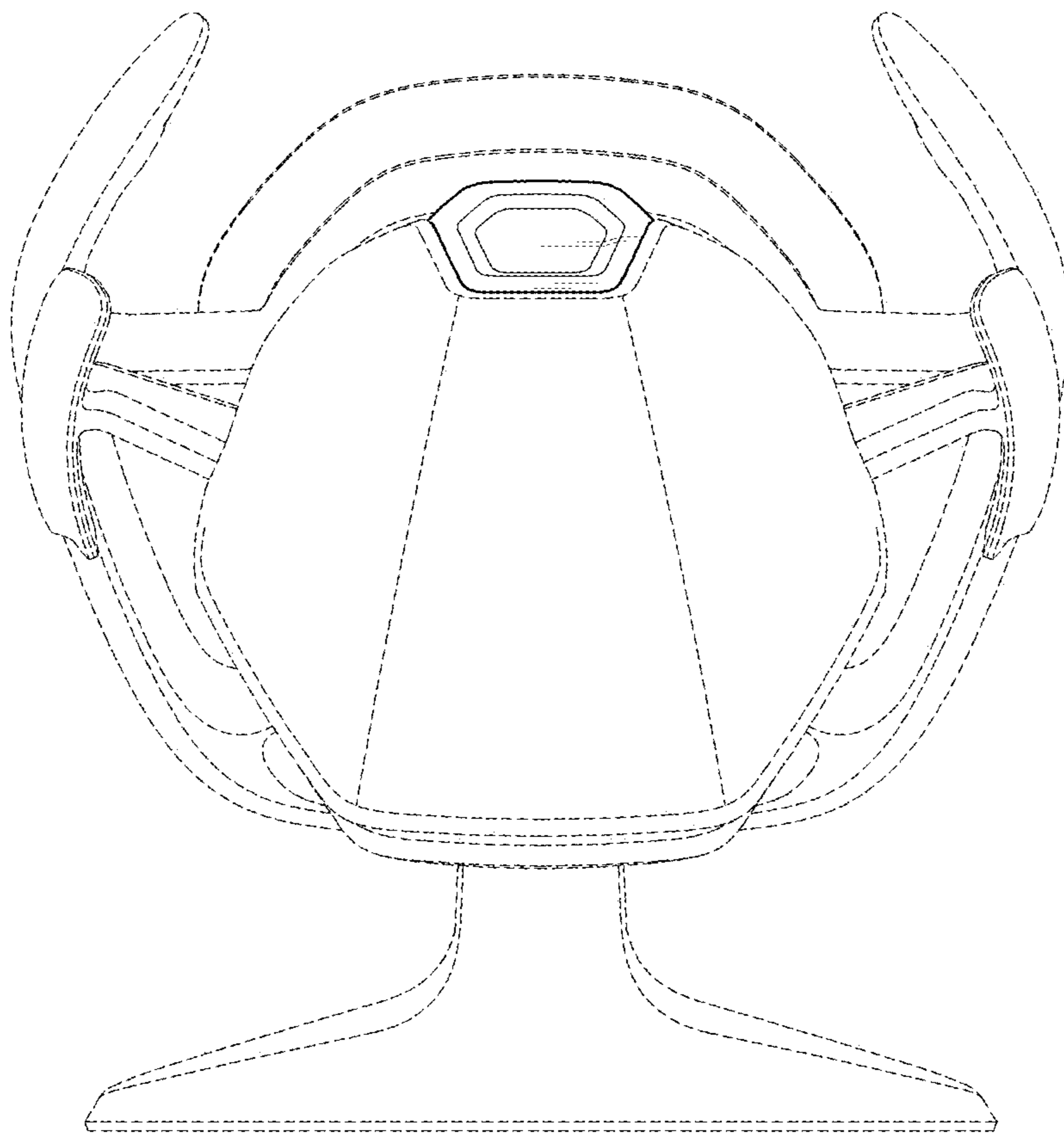
1.1



1.2

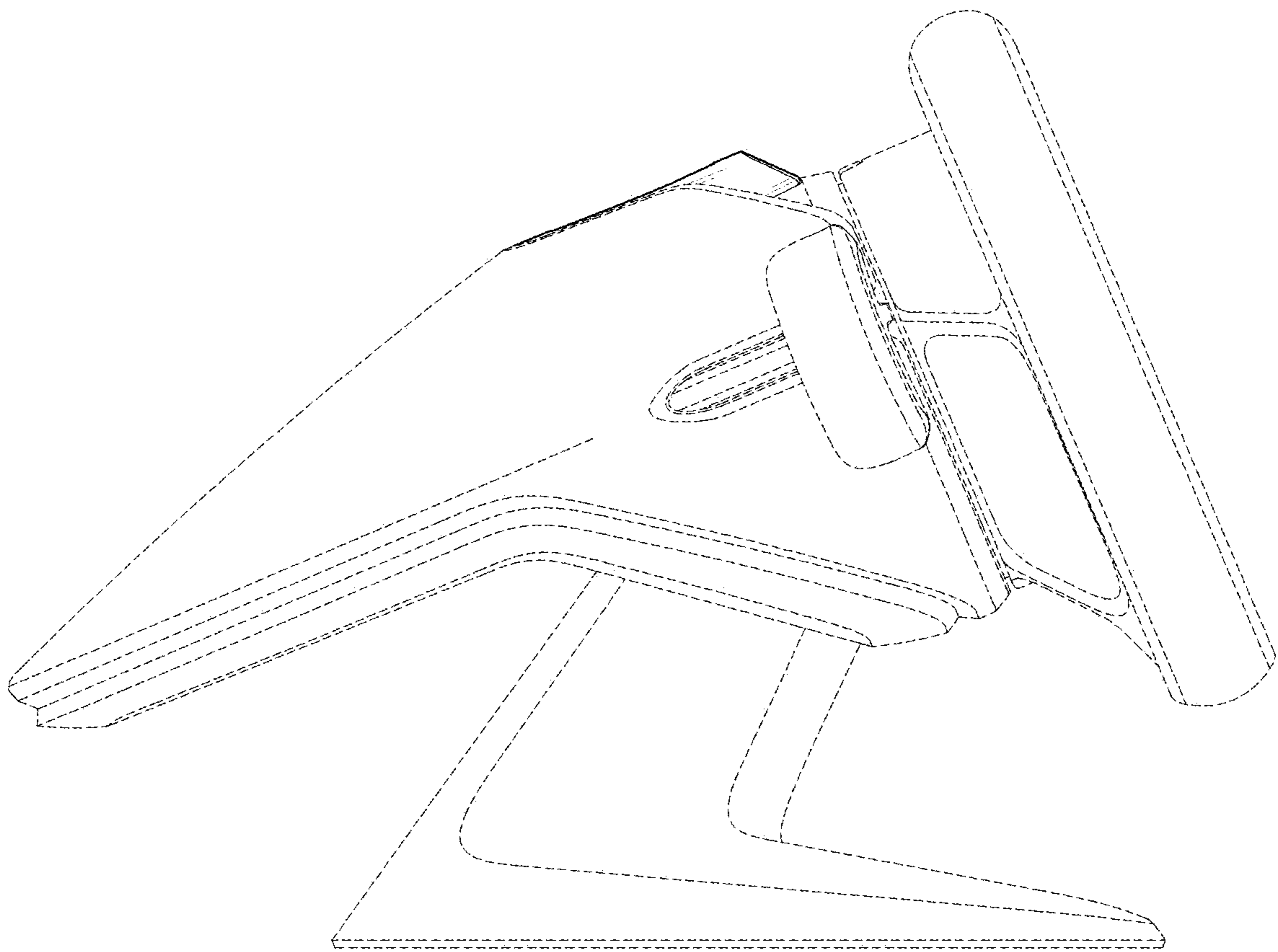


1.3

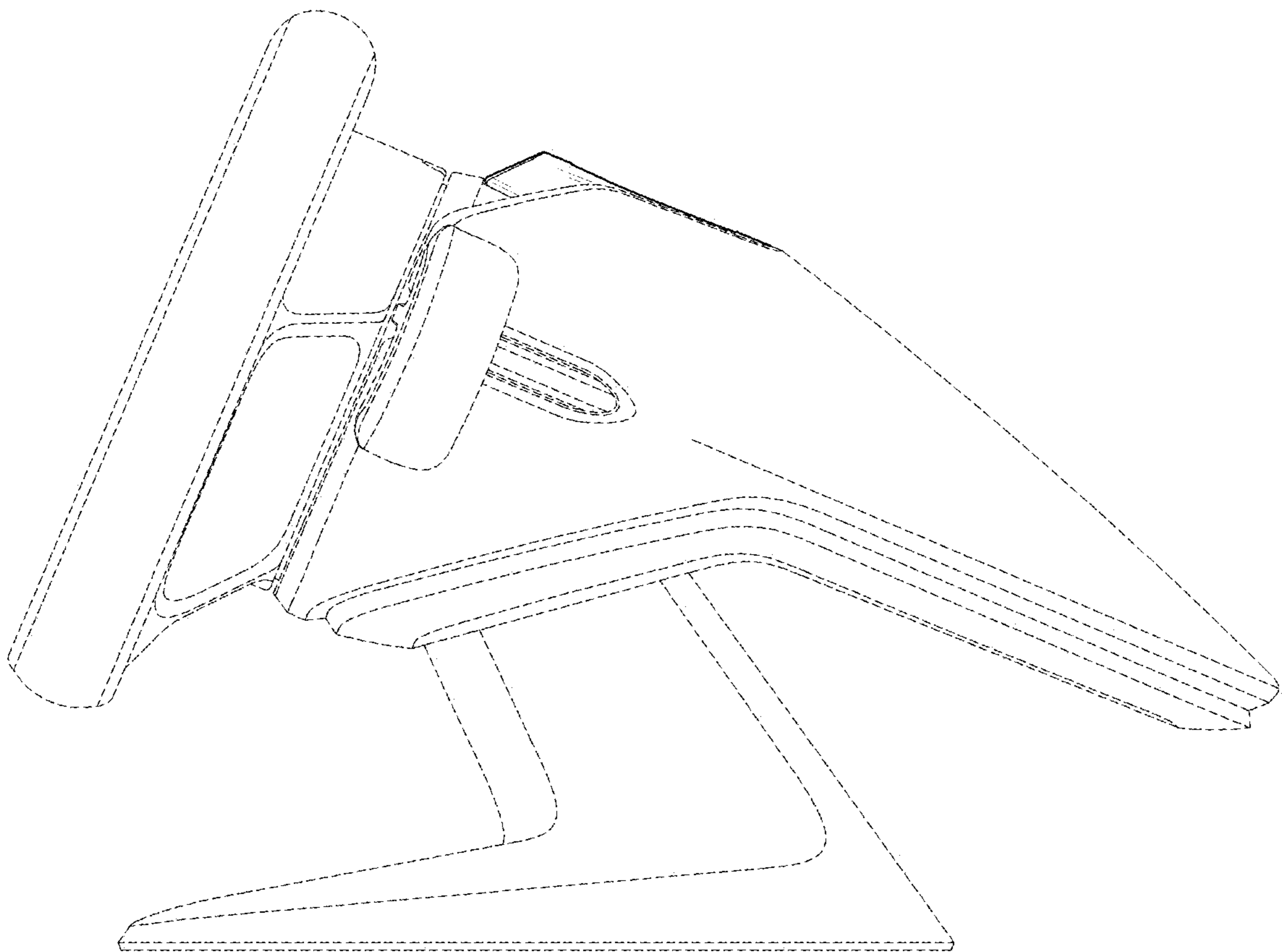




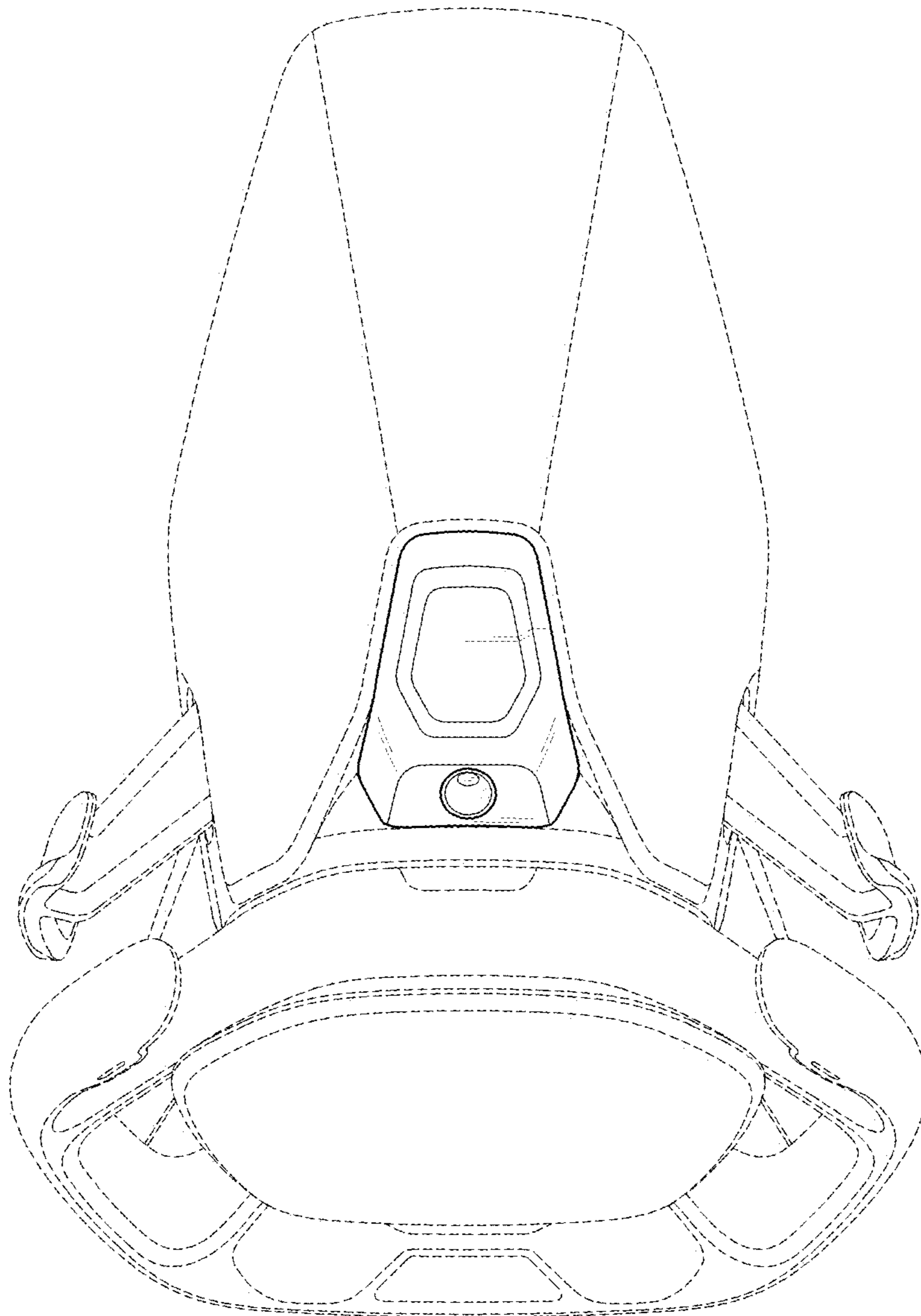
1.4



1.5

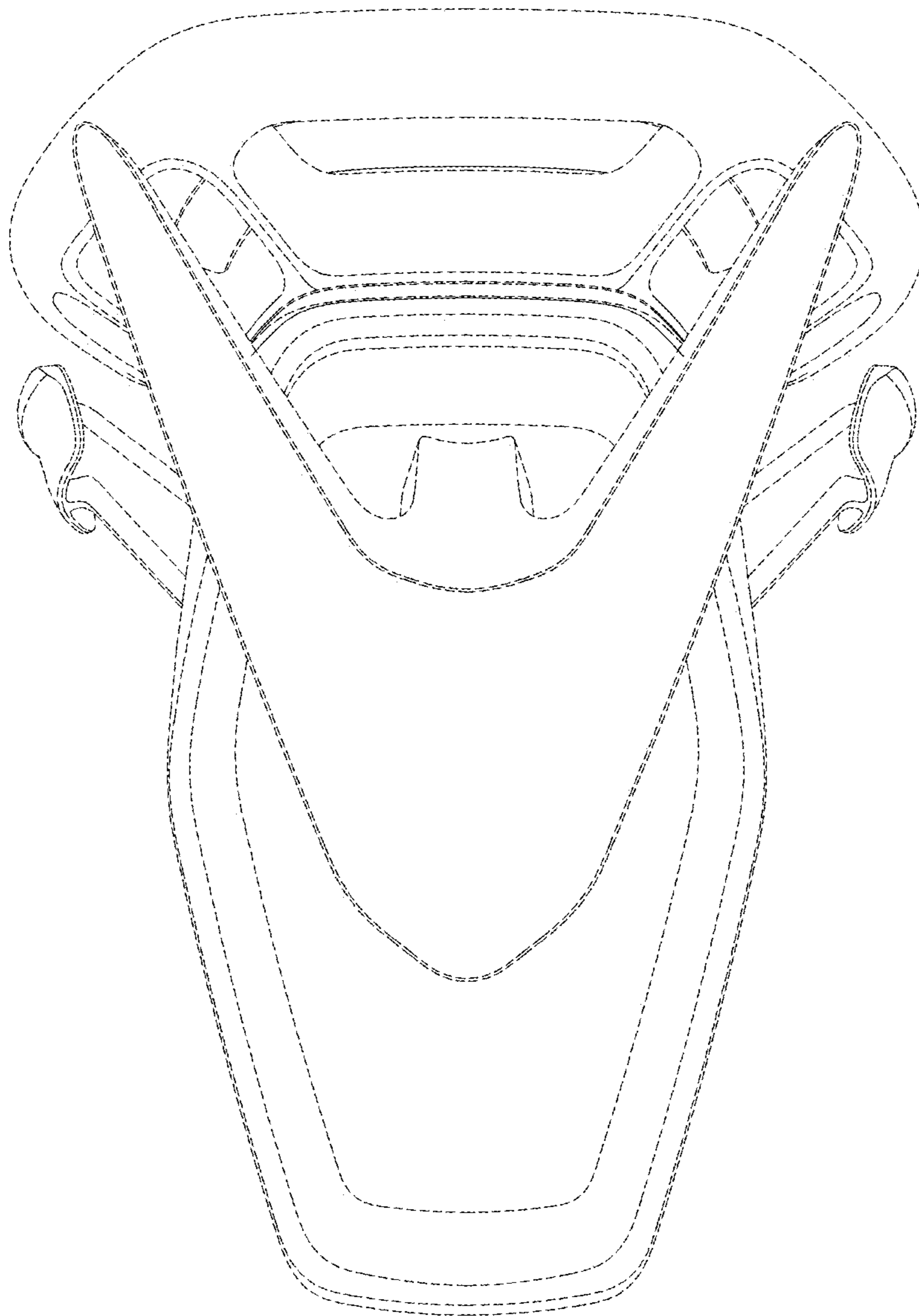


1.6

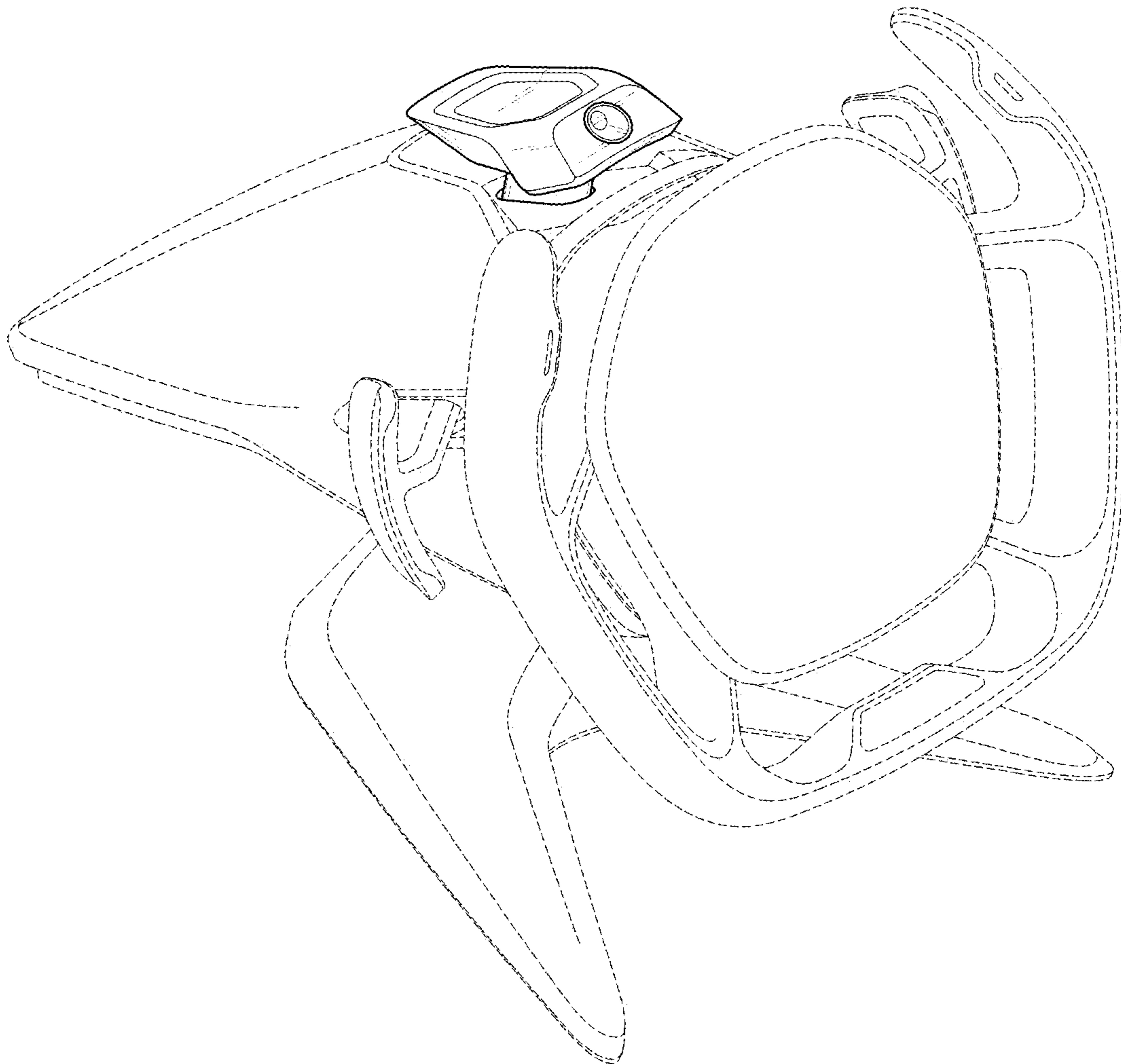




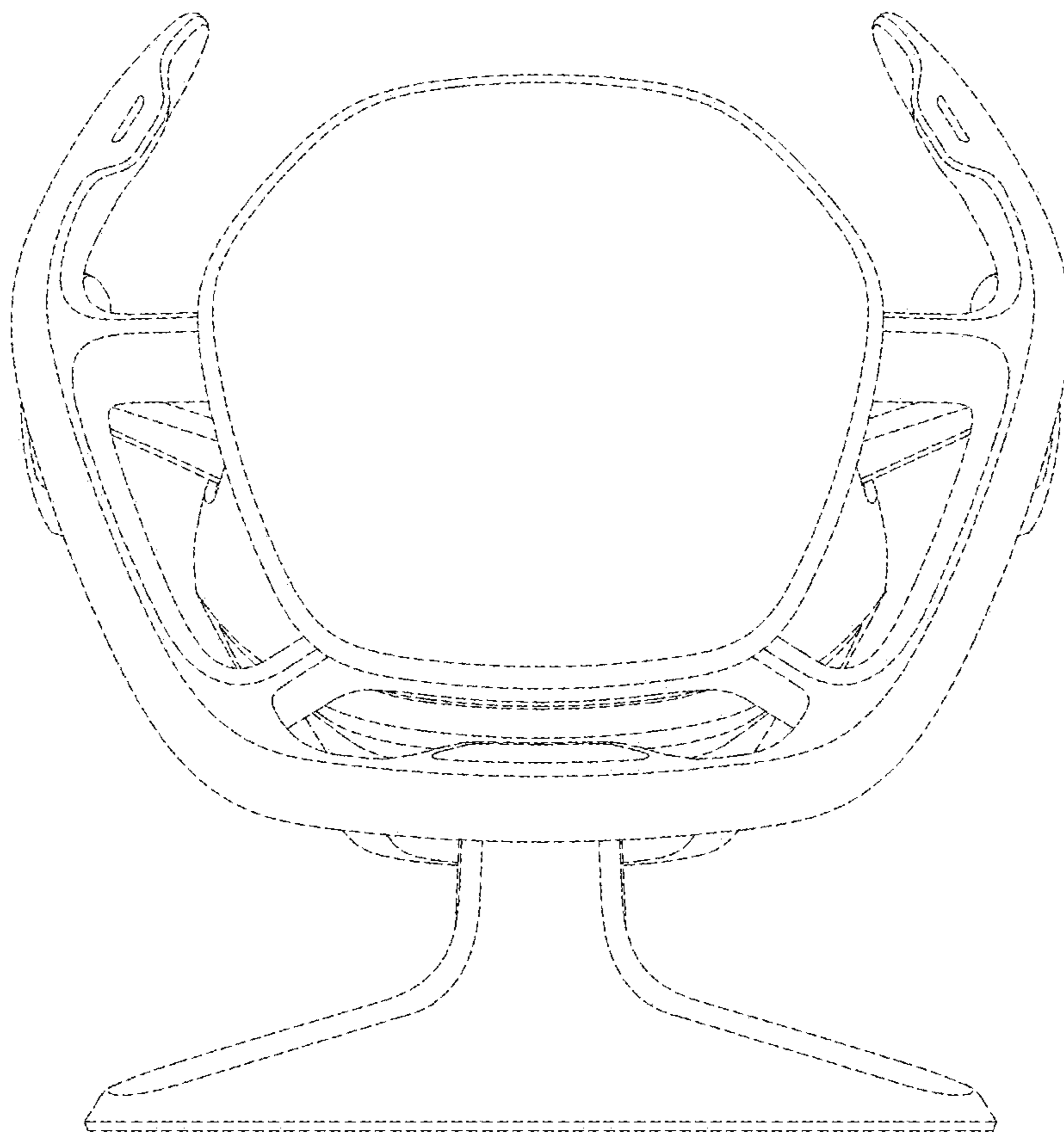
1.7



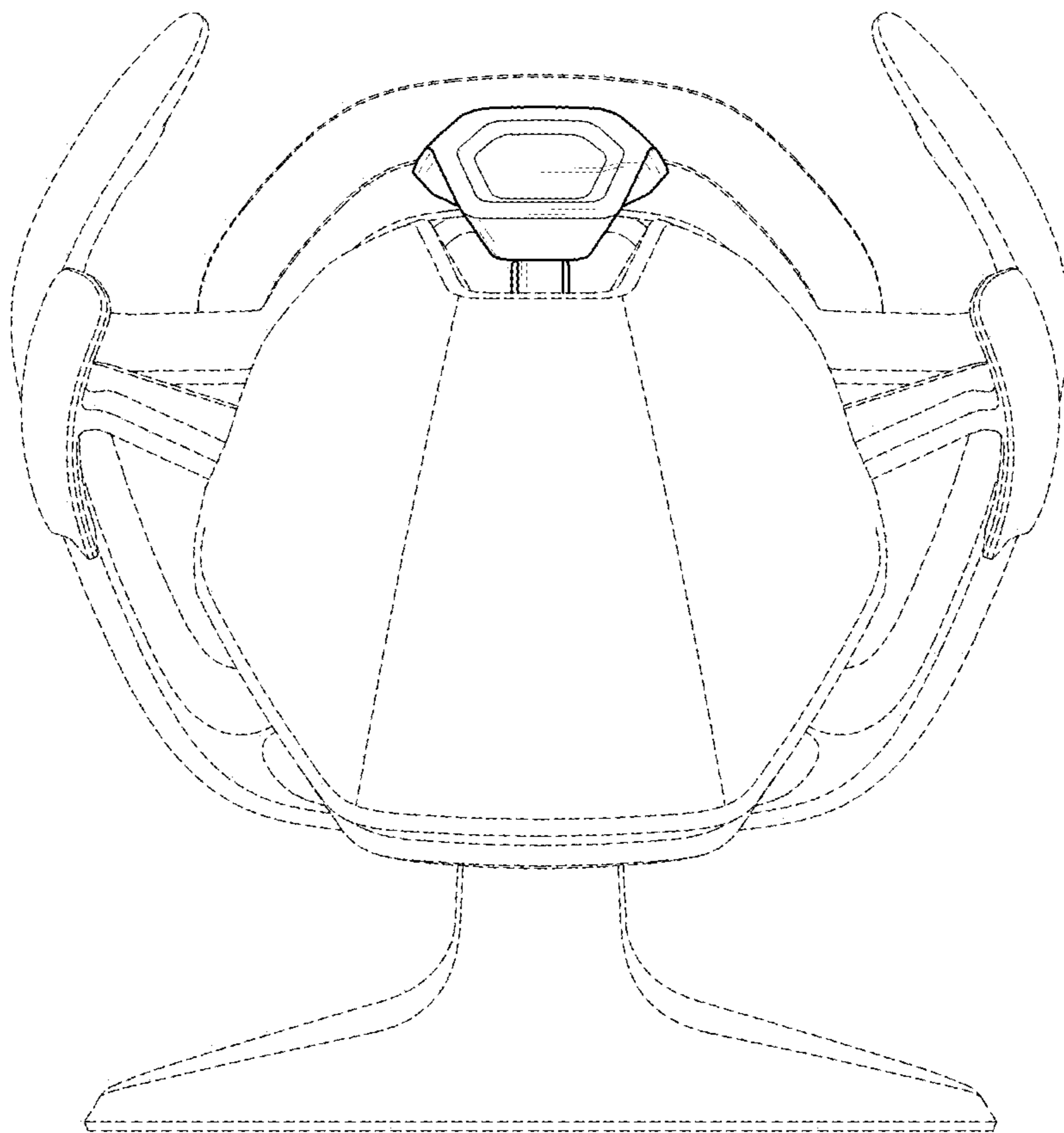
1.8



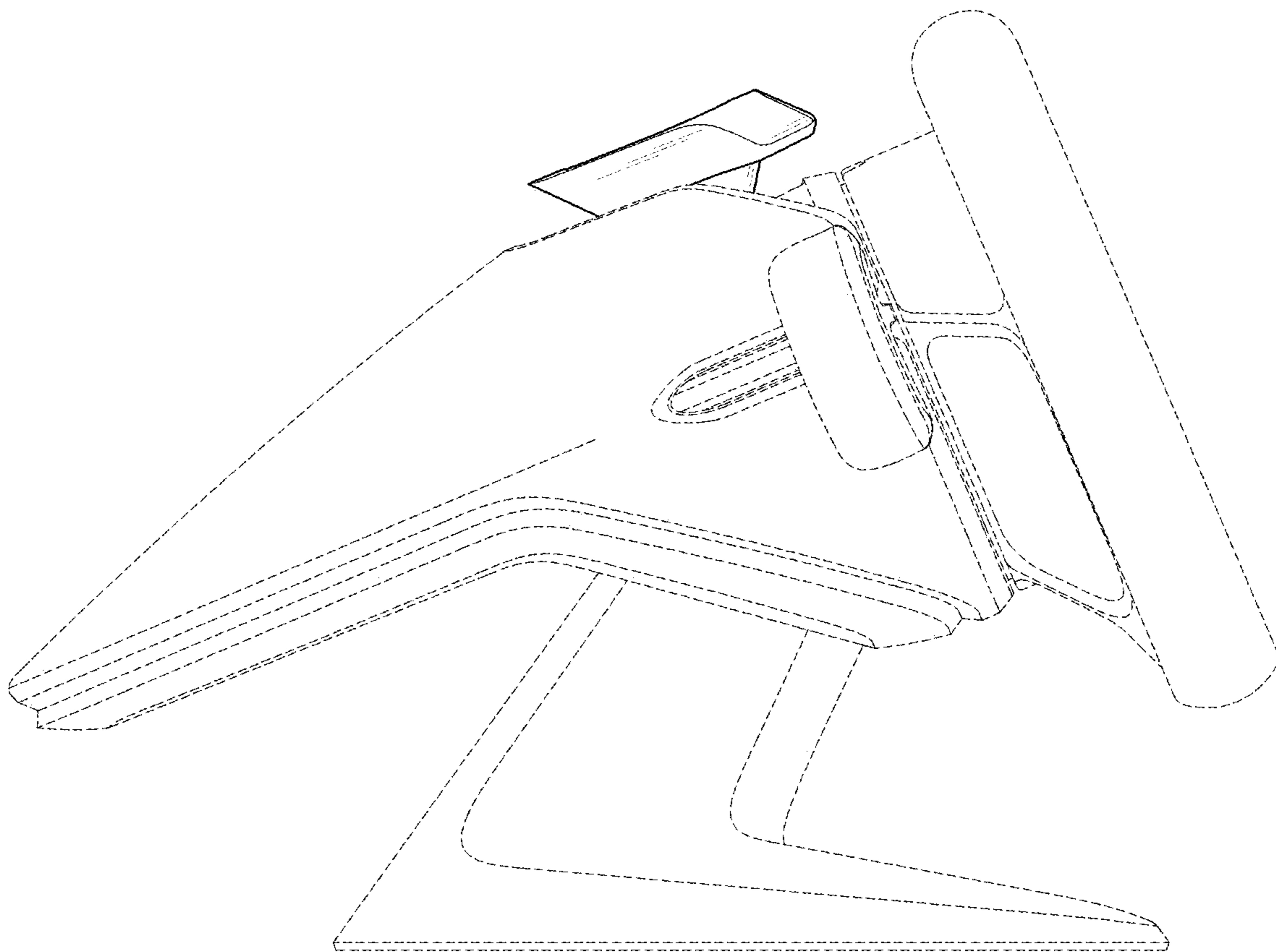
1.9



1.10

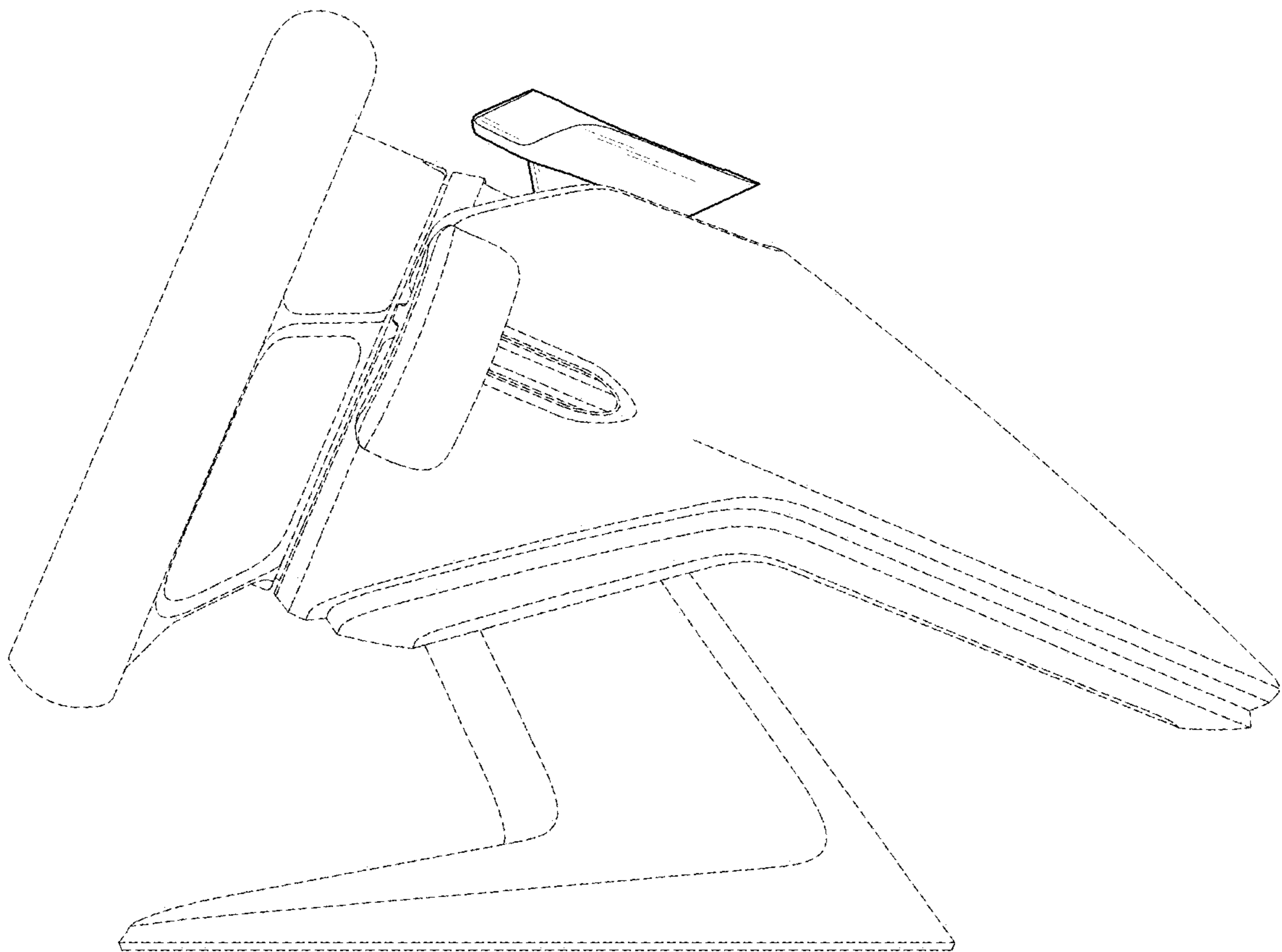


1.11

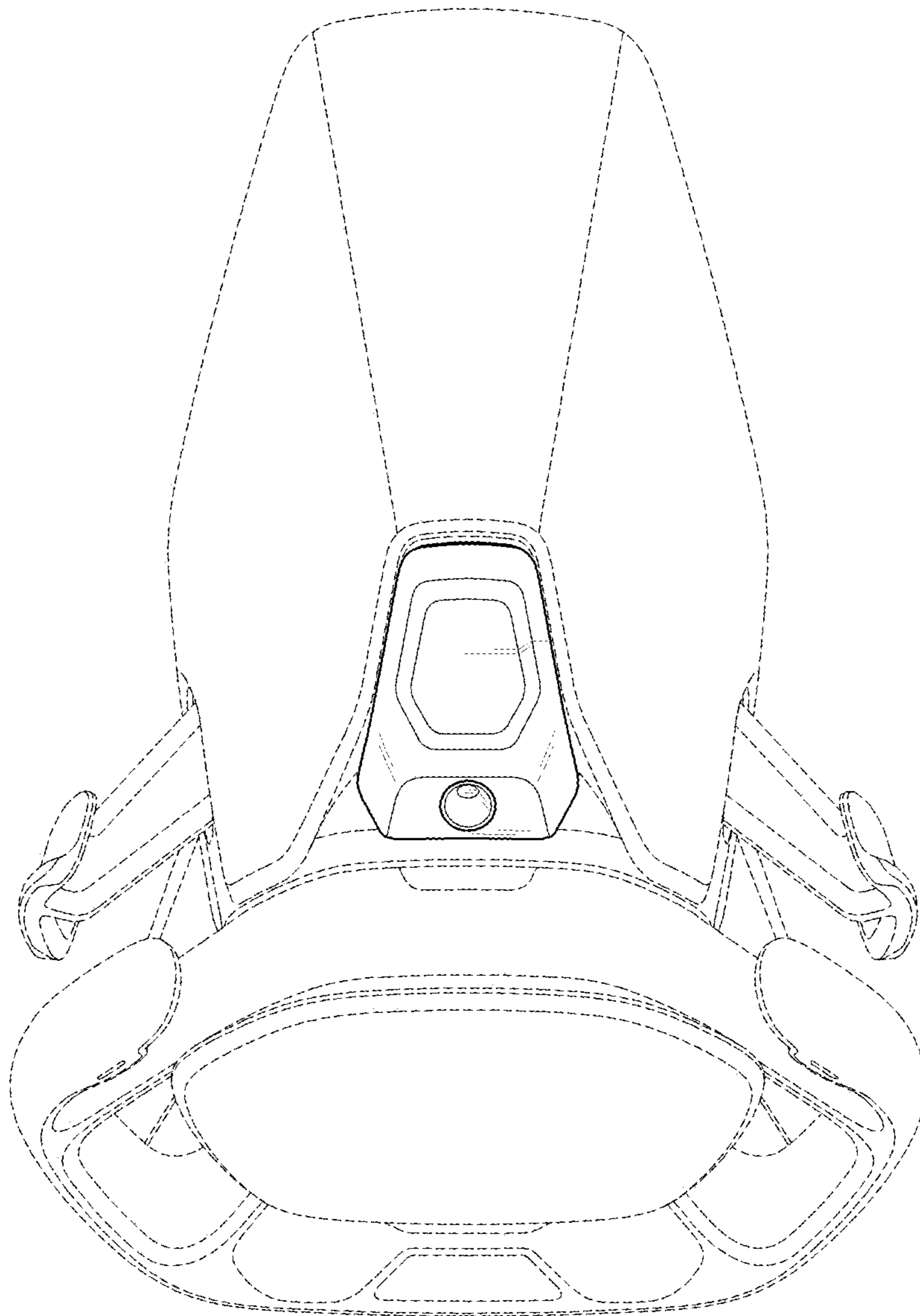




1.12



1.13



1.14

