



US00D946477S

(12) **United States Design Patent**
Sun

(10) **Patent No.:** **US D946,477 S**
(45) **Date of Patent:** **** Mar. 22, 2022**

- (54) **PEDAL**
- (71) Applicant: **AMERIBRIGHT INDUSTRIES LIMITED**, Wan Chai (HK)
- (72) Inventor: **Weiguo Sun**, Ningbo (CN)
- (73) Assignee: **AMERIBRIGHT INDUSTRIES LIMITED**, Wan Chai (HK)
- (**) Term: **15 Years**
- (21) Appl. No.: **29/753,466**
- (22) Filed: **Sep. 30, 2020**
- (30) **Foreign Application Priority Data**
Jul. 23, 2020 (CN) 202030404941.8
- (51) **LOC (13) Cl.** **12-16**
- (52) **U.S. Cl.**
USPC **D12/174**
- (58) **Field of Classification Search**
USPC D12/125, 174, 190
CPC A47G 27/0206; G05G 1/30; G05G 1/483
See application file for complete search history.
- (56) **References Cited**
U.S. PATENT DOCUMENTS
D393,298 S * 4/1998 Kuo D12/122
D540,227 S * 4/2007 Doucet D12/174
D718,192 S * 11/2014 May D12/114
D727,498 S * 4/2015 Creed D24/144
D882,903 S * 4/2020 Chen D34/9
D905,757 S * 12/2020 Domke D15/4
D911,982 S * 3/2021 Colter D13/167
D924,756 S * 7/2021 Watola D12/174
D928,102 S * 8/2021 Lu D13/167

- 2009/0025506 A1* 1/2009 Karpachev B60T 7/06
74/513
- 2016/0124457 A1* 5/2016 Takahashi G05G 1/483
74/560
- 2020/0183443 A1* 6/2020 Kim G05G 1/38

OTHER PUBLICATIONS

“KT-10 KickTrigger Pedal” Roland., posted date Jan. 15, 2014 [online], [retrieved on Nov. 5, 2021]. Retrieved from the Internet <URL: <https://www.roland.com/us/products/kt-10/>> (Year: 2014).*

(Continued)

Primary Examiner — Darlington Ly
Assistant Examiner — Nasim Abdulaziz Ali
(74) *Attorney, Agent, or Firm* — Birch, Stewart, Kolasch & Birch, LLP

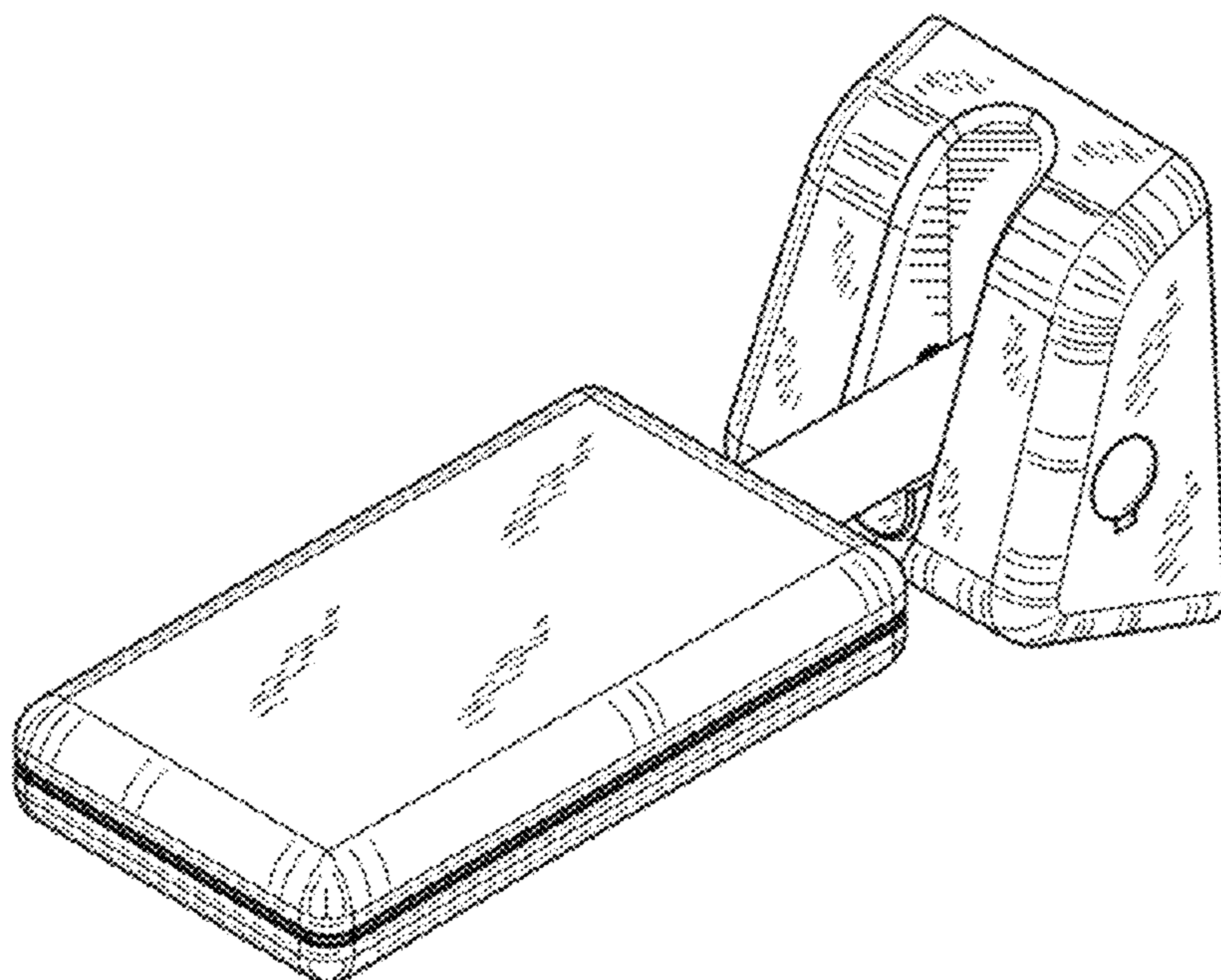
(57) **CLAIM**

The ornamental design for a pedal, as shown and described.

DESCRIPTION

FIG. 1 is a front elevation view of a pedal, shown in a horizontal configuration, embodying my new design;
FIG. 2 is a rear elevation view thereof;
FIG. 3 is a left side elevation view thereof;
FIG. 4 is a right side elevation view thereof;
FIG. 5 is a top plan view thereof;
FIG. 6 is a bottom plan view thereof;
FIG. 7 is a front and right side perspective view thereof;
FIG. 8 is a front elevation view of the pedal in FIGS. 1-7, but as shown in a vertical configuration;
FIG. 9 is a rear elevation view thereof;
FIG. 10 is a left side elevation view thereof;
FIG. 11 is a right side elevation view thereof;
FIG. 12 is a top plan view thereof;
FIG. 13 is a bottom plan view thereof; and,
FIG. 14 is a front and right side perspective view thereof.

1 Claim, 14 Drawing Sheets



(56)

References Cited

OTHER PUBLICATIONS

“Universal Sustain Pedal” TYBONDER., posted date Mar. 18, 2017 [online], [retrieved on Nov. 5, 2021]. Retrieved from the Internet <URL: <https://www.amazon.com/Sustain-Yamaha-Behringer-Electronic-Keyboards/dp/B06XBPW1RT>> (Year: 2017).*

“Cadillac Throttle Pedal” Speedway Motors., posted date Sep. 12, 2019 [online], [retrieved on Nov. 5, 2021]. Retrieved from the Internet <URL: <https://www.speedwaymotors.com/Lokar-XDBW-6200-Midnight-Series-Drive-by-Wire-Cadillac-Throttle-Pedal,97513.html>> (Year: 2019).*

* cited by examiner

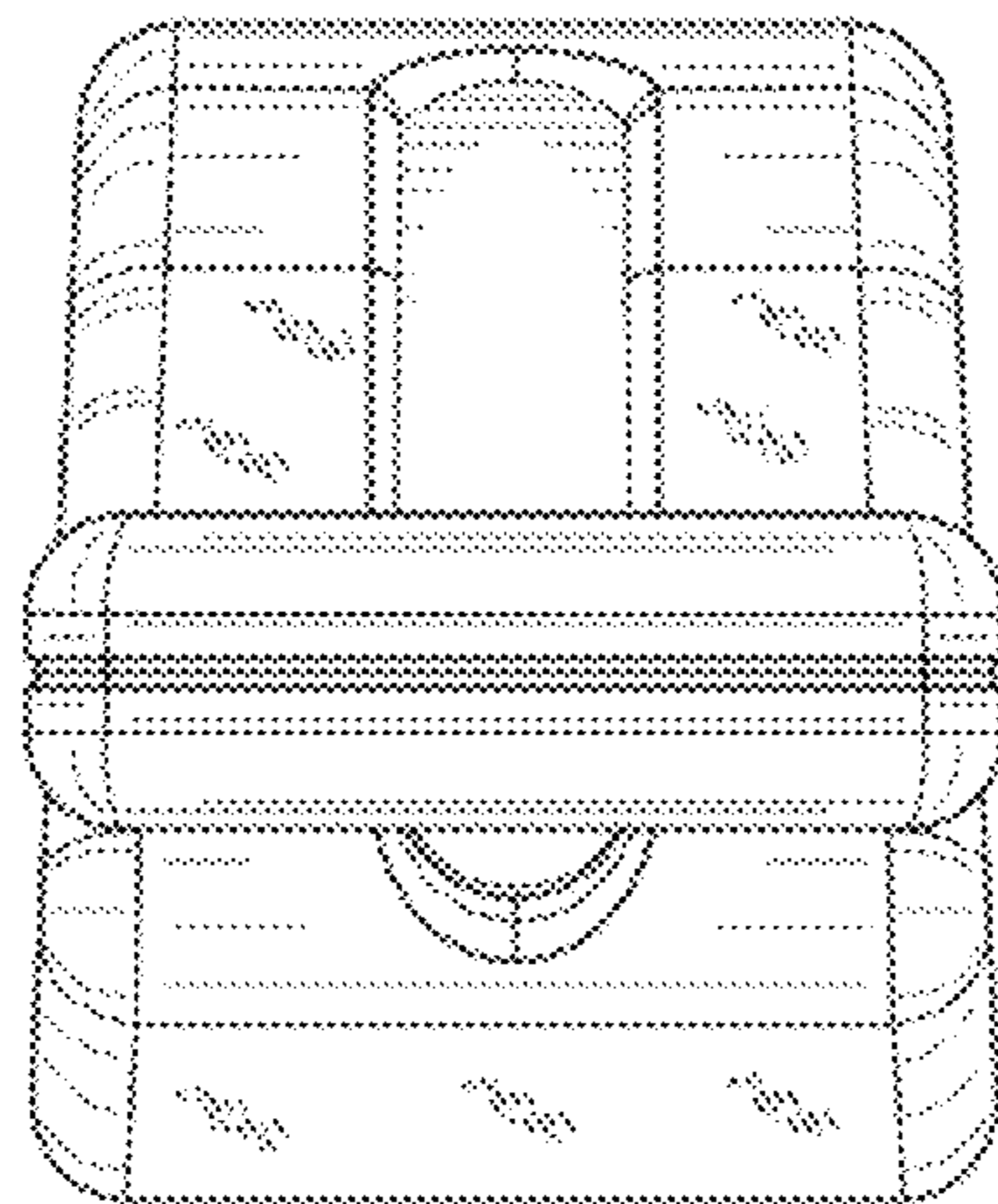


FIG. 1

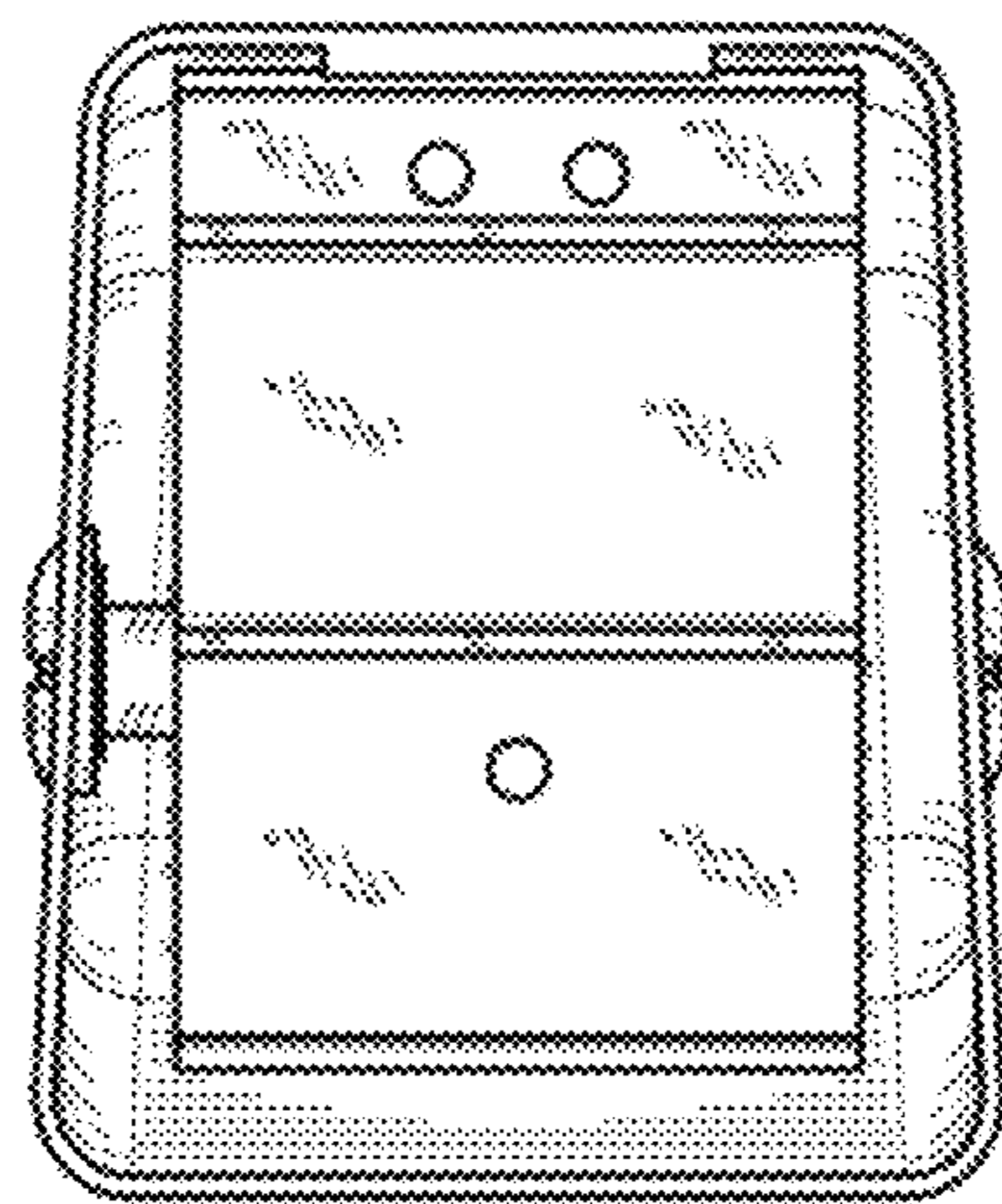


FIG. 2

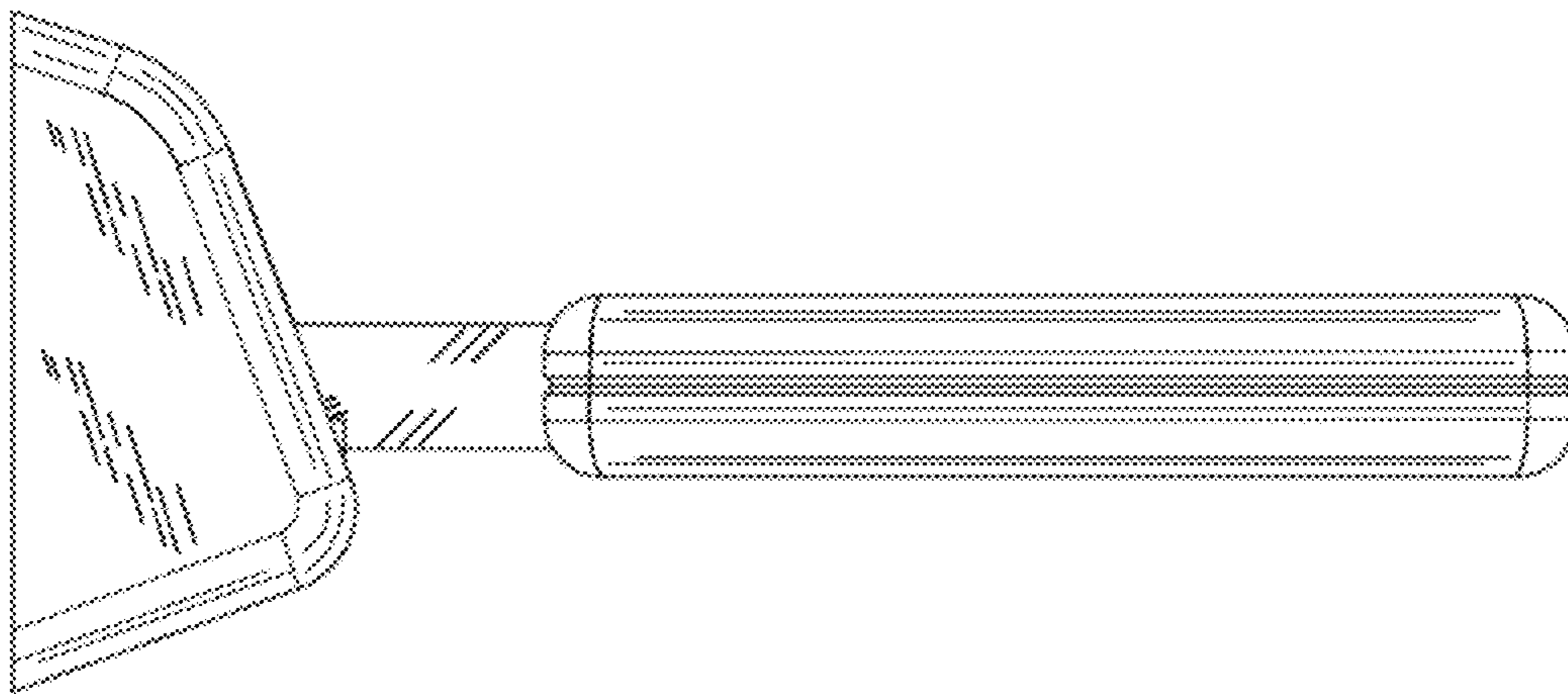


FIG. 3

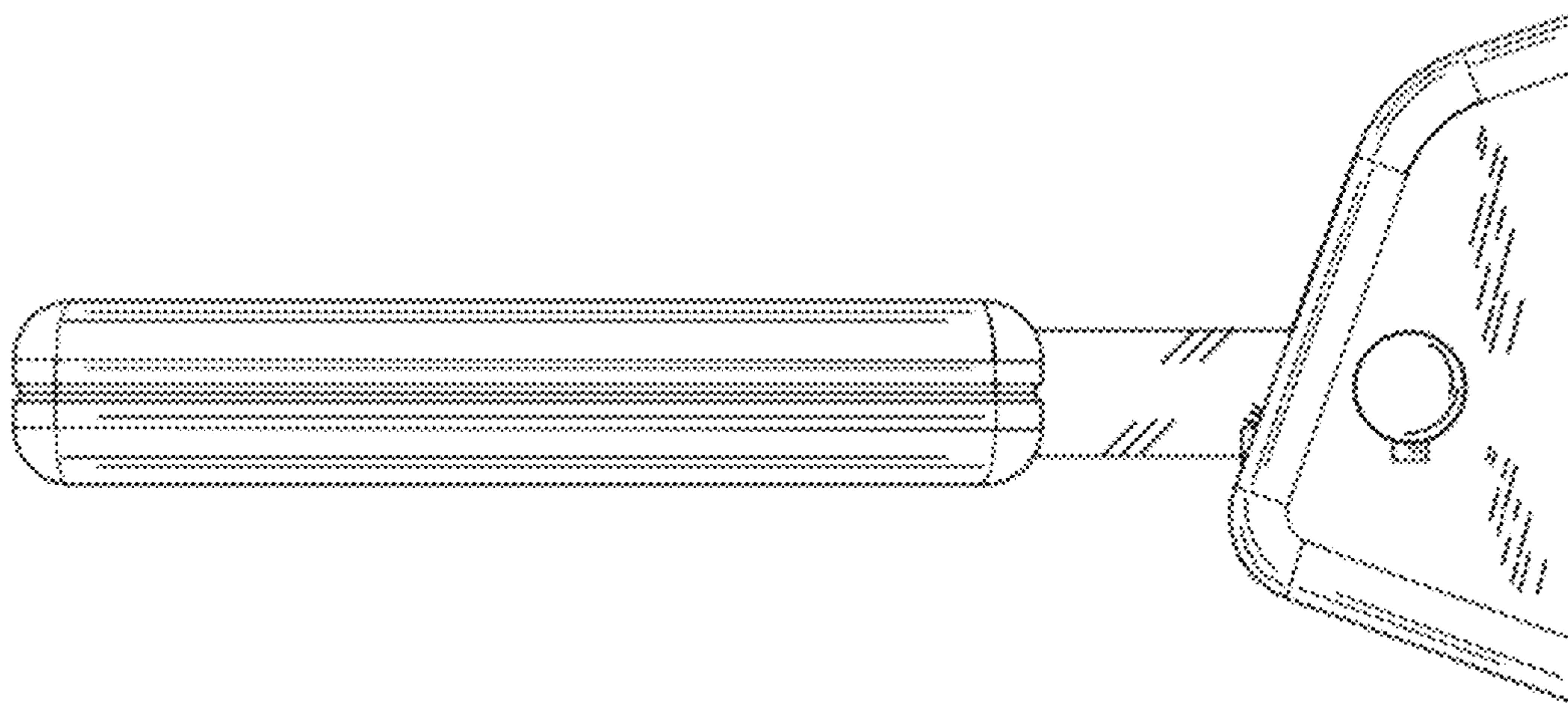


FIG. 4

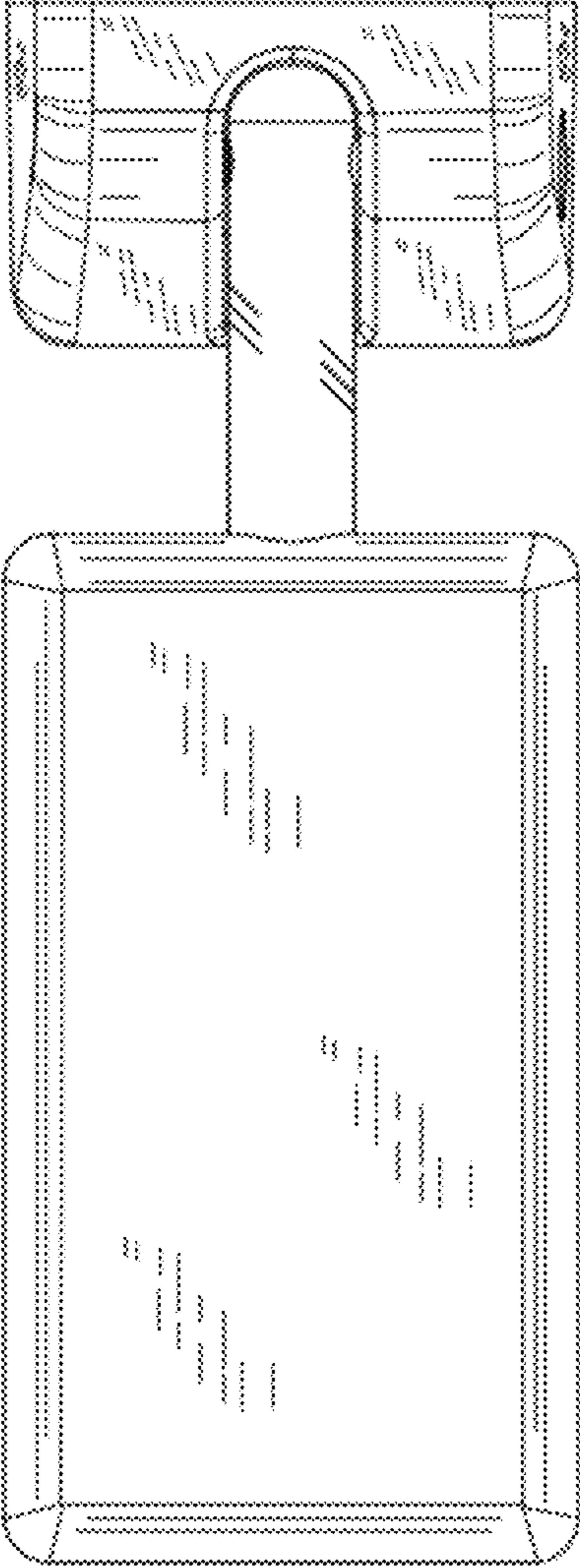


FIG. 5

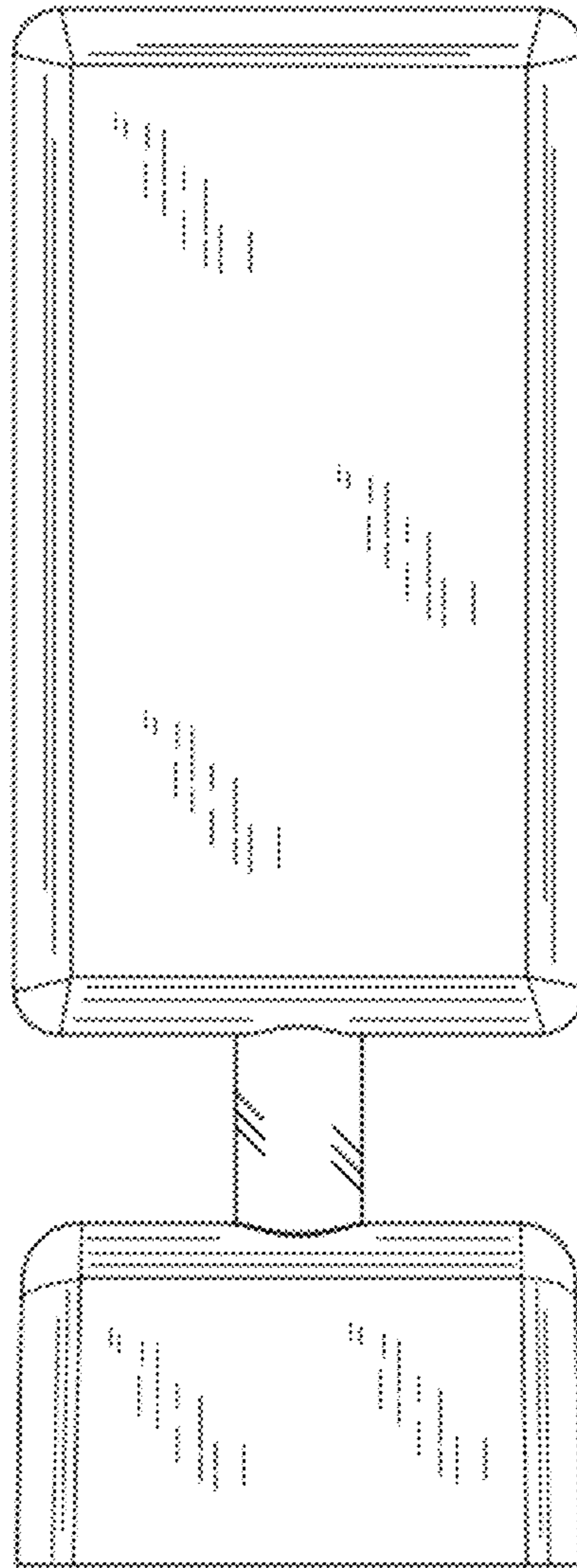


FIG. 6

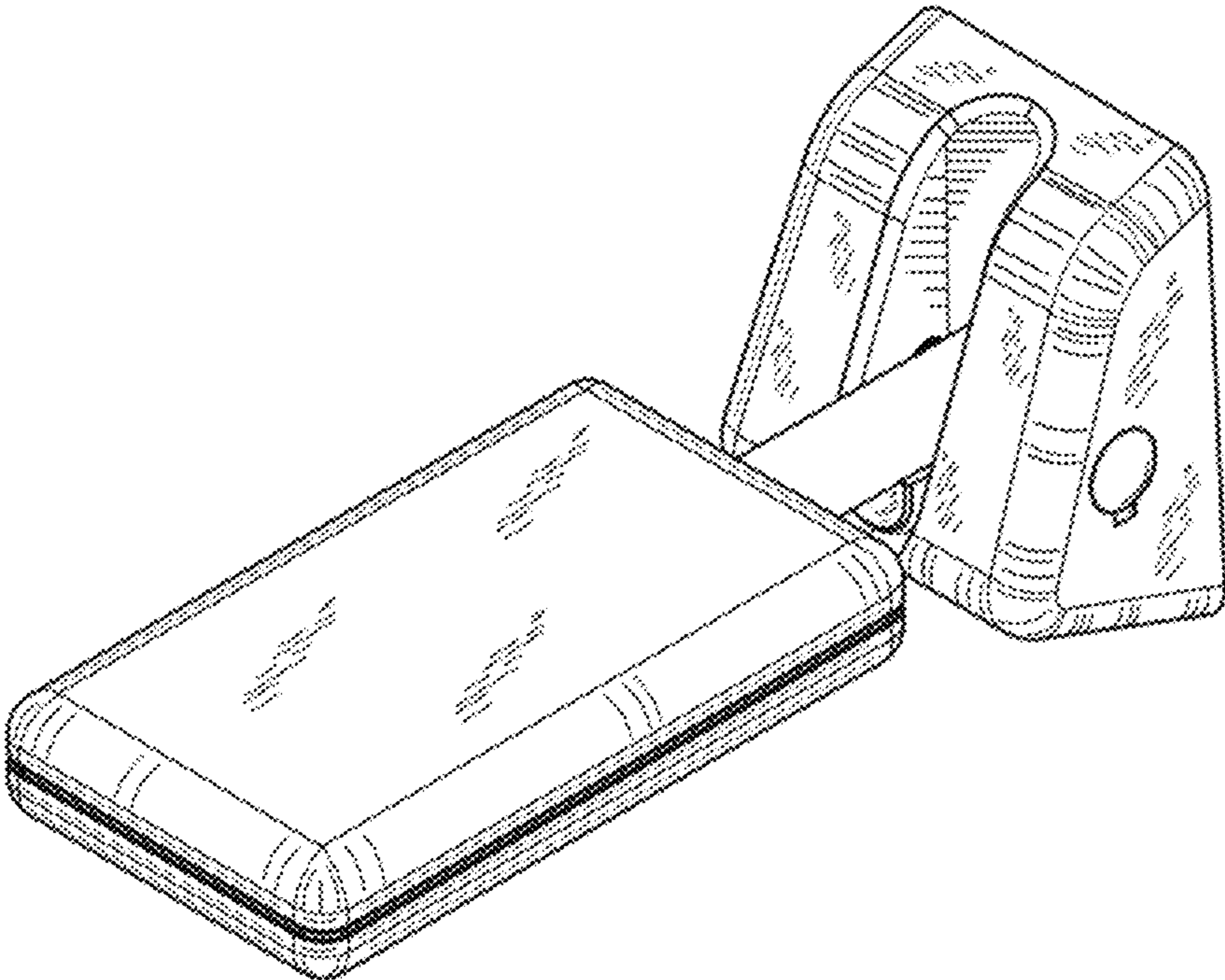


FIG. 7

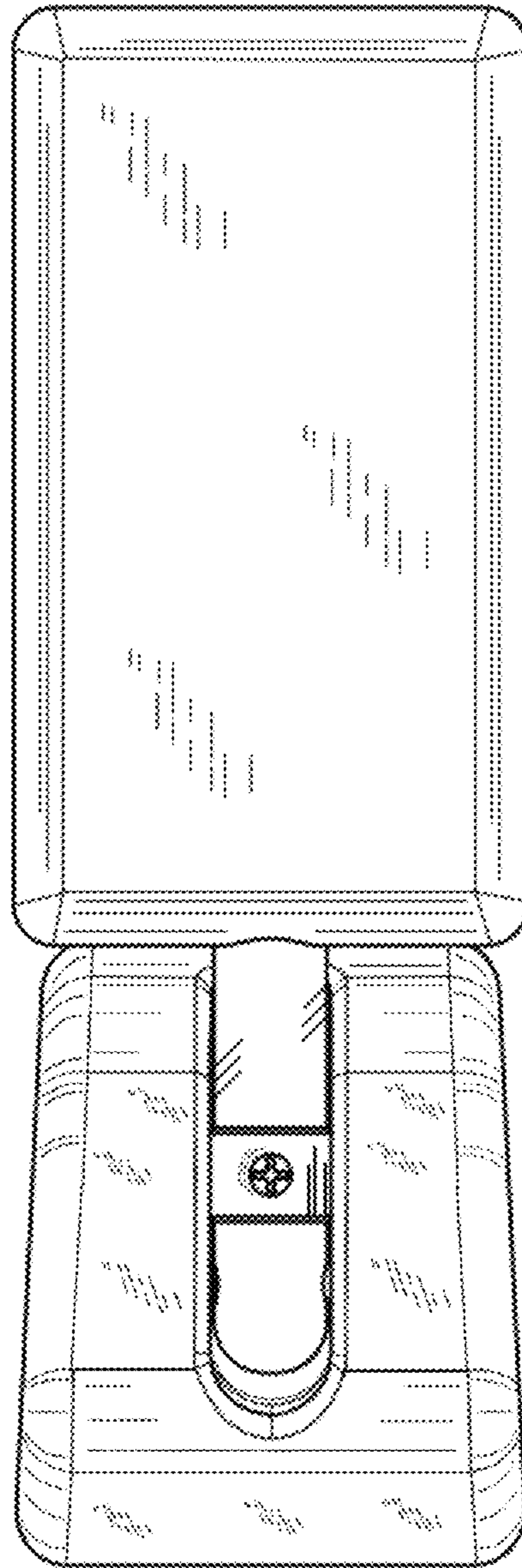


FIG. 8

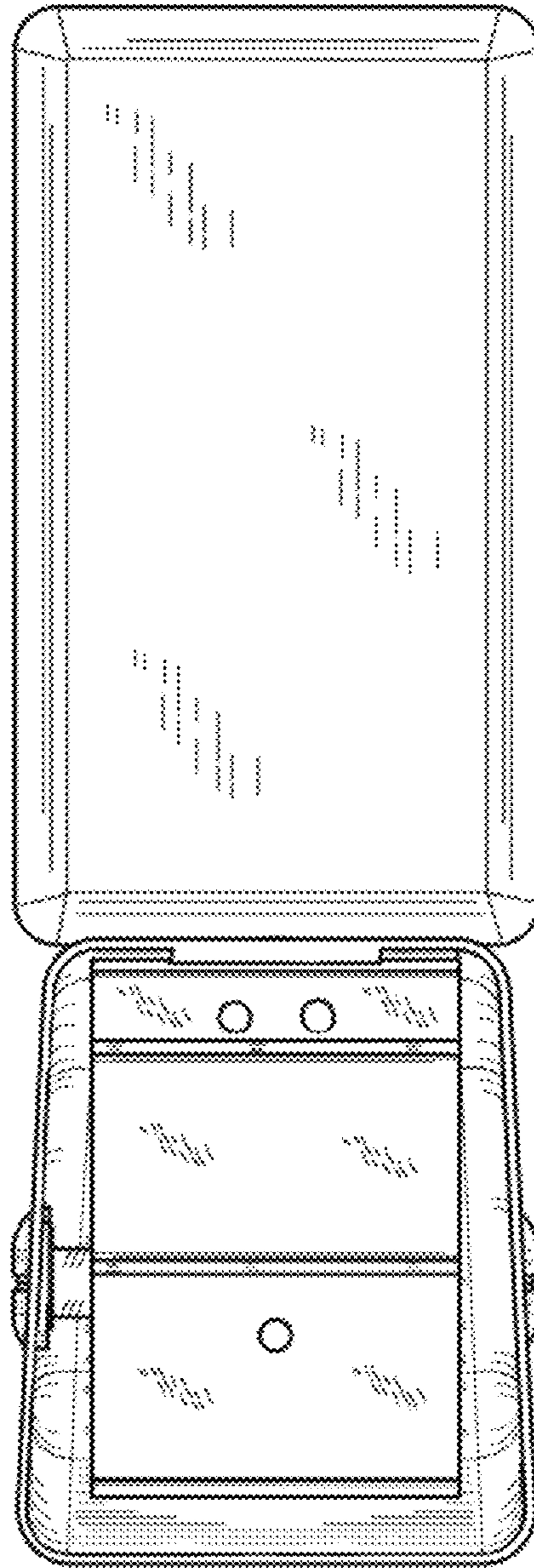


FIG. 9

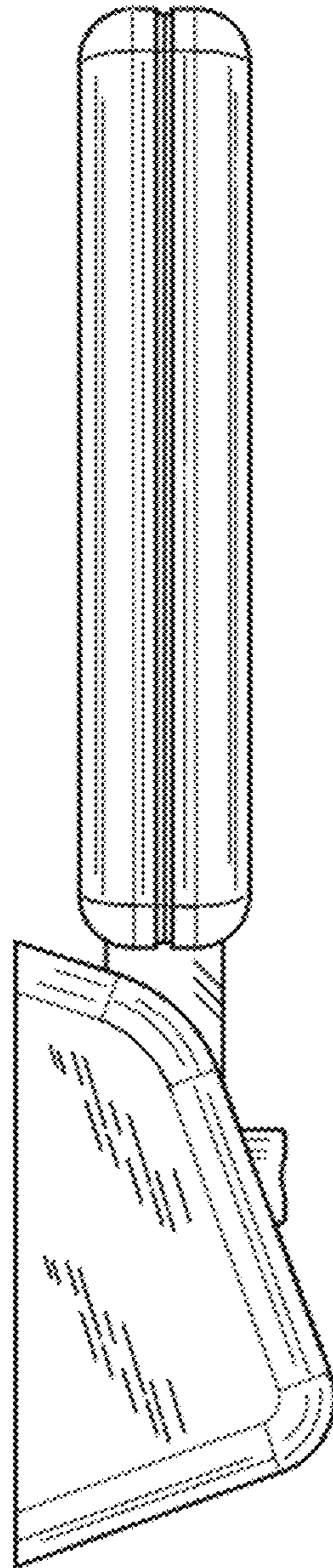


FIG. 10

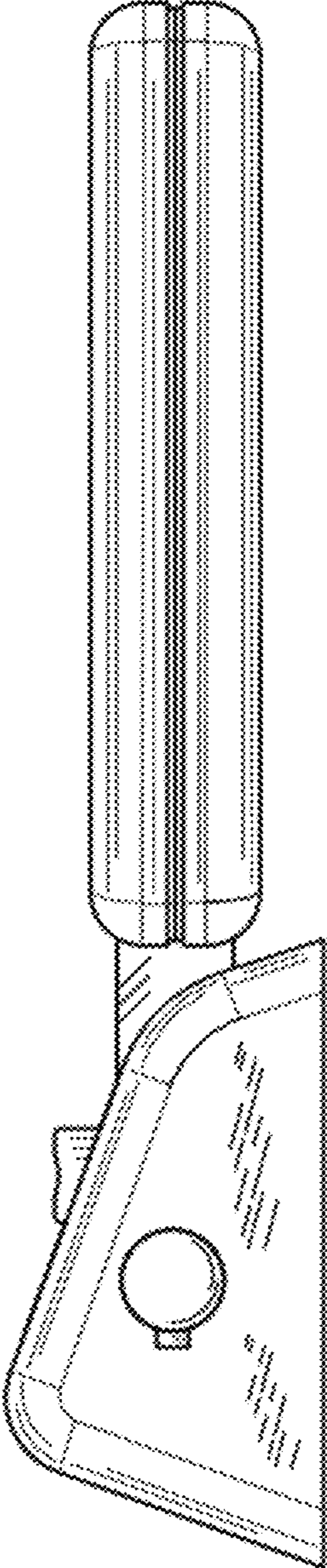


FIG. 11

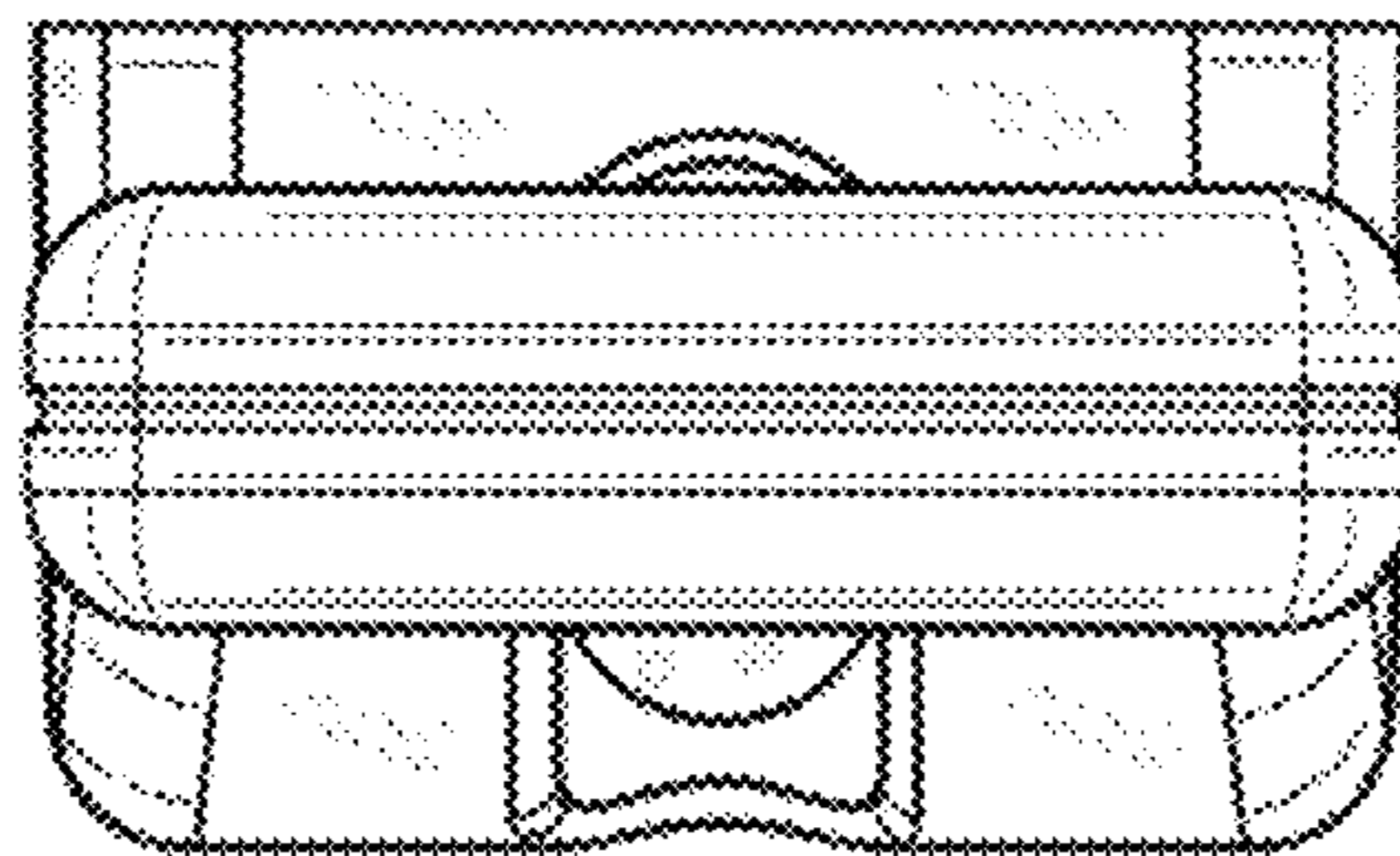


FIG. 12

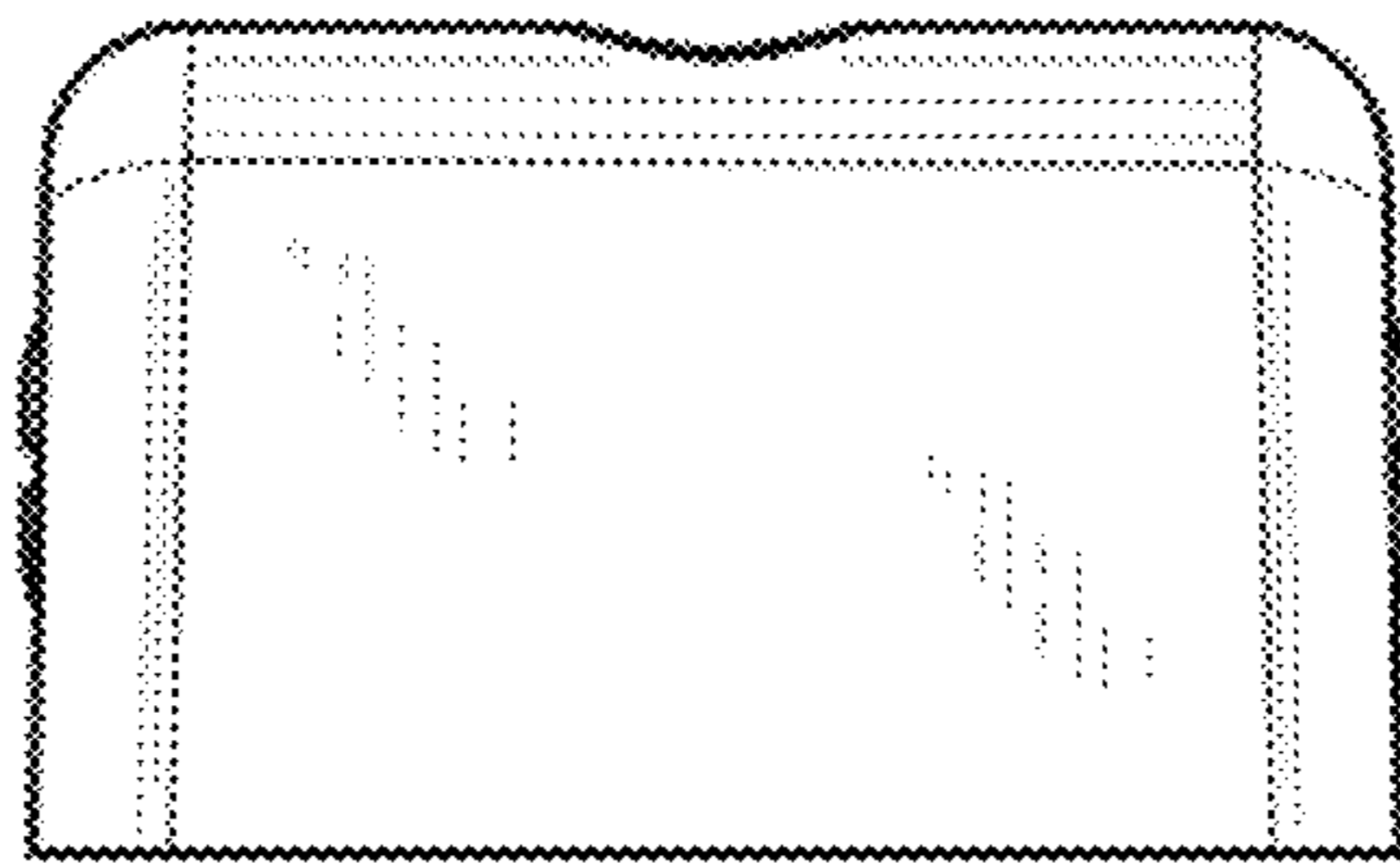


FIG. 13

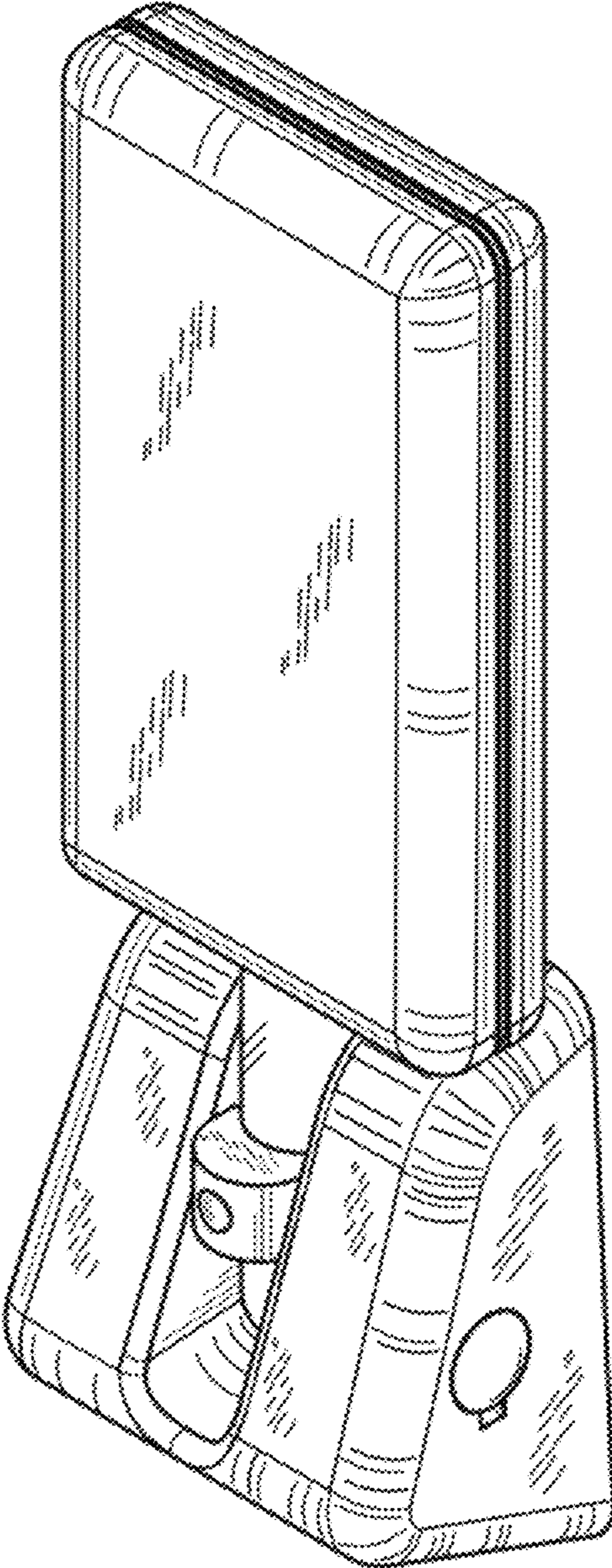


FIG. 14