



US00D946476S

(12) **United States Design Patent**  
**Geberth et al.**

(10) **Patent No.:** **US D946,476 S**  
(45) **Date of Patent:** **\*\* Mar. 22, 2022**

(54) **PEDAL**

D499,364 S \* 12/2004 Lee ..... D12/174  
D499,365 S \* 12/2004 Lee ..... D12/174  
D517,460 S \* 3/2006 Tatsumi ..... D12/174

(Continued)

(71) Applicants: **Daniel Alan Hilton Geberth**, Odessa, FL (US); **Vladimir Stashchak**, Tarpon Springs, FL (US); **Davis Alan Henry**, Tampa, FL (US)

FOREIGN PATENT DOCUMENTS

(72) Inventors: **Daniel Alan Hilton Geberth**, Odessa, FL (US); **Vladimir Stashchak**, Tarpon Springs, FL (US); **Davis Alan Henry**, Tampa, FL (US)

KR 3020120019576 \* 7/2013

OTHER PUBLICATIONS

(\*\*) Term: **15 Years**

“Dorman®—Brake Pedal Pad” Carid, posted date Sep. 16, 2020 [online], [retrieved on Nov. 3, 2021], Retrieved from the Internet <URL:https://www.carid.com/dorman/brake-pedal-pad.html> (Year: 2020).\*

(Continued)

(21) Appl. No.: **29/652,602**

(22) Filed: **Sep. 30, 2020**

(51) **LOC (13) Cl.** ..... **12-16**

(52) **U.S. Cl.**  
USPC ..... **D12/174; D12/125**

(58) **Field of Classification Search**  
USPC ..... D12/125, 174, 190  
CPC ..... A47G 27/0206; G05G 1/30; G05G 1/483  
See application file for complete search history.

*Primary Examiner* — Darlington Ly  
*Assistant Examiner* — Nasim Abdulaziz Ali  
(74) *Attorney, Agent, or Firm* — Dunlap Bennett & Ludwig, PLLC

(57) **CLAIM**

The ornamental design for a pedal, as shown and described.

(56) **References Cited**

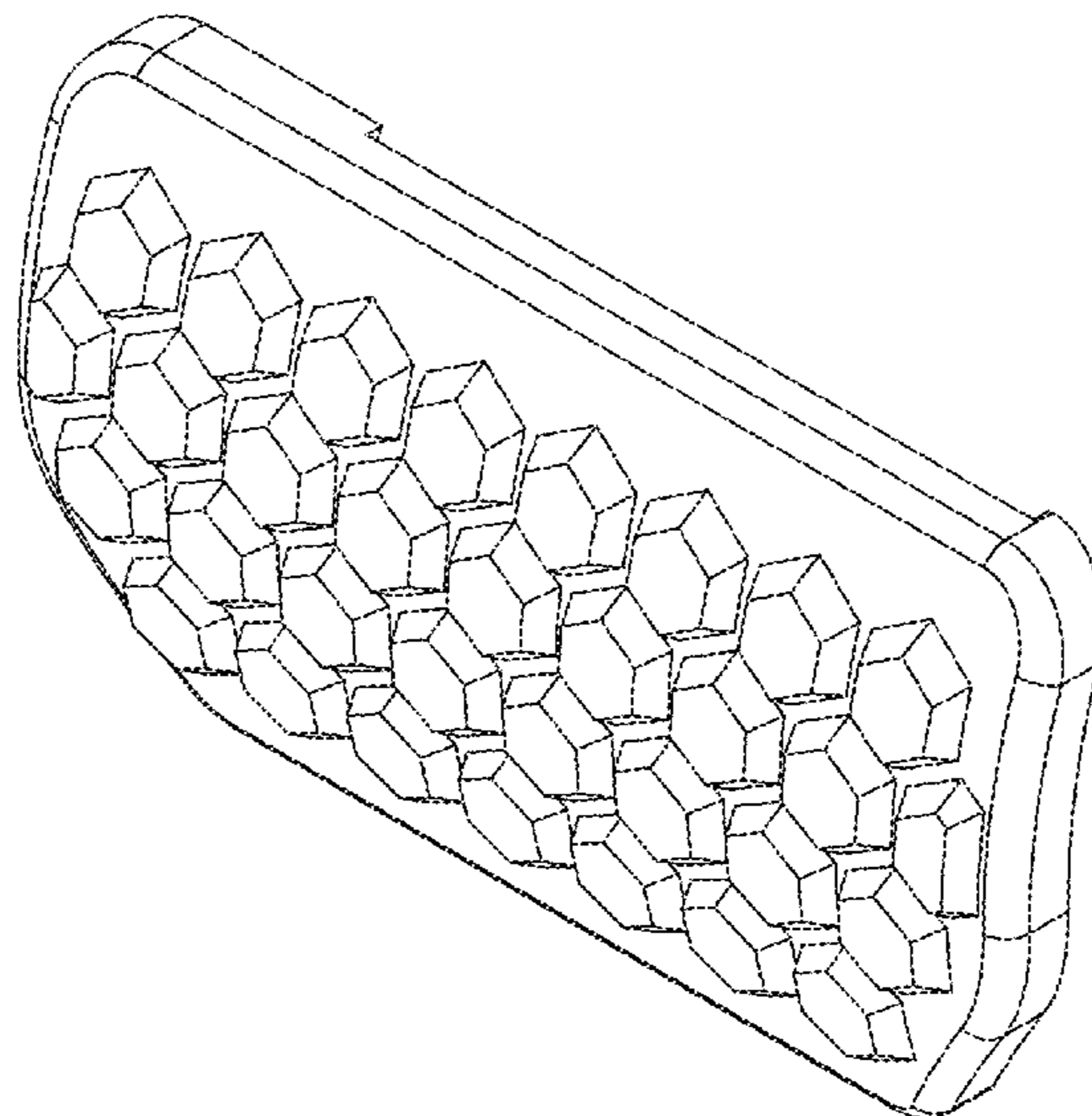
**DESCRIPTION**

U.S. PATENT DOCUMENTS

D393,298 S *	4/1998	Kuo	.....	D12/122
D395,418 S *	6/1998	Darlas	.....	D12/180
D424,487 S *	5/2000	Asakura	.....	D12/174
D433,971 S *	11/2000	Shien	.....	D12/174
6,151,984 A *	11/2000	Johansson	.....	G05G 1/323 180/334
D437,271 S *	2/2001	Saleen	.....	D12/174
D443,570 S *	6/2001	Saleen	.....	D12/174
D444,436 S *	7/2001	Saleen	.....	D12/174
D447,102 S *	8/2001	Saleen	.....	D12/174
6,415,681 B1 *	7/2002	Porter	.....	G05G 1/305 192/13 R
D486,103 S *	2/2004	Watanabe	.....	D12/174
D486,104 S *	2/2004	Watanabe	.....	D12/174
D486,433 S *	2/2004	Watanabe	.....	D12/174
D499,053 S *	11/2004	Lee	.....	D12/174

FIG. 1 is a top, front, right perspective view of the pedal, showing our new design;  
FIG. 2 is a bottom, front, left perspective view thereof;  
FIG. 3 is a front elevation view thereof;  
FIG. 4 is a right side elevation view thereof;  
FIG. 5 is a left side elevation view thereof;  
FIG. 6 is a top plan view thereof;  
FIG. 7 is a bottom plan view thereof;  
FIG. 8 is a top, rear, right perspective view thereof;  
FIG. 9 is a top, rear, left perspective view thereof; and,  
FIG. 10 is a rear elevation view thereof.  
The broken lines shown in the drawings depict portions of the pedal that form no part of the claimed design.

**1 Claim, 6 Drawing Sheets**



(56)

**References Cited**

## U.S. PATENT DOCUMENTS

D517,461 S \* 3/2006 Tatsumi ..... D12/174  
D540,227 S \* 4/2007 Doucet ..... D12/174  
D701,808 S \* 4/2014 Geberth ..... D12/174  
D718,192 S \* 11/2014 May ..... D12/114  
D924,756 S \* 7/2021 Watola ..... D12/174  
D928,102 S \* 8/2021 Lu ..... D13/167  
2009/0025506 A1\* 1/2009 Karpachev ..... B60T 7/06  
74/513  
2016/0004272 A1\* 1/2016 Kelly ..... B60T 7/06  
74/563  
2016/0124457 A1\* 5/2016 Takahashi ..... G05G 1/483  
74/560  
2020/0183443 A1\* 6/2020 Kim ..... G05G 1/38  
2020/0192415 A1\* 6/2020 Nagashima ..... G05G 5/05

## OTHER PUBLICATIONS

“OER \*R5003 68-81 GM Pedal Pad” Speedway Motors., posted date Jun. 26, 2020 [online], [retrieved on Nov. 3, 2021], Retrieved from the Internet <URL:https://www.speedwaymotors.com/OER-R5003-68-81-GM-Pedal-Pad-Trim-Plate-Kit-Disc-Brake,135357.html> (Year: 2020).\*

“Red Hound Auto 2 Brake Clutch Pads Cover” Red Hound., posted date Jun. 30, 2016 [online], [retrieved on Nov. 3, 2021], Retrieved from the Internet <URL:https://www.amazon.com/Red-Hound-Auto-Transmission-Replacement/dp/B01HS006AE/ref=sr\_1\_21?dchild=1&keywords=pedal+covers&qid=1635952190&sr=8-21> (Year: 2016).\*

\* cited by examiner

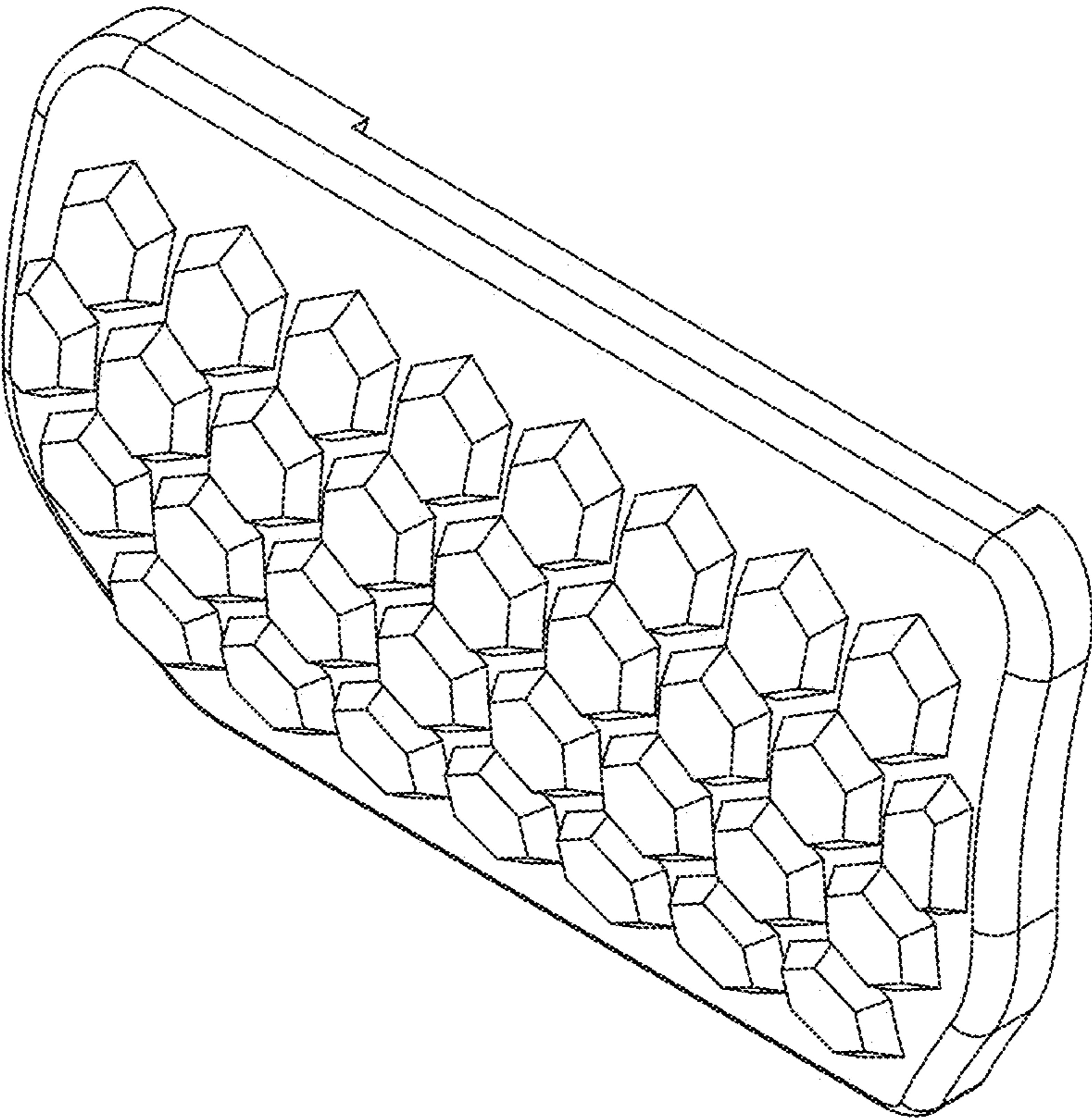


Figure 1

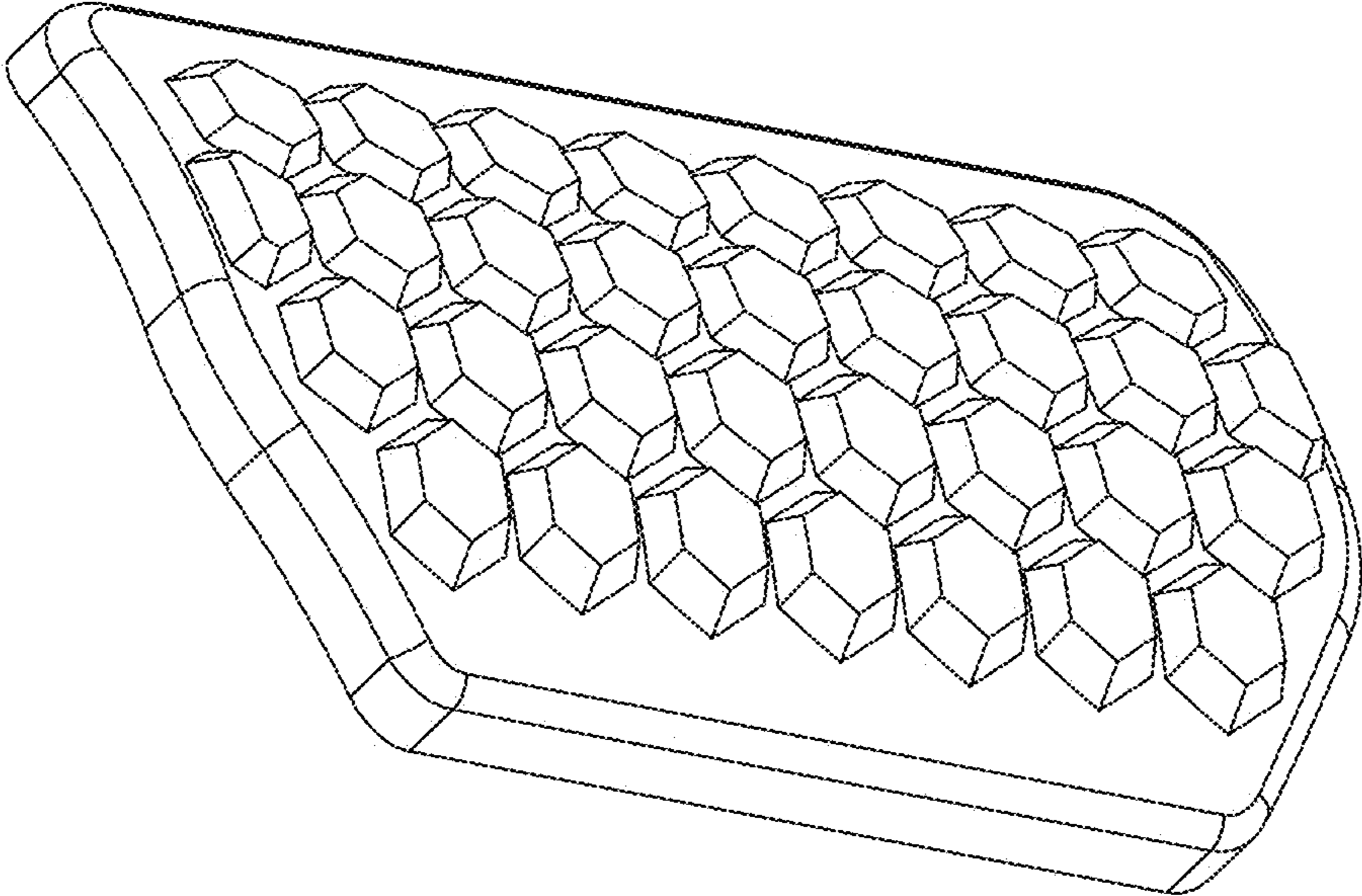
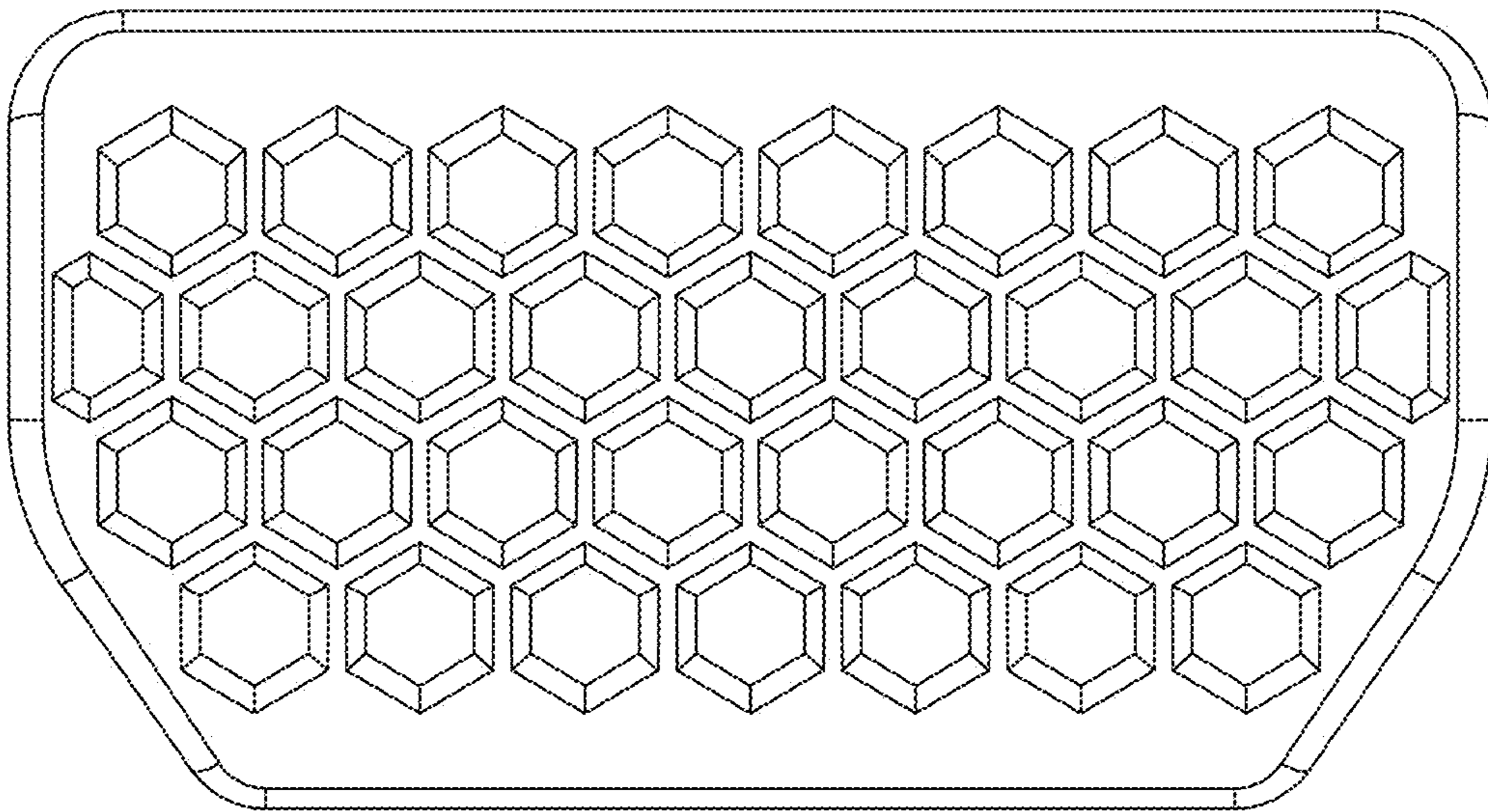
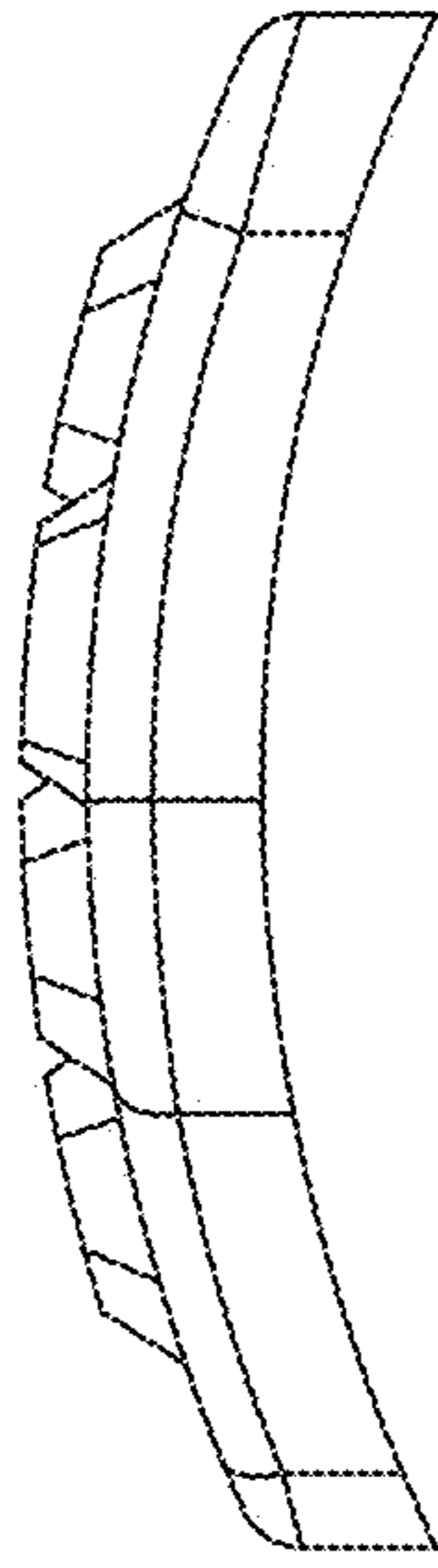


Figure 2

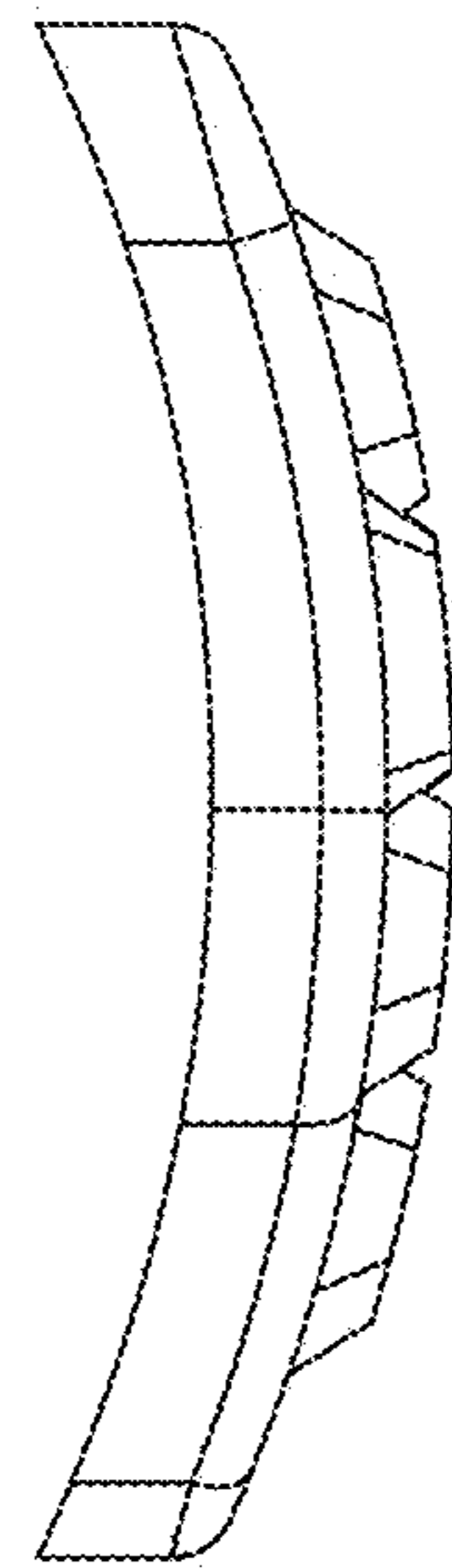




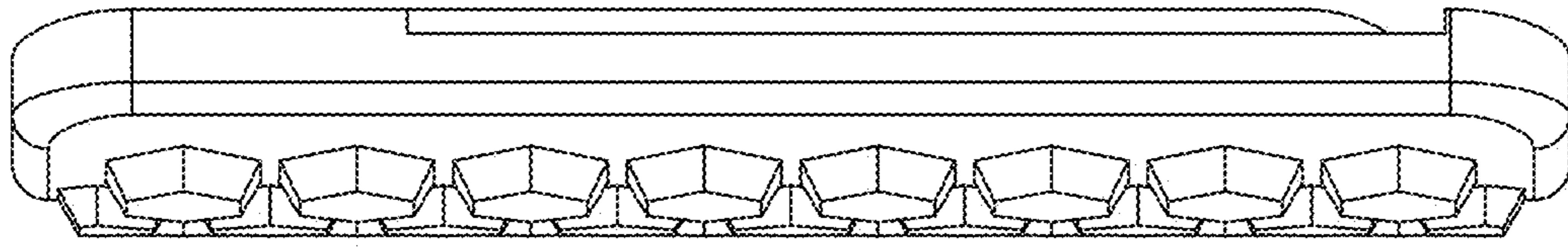
*Figure 3*



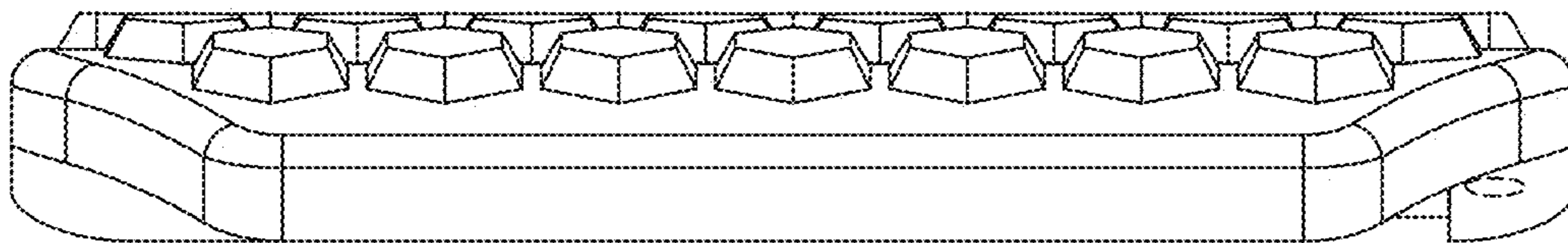
*Figure 4*



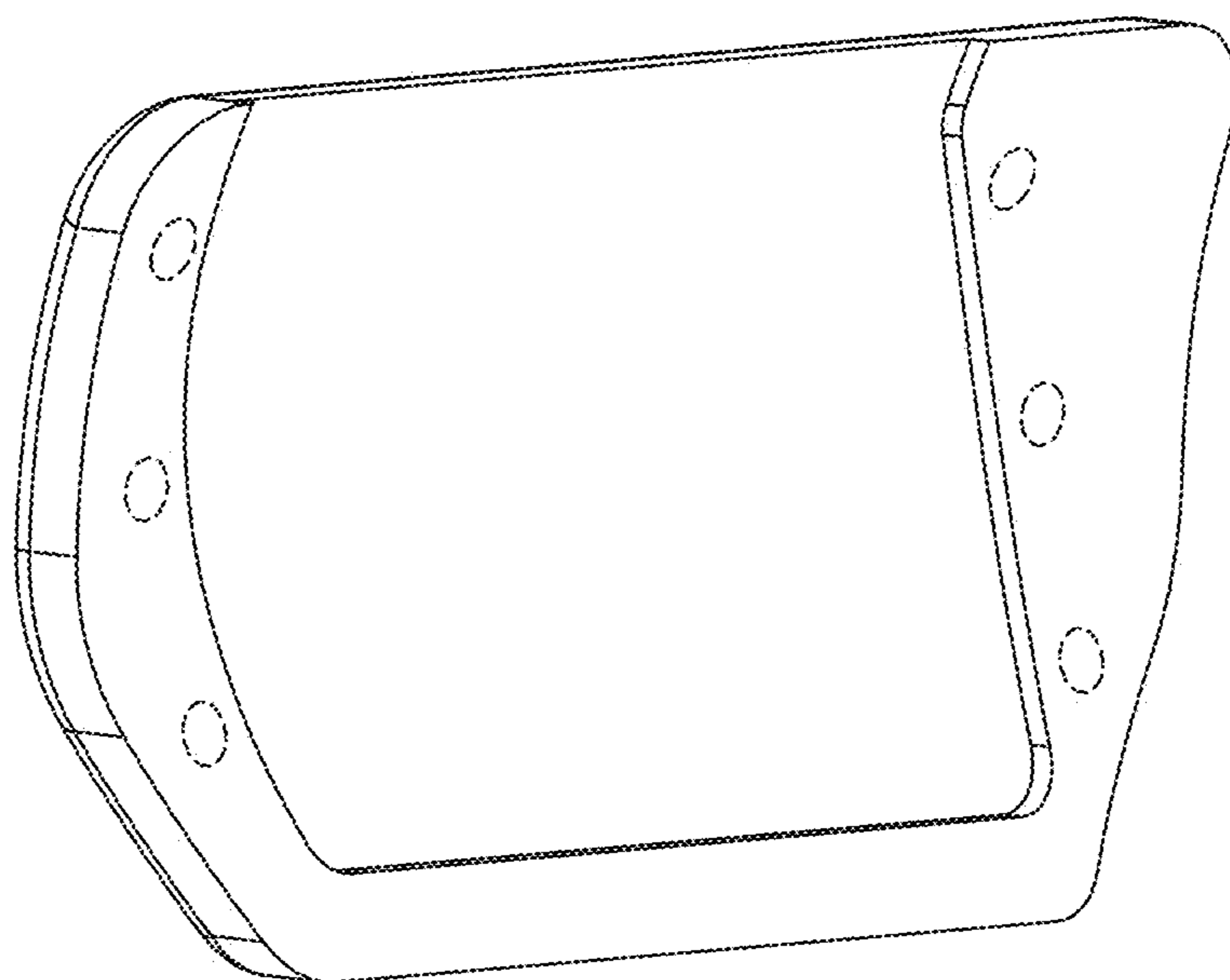
*Figure 5*



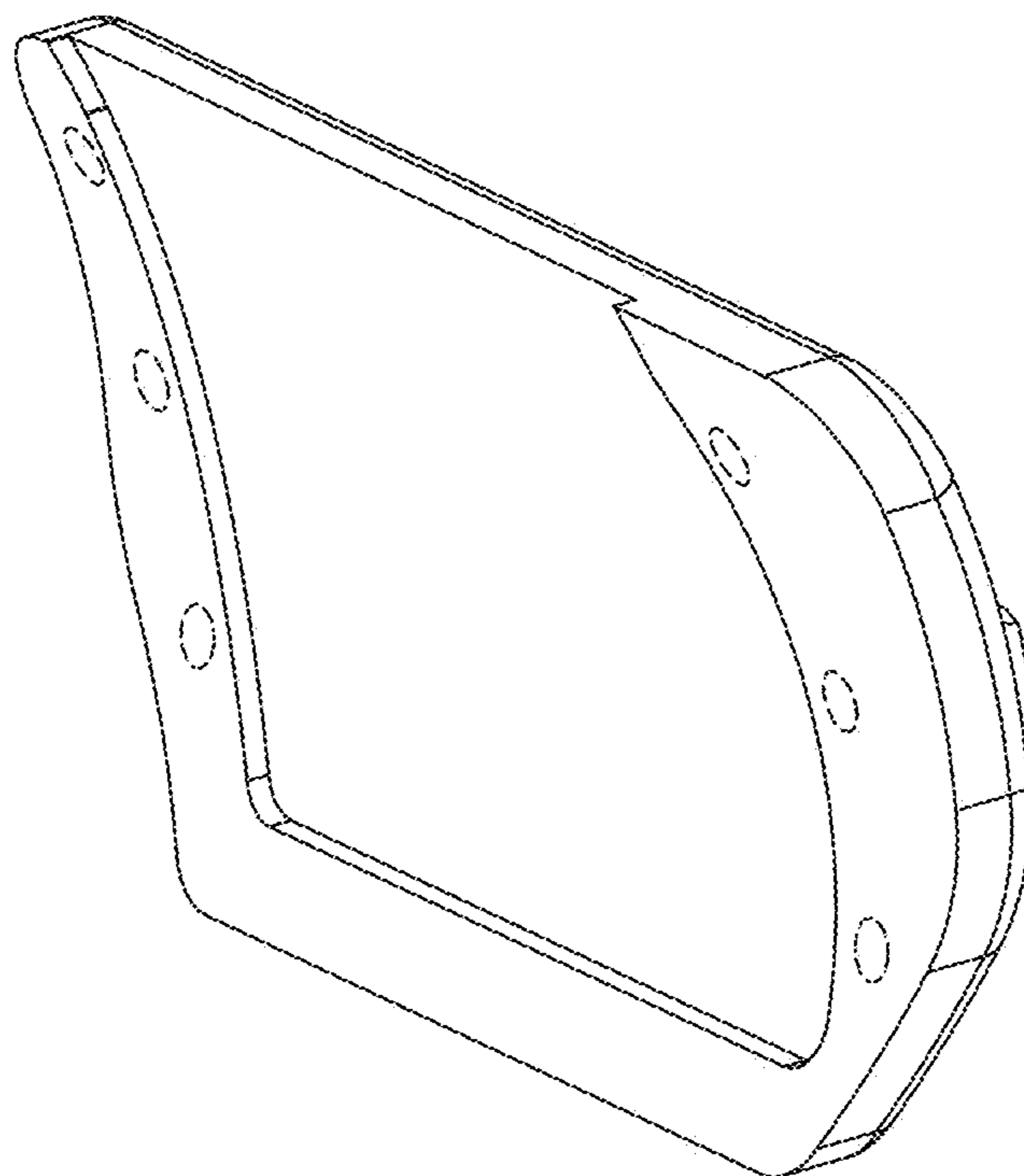
*Figure 6*



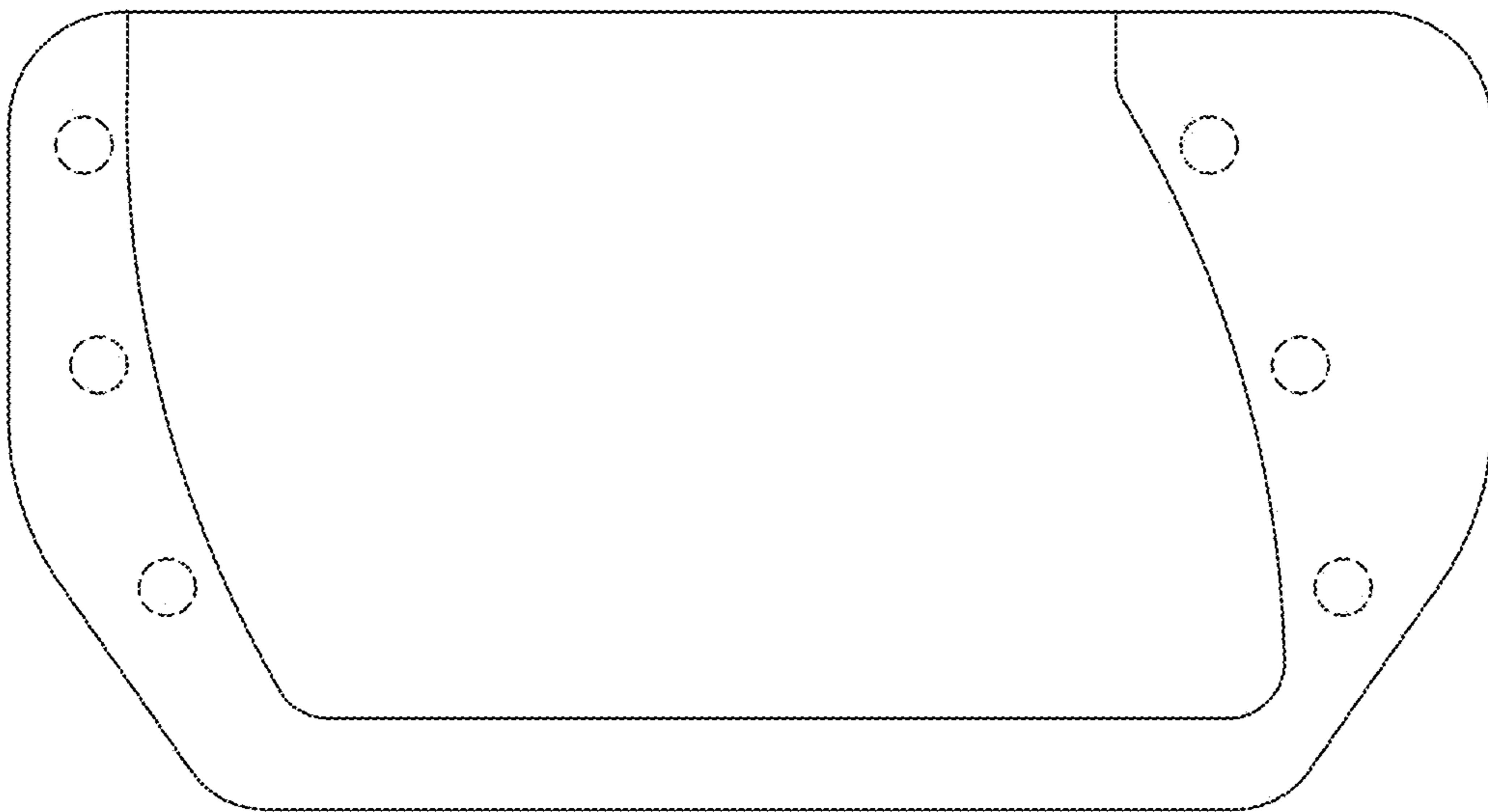
*Figure 7*



*Figure 8*



*Figure 9*



*Figure 10*