



US00D946475S

(12) **United States Design Patent**  
**Geberth et al.**

(10) **Patent No.:** **US D946,475 S**  
(45) **Date of Patent:** **\*\* Mar. 22, 2022**

(54) **PEDAL**

D486,433 S \* 2/2004 Watanabe ..... D12/174  
D499,053 S \* 11/2004 Lee ..... D12/174  
D499,364 S \* 12/2004 Lee ..... D12/174

(Continued)

(71) Applicants: **Daniel Alan Hilton Geberth**, Tampa, FL (US); **Vladimir Stashchak**, Tarpon Springs, FL (US); **Davis Alan Henry**, Tampa, FL (US)

FOREIGN PATENT DOCUMENTS

KR 3020120019576 \* 7/2013

(72) Inventors: **Daniel Alan Hilton Geberth**, Tampa, FL (US); **Vladimir Stashchak**, Tarpon Springs, FL (US); **Davis Alan Henry**, Tampa, FL (US)

OTHER PUBLICATIONS

“Dorman®—Brake Pedal Pad” Carid, posted date Sep. 16, 2020 [online], [retrieved on Nov. 3, 2021]. Retrieved from the Internet <URL:https://www.carid.com/dorman/brake-pedal-pad.html> (Year: 2020).\*

(Continued)

(\*\*) Term: **15 Years**

*Primary Examiner* — Darlington Ly

*Assistant Examiner* — Nasim Abdulaziz Ali

(21) Appl. No.: **29/652,580**

(22) Filed: **Sep. 24, 2020**

(74) *Attorney, Agent, or Firm* — Dunlap Bennett & Ludwig, PLLC

(51) **LOC (13) Cl.** ..... **12-16**

(52) **U.S. Cl.**

USPC ..... **D12/174; D12/125**

(58) **Field of Classification Search**

USPC ..... **D12/125, 174, 190**

CPC ..... **A47G 27/0206; G05G 1/30; G05G 1/483**

See application file for complete search history.

(57)

**CLAIM**

The ornamental design for a pedal, as shown and described.

**DESCRIPTION**

(56) **References Cited**

U.S. PATENT DOCUMENTS

D393,298 S \* 4/1998 Kuo ..... D12/122  
D395,418 S \* 6/1998 Darlas ..... D12/180  
D424,487 S \* 5/2000 Asakura ..... D12/174  
D433,971 S \* 11/2000 Shien ..... D12/174  
6,151,984 A \* 11/2000 Johansson ..... G05G 1/323  
180/334  
D437,271 S \* 2/2001 Saleen ..... D12/174  
D443,570 S \* 6/2001 Saleen ..... D12/174  
D444,436 S \* 7/2001 Saleen ..... D12/174  
D447,102 S \* 8/2001 Saleen ..... D12/174  
6,415,681 B1 \* 7/2002 Porter ..... G05G 1/305  
192/13 R  
D486,103 S \* 2/2004 Watanabe ..... D12/174  
D486,104 S \* 2/2004 Watanabe ..... D12/174

FIG. 1 is a top front right perspective view of the pedal, showing our new design;

FIG. 2 is a front elevation view thereof;

FIG. 3 is a bottom front left perspective view thereof;

FIG. 4 is a rear elevation view thereof;

FIG. 5 is a cross-sectional view thereof, cut along line 5-5 shown in FIG. 4;

FIG. 6 is a top rear left perspective view thereof;

FIG. 7 is a top rear right perspective view thereof;

FIG. 8 is a right side elevation view thereof;

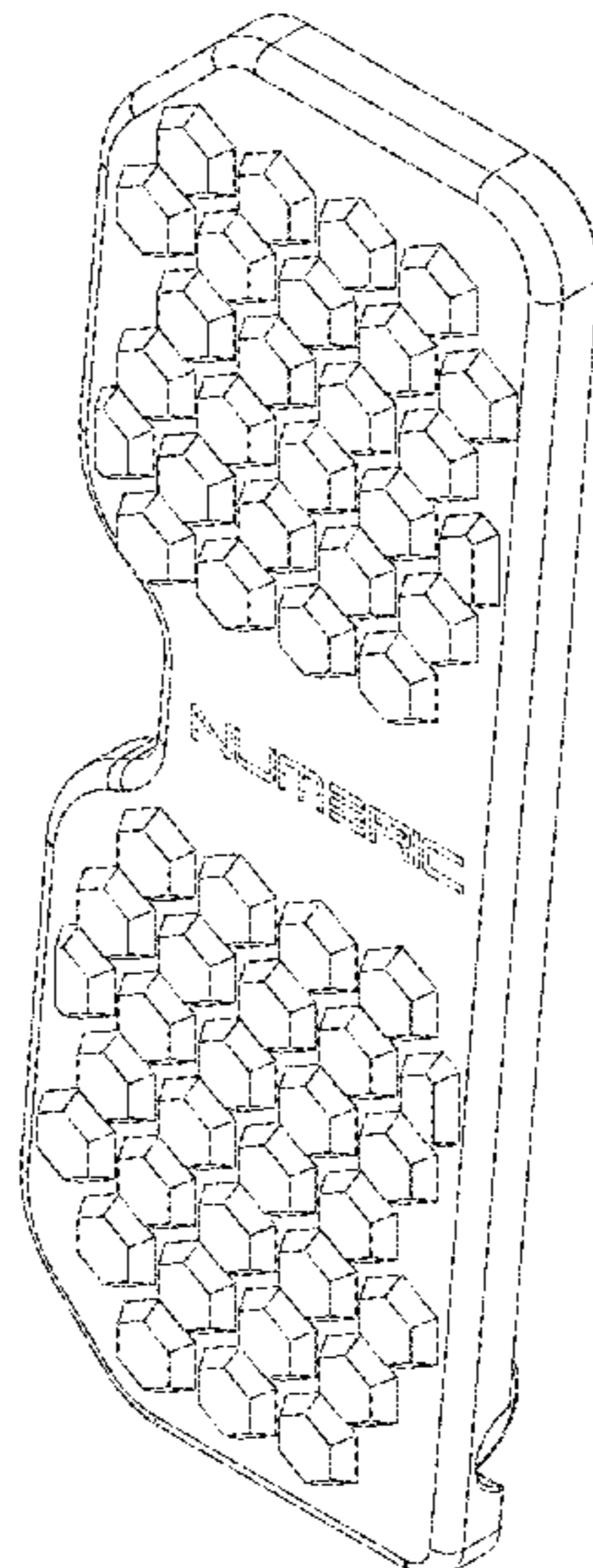
FIG. 9 is a left side elevation view thereof;

FIG. 10 is a top plan view thereof; and,

FIG. 11 is a bottom plan view thereof.

The broken lines shown in the drawings depict portions of the pedal that form no part of the claimed design.

**1 Claim, 8 Drawing Sheets**



(56)

**References Cited**

## U.S. PATENT DOCUMENTS

D499,365	S *	12/2004	Lee	.....	D12/174
D517,460	S *	3/2006	Tatsumi	.....	D12/174
D517,461	S *	3/2006	Tatsumi	.....	D12/174
D540,227	S *	4/2007	Doucet	.....	D12/174
D701,808	S *	4/2014	Geberth	.....	D12/174
D718,192	S *	11/2014	May	.....	D12/114
D924,756	S *	7/2021	Watola	.....	D12/174
D928,102	S *	8/2021	Lu	.....	D13/167
2009/0025506	A1 *	1/2009	Karpachev	.....	B60T 7/06 74/513
2016/0004272	A1 *	1/2016	Kelly	.....	B60T 7/06 74/563
2016/0124457	A1 *	5/2016	Takahashi	.....	G05G 1/483 74/560
2020/0183443	A1 *	6/2020	Kim	.....	G05G 1/38
2020/0192415	A1 *	6/2020	Nagashima	.....	G05G 5/05

## OTHER PUBLICATIONS

“OER \*R5003 68-81 GM Pedal Pad” Speedway Motors., posted date Jun. 26, 2020 [online], [retrieved on Nov. 3, 2021]. Retrieved from the Internet <URL:https://www.speedwaymotors.com/OER-R5003-68-81-GM-Pedal-Pad-Trim-Plate-Kit-Disc-Brake,135357.html> (Year: 2020).\*

“Red Hound Auto 2 Brake Clutch Pads Cover” Red Hound., posted date Jun. 30, 2016 [online], [retrieved on Nov. 3, 2021]. Retrieved from the Internet <URL:https://www.amazon.com/Red-Hound-Auto-Transmission-Replacement/dp/B01HS0O6AE/ref=sr\_1\_21?dchild=1&keywords=pedal+covers&qid=1635952190&sr=8-21> (Year: 2016).\*

\* cited by examiner

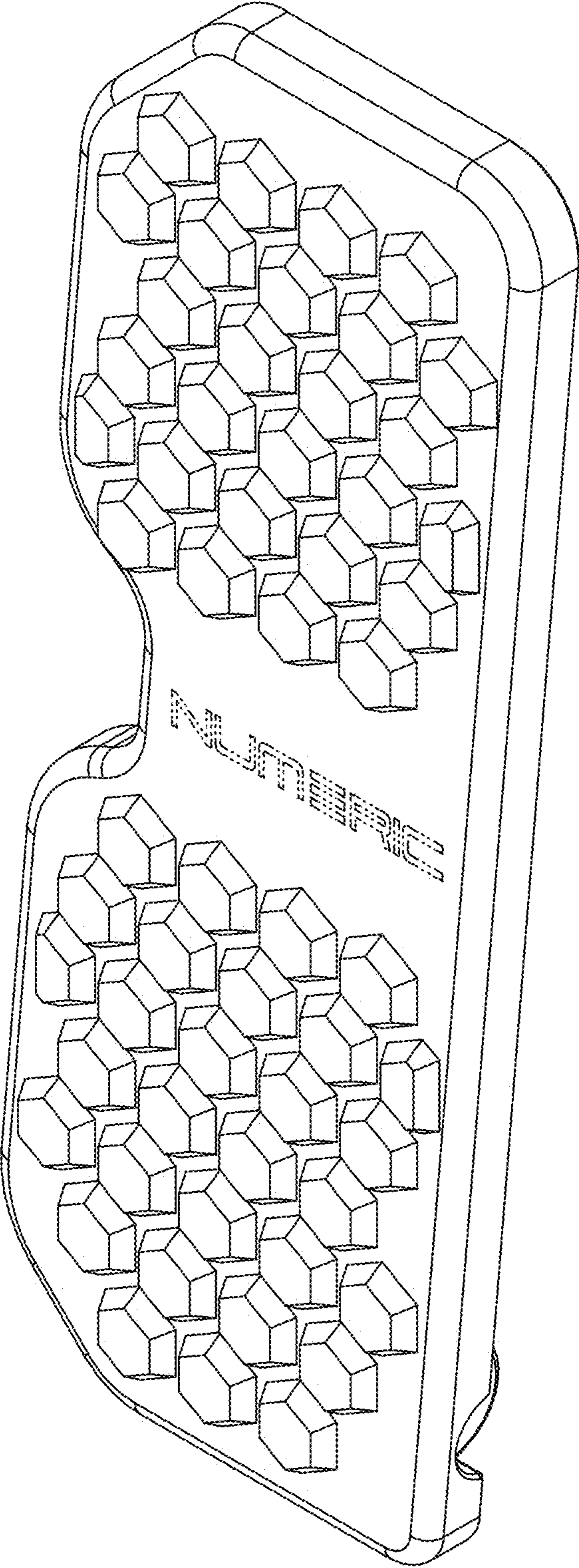


Figure 1

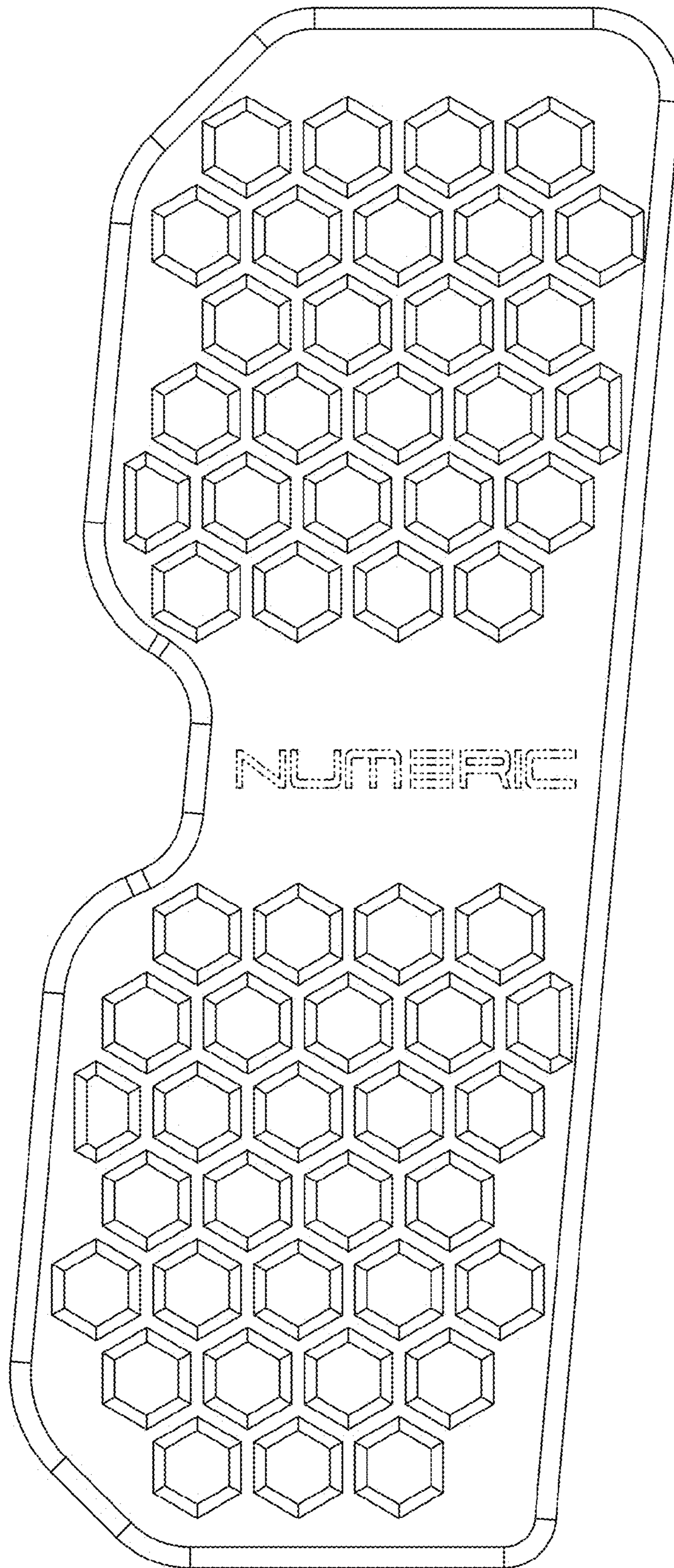


Figure 2

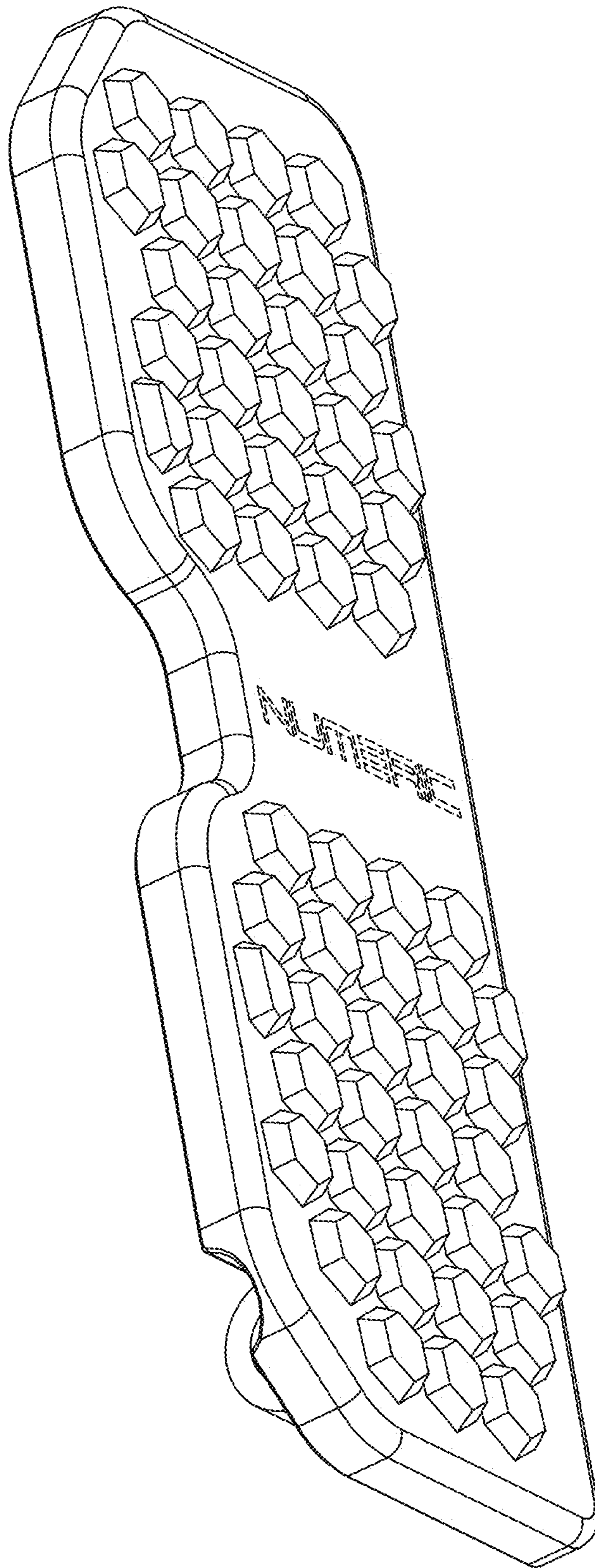


Figure 3

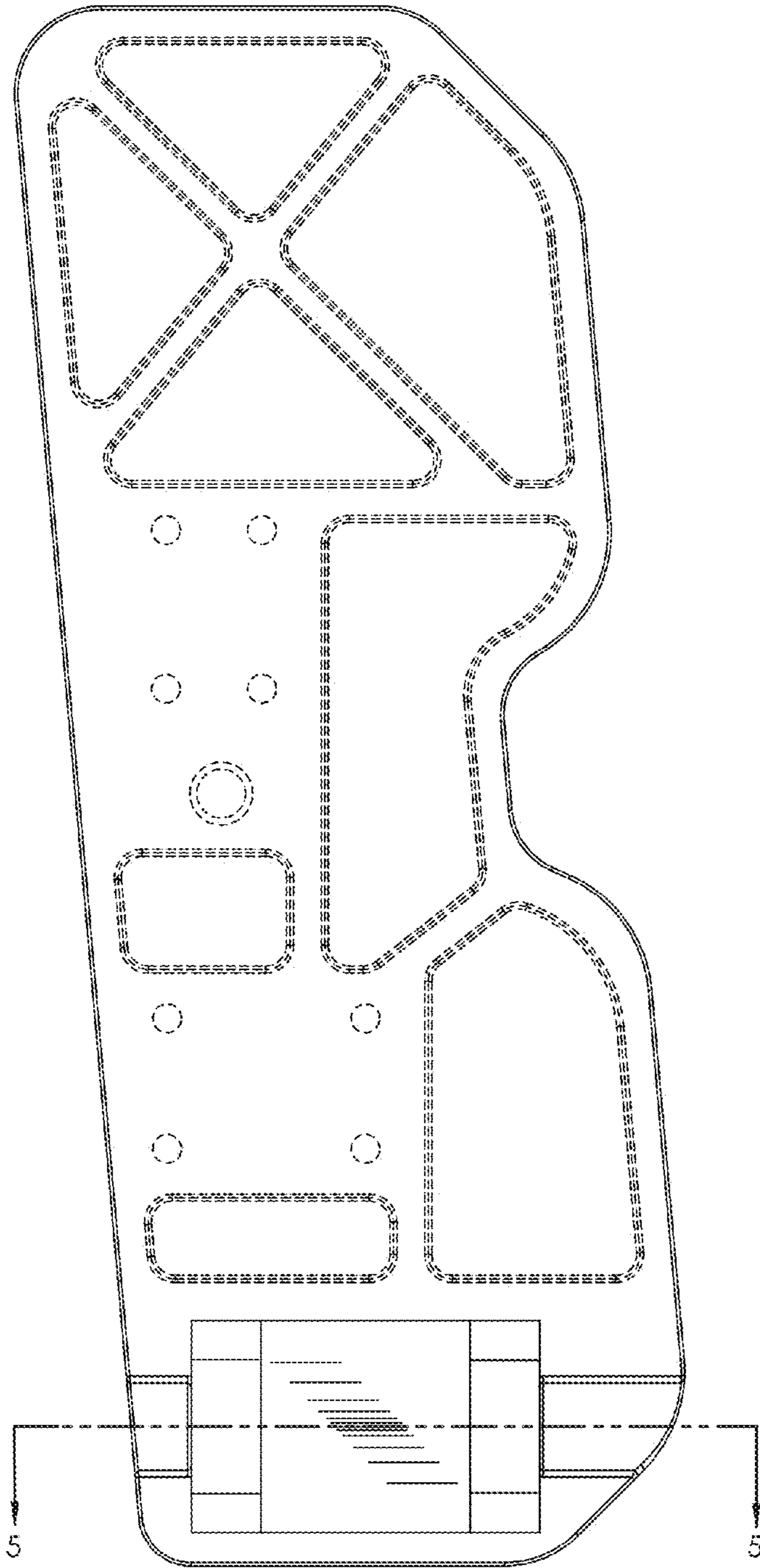


Figure 4

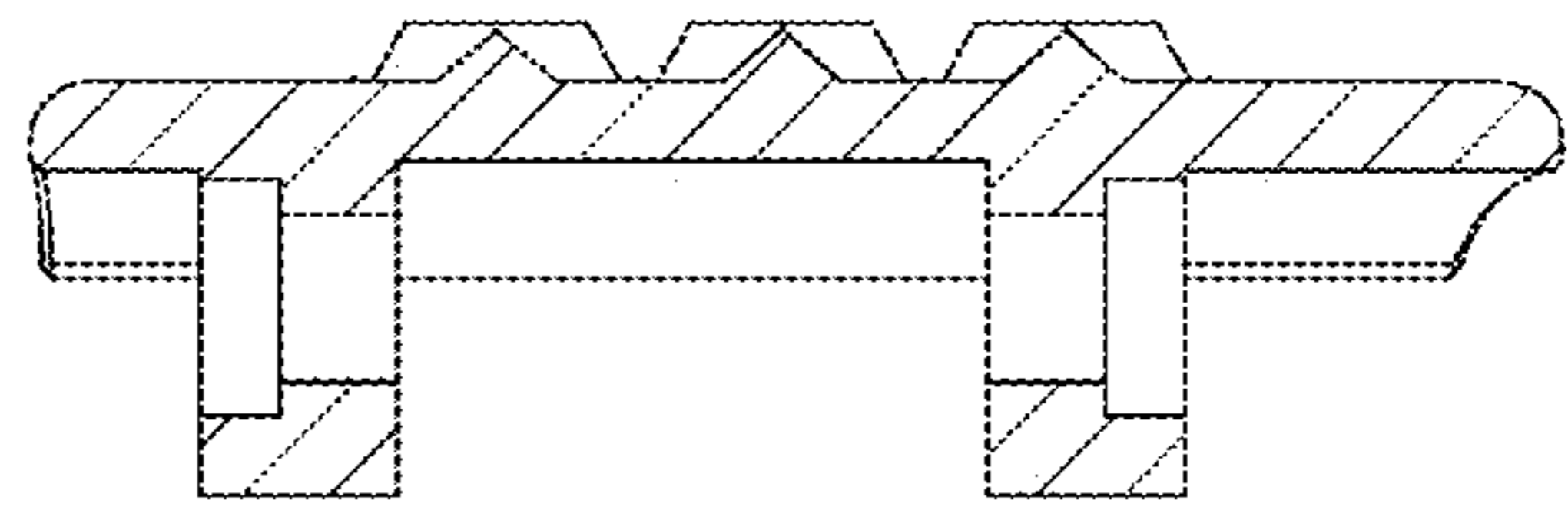


Figure 5

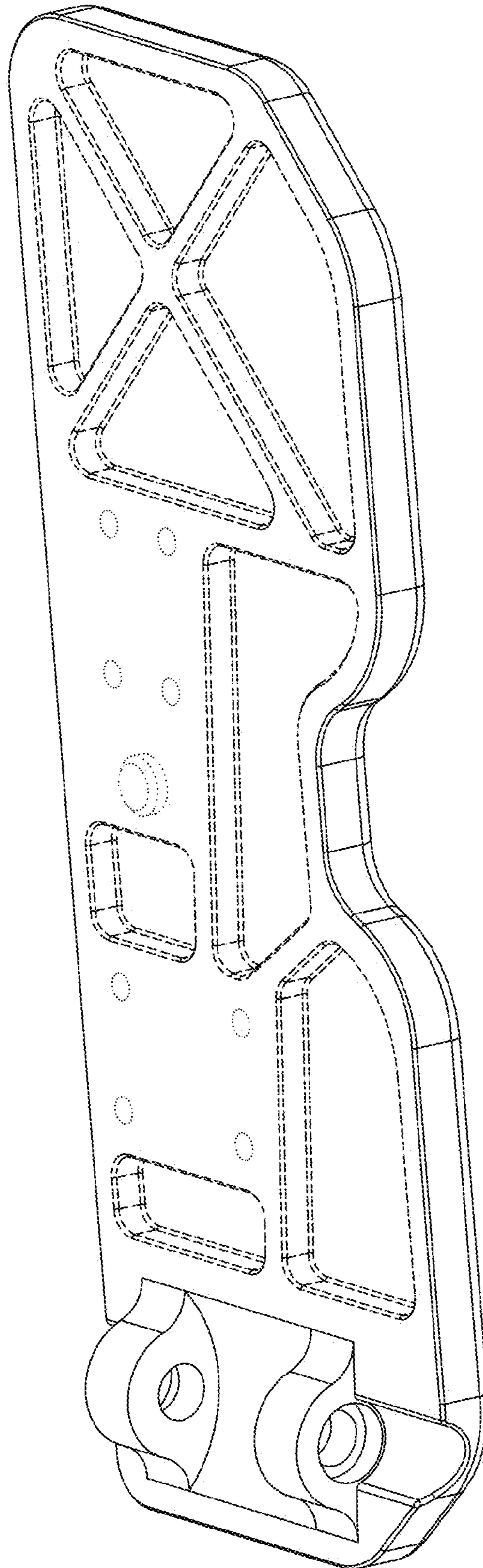


Figure 6

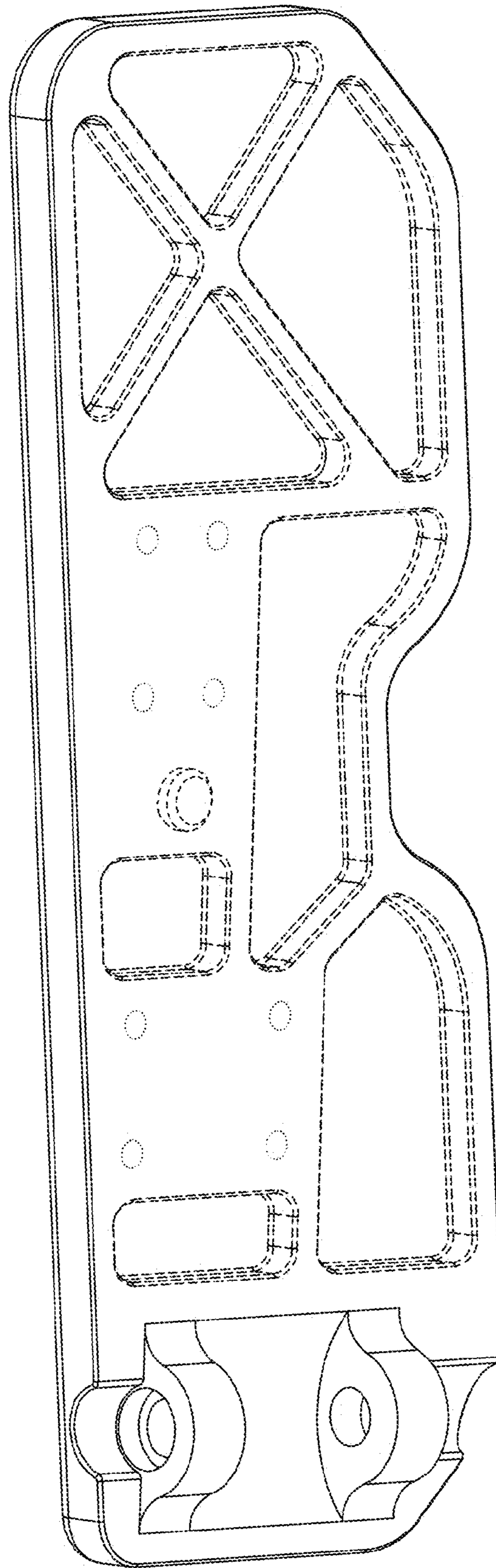


Figure 7



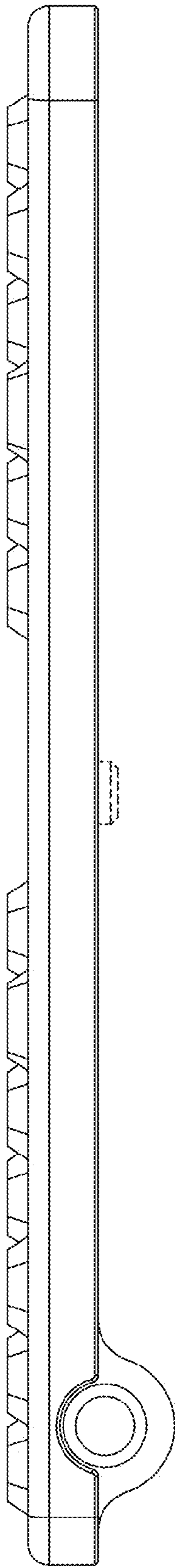


Figure 8

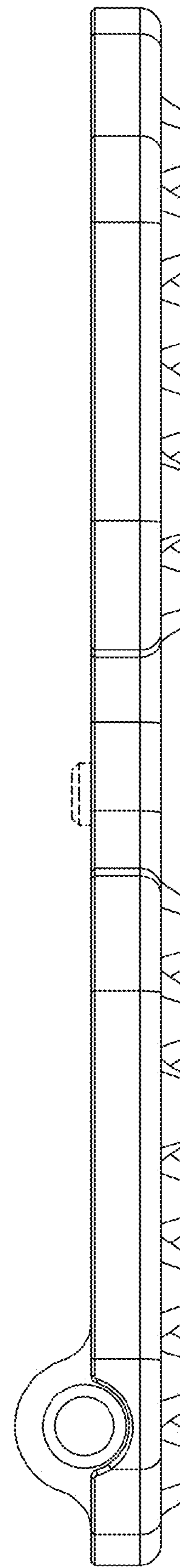
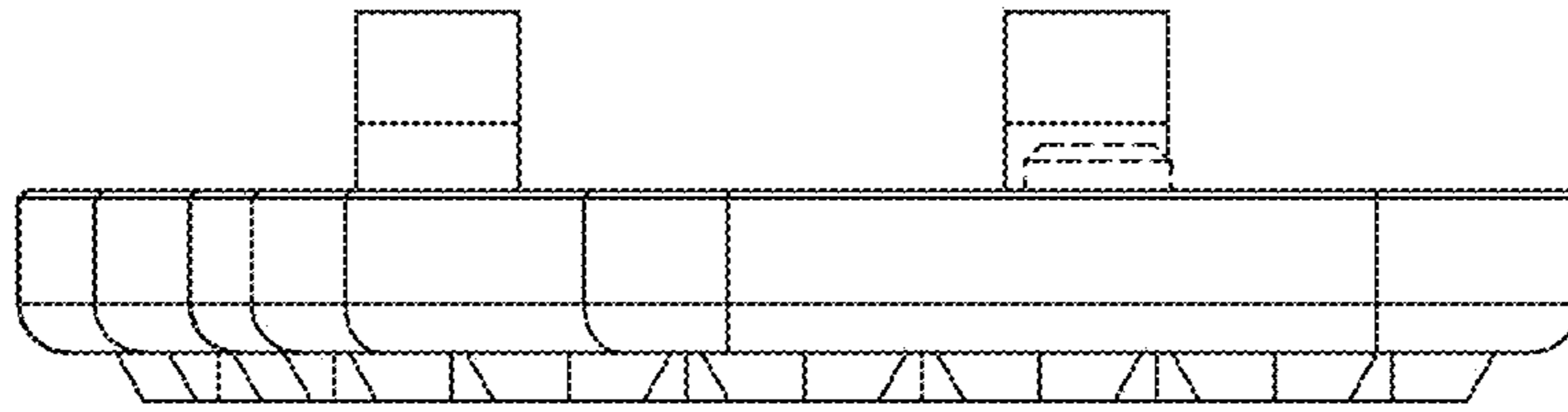
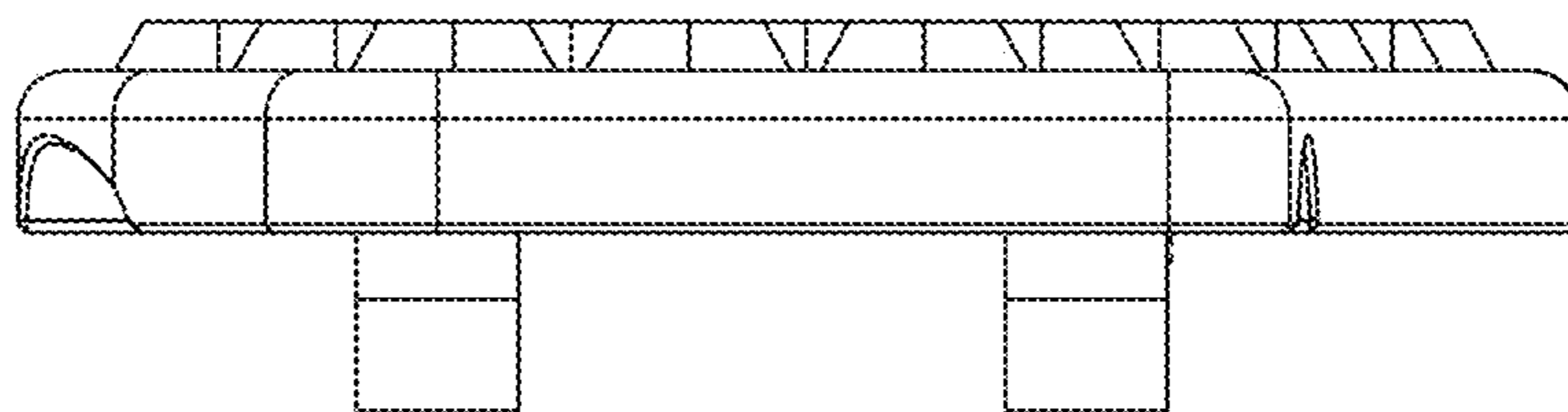


Figure 9



*Figure 10*



*Figure 11*