



US00D946474S

(12) **United States Design Patent** (10) **Patent No.:** **US D946,474 S**
Kim et al. (45) **Date of Patent:** **** Mar. 22, 2022**

(54) **FRONT BUMPER FOR AN AUTOMOBILE**
(71) Applicants: **Kia Motors Corporation**, Seoul (KR);
Hyundai Motor Company, Seoul (KR)
(72) Inventors: **Ki Euk Kim**, Hwaseong-si (KR); **Woo Seop Kim**, Suwon-si (KR)
(73) Assignees: **Kia Motors Corporation**, Seoul (KR);
Hyundai Motor Company, Seoul (KR)

(**) Term: **15 Years**

(21) Appl. No.: **35/510,758**

(22) Filed: **May 14, 2020**

(80) **Hague Agreement Data**

Int. Filing Date: **May 14, 2020**
Int. Reg. No.: **DM/208453**
Int. Reg. Date: **May 14, 2020**
Int. Reg. Pub. Date: **Nov. 20, 2020**

(30) **Foreign Application Priority Data**

Jan. 2, 2020 (KR) 30-2020-0000036

(51) **LOC (13) Cl.** **12-16**

(52) **U.S. Cl.**
USPC **D12/169**

(58) **Field of Classification Search**
USPC D12/169, 163, 167
See application file for complete search history.

(56) **References Cited**

U.S. PATENT DOCUMENTS

D892,687 S * 8/2020 Kim D12/169
D909,931 S * 2/2021 Toriyama D12/169
D918,792 S * 5/2021 Koo D12/169

* cited by examiner

Primary Examiner — George D. Kirschbaum

(74) *Attorney, Agent, or Firm* — Mintz Levin Cohn Ferris
Glovsky and Popeo, P.C.; Peter F. Corless

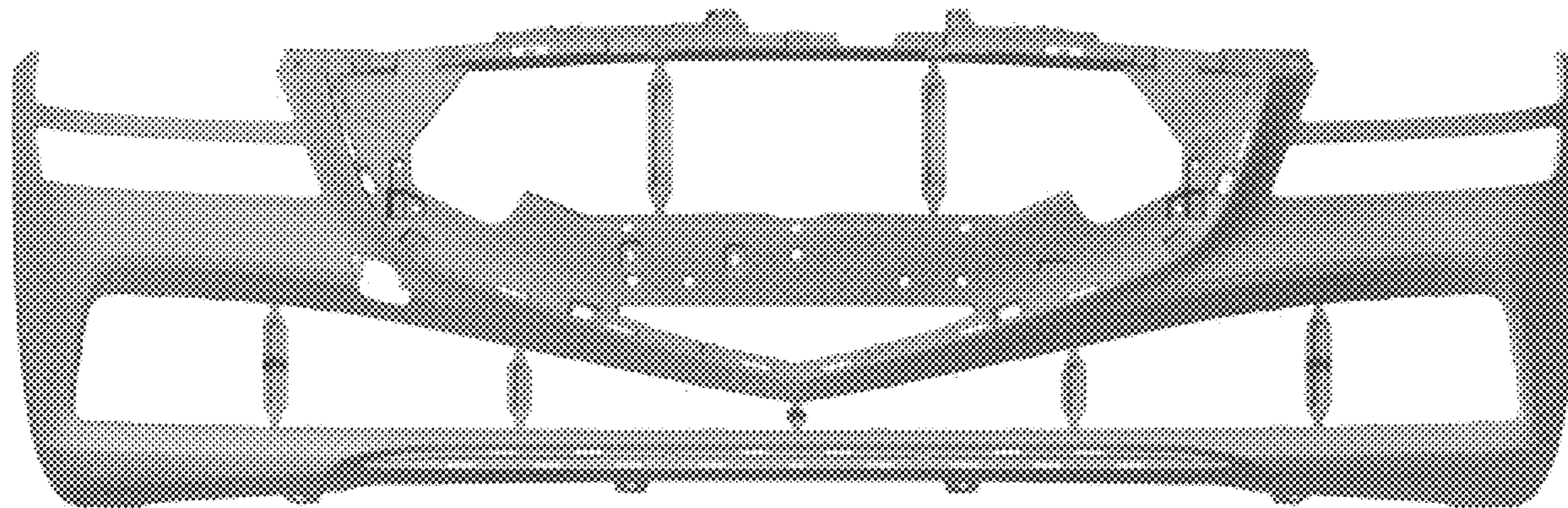
(57) **CLAIM**

The ornamental design for a front bumper for an automobile,
as shown and described.

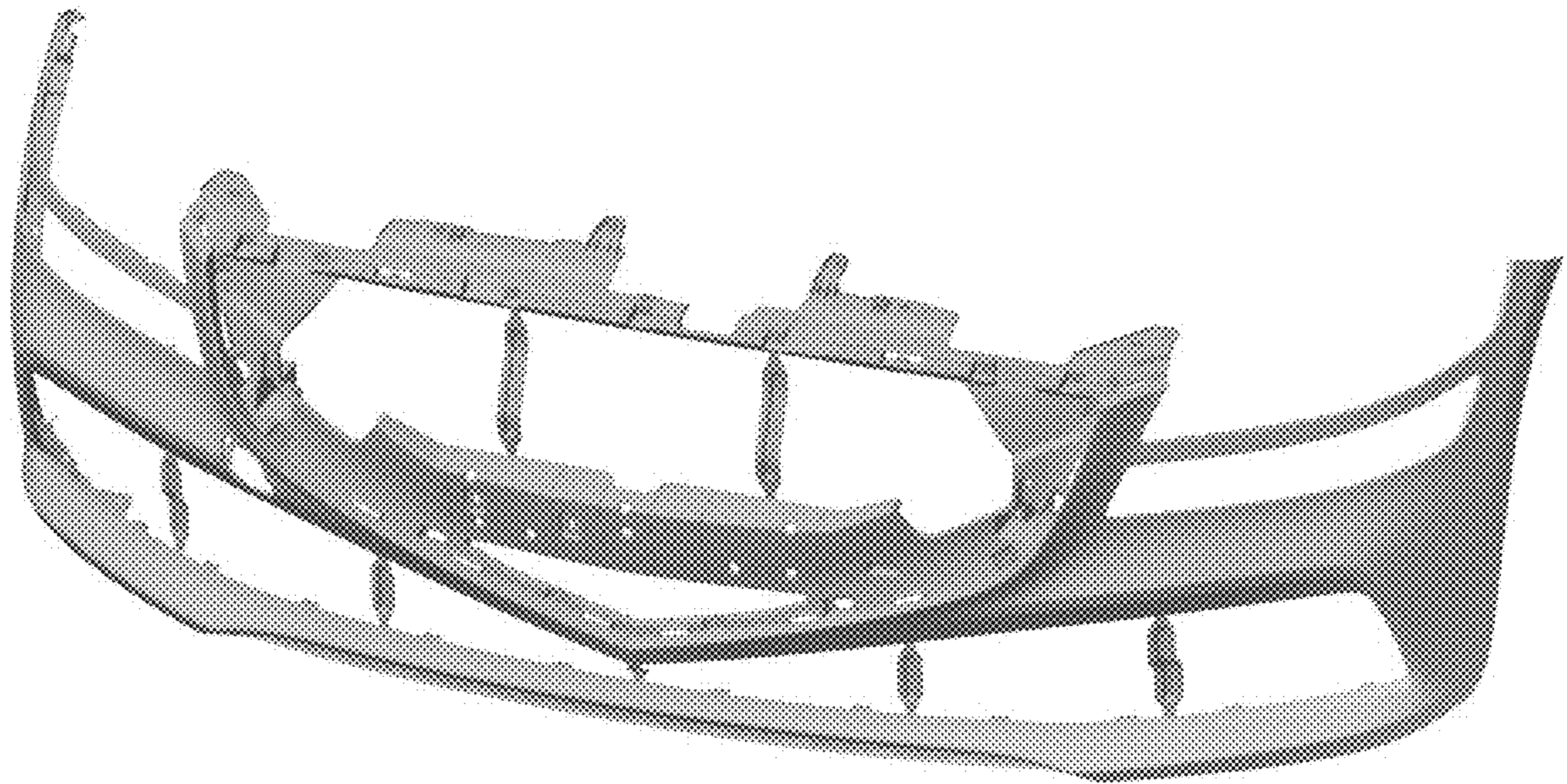
DESCRIPTION

- 1. Front bumper for an automobile
- 1.1 : Perspective
- 1.2 : Front
- 1.3 : Back
- 1.4 : Left
- 1.5 : Right
- 1.6 : Top
- 1.7 : Bottom

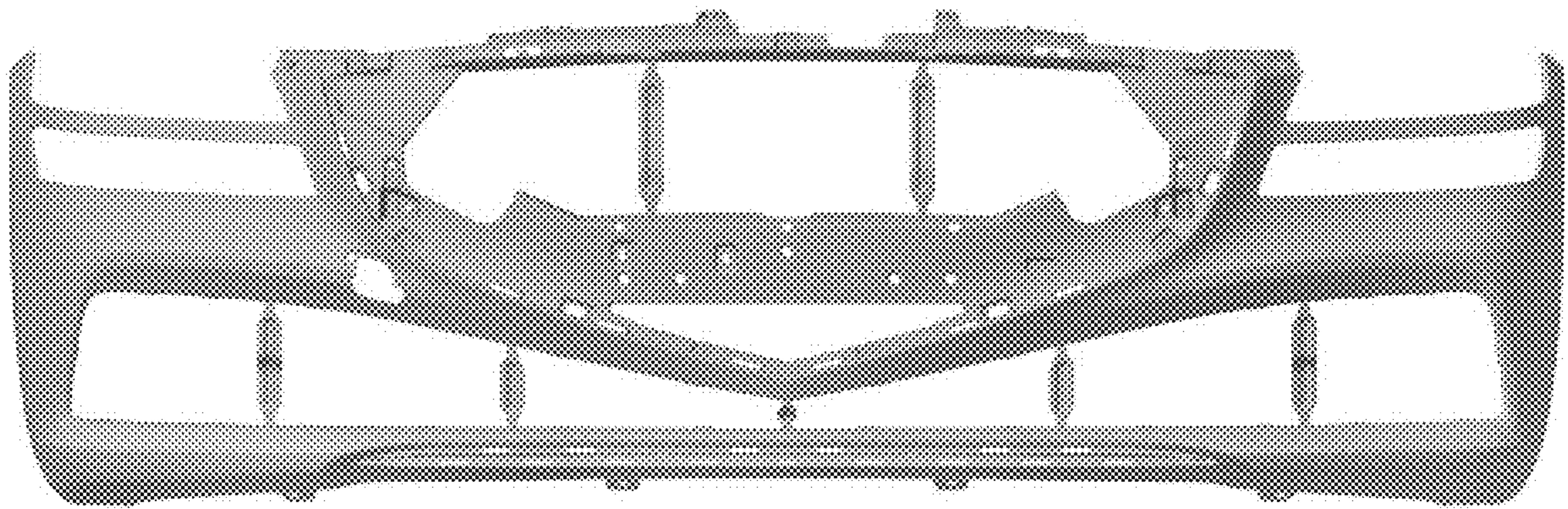
1 Claim, 7 Drawing Sheets



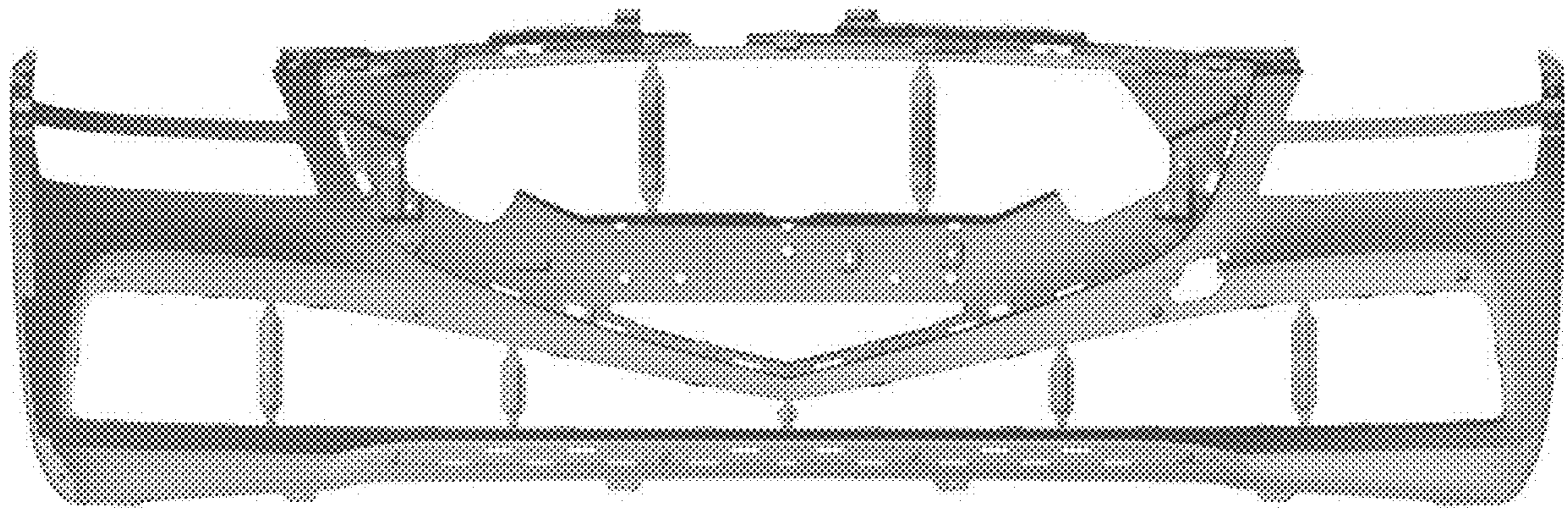
1.1



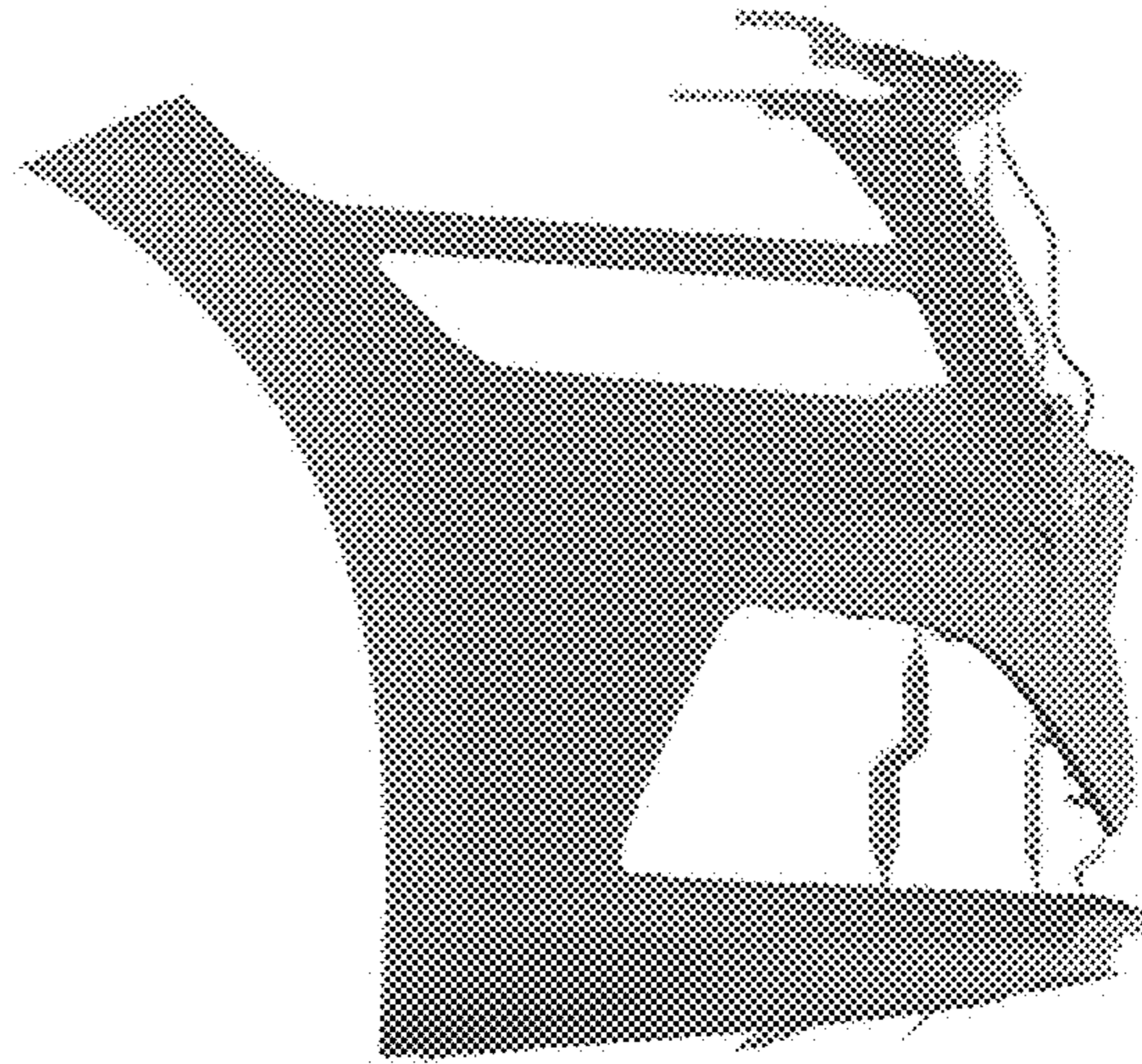
1.2



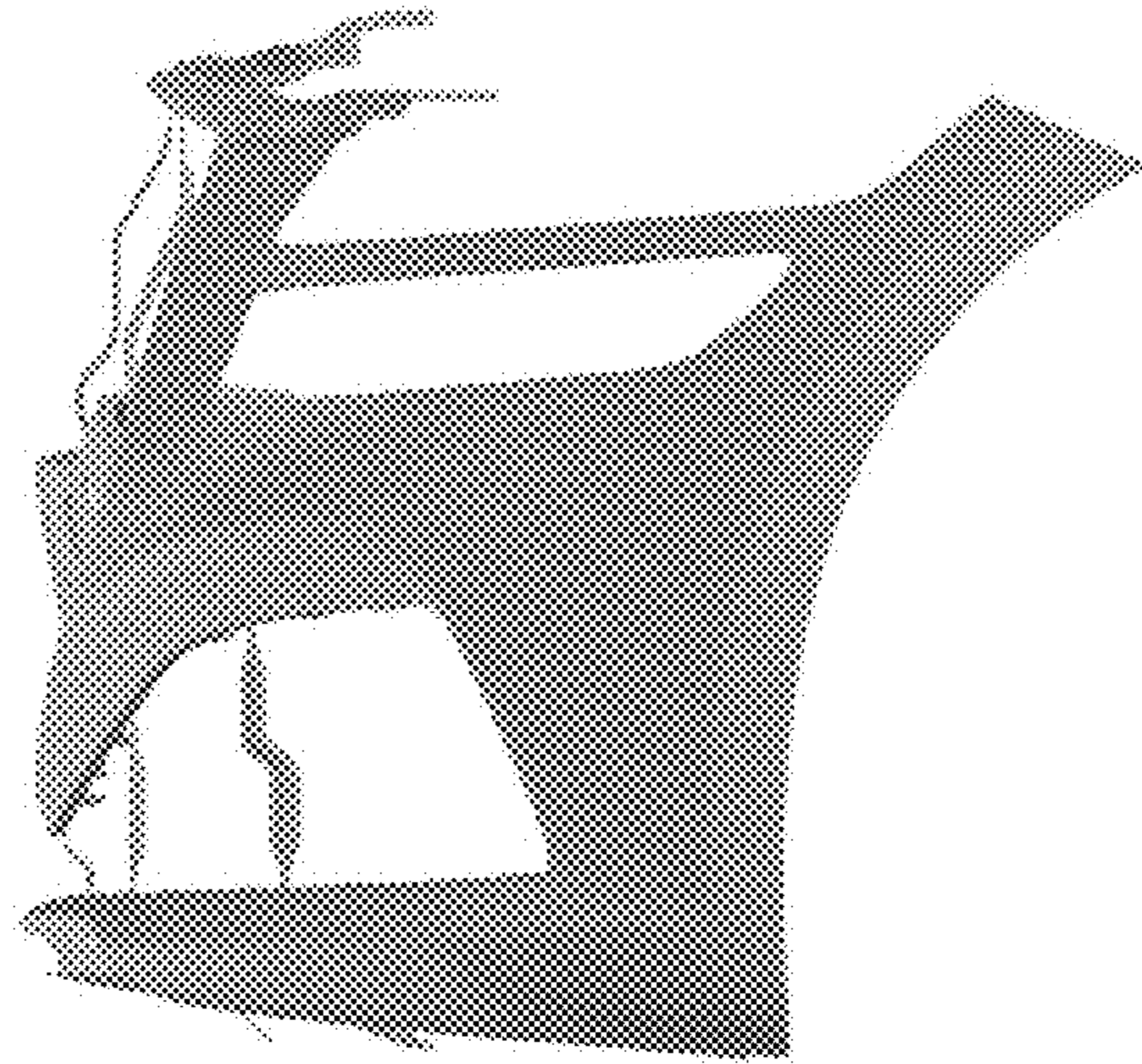
1.3



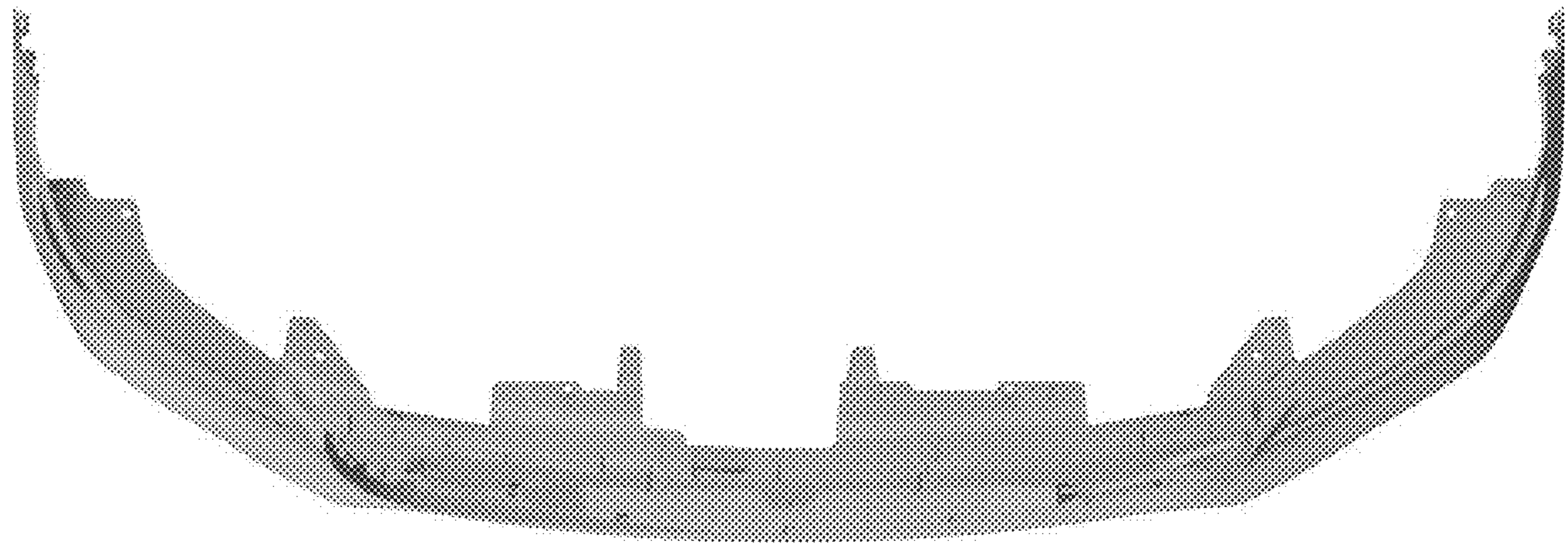
1.4



1.5



1.6



1.7

