



US00D946472S

(12) **United States Design Patent**
Eyler et al.

(10) **Patent No.:** **US D946,472 S**
(45) **Date of Patent:** **** Mar. 22, 2022**

(54) **FENDER WITH INTEGRATED LOCK**
(71) Applicant: **Lyft, Inc.**, San Francisco, CA (US)
(72) Inventors: **Ethan Duncan Eyler**, San Francisco, CA (US); **Alejandro Salvador Garcia**, San Francisco, CA (US); **Peter Rex Luedtke**, New York City, NY (US); **Jesse Jones McMillin**, San Francisco, CA (US); **Rasmus Breitholtz**, San Francisco, CA (US); **Stijn Jagers**, San Francisco, CA (US); **Sang Ik Lee**, San Francisco, CA (US); **Zachary London**, San Francisco, CA (US); **Victoria Slaker**, San Francisco, CA (US)

4,037,441 A * 7/1977 Ray B62H 5/003
70/233
4,055,060 A * 10/1977 Bellino B62H 5/003
70/234
4,068,504 A * 1/1978 Pickard E05B 71/00
70/14
D267,470 S * 1/1983 Scherbing D8/333
4,819,464 A * 4/1989 Kuo E05B 67/003
70/18
4,945,739 A * 8/1990 Prindle B62H 5/003
70/227
D339,054 S * 9/1993 Saito D8/333
5,291,765 A * 3/1994 Hoisington B62H 5/003
70/18

(Continued)

Primary Examiner — Michelle E. Wilson
Assistant Examiner — Clese Moore, Jr.
(74) *Attorney, Agent, or Firm* — Baker Botts L.L.P.

(73) Assignee: **Lyft, Inc.**, San Francisco, CA (US)
(**) Term: **15 Years**

(21) Appl. No.: **29/747,646**
(22) Filed: **Aug. 24, 2020**

Related U.S. Application Data

(63) Continuation of application No. 29/679,801, filed on Feb. 10, 2019, now Pat. No. Des. 894,050.
(51) **LOC (13) Cl.** **12-11**
(52) **U.S. Cl.**
USPC **D12/114**
(58) **Field of Classification Search**
USPC D12/114, 117, 111, 126, 181, 186;
D8/330, 331, 333, 334, 339, 343
CPC B62H 5/003; B62H 5/00; B62H 2003/005;
B62J 11/00; E05B 67/003; E05B 71/00
See application file for complete search history.

(57) **CLAIM**

The ornamental design for a fender with integrated lock, as shown and described.

DESCRIPTION

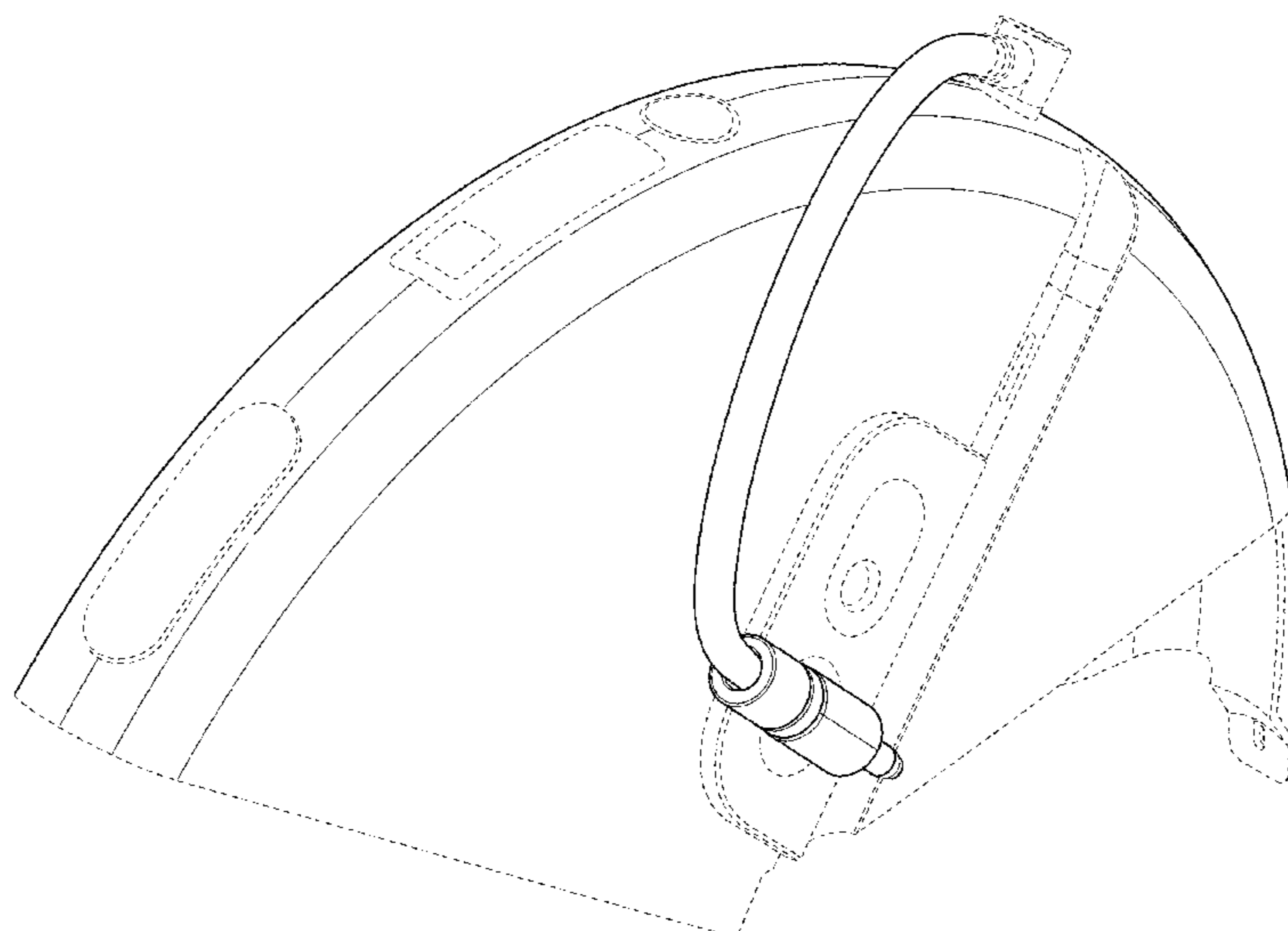
FIG. 1 is a perspective view of a fender with an integrated lock;
FIG. 2 is a right view thereof;
FIG. 3 is a left view thereof;
FIG. 4 is a rear view thereof;
FIG. 5 is a top view thereof;
FIG. 6 is a bottom view thereof;
FIG. 7 is a front view thereof; and,
FIG. 8 is a perspective view of a fender with an integrated lock and environmental structure.
The broken lines are included for the purpose of showing environmental portions of the fender with an integrated lock and form no part of the claimed design.

(56) **References Cited**

U.S. PATENT DOCUMENTS

3,808,847 A * 5/1974 Vesely E05B 67/003
70/18
4,028,916 A * 6/1977 Pender B62H 5/003
70/233

1 Claim, 8 Drawing Sheets



(56)

References Cited

U.S. PATENT DOCUMENTS

D370,401 S *	6/1996	Minkin	D8/333	7,281,399 B2 *	10/2007	Gagosz	B62H 5/003 211/5
D376,568 S	12/1996	Davidson et al.			D612,781 S *	3/2010	Harrell, Jr.	D12/186
5,706,679 A *	1/1998	Zane	E05B 67/003 70/18	D634,249 S *	3/2011	Dallaire	D12/186
D390,771 S	2/1998	Egger			D694,686 S *	12/2013	Deluy	D12/186
5,718,134 A	2/1998	Chang			D704,033 S	5/2014	Davidson et al.		
6,006,555 A *	12/1999	Shu-Fen	E05B 67/003 70/18	D731,288 S	6/2015	McKechnie et al.		
6,016,673 A *	1/2000	McDaid	B62H 5/003 224/451	D769,103 S	10/2016	Loughlin et al.		
6,167,734 B1 *	1/2001	Derman	E05B 73/0005 248/552	D789,836 S	6/2017	Gouin et al.		
6,406,049 B1	6/2002	Jimison et al.			D809,895 S	2/2018	Frantz		
6,430,973 B1	8/2002	Huang			D813,768 S *	3/2018	Serotta	D12/186
7,131,298 B1 *	11/2006	Haraughty	B62H 5/003 70/18	D830,811 S	10/2018	Frantz		
					10,196,837 B2 *	2/2019	Holmes	E05B 71/00
					10,513,301 B2 *	12/2019	Serotta	B62J 15/02
					10,577,834 B1 *	3/2020	Luedtke	B62H 5/003
					10,689,046 B1 *	6/2020	Luedtke	B62H 5/20
					D894,050 S *	8/2020	Eyler	D12/114
					2015/0158553 A1	6/2015	Moore		
					2016/0194905 A1	7/2016	Edell		

* cited by examiner

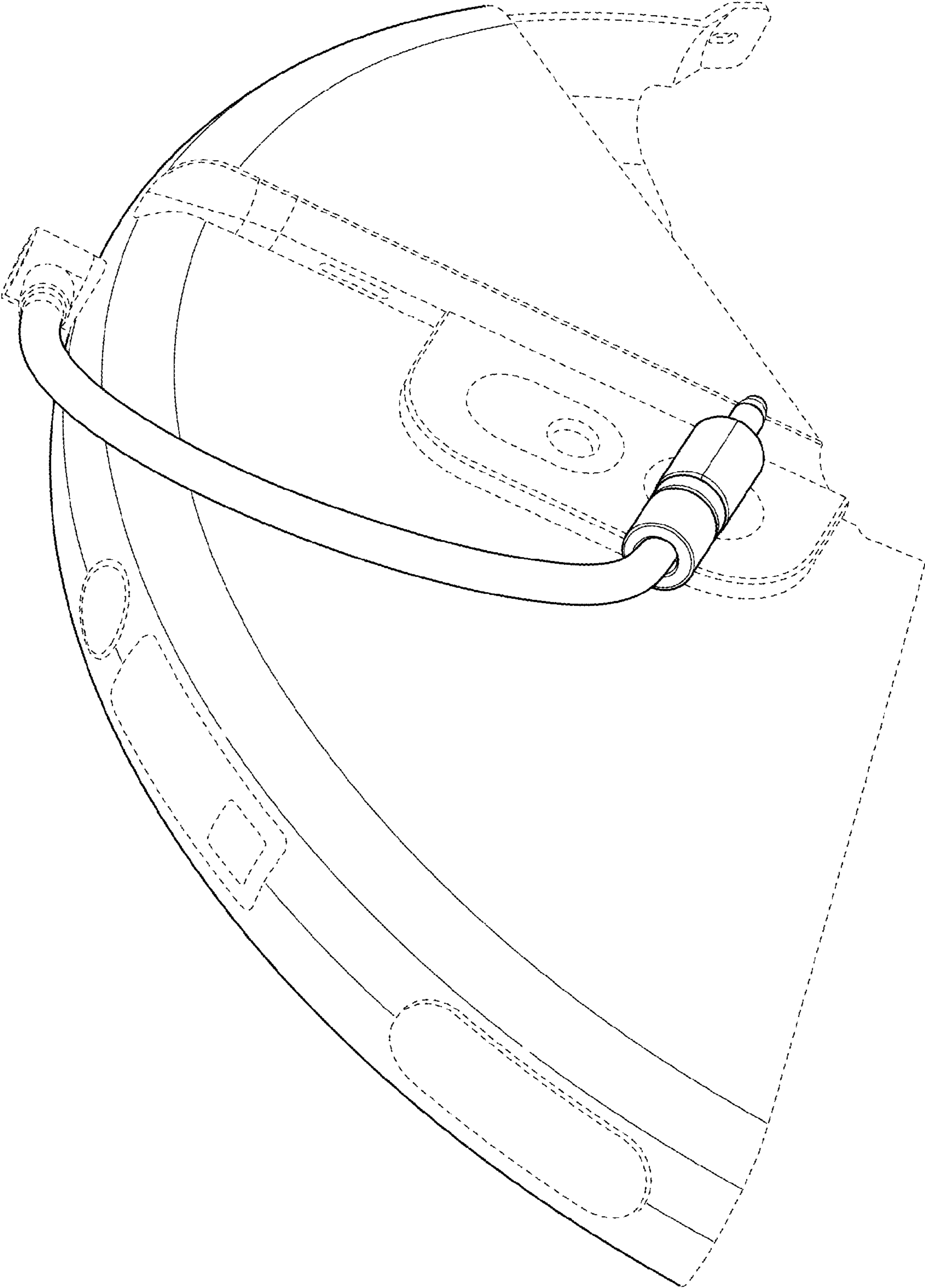


FIG. 1

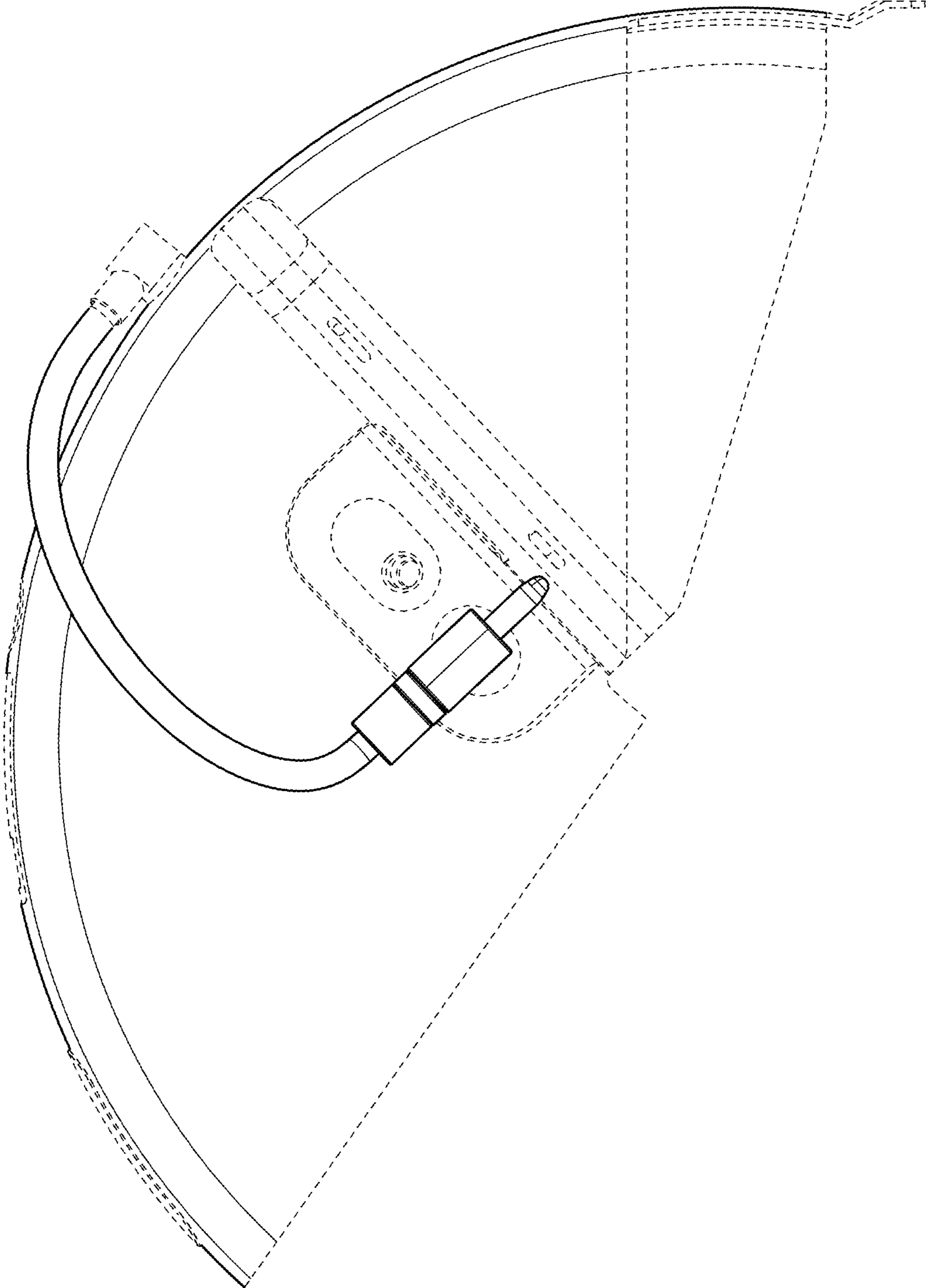


FIG. 2

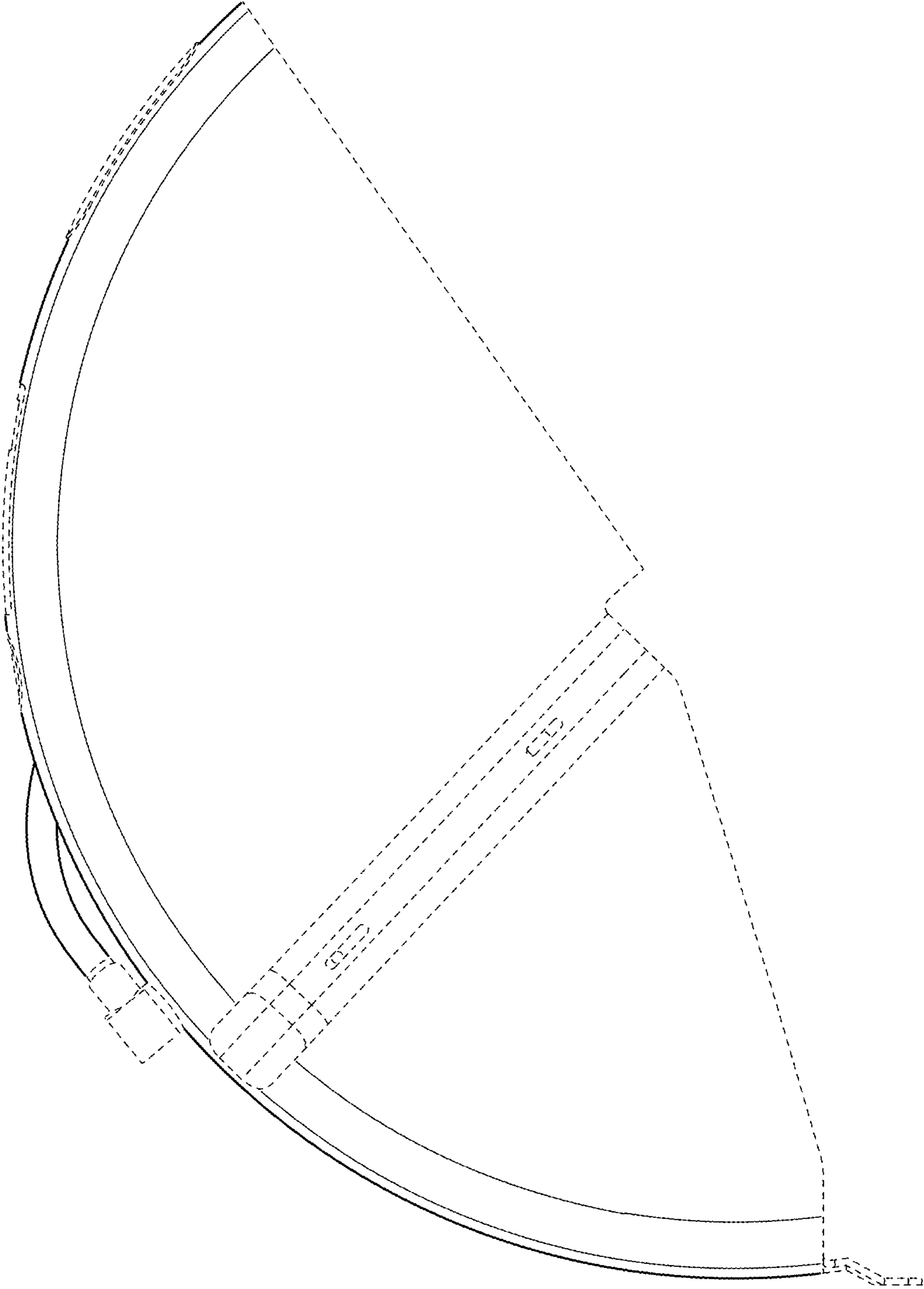


FIG. 3

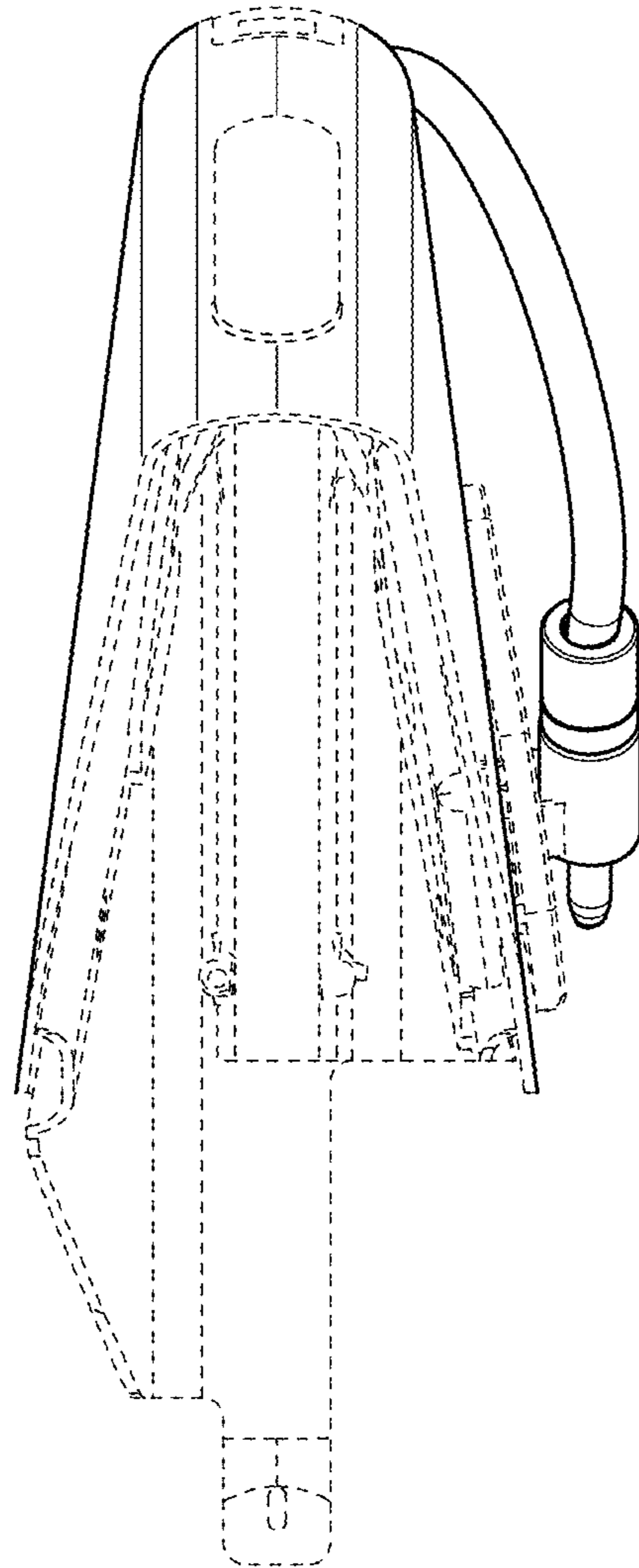


FIG. 4

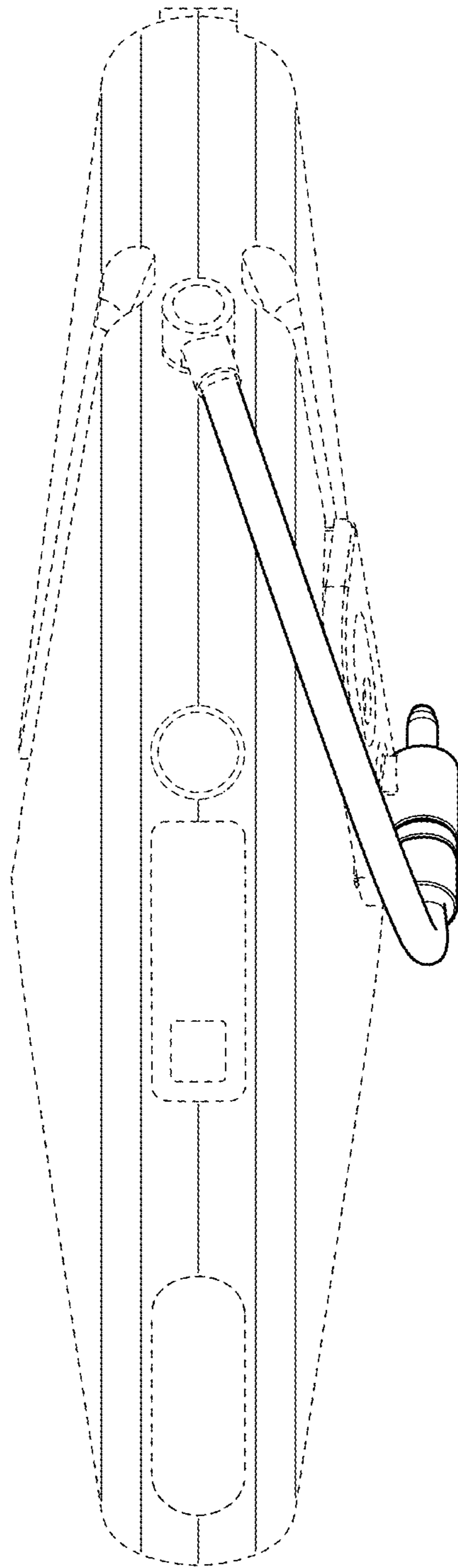


FIG. 5

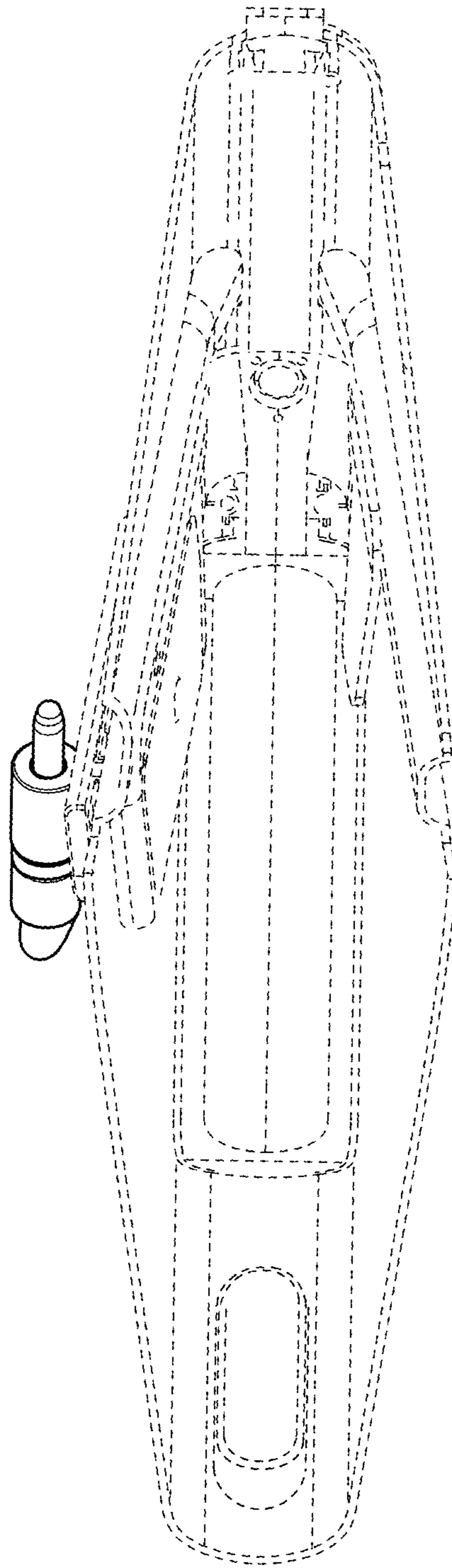


FIG. 6

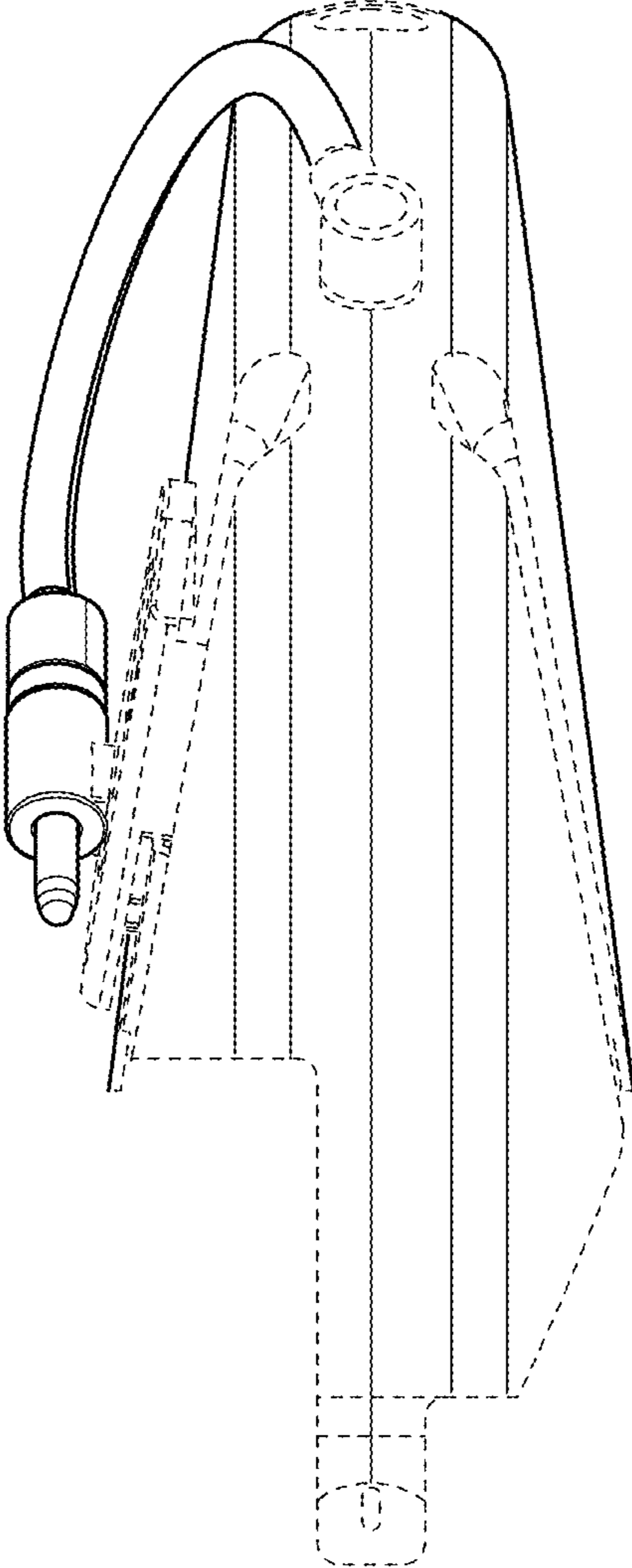


FIG. 7

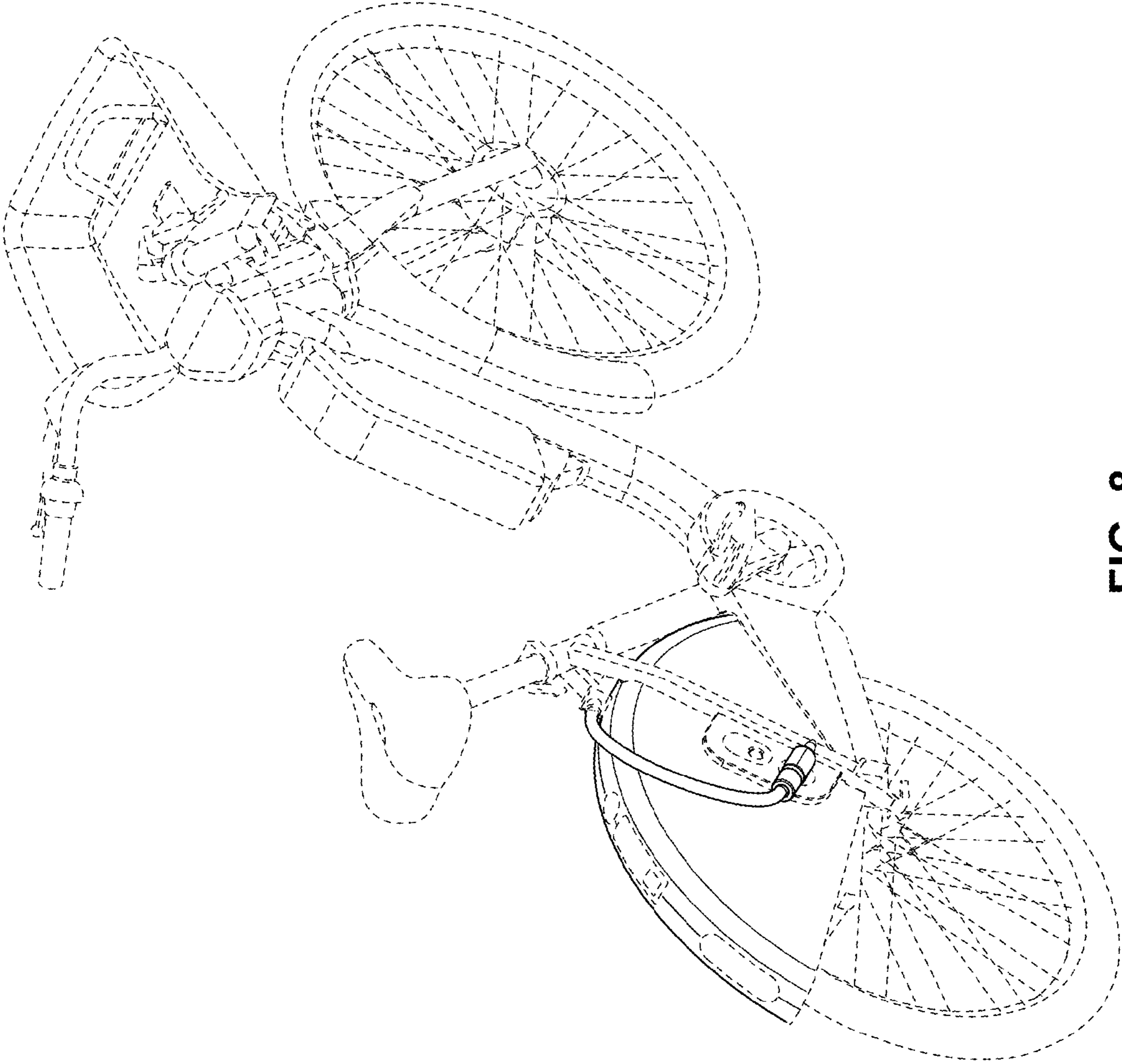


FIG. 8