



US00D946470S

(12) **United States Design Patent**  
**Harbour**

(10) **Patent No.:** **US D946,470 S**

(45) **Date of Patent:** **\*\* Mar. 22, 2022**

(54) **TRUCK VEHICLE**

(71) Applicant: **Shane Harbour**, Rochester Hills, MI  
(US)

(72) Inventor: **Shane Harbour**, Rochester Hills, MI  
(US)

(\*\*) Term: **15 Years**

(21) Appl. No.: **29/729,286**

(22) Filed: **Mar. 25, 2020**

(51) **LOC (13) Cl.** ..... **12-08**

(52) **U.S. Cl.**  
USPC ..... **D12/98; D21/562**

(58) **Field of Classification Search**  
USPC ..... D12/86, 90-92, 164, 98; D21/424, 433,  
D21/434, 533, 548, 562; 296/181.1,  
296/181.5, 181.3, 183.1, 37.6  
CPC ..... B60R 9/06; B62D 35/00  
See application file for complete search history.

(56) **References Cited**

**U.S. PATENT DOCUMENTS**

D264,204 S	5/1982	Bauer	
D336,266 S	6/1993	Hunter	
D393,609 S	4/1998	Kanthak et al.	
D394,238 S	5/1998	Haller et al.	
D396,838 S	8/1998	Mills	
D436,910 S	1/2001	Hale, Jr.	
D465,750 S	11/2002	Opfer et al.	
D521,901 S	5/2006	Dean	
D542,212 S	5/2007	Simpson	
D543,489 S	5/2007	Gunby	
D551,127 S *	9/2007	Kruger	..... D12/98

D551,901 S *	10/2007	Hulett	..... D7/397
D564,946 S	3/2008	Kruger et al.	
D579,382 S	10/2008	Arnone et al.	
D586,699 S	2/2009	Opfer et al.	
D659,052 S	5/2012	Ware et al.	
D802,685 S *	11/2017	Barajas	..... D21/562
D826,129 S	8/2018	Fukuta	
D830,930 S	10/2018	Rodriguez	
D833,945 S	11/2018	Henderson	
D835,022 S	12/2018	Kong	
D836,027 S *	12/2018	Bollinger	..... D12/91
D836,032 S	12/2018	Ninov et al.	
D836,520 S	12/2018	Han	
D847,029 S	4/2019	Ninov et al.	
D865,569 S *	11/2019	Jeung	..... D12/98
D913,858 S *	3/2021	Wang	..... D12/98
D930,087 S *	9/2021	Barajas	..... D21/562
D930,760 S *	9/2021	Ewing	..... D21/562

\* cited by examiner

*Primary Examiner* — Melody N Brown  
(74) *Attorney, Agent, or Firm* — Dunlap Bennett & Ludwig, PLLC

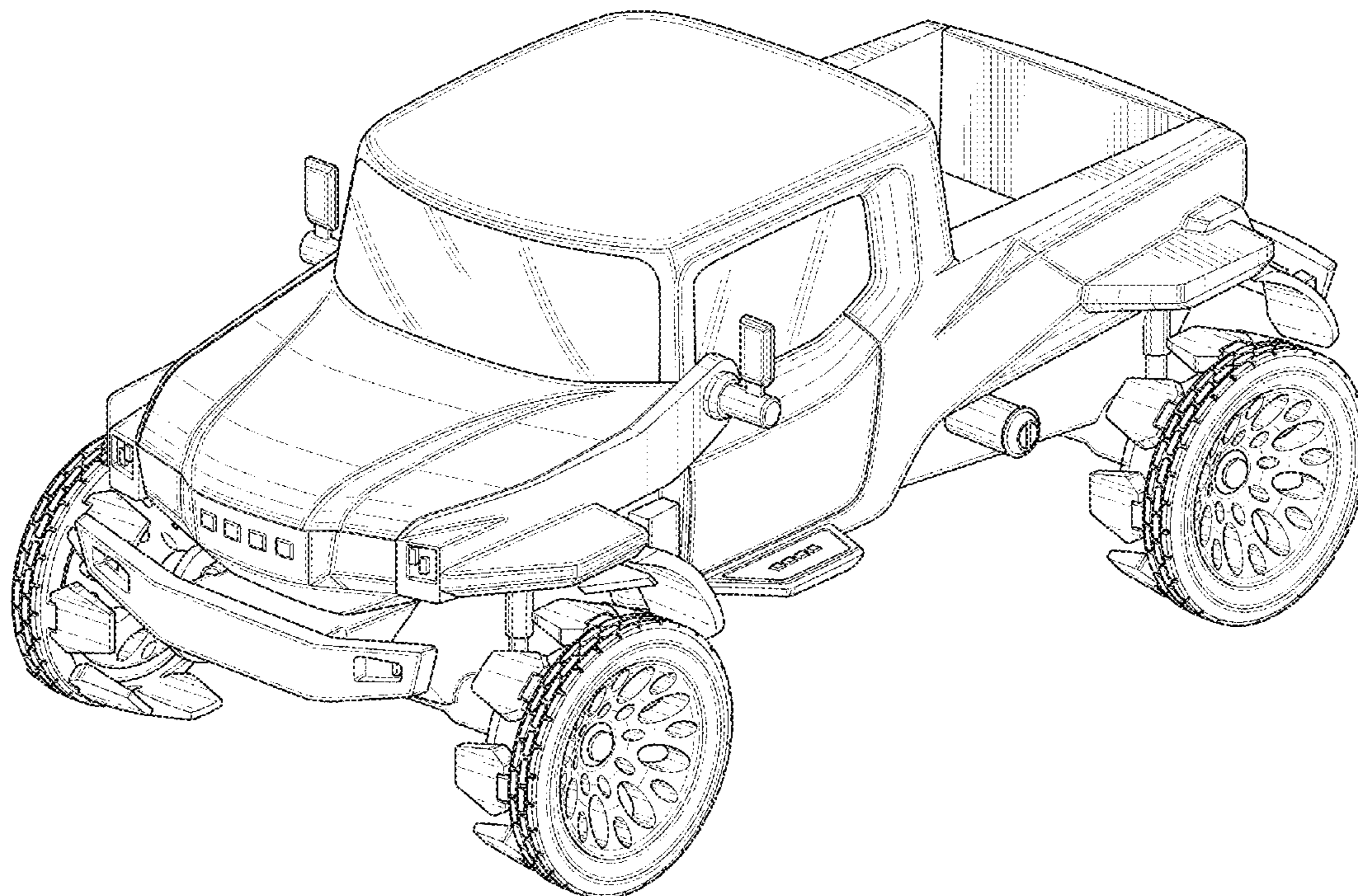
(57) **CLAIM**

The ornamental design for a truck vehicle, as shown and described.

**DESCRIPTION**

FIG. 1 is a top, front and left side perspective view of a truck vehicle showing my new design;  
FIG. 2 is a top plan view thereof;  
FIG. 3 is a left-side elevation view thereof;  
FIG. 4 is a right-side elevation view thereof;  
FIG. 5 is a front elevation view thereof; and,  
FIG. 6 is a rear elevation view thereof.

**1 Claim, 6 Drawing Sheets**





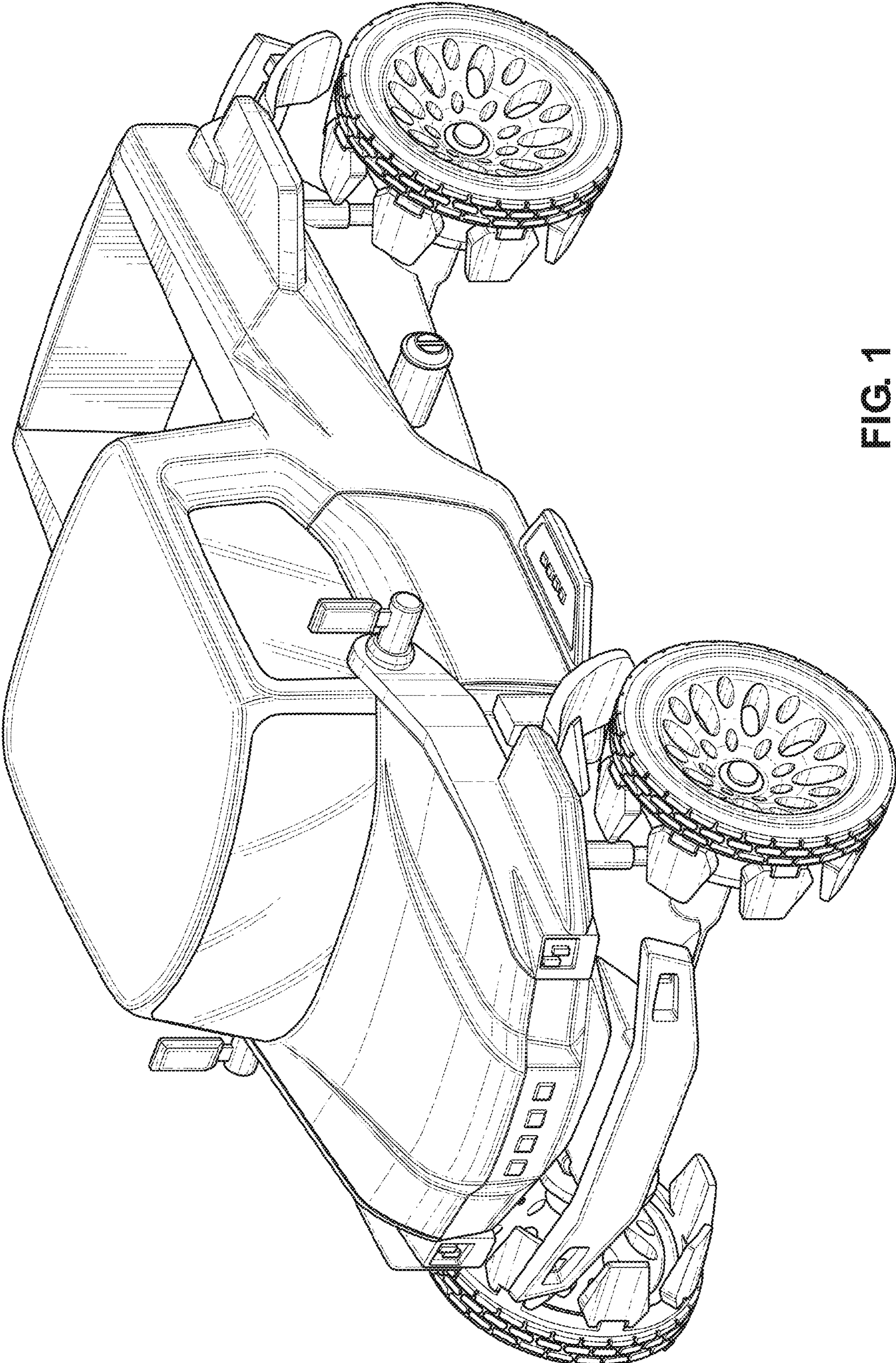


FIG. 1



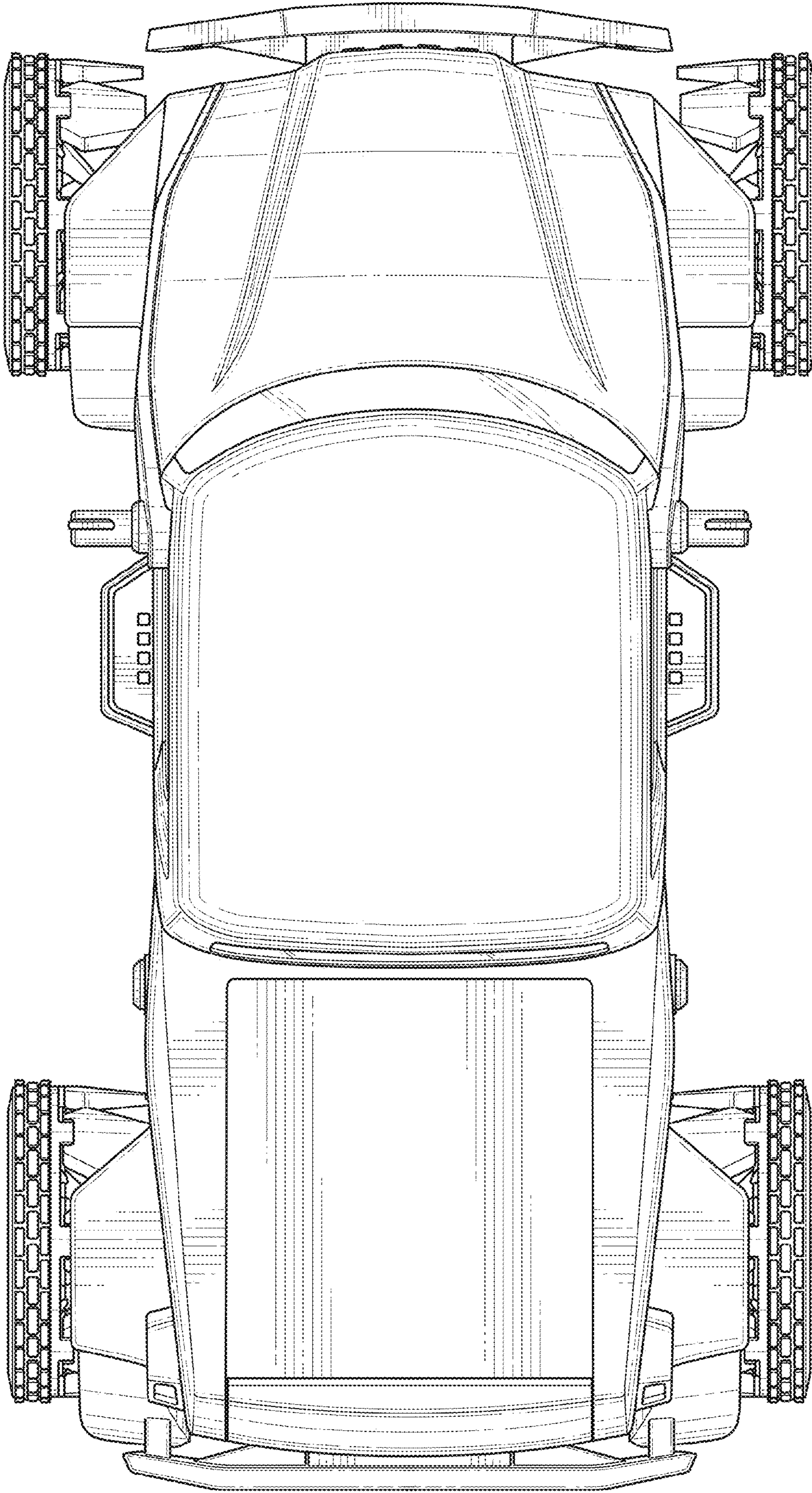


FIG. 2

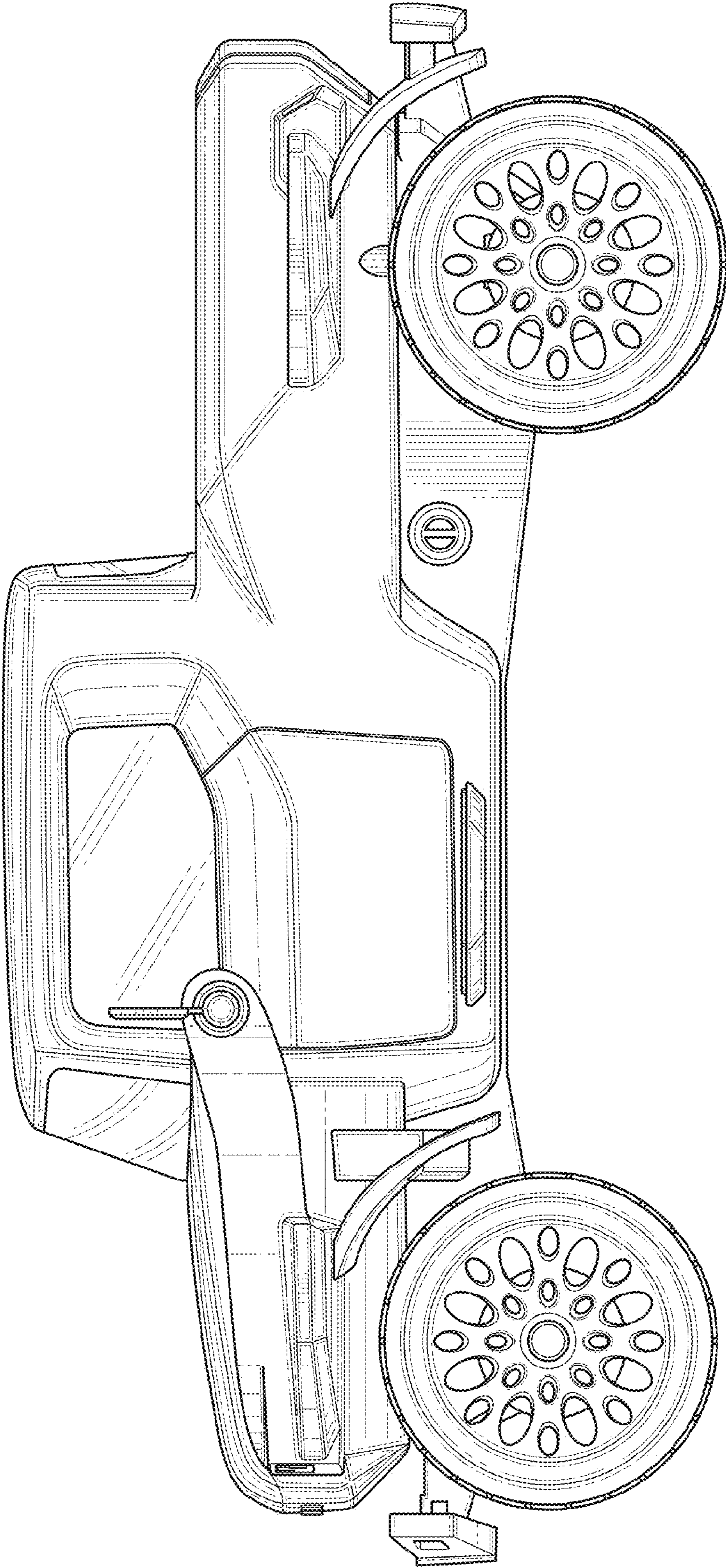


FIG. 3



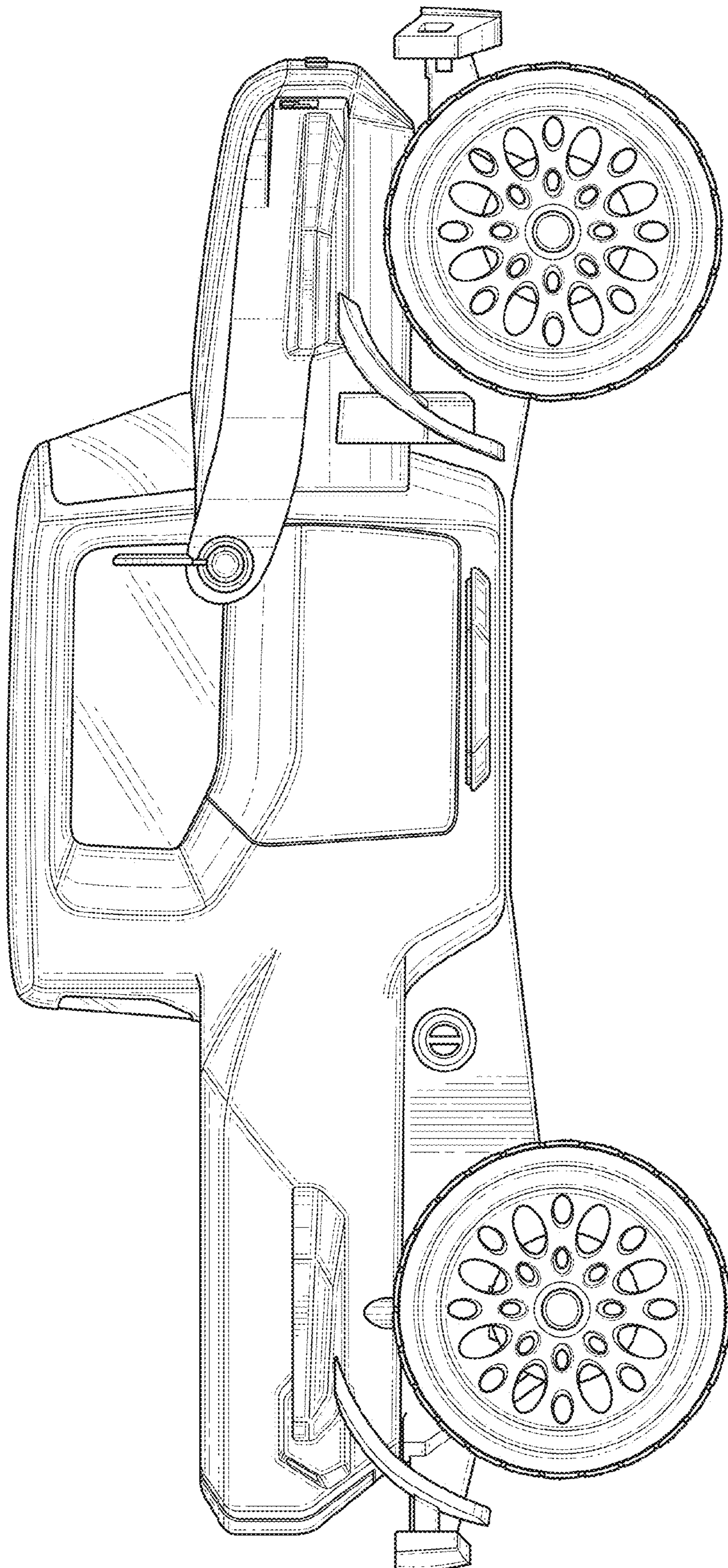


FIG. 4

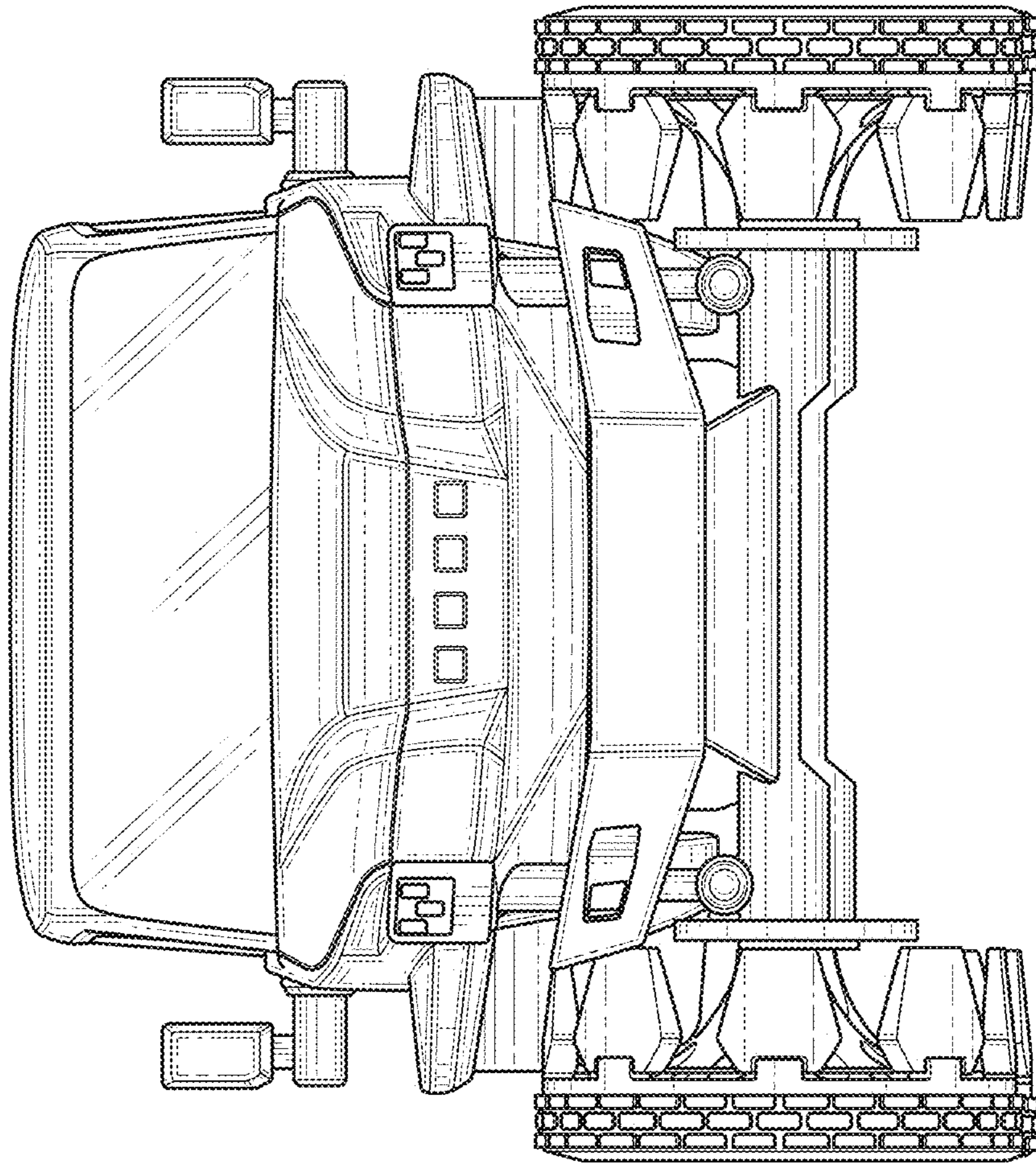


FIG. 5



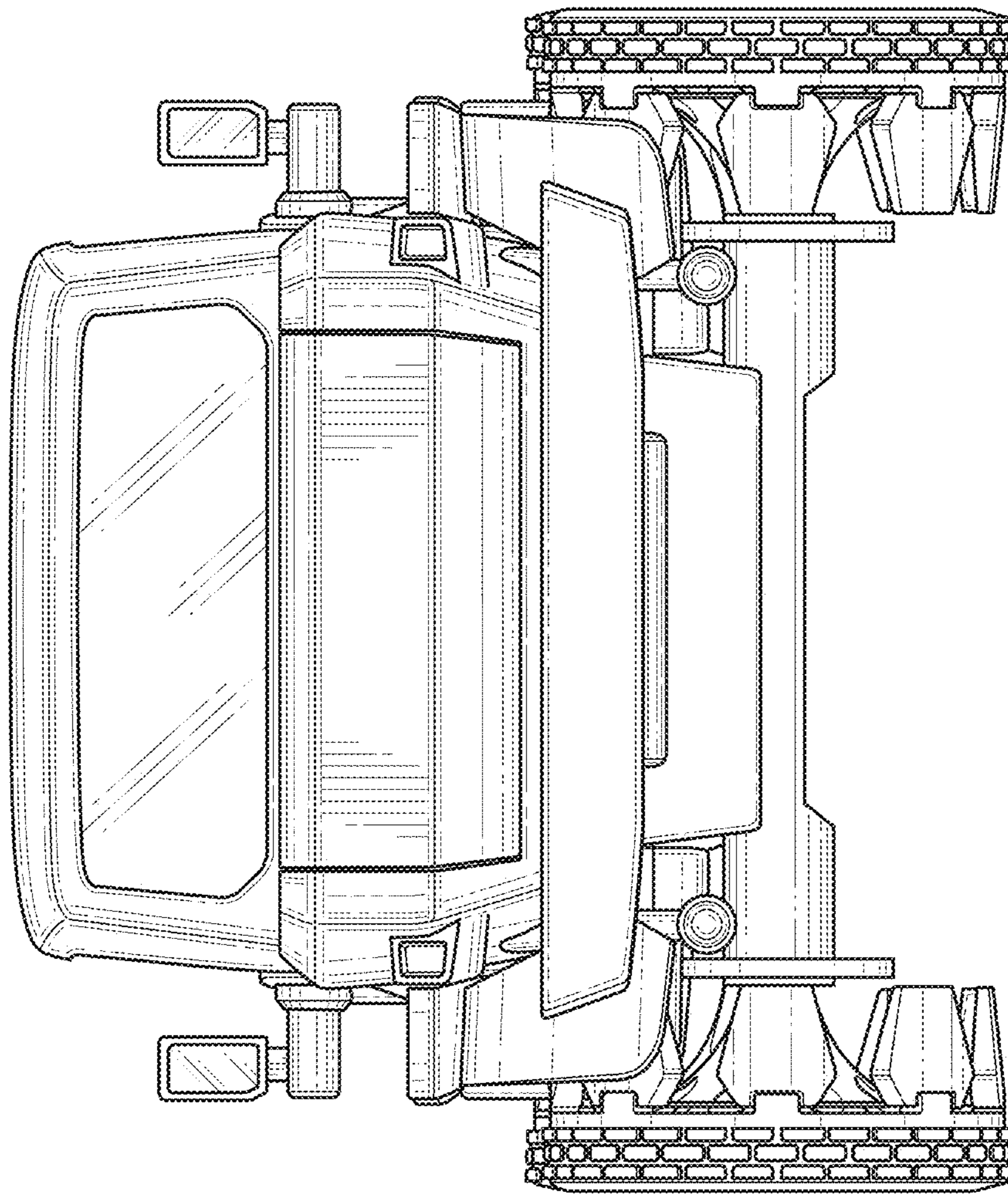


FIG. 6