



US00D946469S

(12) **United States Design Patent**
Taubert et al.

(10) **Patent No.:** **US D946,469 S**
(45) **Date of Patent:** **** Mar. 22, 2022**

(54) **AUTOMOBILE AND/OR TOY REPLICA THEREOF**

(71) Applicant: **Nissan Motor Co., Ltd.**, Kanagawa (JP)

(72) Inventors: **Lars Taubert**, San Diego, CA (US); **Takeo Horie**, Tokyo (JP); **Shinya Momokawa**, Kanagawa (JP)

(73) Assignee: **Nissan Motor Co., Ltd.**, Yokohama (JP)

(**) Term: **15 Years**

(21) Appl. No.: **29/727,627**

(22) Filed: **Mar. 12, 2020**

(30) **Foreign Application Priority Data**

Sep. 13, 2019 (JP) 2019-020634

(51) **LOC (13) Cl.** **12-08**

(52) **U.S. Cl.**
USPC **D12/91**

(58) **Field of Classification Search**
USPC D12/86, 90-92, 164; D21/433, 434, D21/531-535; 296/181.1-181.5, 183.1
CPC B62D 25/00; B62D 25/06; B62D 33/00; B62D 35/00
See application file for complete search history.

(56) **References Cited**

U.S. PATENT DOCUMENTS

D565,468 S *	4/2008	Abe	D12/92
D646,205 S *	10/2011	Bittner	D12/92
D668,182 S *	10/2012	Barba Franco	D12/92
D683,269 S *	5/2013	Fuchigami	D12/92
D684,900 S *	6/2013	Doyle	D12/92
D686,536 S *	7/2013	McCabe	D12/92
D695,645 S *	12/2013	Tase	D12/91

D699,630 S *	2/2014	Abe	D12/92
D710,761 S *	8/2014	Endo	D12/92
D718,662 S *	12/2014	Ishizuka	D12/92
D773,341 S *	12/2016	Liu	D12/92
D799,379 S *	10/2017	Komuro	D12/92
D805,957 S *	12/2017	Seo	D12/91
D830,231 S *	10/2018	Munakata	D12/91
D830,905 S *	10/2018	Nakajima	D12/91
D833,330 S *	11/2018	Sakai	D12/91
D836,489 S *	12/2018	Borkert	D12/91

(Continued)

FOREIGN PATENT DOCUMENTS

JP	D1600507 S	3/2018
JP	D1600525 S	3/2018

(Continued)

Primary Examiner — Melody N Brown

(74) *Attorney, Agent, or Firm* — Global IP Counselors, LLP

(57) **CLAIM**

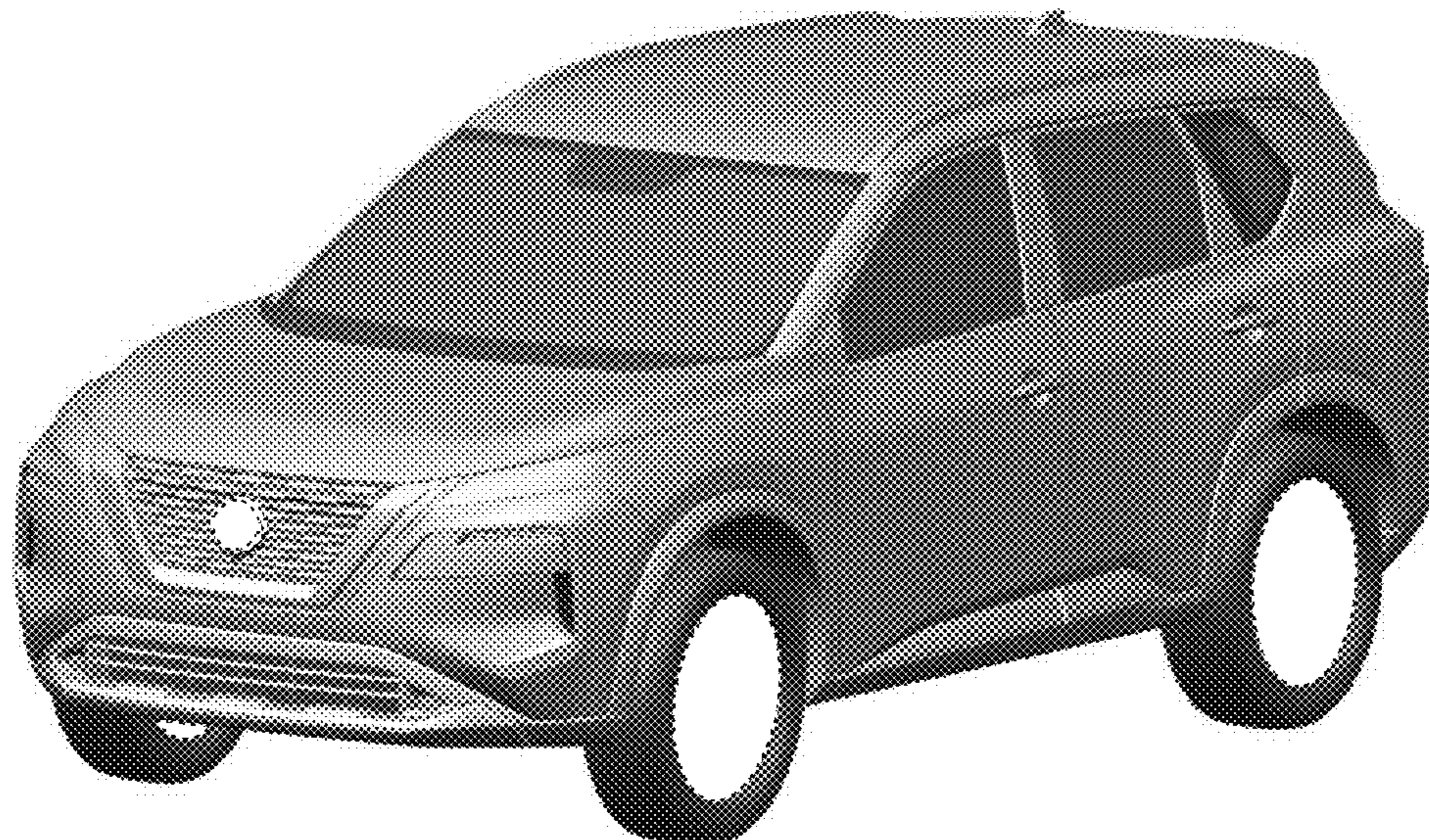
The ornamental design for an automobile and/or toy replica thereof, as shown and described.

DESCRIPTION

FIG. 1 is a front elevational view of an automobile and/or toy replica thereof showing our new design; FIG. 2 is a rear elevational view thereof; FIG. 3 is a top plan view thereof; FIG. 4 is a left side elevational view thereof; FIG. 5 is a right side elevational view thereof; FIG. 6 is a left, front perspective view thereof; and, FIG. 7 is a right, rear perspective view thereof.

The hidden surfaces from the bottom, obscured by a rear bumper, the wheels, and inside the wheel wells, but visible in the figures form no part of the claimed design. The broken line showing on the automobile and/or toy replica thereof is for the purpose of illustrating environmental structure and forms no part of the claimed design.

1 Claim, 7 Drawing Sheets



(56)

References Cited

U.S. PATENT DOCUMENTS

D838,627 S * 1/2019 Ino D12/91
 D871,970 S * 1/2020 Kusunoki D12/92
 D896,128 S * 9/2020 Utsunomiya D12/91
 D913,855 S * 3/2021 Wakabayashi D12/92

FOREIGN PATENT DOCUMENTS

JP D1606895 S 6/2018
 JP D1607374 S 6/2018
 JP D1620896 S 12/2018
 JP D1621143 S 12/2018
 JP D1621148 S 12/2018
 JP D1606846 S 1/2019
 JP D1627548 S 3/2019
 JP D1627783 S 3/2019
 JP D1611437 S 4/2019
 JP D1633877 S 6/2019

JP D1634000 S 6/2019
 JP D1640915 S 9/2019
 JP D1641095 S 9/2019
 JP D1647999 S 12/2019
 JP D1648001 S 12/2019
 JP D1648003 S 12/2019
 JP D1648220 S 12/2019
 JP D1648304 S 12/2019
 JP D1640543 S 2/2020
 JP D1640551 S 2/2020
 JP D1642160 S 2/2020
 JP D1655116 S 3/2020
 JP D1655134 S 3/2020
 JP D1657970 S 4/2020
 JP D1635906 S 5/2020
 JP D1665211 S 8/2020
 JP D1667852 S 9/2020
 JP D1655753 S 10/2020
 JP D1635220 S 12/2020
 JP D1640552 S 8/2021

* cited by examiner

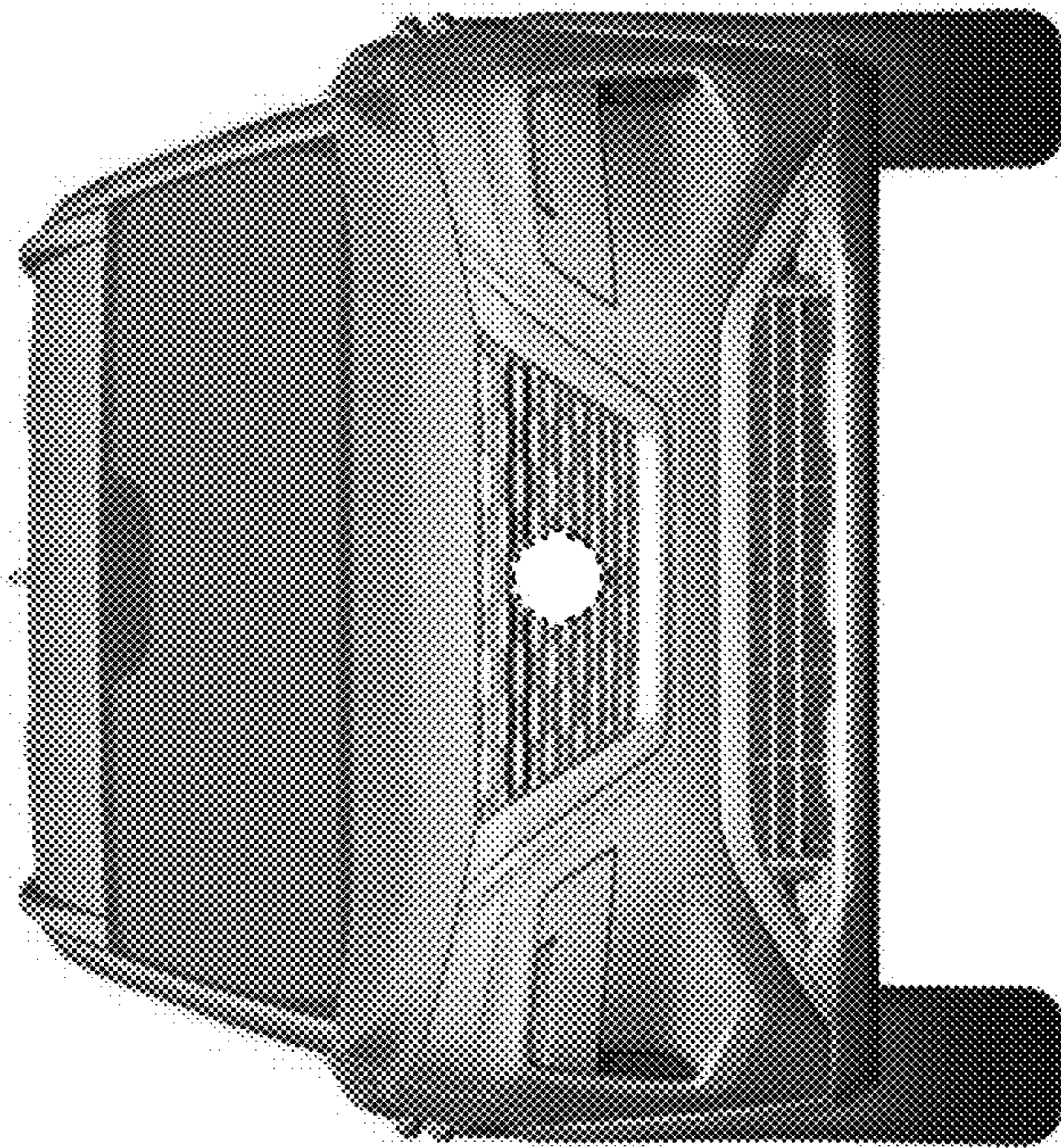


FIG. 1



FIG. 2

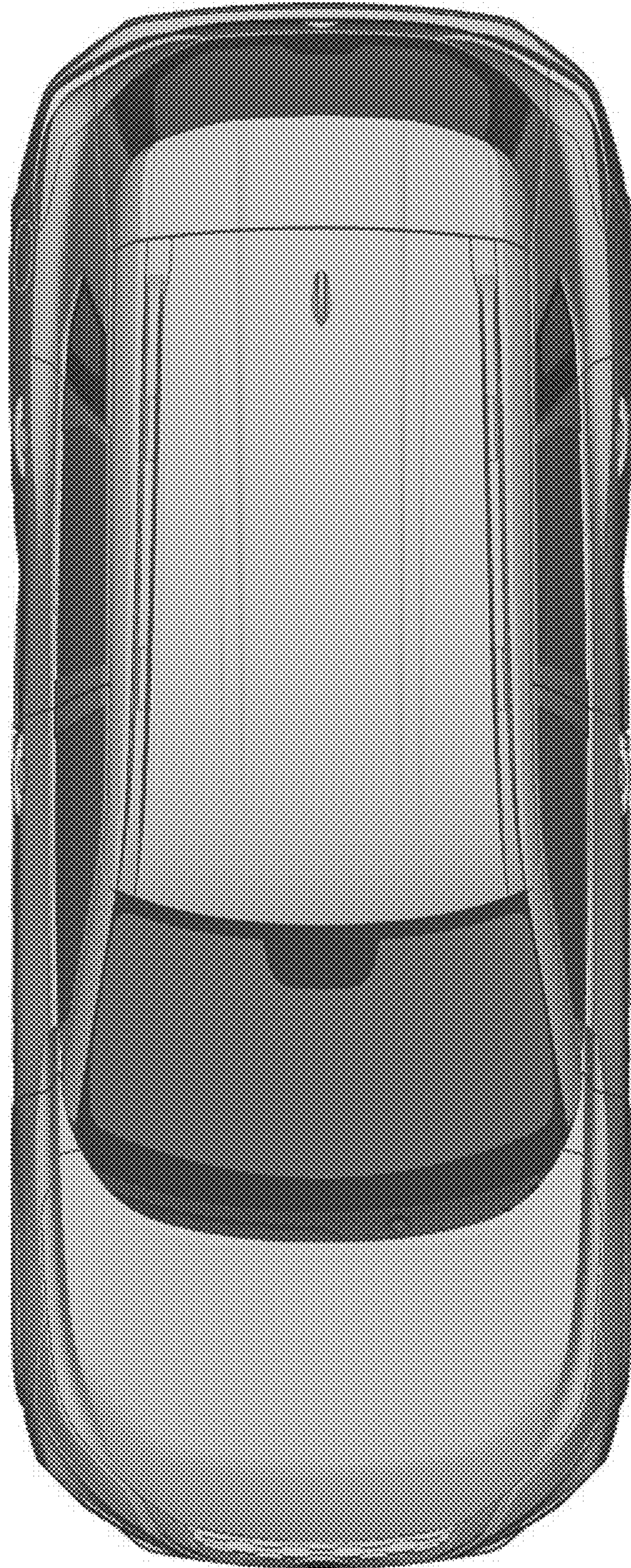


FIG. 3

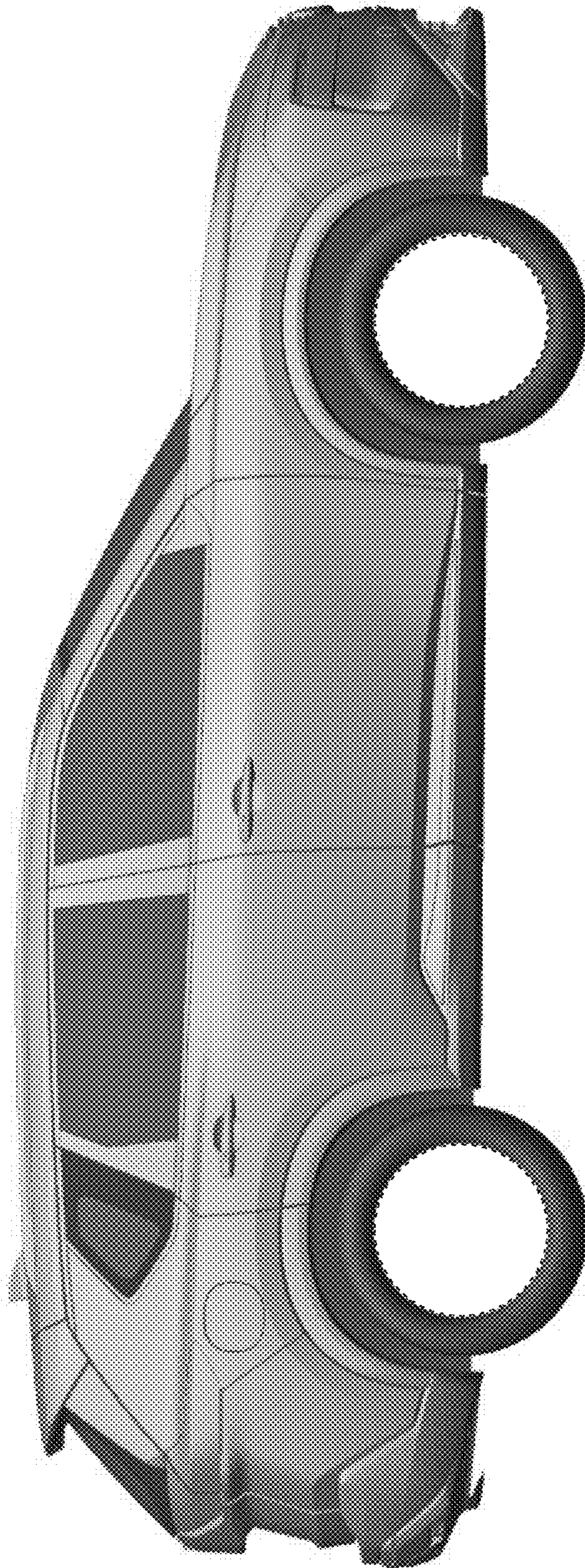


FIG. 4

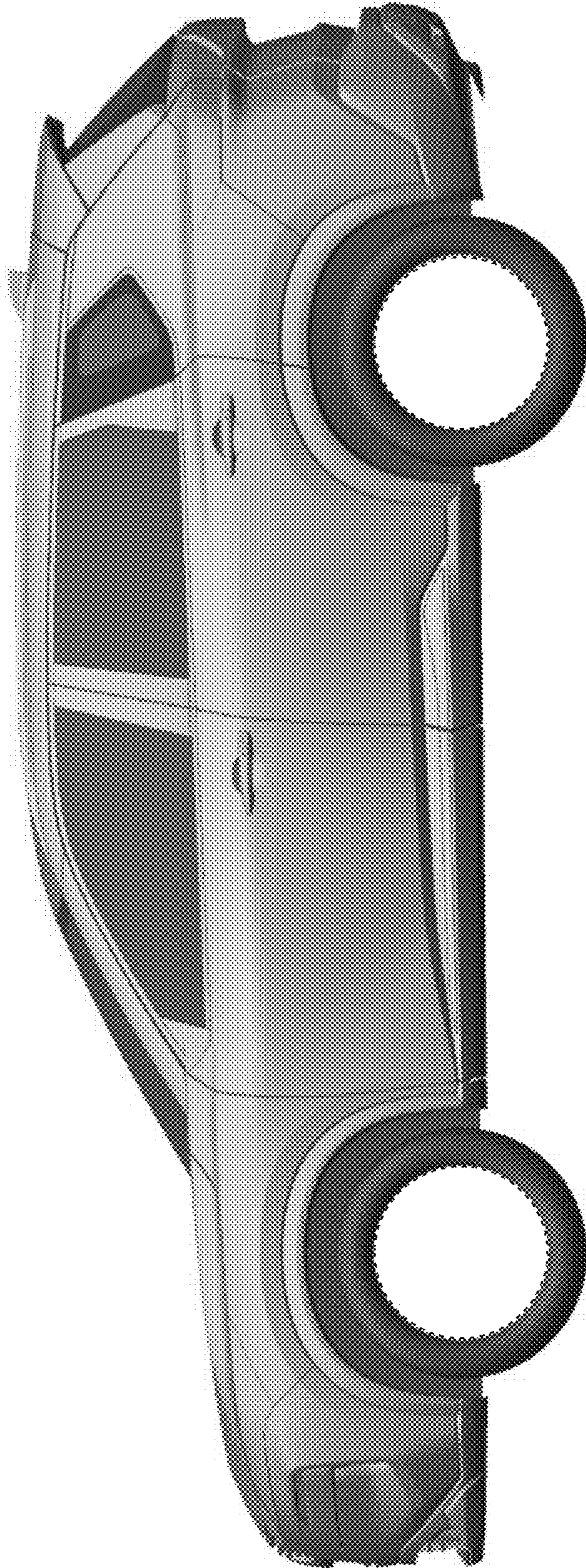


FIG. 5



FIG. 6

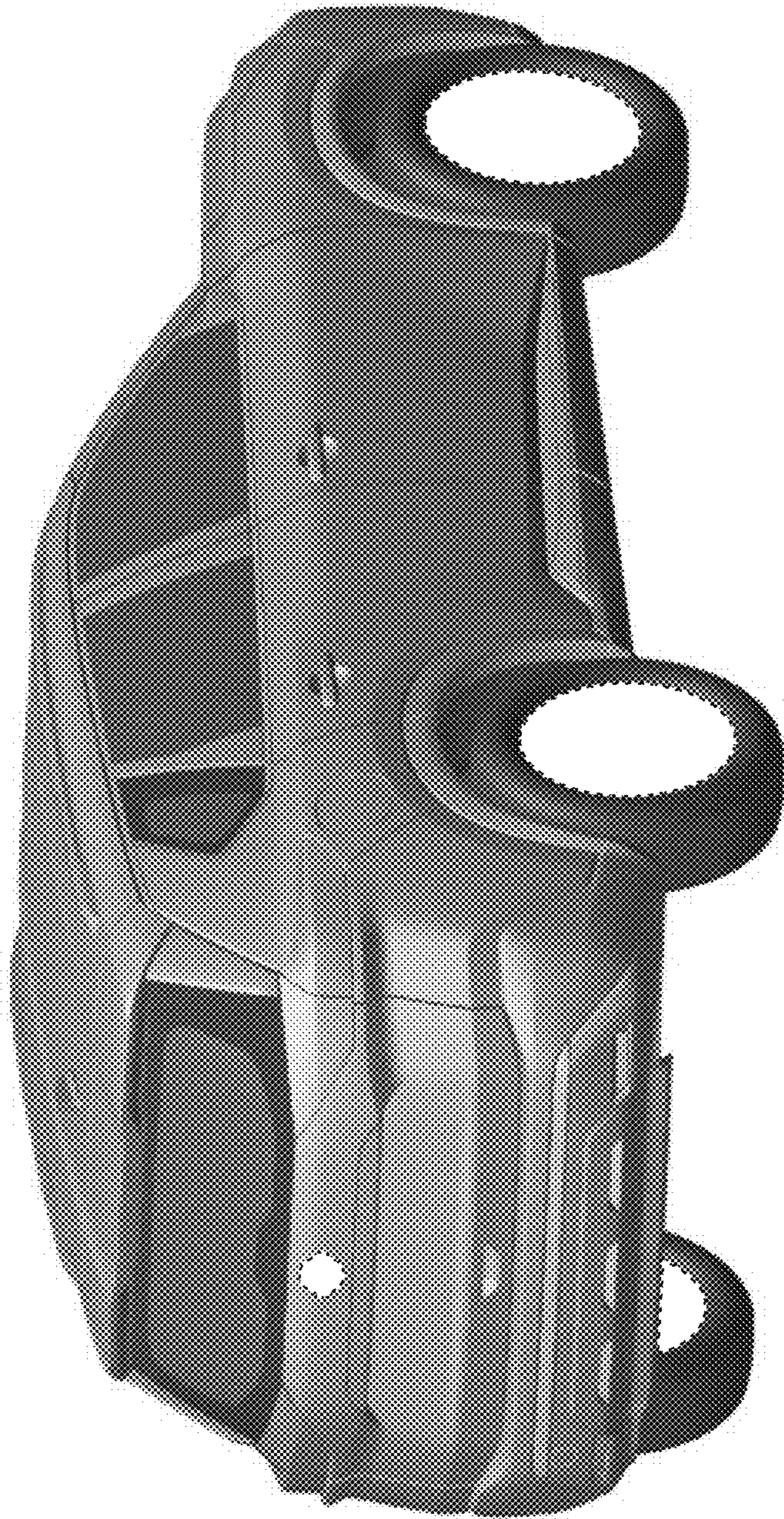


FIG. 7