



US00D946468S

(12) **United States Design Patent**
Wu

(10) **Patent No.:** **US D946,468 S**
(45) **Date of Patent:** **** Mar. 22, 2022**

- (54) **AUTOMOBILE UPPER BODYWORK**
- (71) Applicant: **Tianjin ICONIQ New Energy Vehicle Co., Ltd.**, Tianjin (CN)
- (72) Inventor: **Nan Wu**, Tianjin (CN)
- (73) Assignee: **TIANJIN ICONIQ NEW ENERGY VEHICLE CO., LTD.**, Tianjin (CN)

- D587,629 S * 3/2009 Crijns D12/88
- D593,912 S * 6/2009 Longpre D12/169
- D621,750 S * 8/2010 Majdandzic D12/92
- D625,664 S * 10/2010 Giugiaro D12/92
- D626,033 S * 10/2010 Browne D12/86
- D629,724 S * 12/2010 Guay D12/164
- D631,796 S * 2/2011 Castriota D12/92
- D654,422 S * 2/2012 Saracoglu D12/401
- D684,897 S * 6/2013 Kim D12/92

(Continued)

- (**) Term: **15 Years**
- (21) Appl. No.: **29/712,074**
- (22) Filed: **Nov. 5, 2019**

- (30) **Foreign Application Priority Data**
May 5, 2019 (CN) 201930213230.X
- (51) **LOC (13) Cl.** **12-08**
- (52) **U.S. Cl.**
USPC **D12/86**
- (58) **Field of Classification Search**
USPC ... D12/1, 14, 82, 86, 89, 90, 91, 92, 93, 96,
D12/97, 98, 99, 106, 163, 164, 165, 166,
D12/167, 169, 170, 171, 172, 181, 190,
D12/196, 216, 400, 401, 402, 403, 404,
D12/405, 406, 412, 414, 418; D21/533,
D21/548, 552, 561
CPC B62D 31/00; B62D 31/003; B62D 35/00;
B62D 25/00; B60J 7/0084; B60J 7/022;
B60J 7/02; B60J 7/04; B60J 7/047; B60J
7/061; B60J 7/062; B60J 7/067; B60J
7/08; B60J 7/10; B60J 7/11; B60J 7/12;
B60J 7/16; B60J 7/106; B60J 7/1642;
B60J 11/04; B60J 11/06; B60P 7/00;
B60P 7/06
See application file for complete search history.

- (56) **References Cited**
U.S. PATENT DOCUMENTS
D218,340 S * 8/1970 McLaren D21/548
D565,464 S * 4/2008 Falasca D12/91

OTHER PUBLICATIONS

When Are Self-Driving Cars Actually Coming—Wmotors Blog, Published on Sep. 29, 2019 [online], [retrieved on May 13, 2021]. Retrieved from the Internet: website (Year: 2019).*

(Continued)

Primary Examiner — Cary M Robinson
Assistant Examiner — Adam C Mager
(74) *Attorney, Agent, or Firm* — Kacvinsky Daisak Bluni PLLC

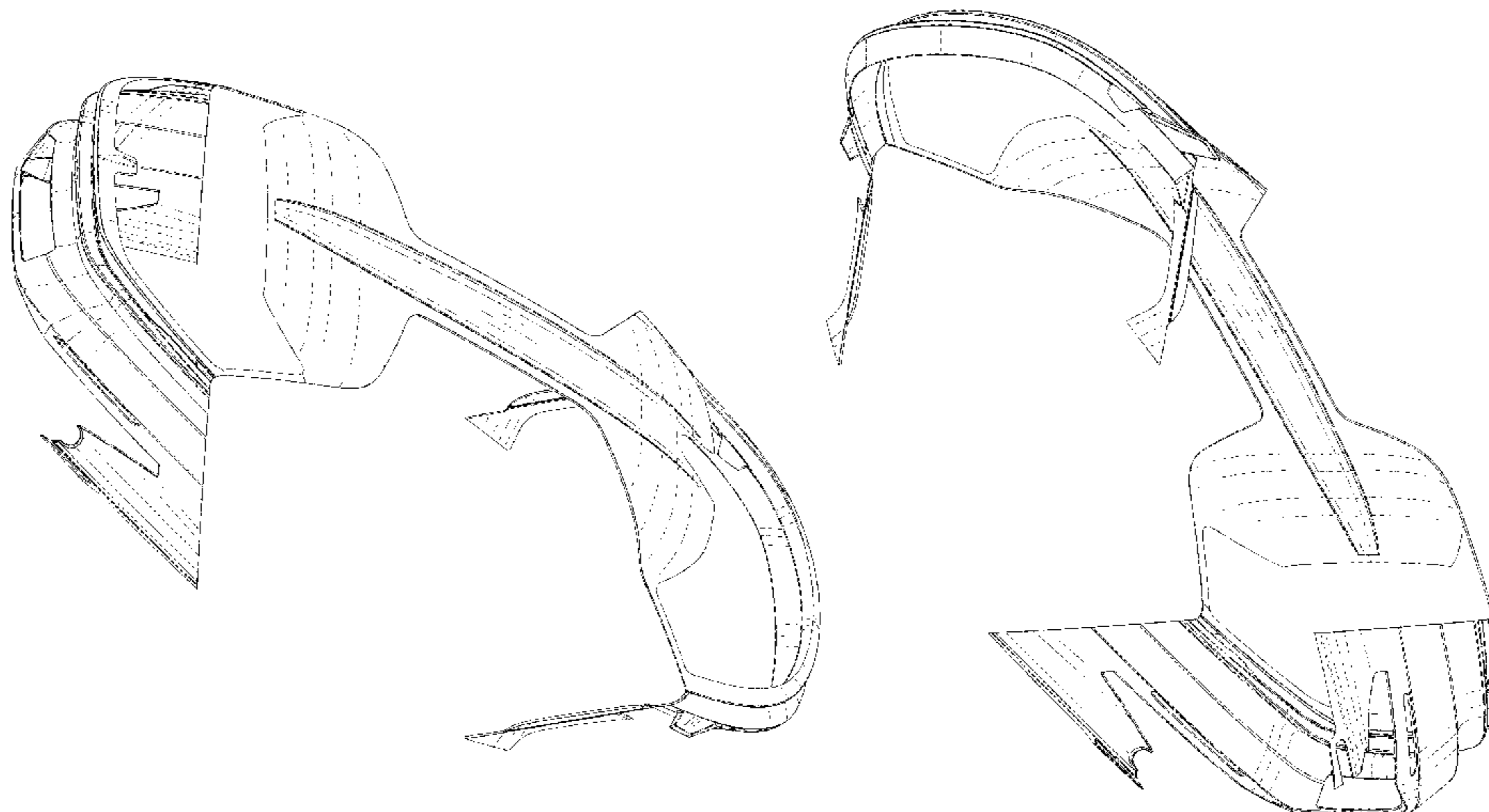
(57) **CLAIM**

The ornamental design for an automobile upper bodywork, as shown and described.

DESCRIPTION

FIG. 1 is a front view of the design for an automobile upper bodywork;
FIG. 2 is a rear view thereof;
FIG. 3 is a left view thereof;
FIG. 4 is a right view thereof;
FIG. 5 is a top view thereof;
FIG. 6 is a bottom view thereof;
FIG. 7 is a perspective view thereof; and,
FIG. 8 is another perspective view thereof.
The broken lines shown in the figures depict portions of the automobile upper bodywork that form no part of the claimed design.

1 Claim, 8 Drawing Sheets



(56)

References Cited

U.S. PATENT DOCUMENTS

D698,283	S	*	1/2014	Palm	D12/92
D710,259	S	*	8/2014	Baccino	D12/92
D780,635	S	*	3/2017	O'Connell	D12/92
D795,138	S	*	8/2017	Panoz	D12/92
D814,353	S	*	4/2018	Kim	D12/91
D826,092	S	*	8/2018	Manzoni	D12/92
D847,079	S	*	4/2019	Nightingale	D12/401
D859,211	S	*	9/2019	Nightingale	D12/86
D880,358	S	*	4/2020	Yi	D12/92
D885,981	S	*	6/2020	Lian	D12/91
D890,026	S	*	7/2020	Nightingale	D12/82
D890,027	S	*	7/2020	Gronenthal	D12/86
D900,007	S	*	10/2020	Zhang	D12/418
2013/0180788	A1	*	7/2013	Jin	B60L 53/14 180/65.1

OTHER PUBLICATIONS

MUSE Autonomous Car Website, Published date unavailable [online], [retrieved on May 13, 2021]. Retrieved from the Internet: <https://wmotors.ae/muse-autonomous-car.html> (Year: 2021).*

* cited by examiner

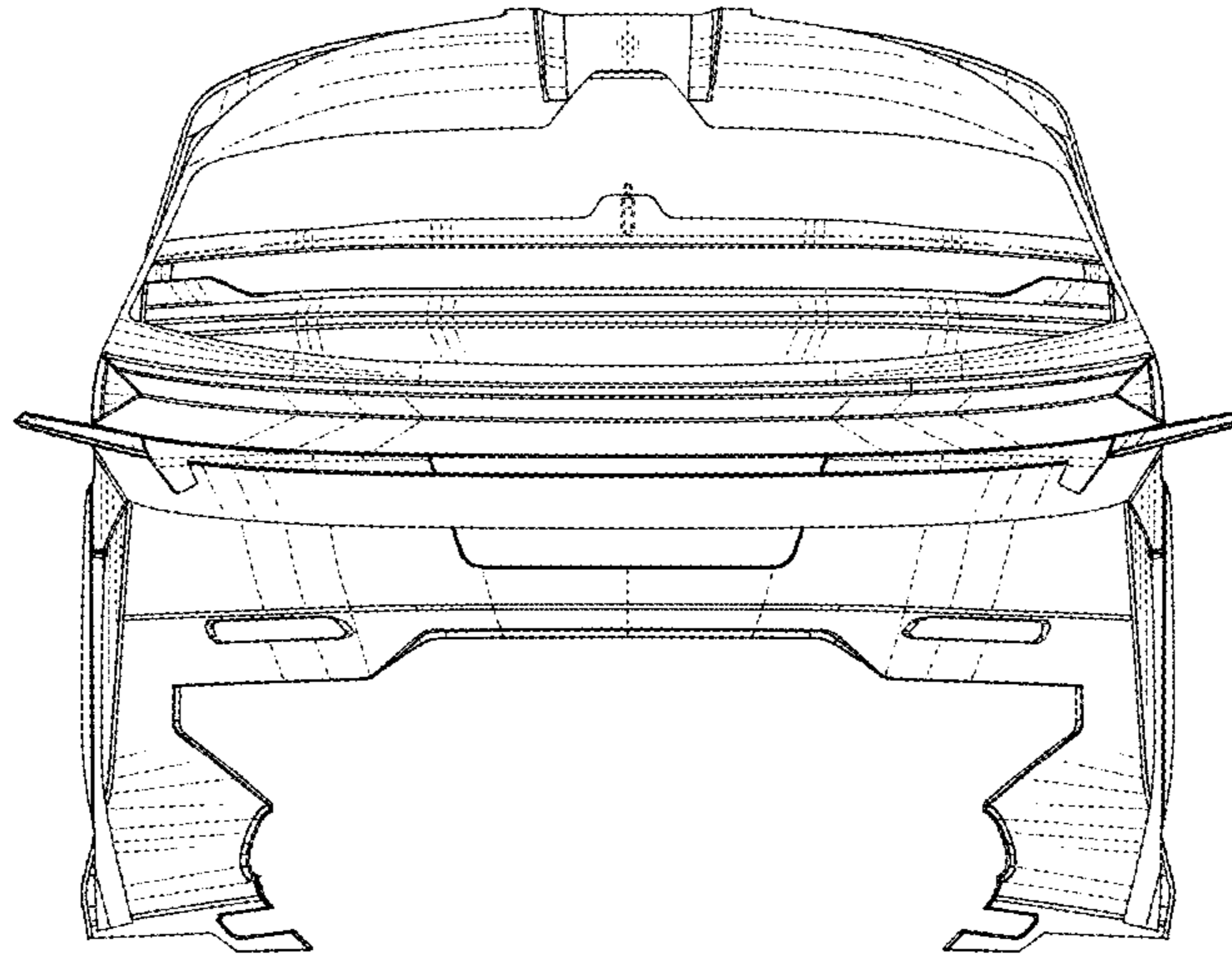


FIG.1

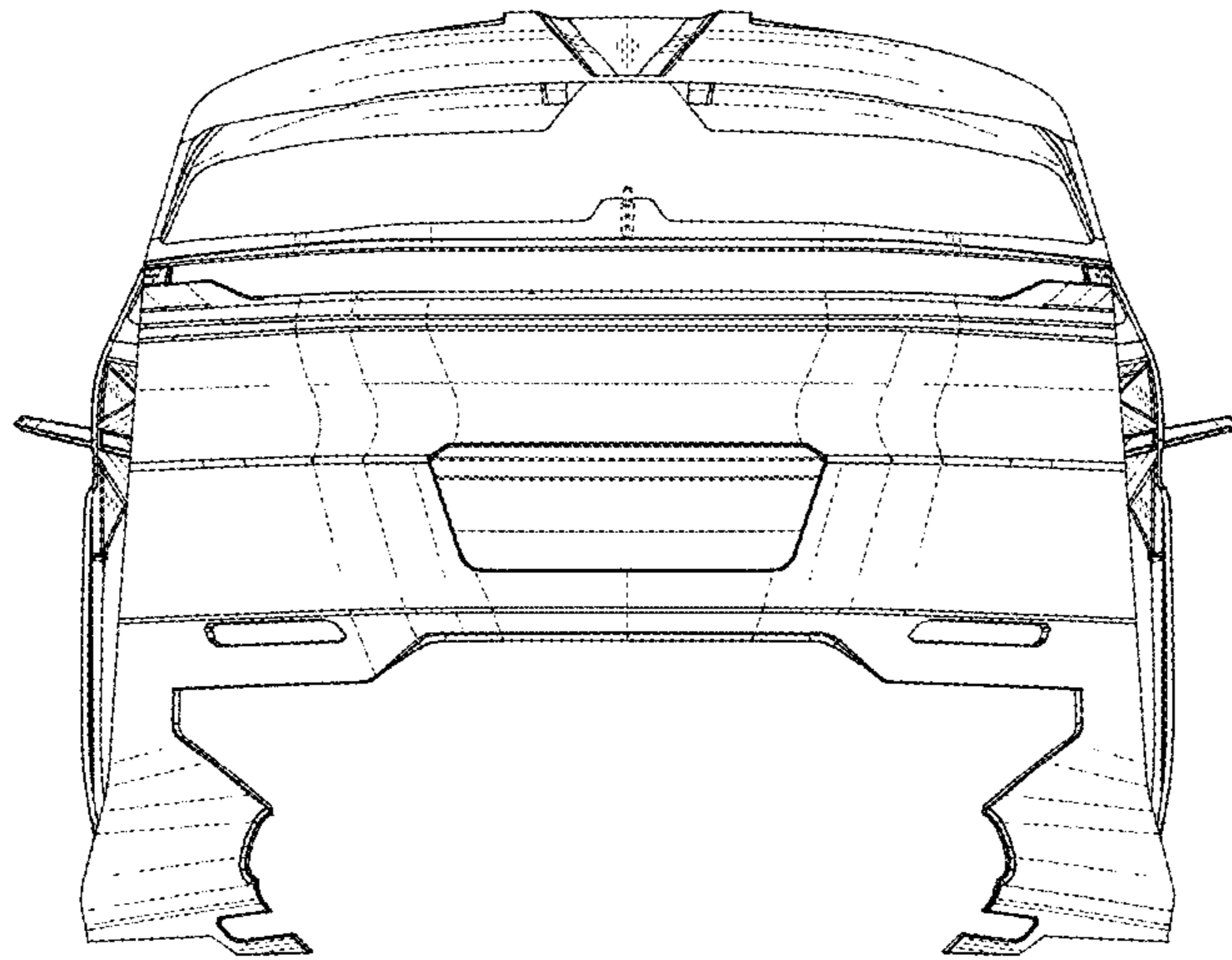


FIG.2

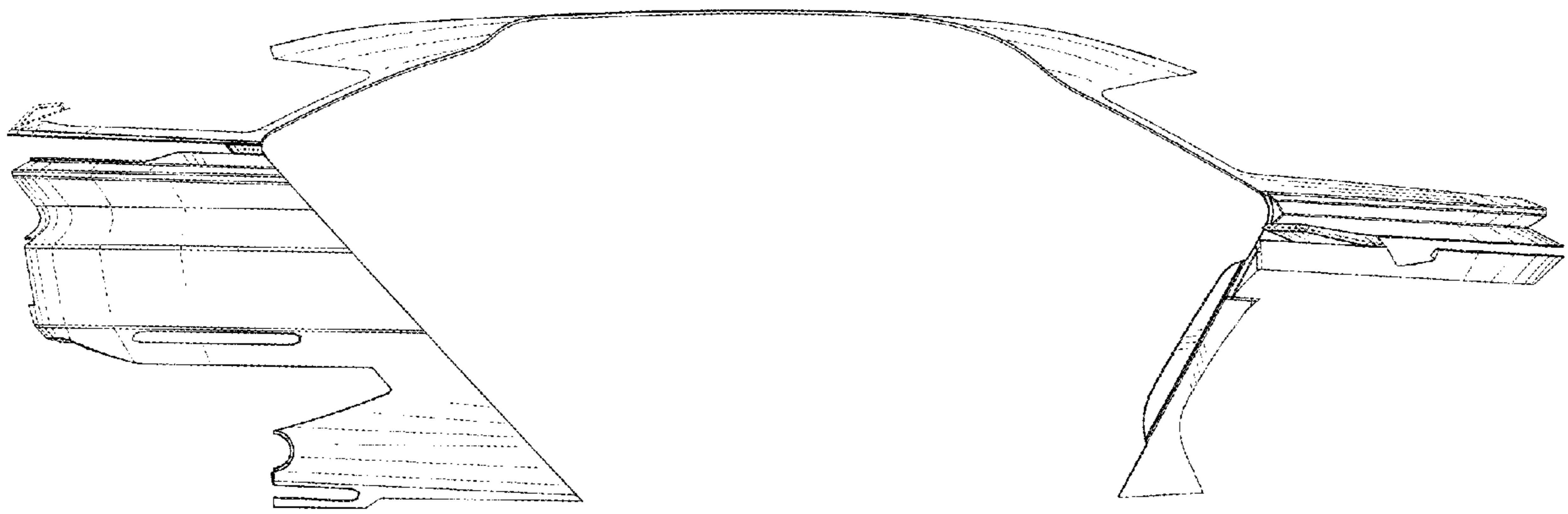


FIG.3

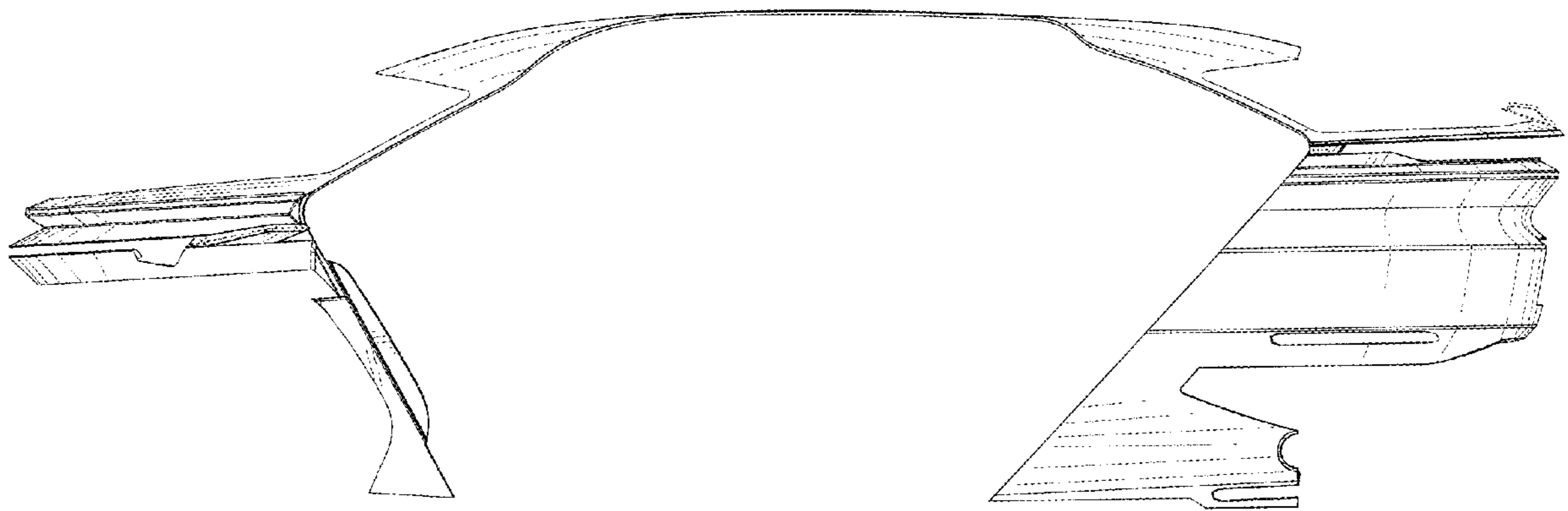


FIG.4

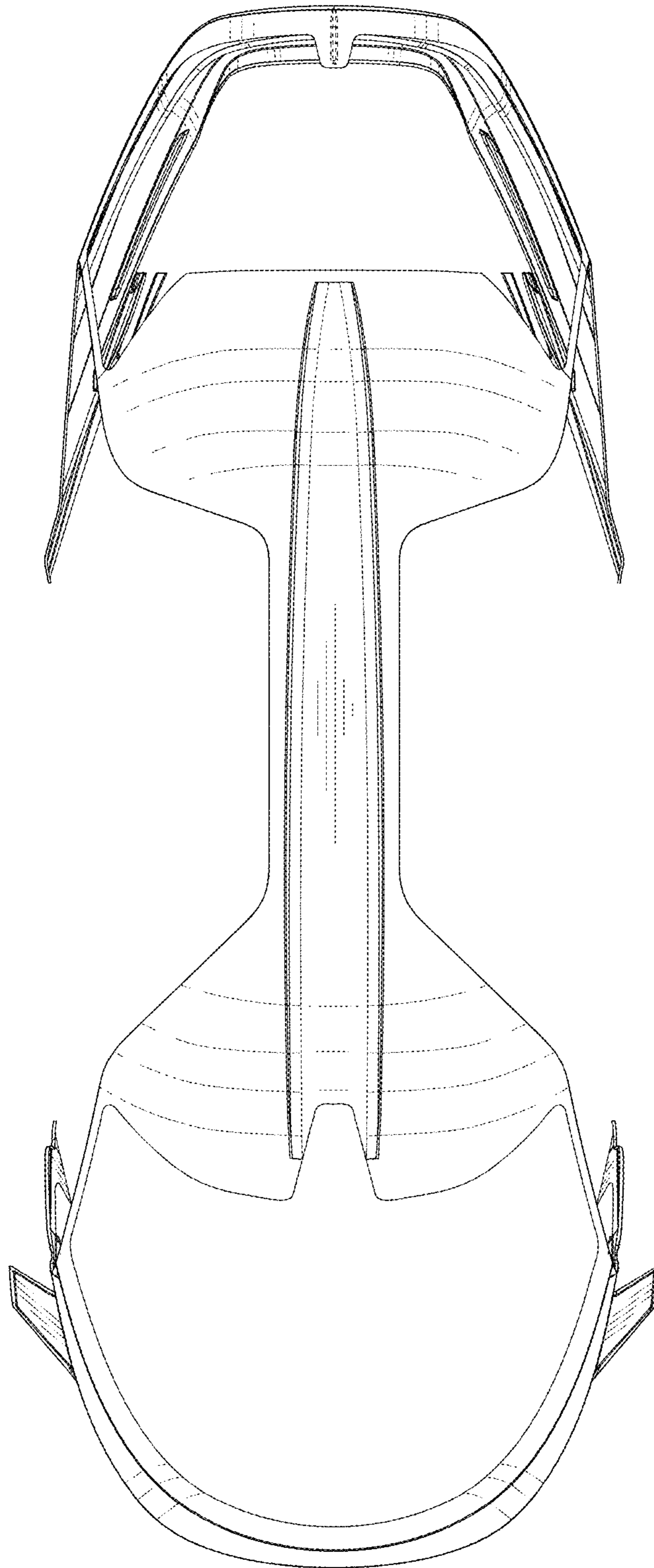


FIG.5

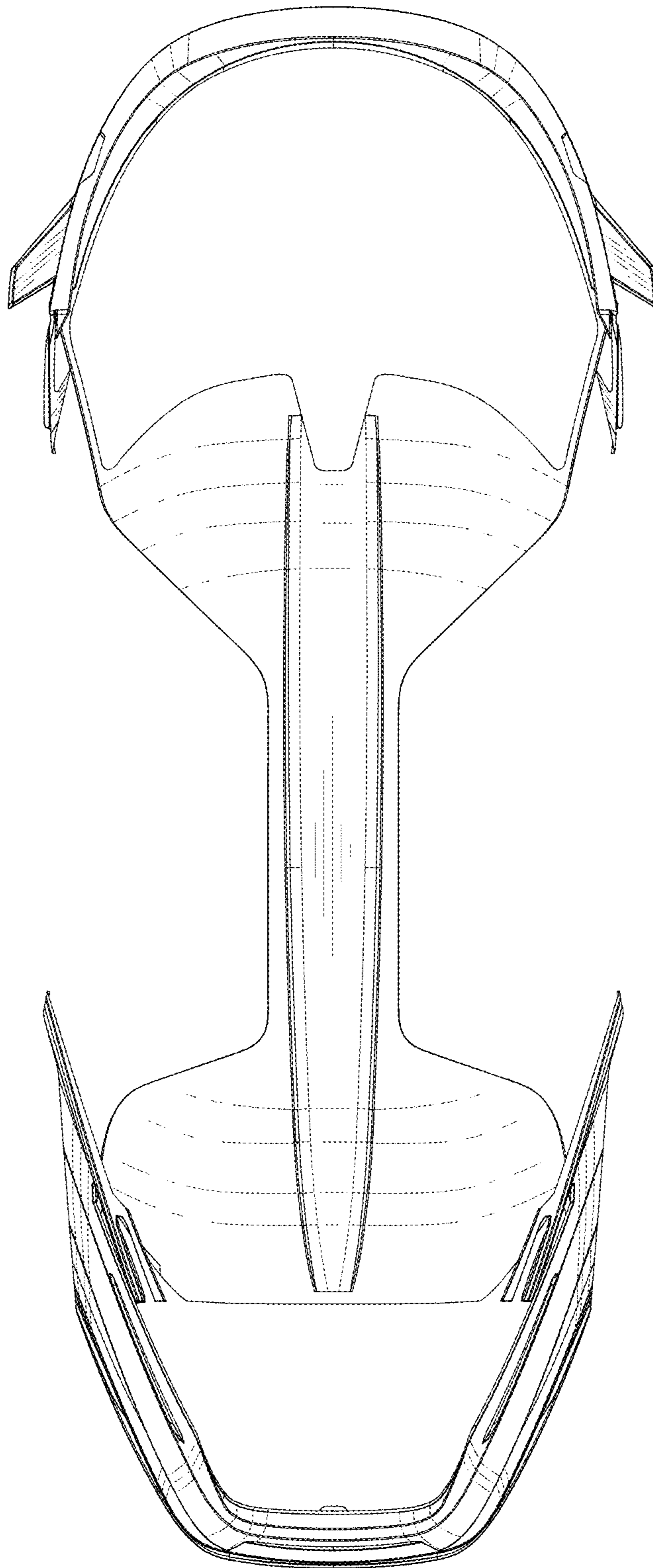


FIG.6

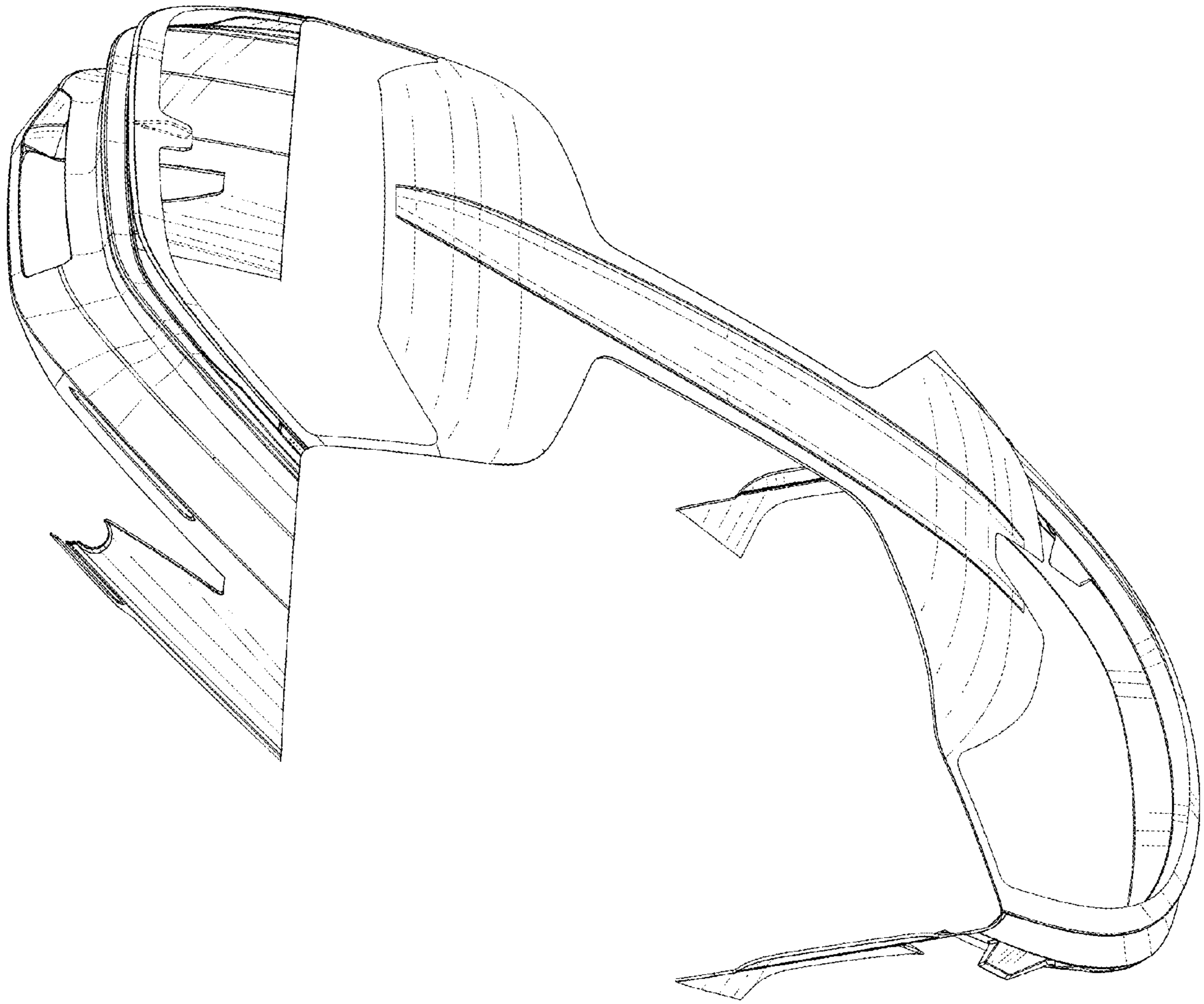


FIG.7

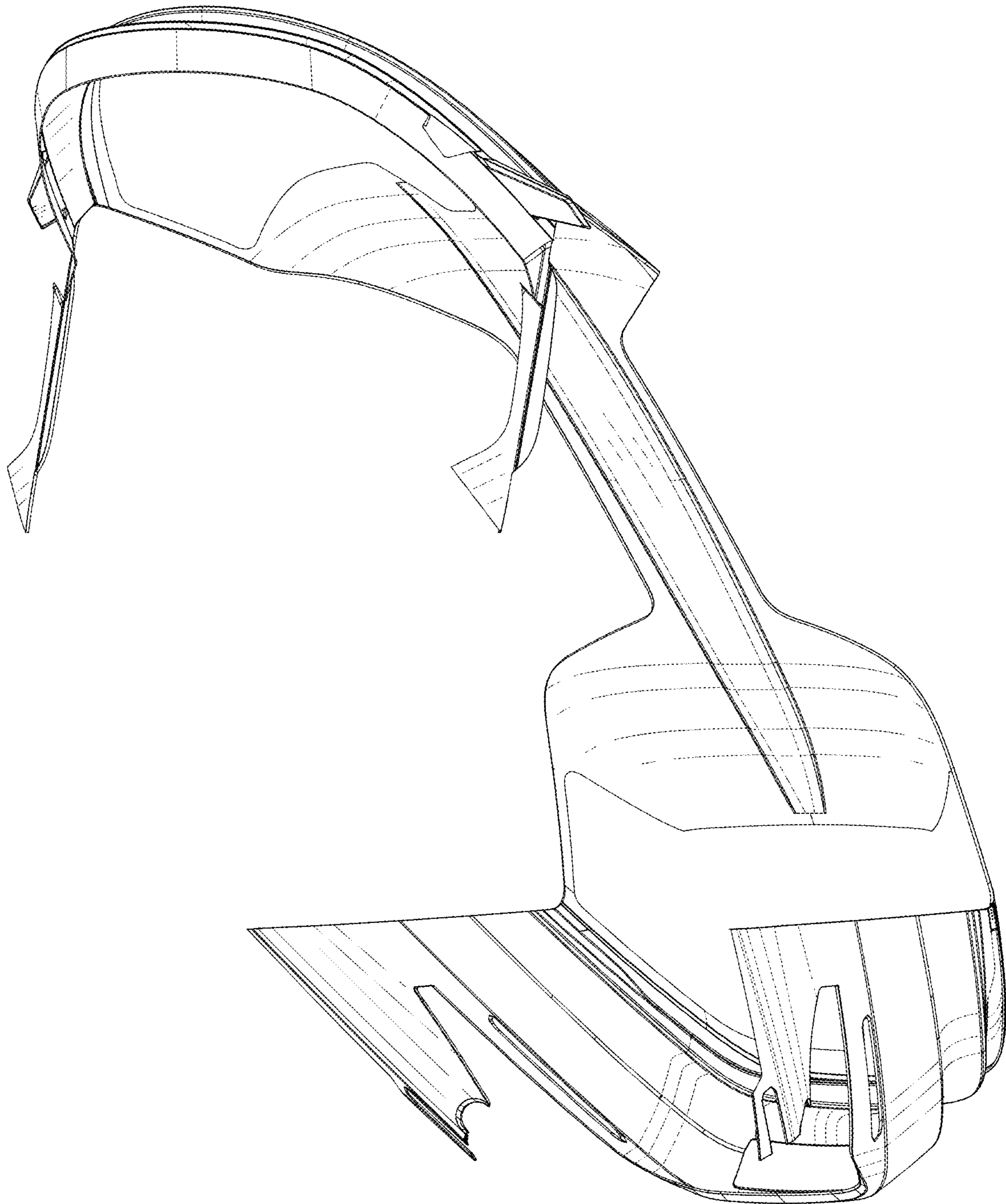


FIG.8