



US00D946466S

(12) **United States Design Patent**
Yaari

(10) **Patent No.:** **US D946,466 S**
(45) **Date of Patent:** **** Mar. 22, 2022**

- (54) **PLANTING KIT**
- (71) Applicant: **Barak Yaari**, Miami, FL (US)
- (72) Inventor: **Barak Yaari**, Miami, FL (US)
- (**) Term: **15 Years**
- (21) Appl. No.: **29/723,886**
- (22) Filed: **Feb. 11, 2020**
- (51) **LOC (13) Cl.** **11-02**
- (52) **U.S. Cl.**
USPC **D11/152; D6/405**
- (58) **Field of Classification Search**
USPC D11/143–156, 164; D6/403–405,
D6/556–558; D26/9, 10
CPC . A01G 9/02; A01G 9/021; A01G 9/04; A01G
27/003; A01G 31/02; A01G 31/06
See application file for complete search history.

- D284,336 S * 6/1986 Berry, Jr. D6/687
- D302,889 S * 8/1989 Goodwin D34/21
- D333,745 S * 3/1993 Ma D6/405
- 5,810,181 A * 9/1998 Emalfarb A47F 5/13
108/94
- D444,359 S * 7/2001 Levy D7/704
- D466,763 S * 12/2002 Wu D19/85
- D489,642 S * 5/2004 Brumlow D11/143
- D526,170 S * 8/2006 Gugni D7/706
- D571,575 S * 6/2008 Hunter D6/405
- D822,926 S * 7/2018 Ishibashi D32/40
- D845,661 S * 4/2019 McGehee D6/405

(Continued)

Primary Examiner — Elizabeth A. Albert

(57) **CLAIM**

The ornamental design for a planting kit, as shown and described.

DESCRIPTION

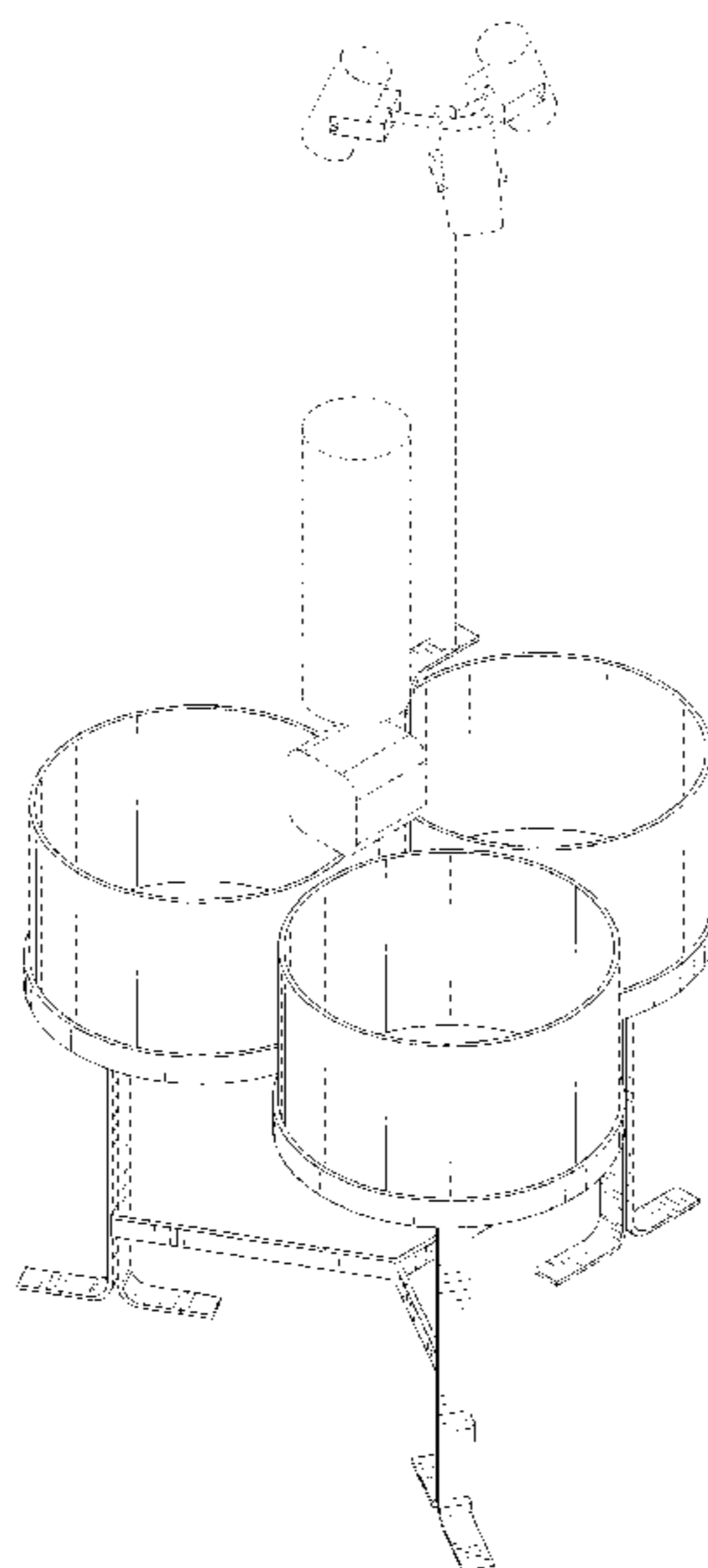
FIG. 1 is a top perspective view of a planting kit showing my new design;
 FIG. 2 is a bottom perspective view thereof;
 FIG. 3 is a front elevated view thereof;
 FIG. 4 is a rear elevated view thereof;
 FIG. 5 is a top plan view thereof;
 FIG. 6 is a bottom plan view thereof;
 FIG. 7 is a right elevated view thereof;
 FIG. 8 is a left elevated view thereof;
 FIG. 9 is a reduced top exploded perspective view thereof;
 and,
 FIG. 10 is a reduced bottom exploded perspective view thereof.
 The broken lines showing of connection blocks in FIG. 1-10, the broken lines showing of a light system in FIG. 1-10, and the broken lines showing of an irrigation system in FIG. 1-10 are included for the purpose of illustrating environmental structure and form no part of the claimed design.

1 Claim, 10 Drawing Sheets

(56) **References Cited**

U.S. PATENT DOCUMENTS

- 214,061 A * 4/1879 Sterans A47G 7/047
47/67
- 554,661 A * 2/1896 Doolittle A47G 7/041
108/105
- D45,762 S * 5/1914 Moberg D6/681.3
- D78,584 S * 5/1929 Niemczyk et al. D6/677.3
- D167,555 S * 8/1952 Bisharat D6/405
- 3,194,403 A * 7/1965 Horn, Jr. A47F 5/04
211/78
- 3,498,471 A * 3/1970 Dirx B65D 21/0209
211/131.1
- D219,995 S * 2/1971 Yates D11/146
- D227,627 S * 7/1973 Stephenson D7/610
- D228,589 S * 10/1973 Moretini D6/677.3
- 3,782,296 A * 1/1974 Moretini A47B 87/0253
108/101
- D253,980 S * 1/1980 Schriever D6/677.3
- 4,355,485 A * 10/1982 Frank A01G 9/023
47/82



(56)

References Cited

U.S. PATENT DOCUMENTS

D898,406 S * 10/2020 Lawson D6/405
D904,927 S * 12/2020 Yaari D11/155

* cited by examiner

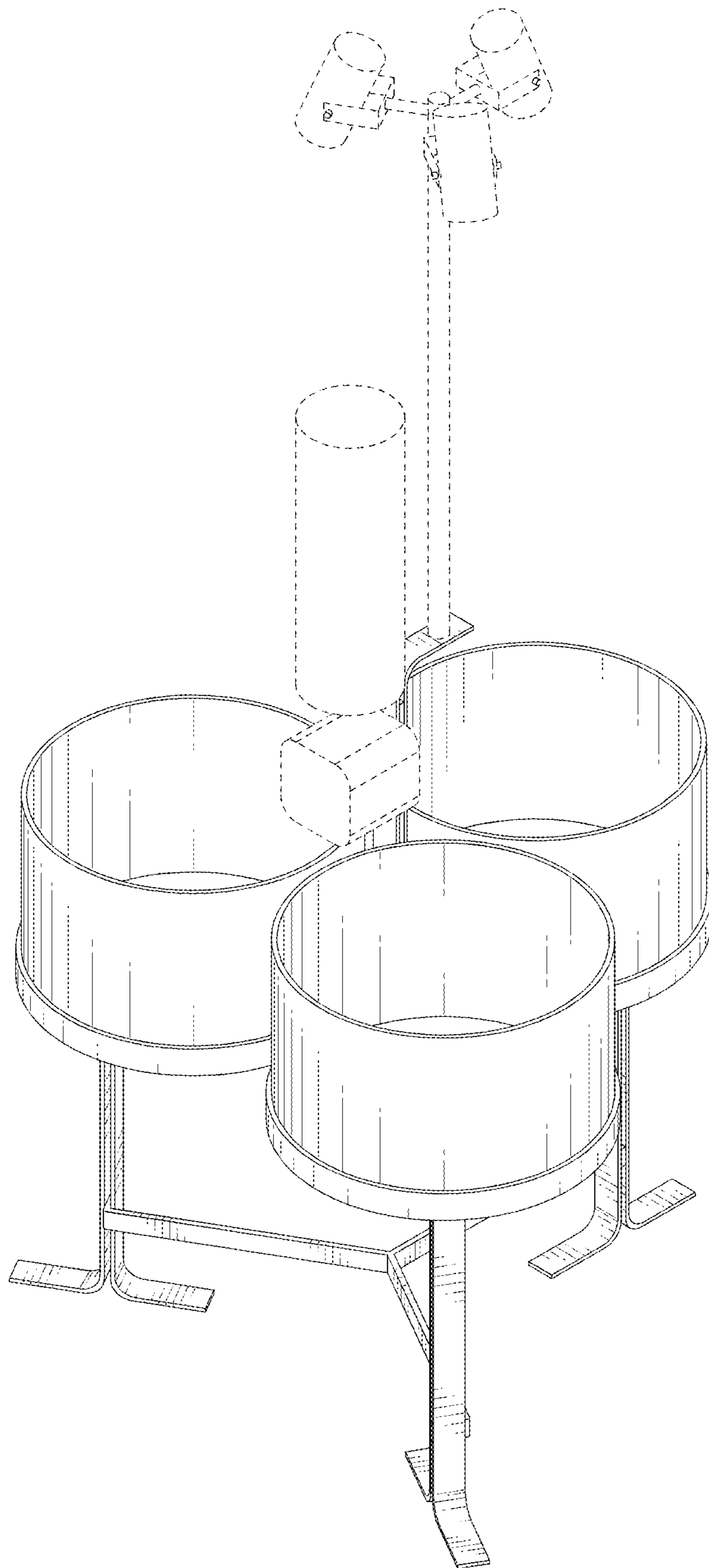


FIG. 1

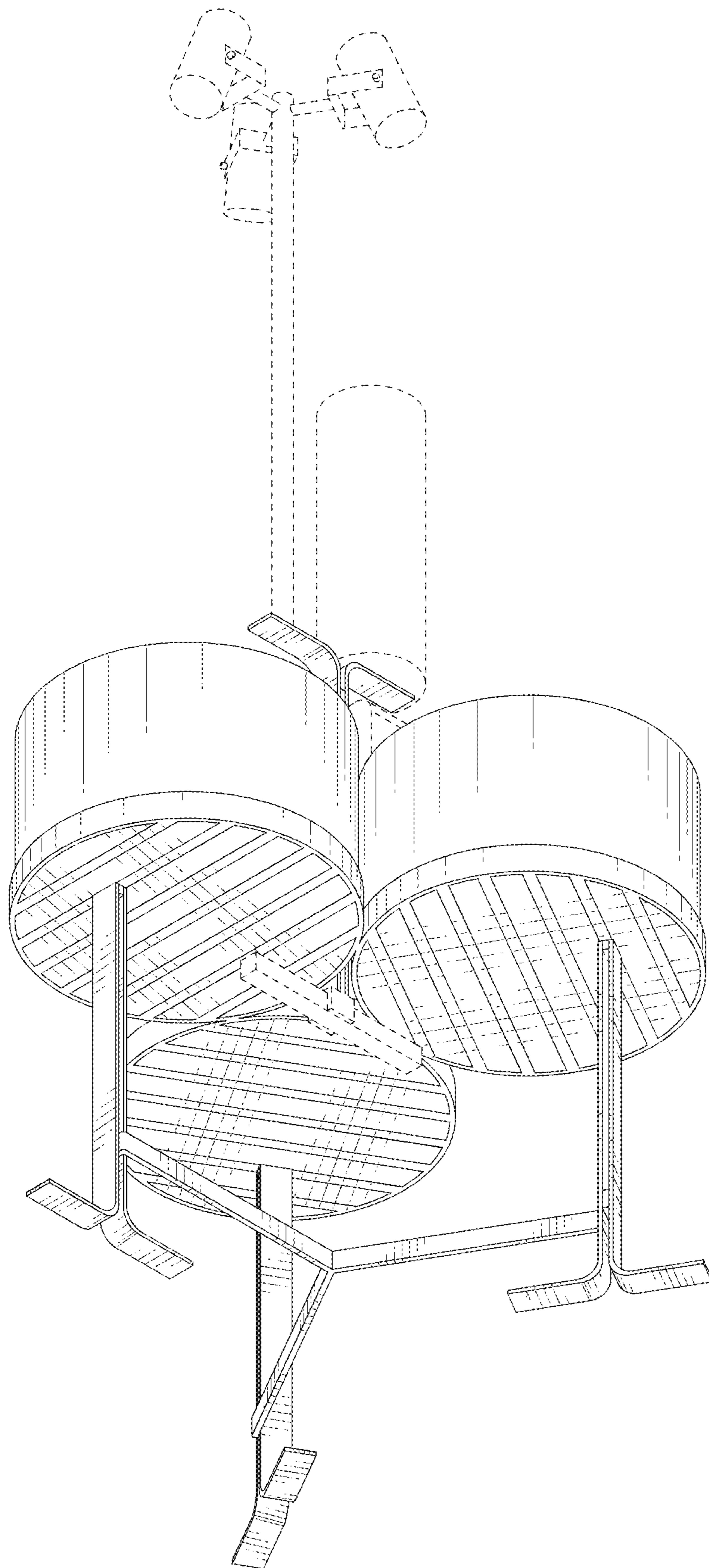


FIG. 2

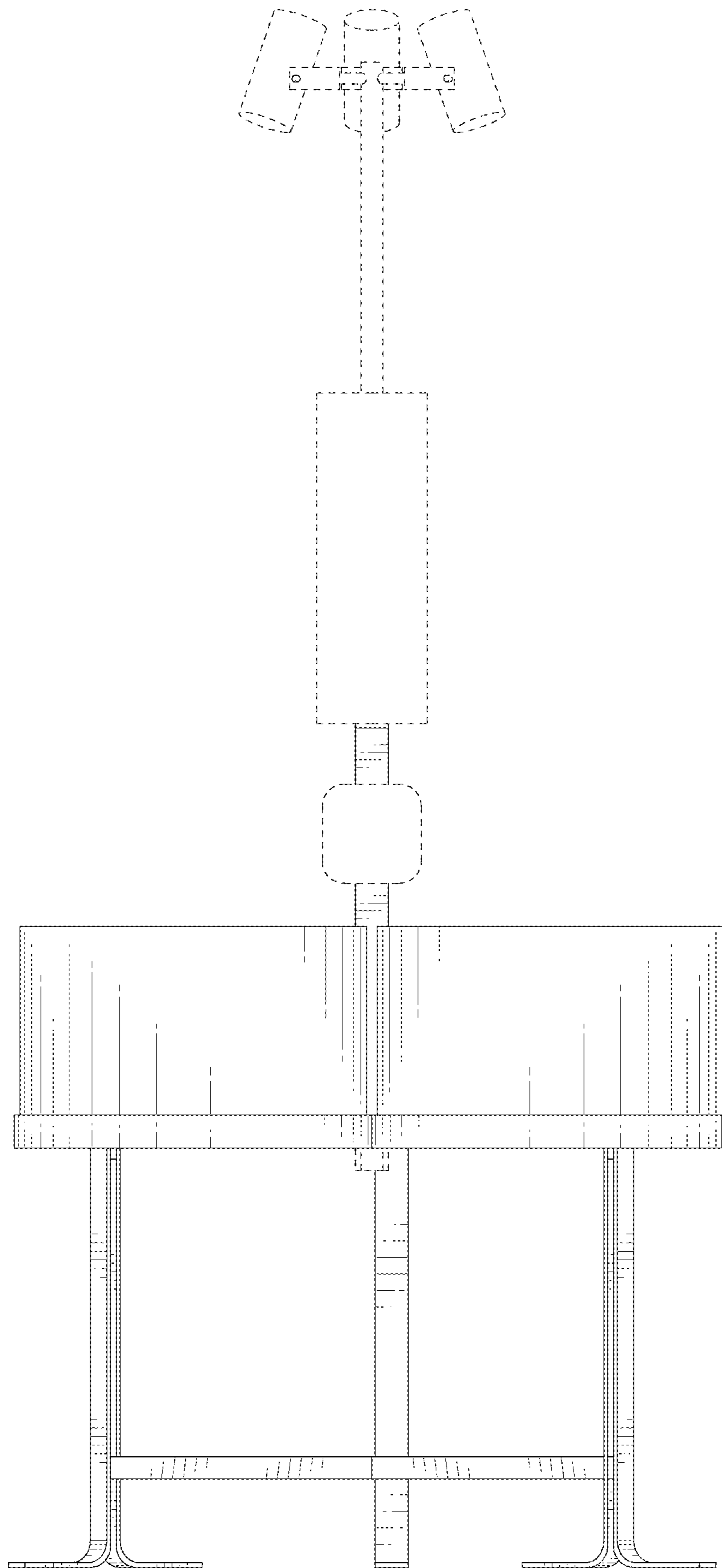


FIG. 3

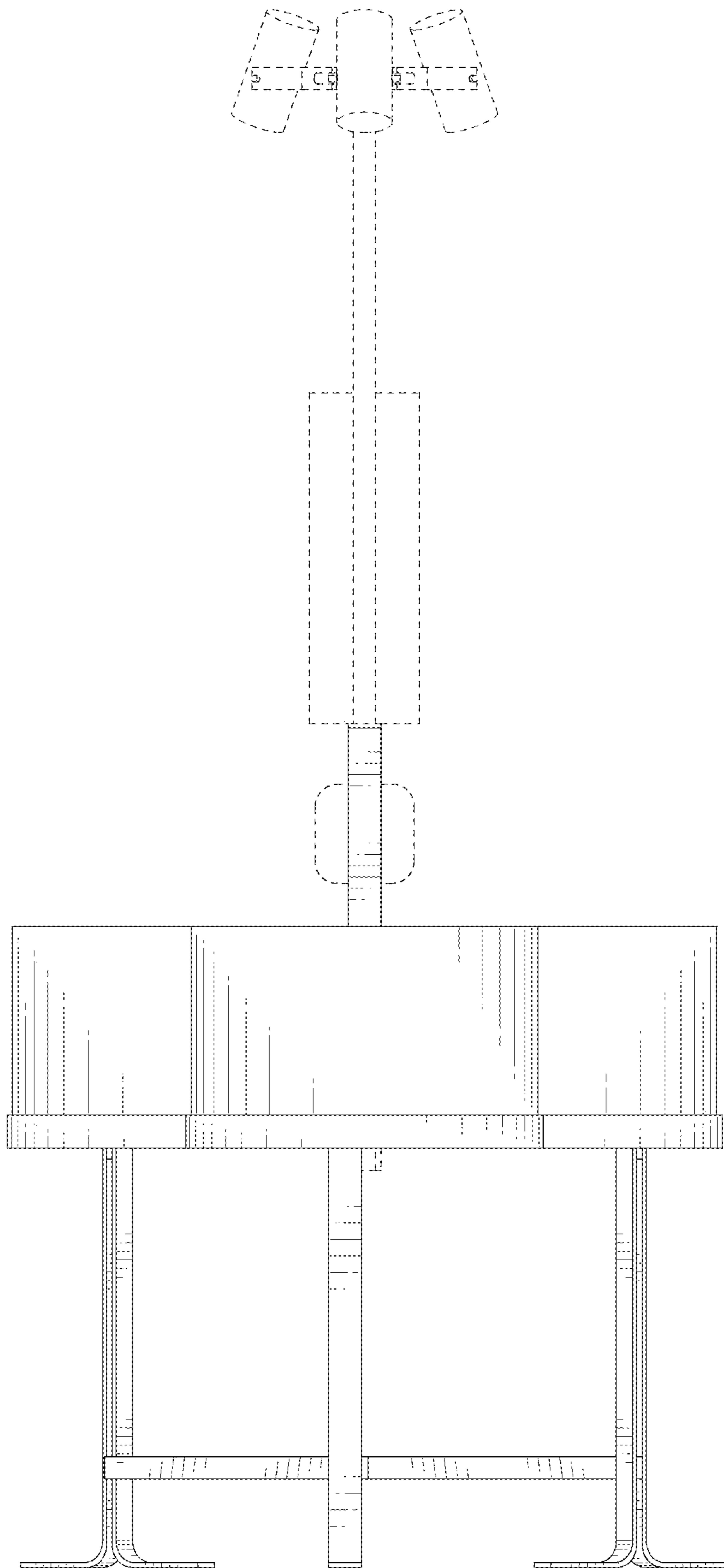


FIG. 4

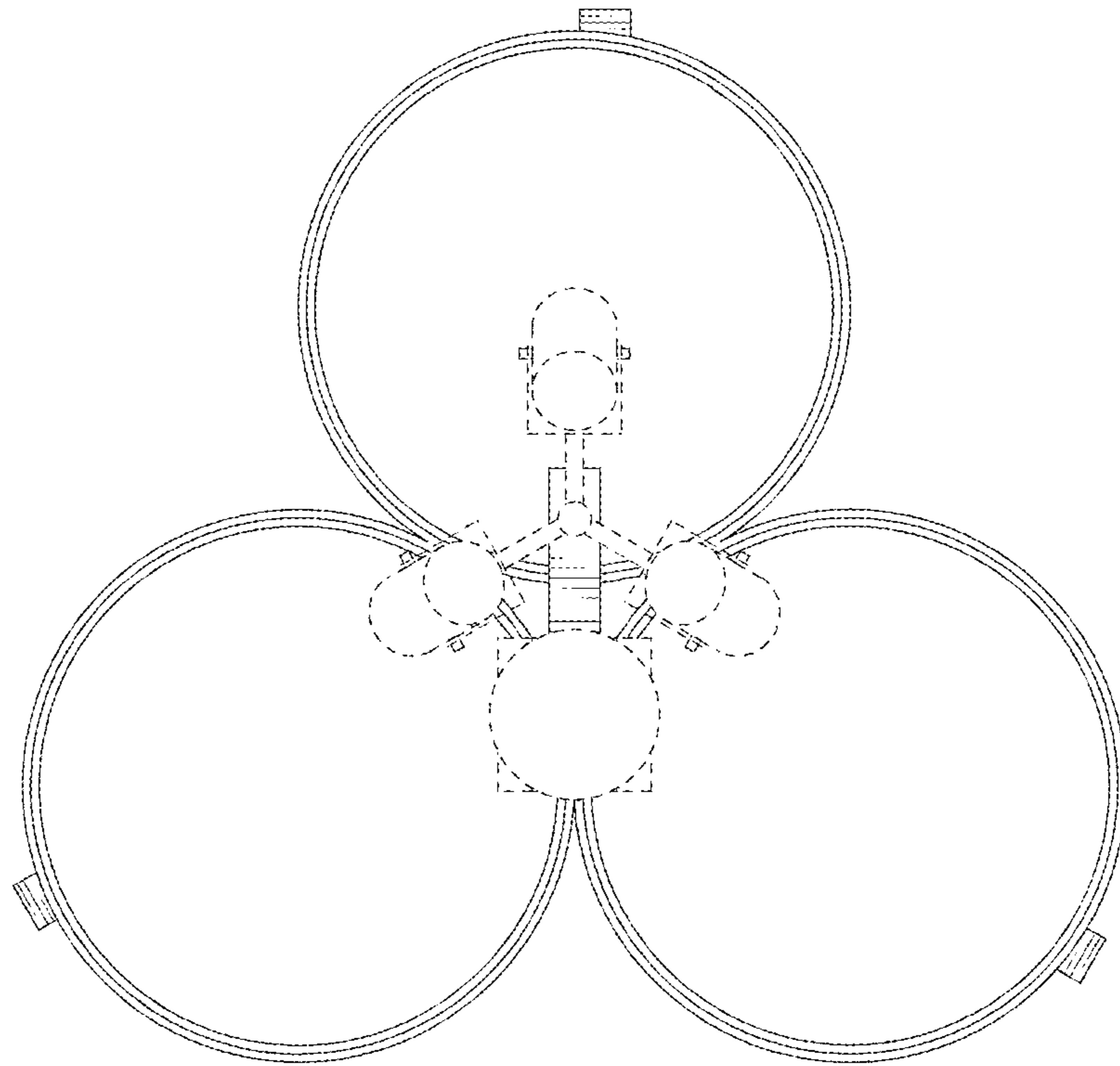


FIG. 5

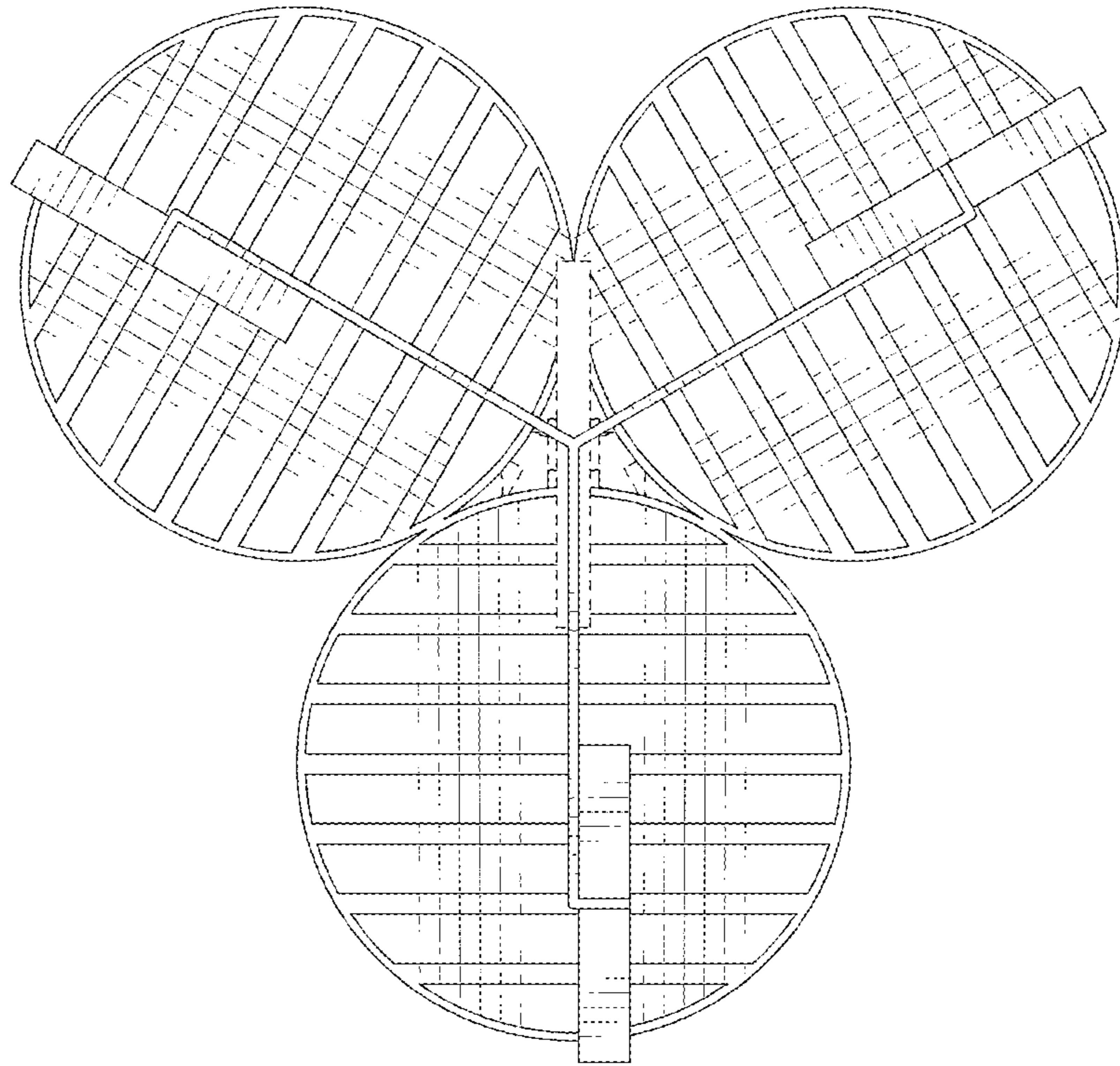


FIG. 6

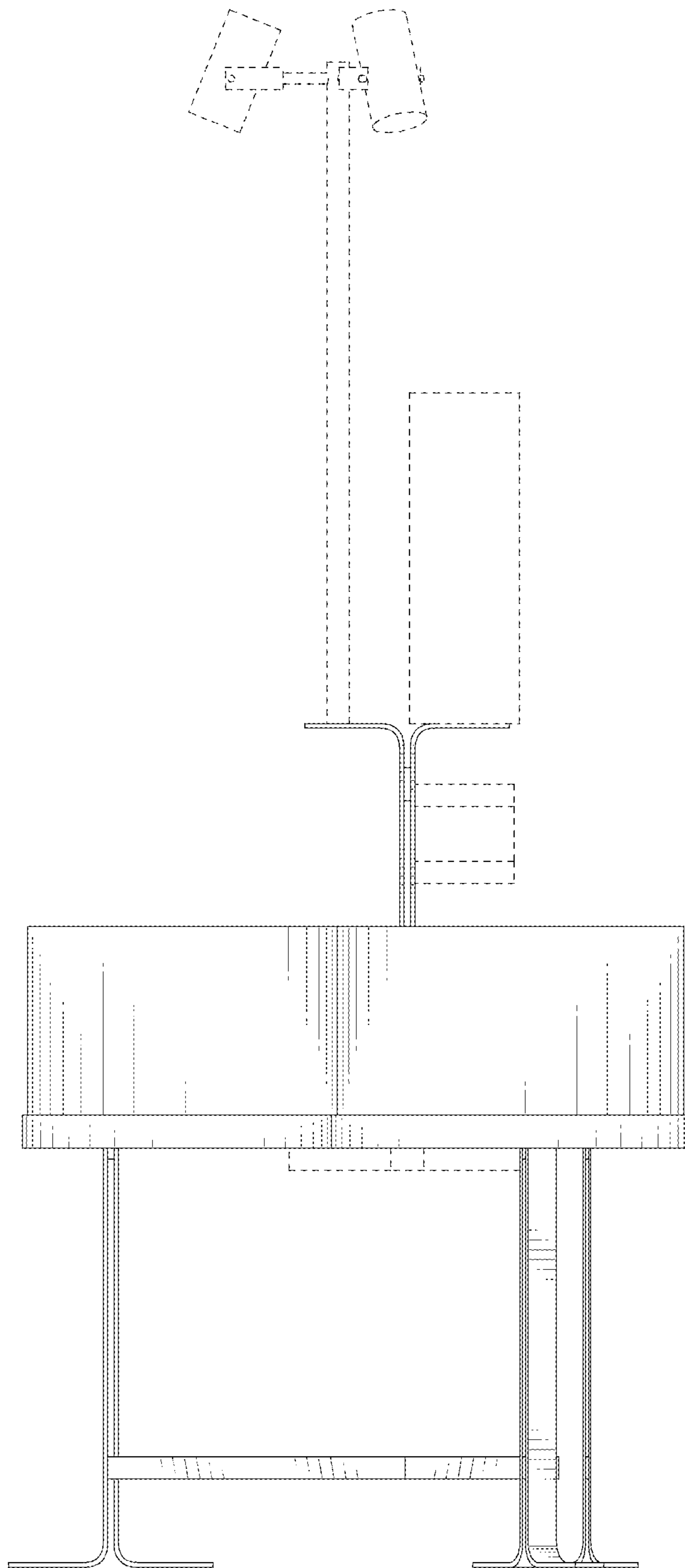


FIG. 7

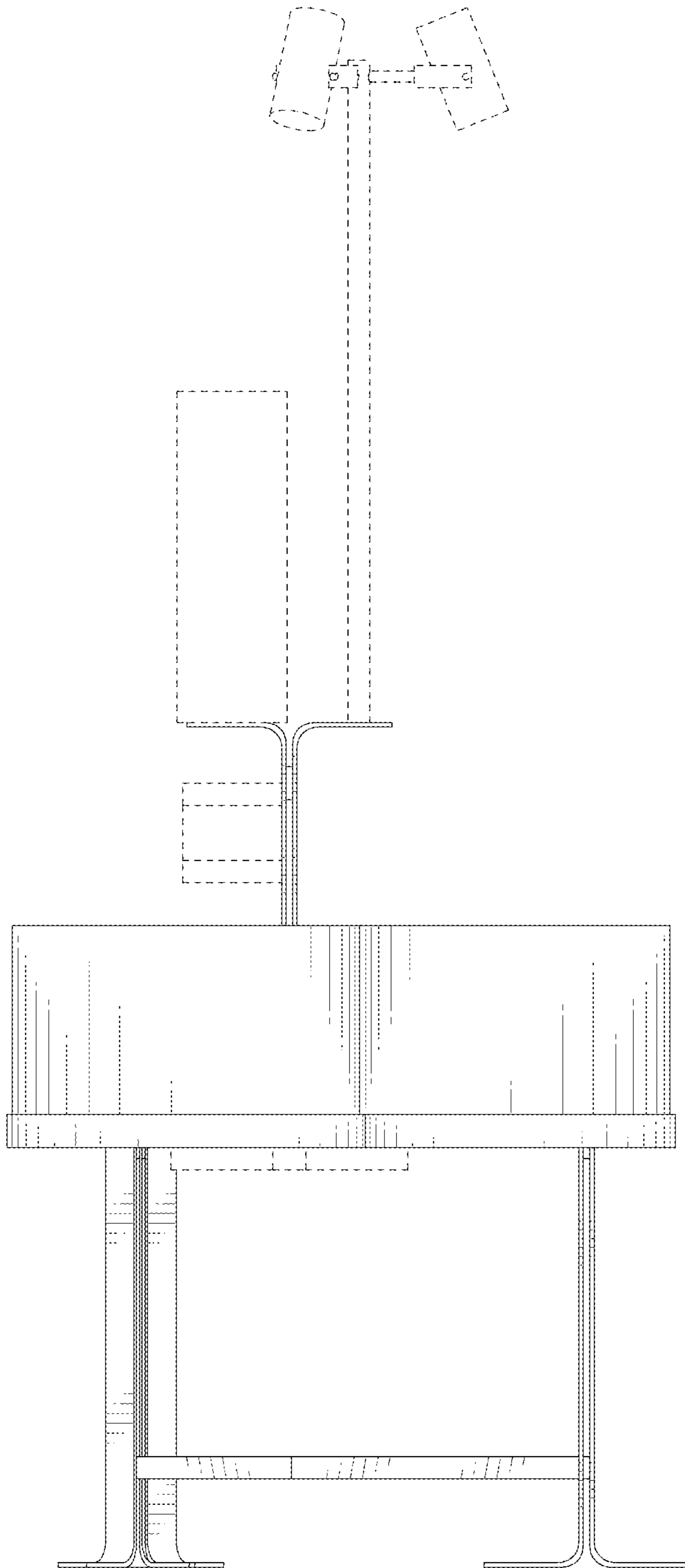


FIG. 8

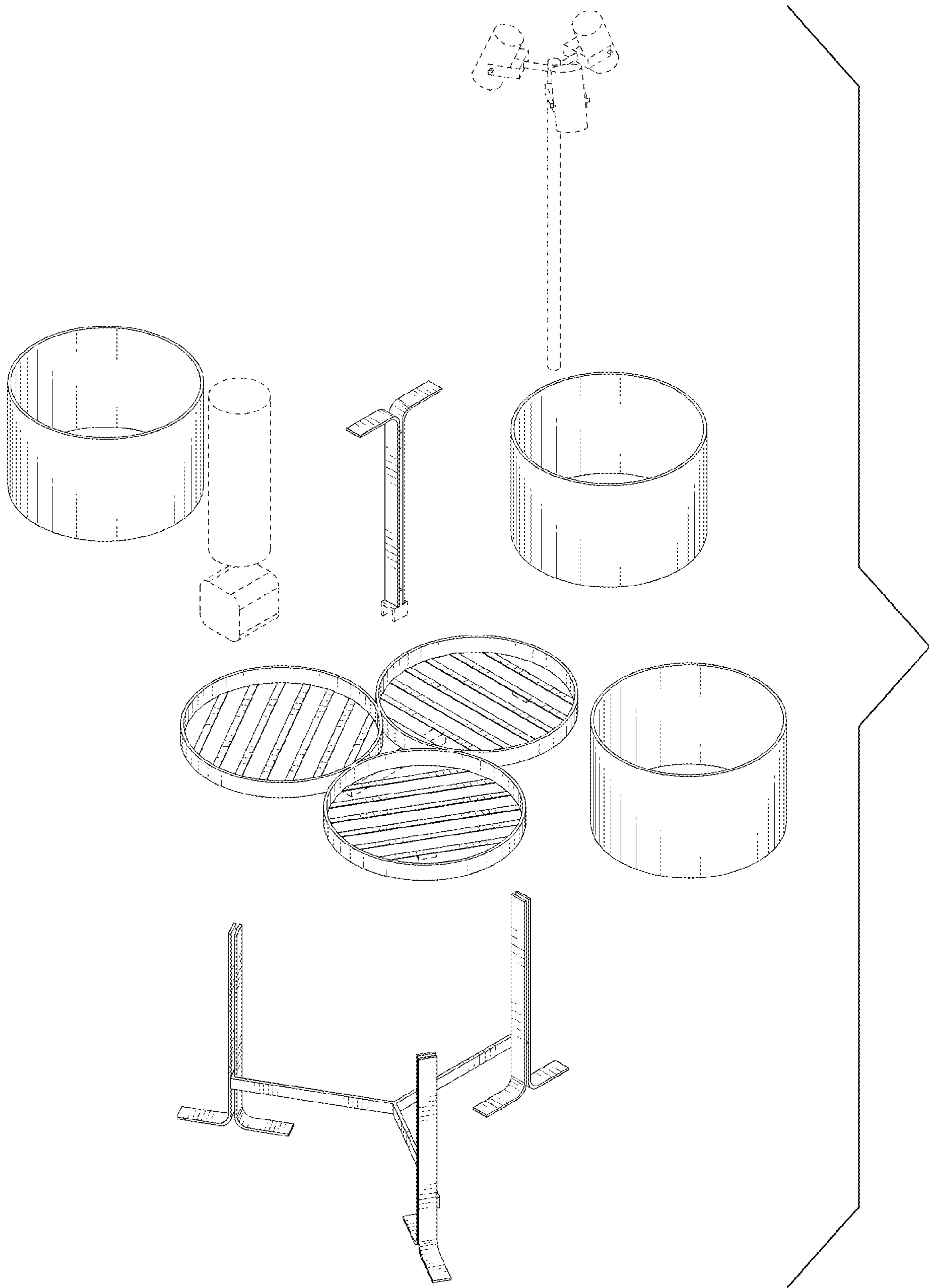


FIG. 9

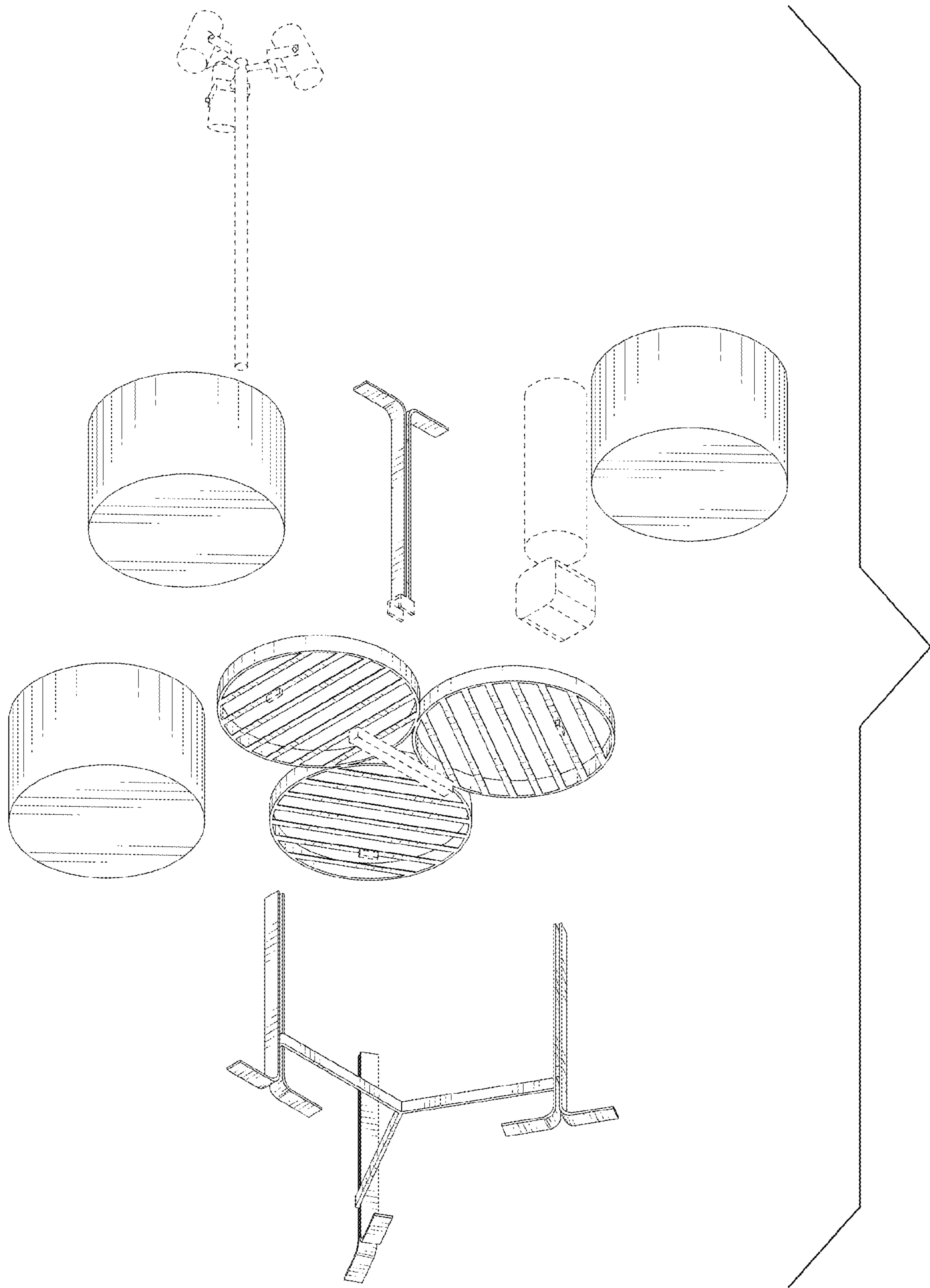


FIG. 10