



US00D946464S

(12) **United States Design Patent**
Resch

(10) **Patent No.:** **US D946,464 S**
(45) **Date of Patent:** **** Mar. 22, 2022**

(54) **ANTLER MOUNT**

(71) Applicant: **Martin Alexander Resch**, Czar (CA)

(72) Inventor: **Martin Alexander Resch**, Czar (CA)

(**) Term: **15 Years**

(21) Appl. No.: **29/739,127**

(22) Filed: **Jun. 23, 2020**

(51) **LOC (13) Cl.** **11-02**

(52) **U.S. Cl.**
USPC **D11/134**

(58) **Field of Classification Search**

USPC D11/131–134, 164, 142, 157, 158, 184
CPC B44C 5/02; B44C 5/06; G09B 23/36
See application file for complete search history.

(56) **References Cited**

U.S. PATENT DOCUMENTS

D608,686	S *	1/2010	St. Ama	D11/134
D721,987	S *	2/2015	Burgh	D11/134
D722,525	S *	2/2015	Burgh	D11/134
9,626,881	B1 *	4/2017	Herron	B44C 5/02
10,242,599	B1 *	3/2019	Herron	G09B 23/36
D866,388	S *	11/2019	Stephenson	D11/134
D869,327	S *	12/2019	Stephenson	D11/134
D869,984	S *	12/2019	Stephenson	D11/134
D878,241	S *	3/2020	Stephenson	D11/134
2006/0154224	A1 *	7/2006	St.Ama	G09B 23/36 434/296
2009/0230260	A1 *	9/2009	Damin	G09B 23/36 248/126
2017/0087925	A1 *	3/2017	Martin	B44C 5/02

OTHER PUBLICATIONS

Do-All Outdoors—Iron Buck Antler Mount, available Mar. 22, 2021, [online], [site visited Nov. 6, 2021]. Available from internet,

URL: <https://www.amazon.com/Do-All-Outdoors-Antler-Mount-Silver/dp/B00194D72O?th=1&psc=1> (Year: 2021).*

* cited by examiner

Primary Examiner — W. A. Teddy Falloway

(74) *Attorney, Agent, or Firm* — Robert C. Corbett;
Technology Law, PLLC

(57) **CLAIM**

The ornamental design for an antler mount, as shown and described.

DESCRIPTION

FIG. 1 is a front, left, and bottom perspective view of an antler mount illustrated as having antlers connected thereto and being mounted to a wall;

FIG. 2 is another front, left, and bottom perspective view of the antler mount of FIG. 1;

FIG. 3 is a front elevation view of the antler mount of FIG. 1;

FIG. 4 is a top plan view of the antler mount of FIG. 1;

FIG. 5 is a bottom plan view of the antler mount of FIG. 1;

FIG. 6 is a left side elevation view of the antler mount of FIG. 1;

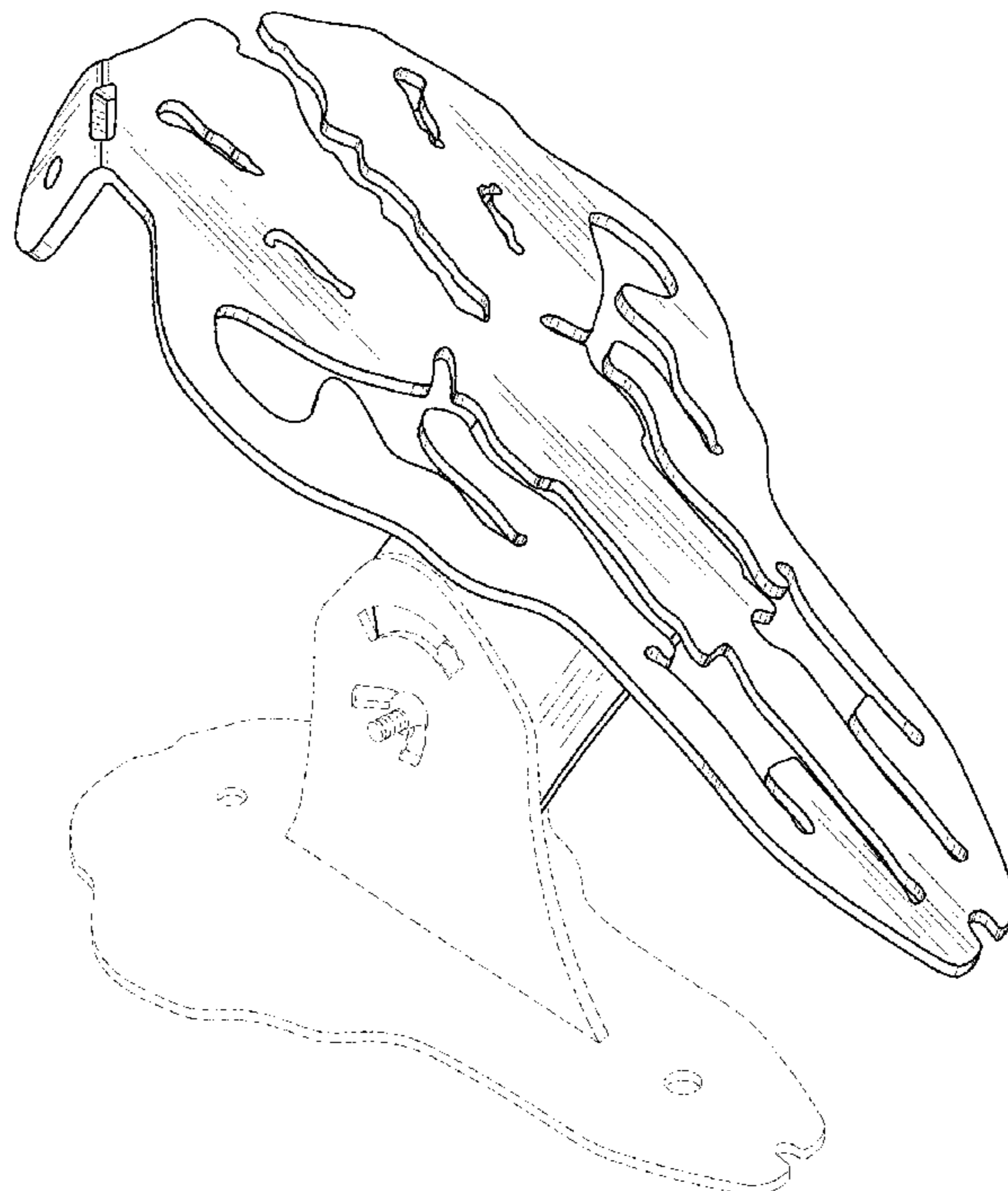
FIG. 7 is a right side elevation view of the antler mount of FIG. 1;

FIG. 8 is a rear elevational view of the antler mount of FIG. 1; and,

FIG. 9 is a left side elevation view of the antler mount of FIG. 1 with the angle between the wall bracket and the antler bracket adjusted relative to FIG. 6.

The broken lines shown illustrate environment and form no part of the claimed design.

1 Claim, 8 Drawing Sheets



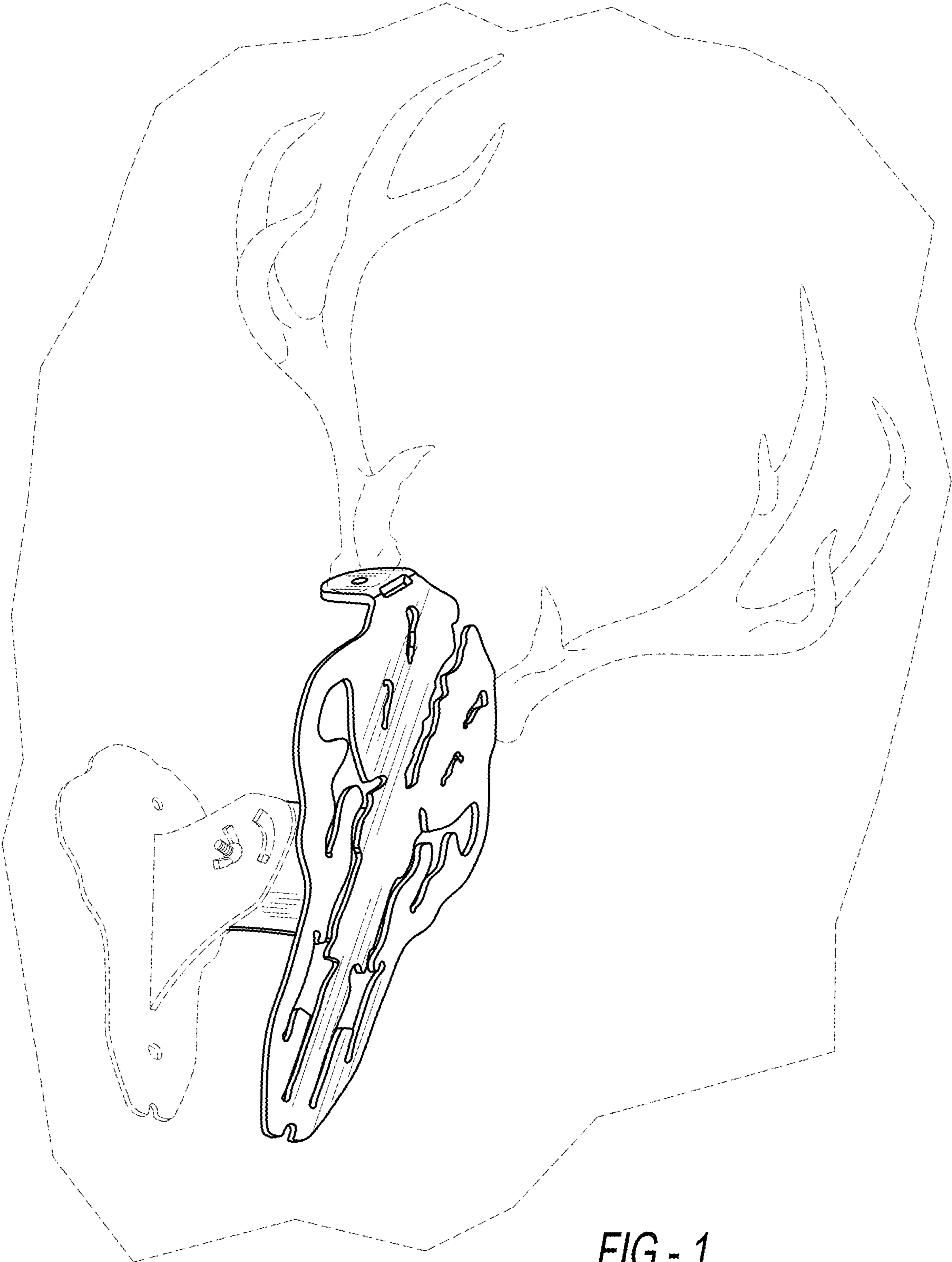


FIG - 1

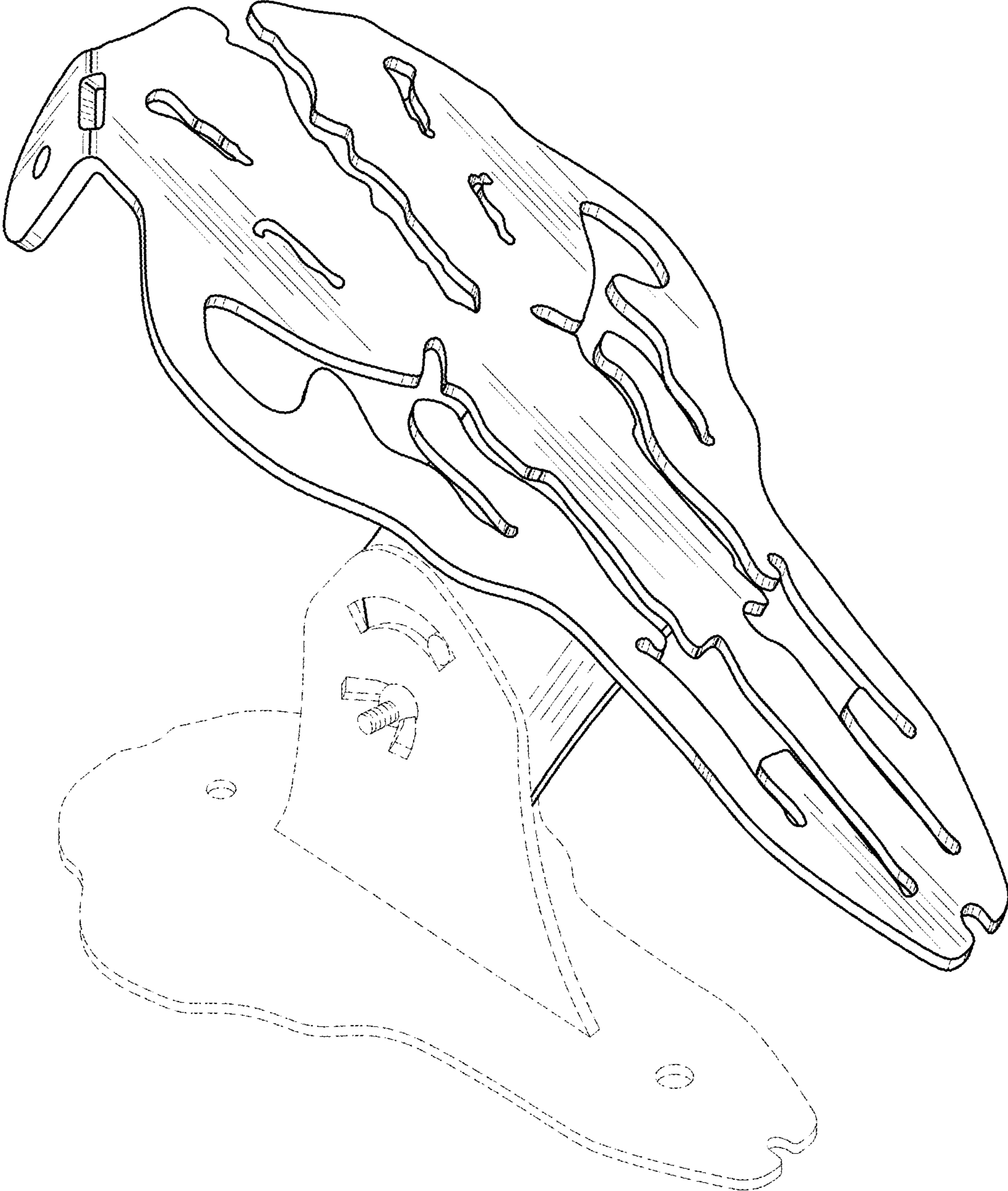


FIG - 2

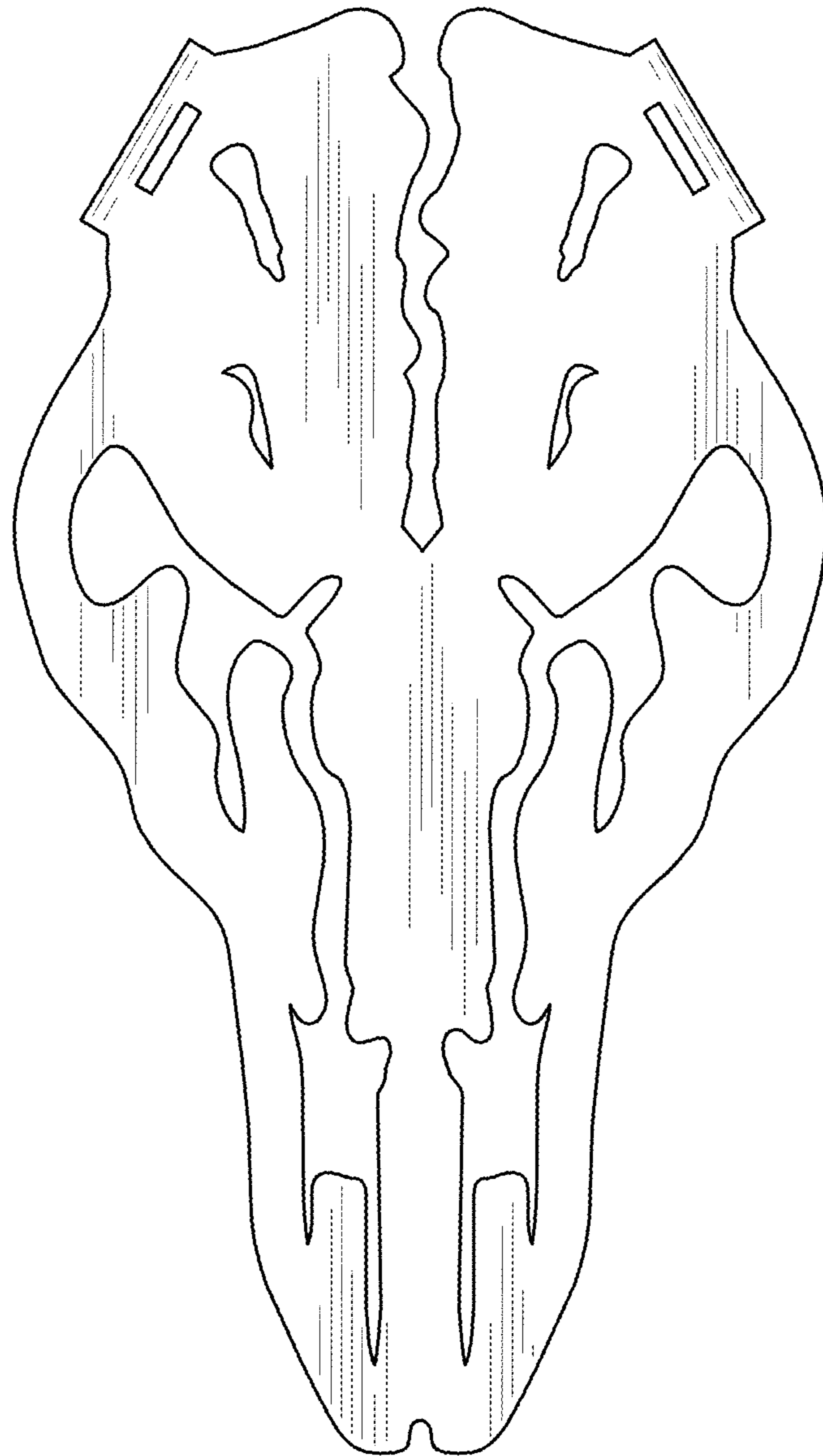


FIG - 3

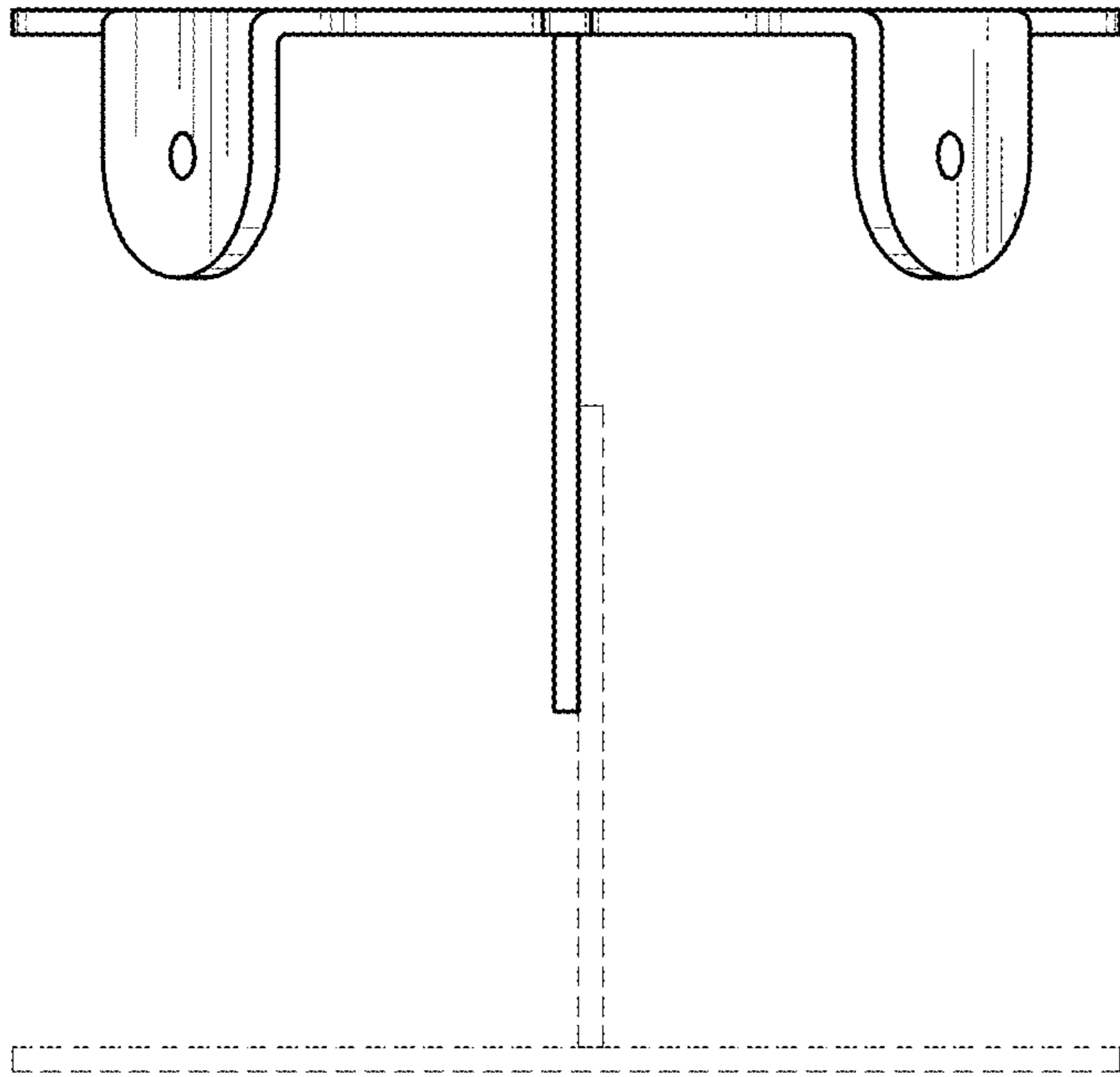


FIG - 4

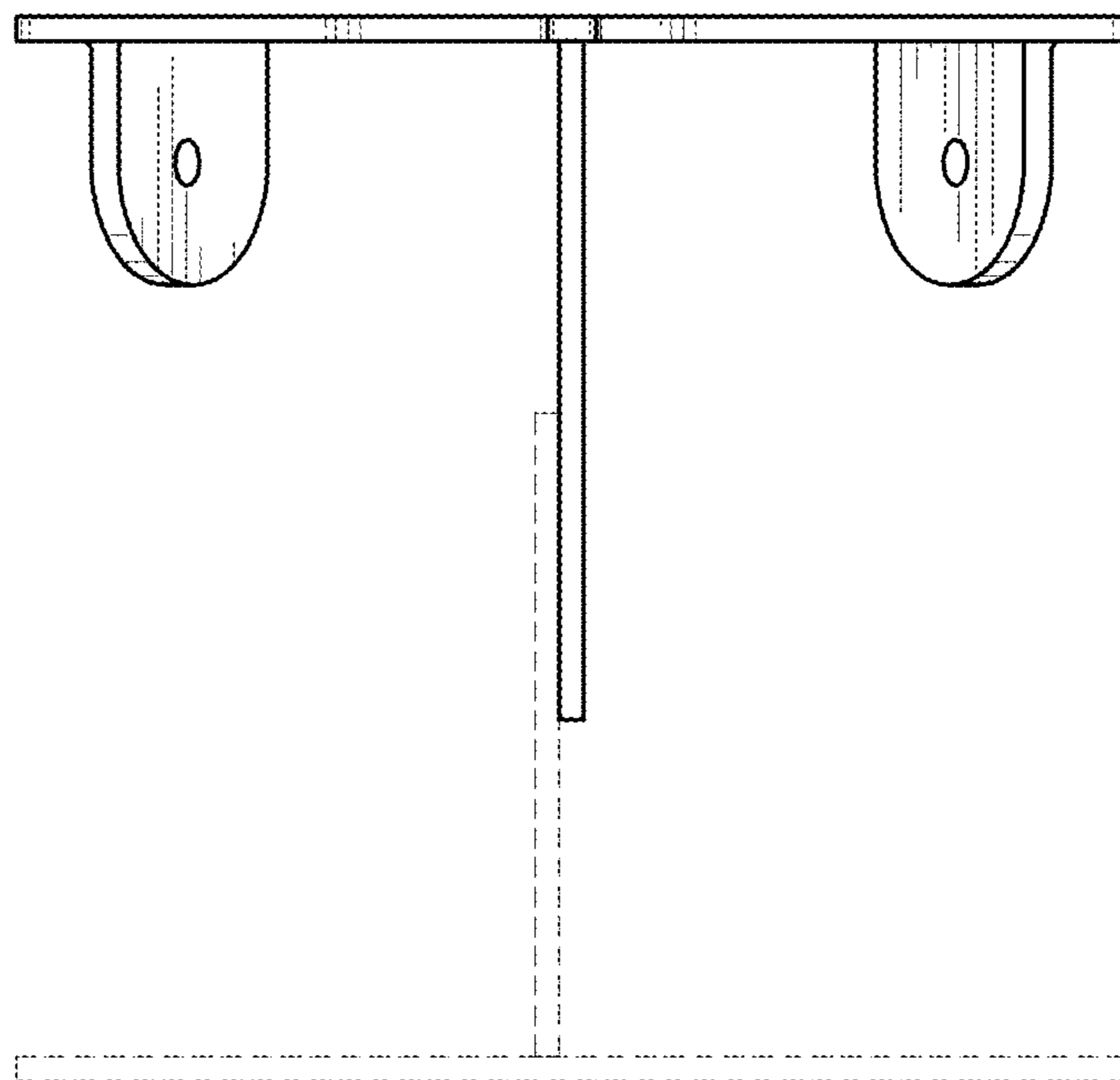


FIG - 5

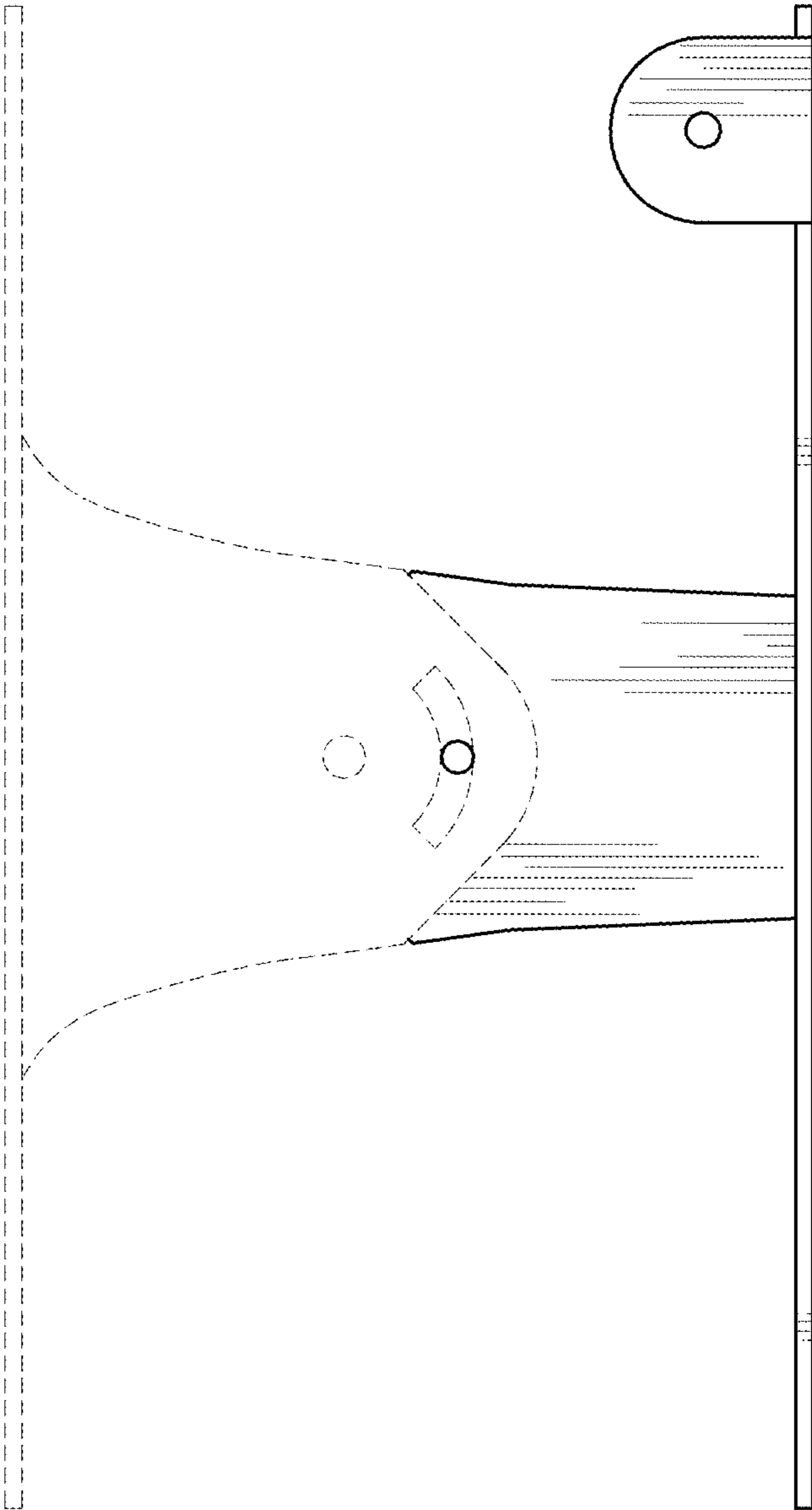


FIG - 6

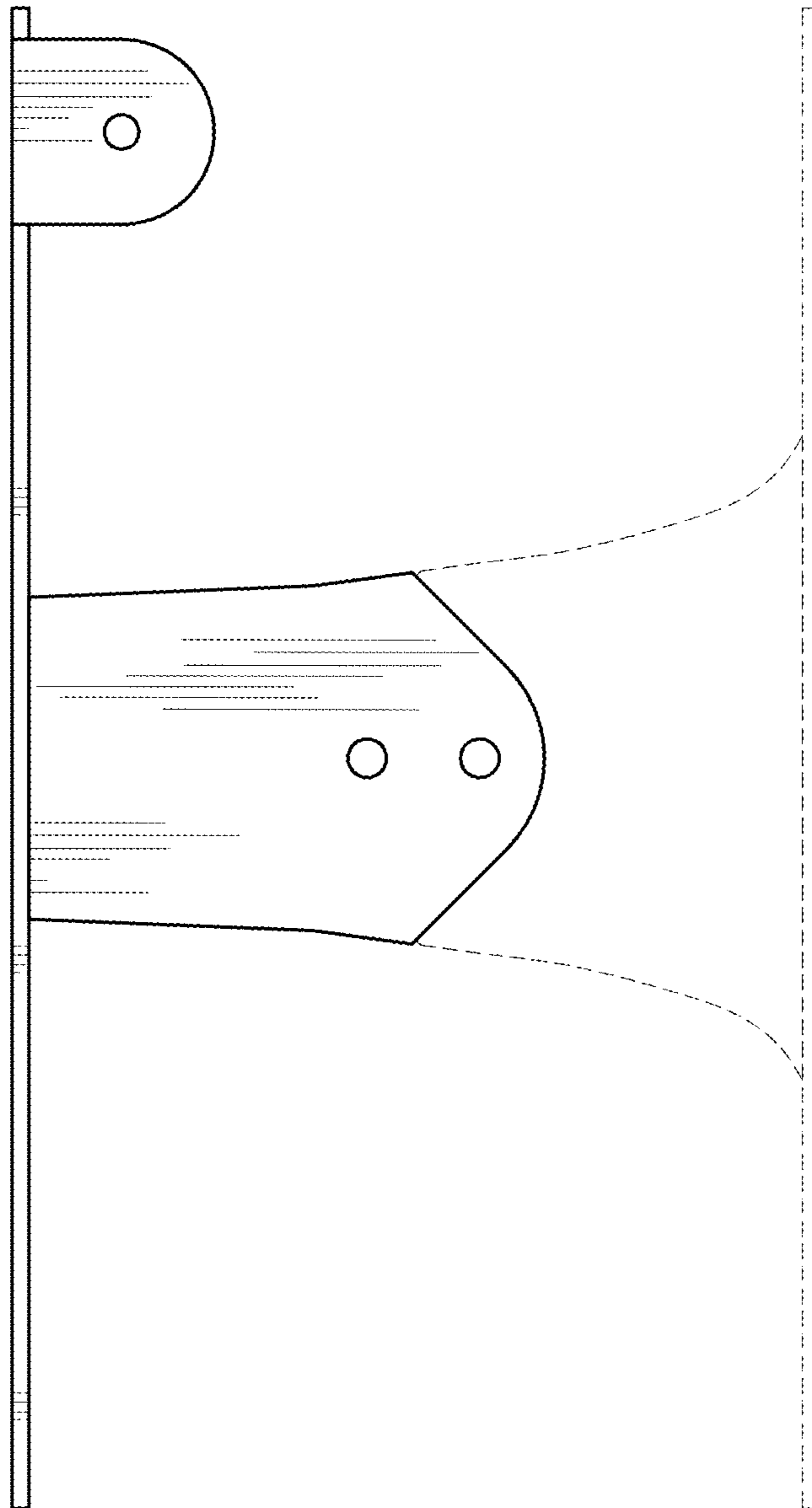


FIG - 7

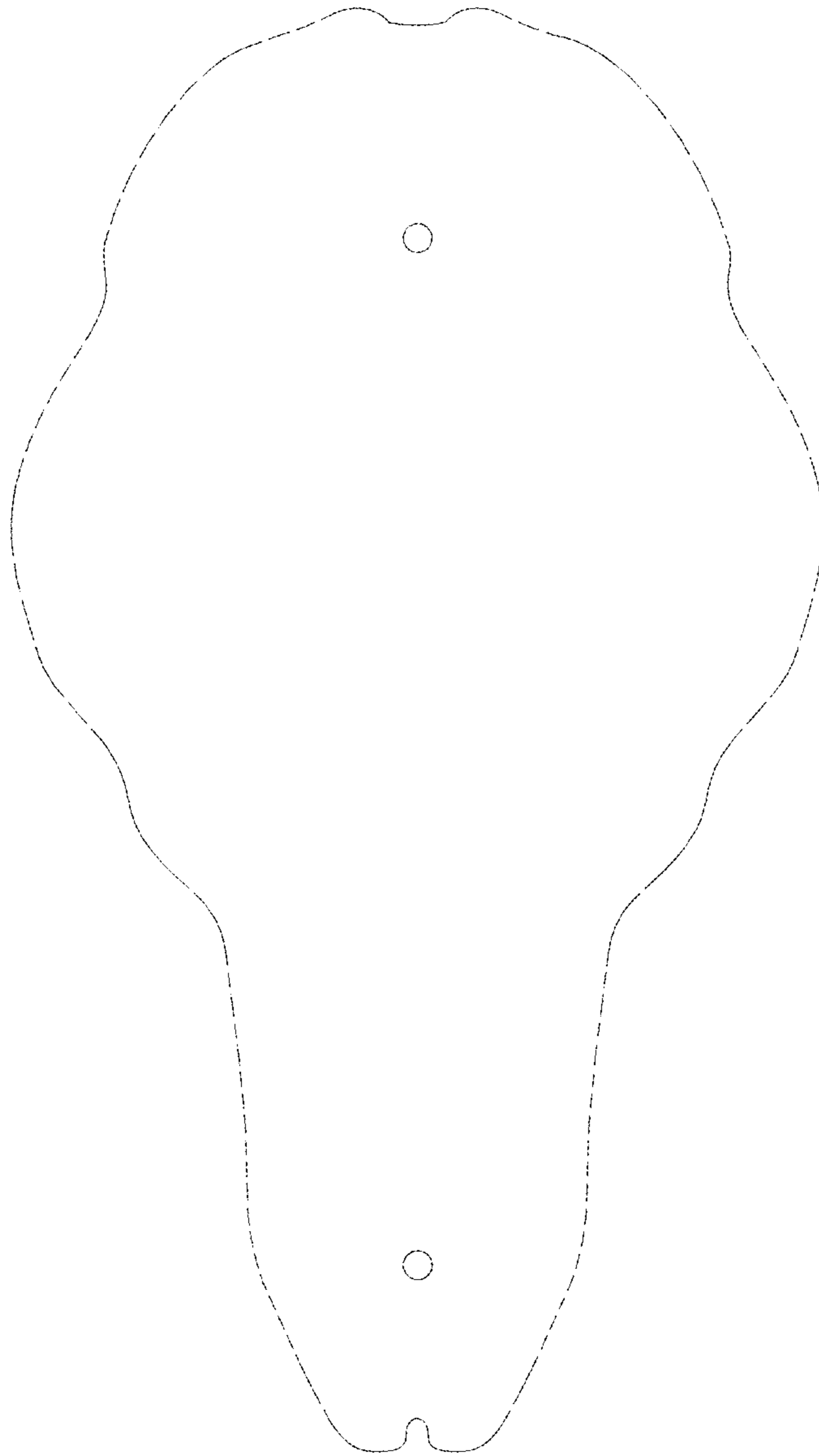


FIG - 8

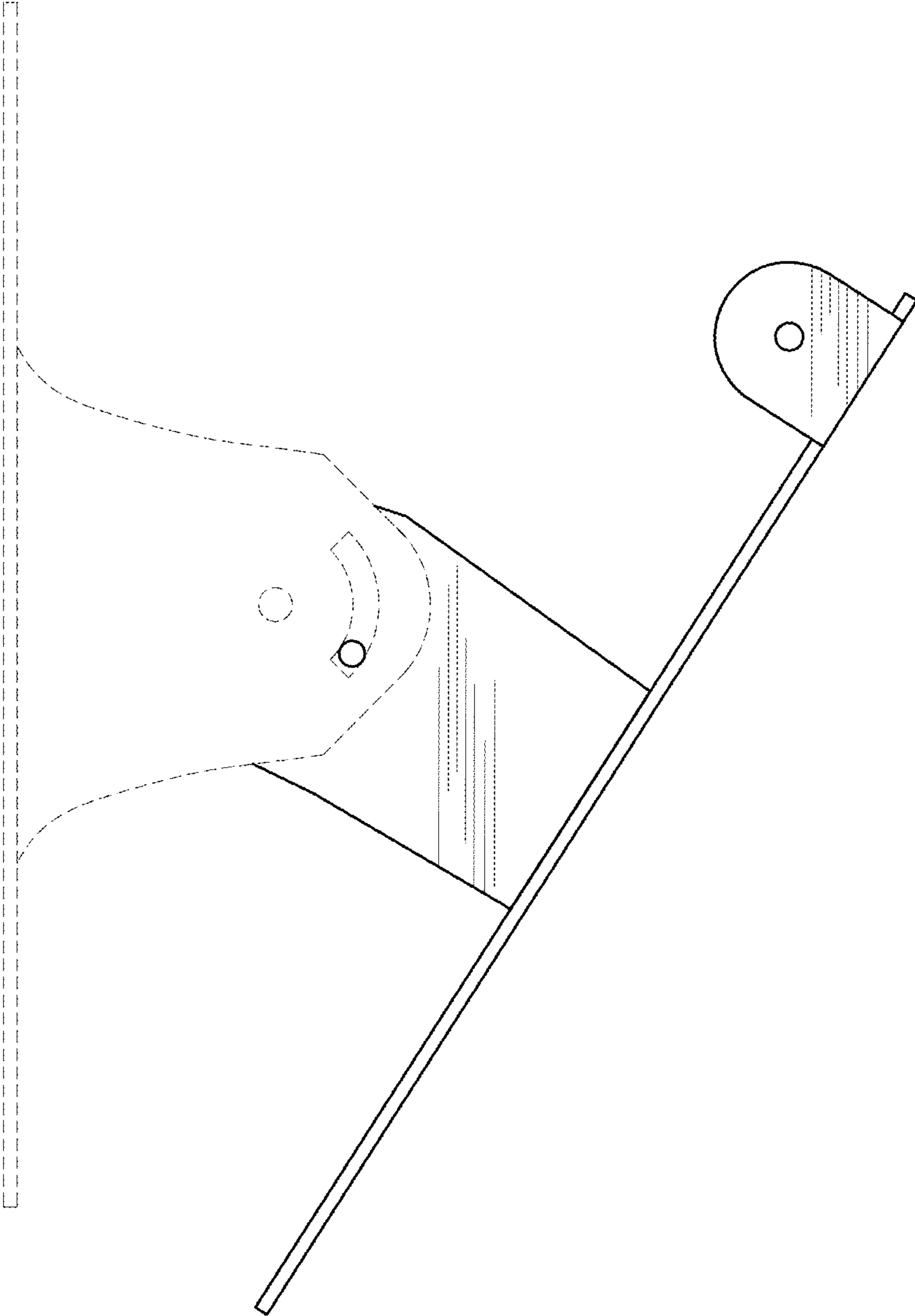


FIG - 9