



US00D946462S

(12) **United States Design Patent** (10) **Patent No.:** **US D946,462 S**  
**Bhansali et al.** (45) **Date of Patent:** **\*\* \*Mar. 22, 2022**

- (54) **JEWELRY STONE SETTING**
- (71) Applicants: **Baiju Bhansali**, New York, NY (US);  
**Joseph Weinreich**, New York, NY (US)
- (72) Inventors: **Baiju Bhansali**, New York, NY (US);  
**Joseph Weinreich**, New York, NY (US)
- (73) Assignee: **DDLNYC LLC**, New York, NY (US)
- (\*) Notice: This patent is subject to a terminal disclaimer.
- (\*\*) Term: **15 Years**
- (21) Appl. No.: **29/666,911**
- (22) Filed: **Oct. 29, 2018**
- (51) **LOC (13) Cl.** ..... **11-01**
- (52) **U.S. Cl.**  
USPC ..... **D11/91**
- (58) **Field of Classification Search**  
USPC ..... D11/1-3, 26, 34-37, 40, 41, 43, 79, 90,  
D11/91, 92  
CPC ..... A44C 1/00; A44C 17/00; A44C 17/001;  
A44C 17/002; A44C 17/005; A44C  
17/006; A44C 17/007; A44C 17/02; A44C  
17/04; A44C 17/046; A44C 9/00  
See application file for complete search history.

- (56) **References Cited**  
U.S. PATENT DOCUMENTS  
D55,597 S \* 7/1920 Felger ..... D11/91  
D57,217 S \* 3/1921 Eliasoff et al. .... D11/92  
D58,307 S \* 7/1921 Davidson ..... D11/90  
D68,641 S \* 11/1925 Robbins ..... D11/34  
D68,642 S \* 11/1925 Robbins ..... D11/34  
D68,644 S \* 11/1925 Robbins ..... D11/34  
D104,863 S \* 6/1937 Lemmon ..... D11/35  
D130,419 S \* 11/1941 Schaeffer ..... D11/92

- D156,626 S \* 12/1949 Jackson ..... D11/36
- D241,063 S \* 8/1976 Poulin ..... D11/35
- D241,064 S \* 8/1976 Poulin ..... D11/35
- D267,706 S \* 1/1983 Shapiro ..... D11/34
- D440,098 S 4/2001 Horsten
- D485,509 S 1/2004 Shagalov
- D498,169 S \* 11/2004 Pinto ..... D11/79
- D505,092 S \* 5/2005 Kothari ..... D11/91
- D508,867 S 8/2005 Shum
- D510,540 S \* 10/2005 Pinto ..... D11/79
- D618,132 S 6/2010 Wong et al.
- 7,762,104 B2\* 7/2010 Lin ..... A44C 17/046  
63/27
- D623,980 S 9/2010 Yu
- D632,207 S 2/2011 Gurfinkel
- D641,651 S 7/2011 Kothari
- D642,087 S 7/2011 Kothari
- D643,327 S 8/2011 Kothari
- D643,767 S 8/2011 Kothari
- D647,817 S \* 11/2011 Kothari ..... D11/40

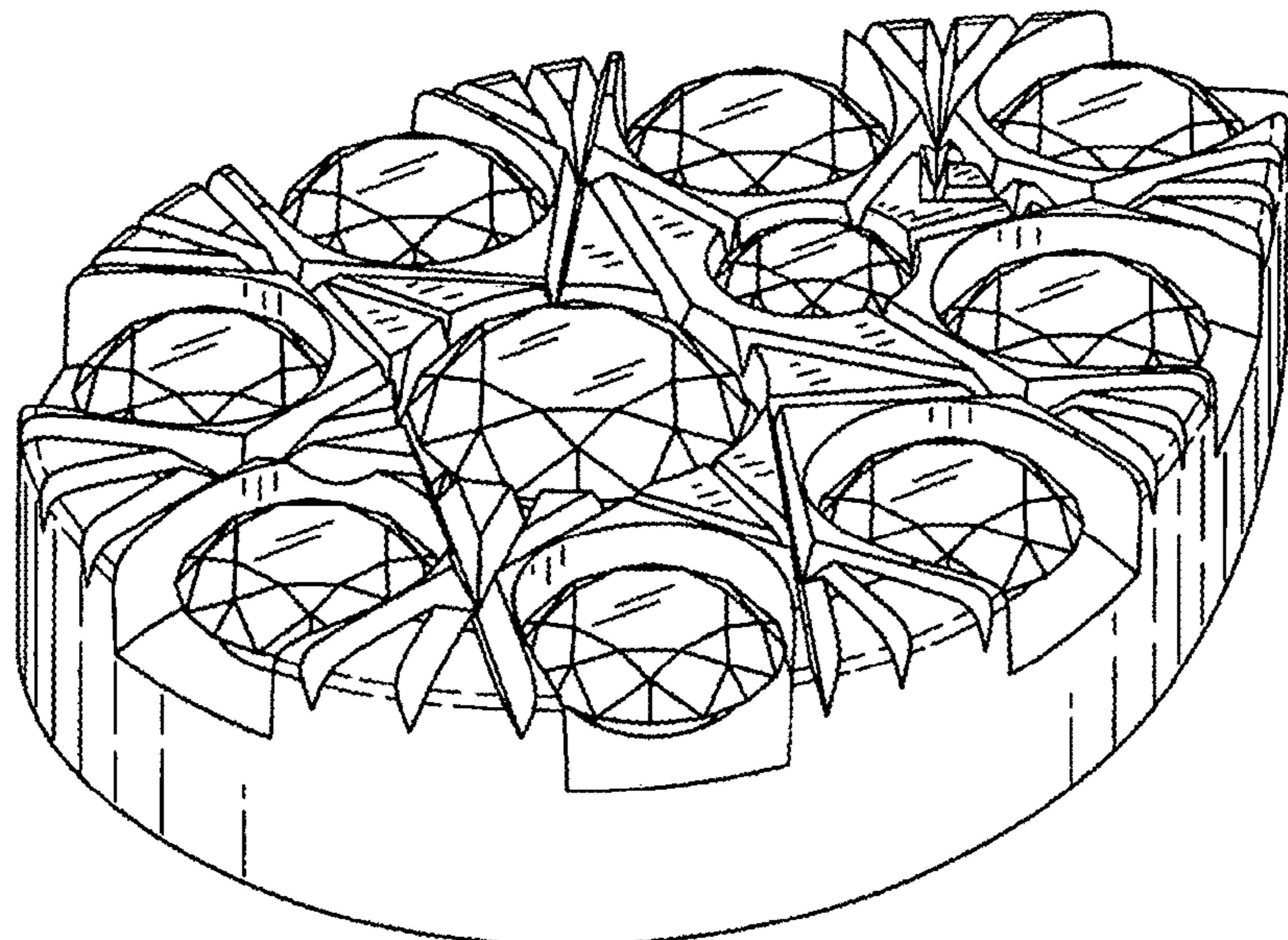
(Continued)

*Primary Examiner* — Llorellys Martinez  
(74) *Attorney, Agent, or Firm* — Michael A. Painter

(57) **CLAIM**  
The ornamental design for a jewelry stone setting, as shown and described.

**DESCRIPTION**  
FIG. 1 is a top perspective view of a jewelry stone setting showing our new design.  
FIG. 2 is a top view thereof;  
FIG. 3 is a bottom view thereof;  
FIG. 4 is a front view thereof;  
FIG. 5 the rear view thereof;  
FIG. 6 is the left side view thereof; and,  
FIG. 7 is the right side view thereof.  
All portions of the drawing illustrated in dotted lines show portions of the jewelry stone setting form no part of the claimed design.

**1 Claim, 3 Drawing Sheets**



(56)

References Cited

U.S. PATENT DOCUMENTS

D648,650 S	11/2011	Roehl		D755,665 S	5/2016	Krainz	
D648,651 S	11/2011	Sin		D791,012 S	7/2017	Krainz	
D650,308 S	12/2011	Roel		D798,188 S	9/2017	Wong	
D654,394 S	2/2012	Kothari		D828,781 S *	9/2018	Bhansali .....	D11/91
D676,352 S *	2/2013	Dholakiya .....	D11/40	D829,125 S *	9/2018	Bhansali .....	D11/91
D676,785 S *	2/2013	Kothari .....	D11/40	D829,126 S	9/2018	Bhansali	
D680,898 S	4/2013	Dholakiya		D832,735 S *	11/2018	Krainz .....	D11/91
D684,886 S	6/2013	Wein		D840,866 S *	2/2019	Parikh .....	D11/91
D684,887 S	6/2013	Wein		D845,822 S *	4/2019	Bhansali .....	D11/91
D685,287 S	7/2013	Kothari		D845,823 S *	4/2019	Bhansali .....	D11/91
D687,337 S *	8/2013	Kothari .....	D11/91	D851,534 S *	6/2019	Bhosale .....	D11/91
D693,726 S *	11/2013	Kothari .....	D11/91	D851,535 S *	6/2019	Bhosale .....	D11/91
D697,451 S	1/2014	Dholakiya		D851,536 S *	6/2019	Bhosale .....	D11/91
D703,090 S	4/2014	Dholakiya		D852,084 S *	6/2019	Ho .....	D11/92
D703,091 S	4/2014	Dholakiya		D854,964 S *	7/2019	Golden .....	D11/91
D709,403 S	7/2014	Sanghvi		D859,205 S *	9/2019	Bonoli .....	D11/91
D712,302 S	9/2014	Dholakiya		2009/0056376 A1	3/2009	Lin	
D712,303 S	9/2014	Dholakiya		2012/0272681 A1	11/2012	Kothari	
D714,182 S	9/2014	Doran		2015/0342310 A1	12/2015	Kei	
D751,939 S *	3/2016	Vartanian .....	D11/1	2018/0338589 A1 *	11/2018	Lin .....	A44C 17/0275
				2019/0008244 A1 *	1/2019	Rutgerson .....	A44C 17/04
				2019/0021459 A1 *	1/2019	Lin .....	A44C 17/04
				2019/0298012 A1 *	10/2019	Das .....	A44C 17/02

\* cited by examiner

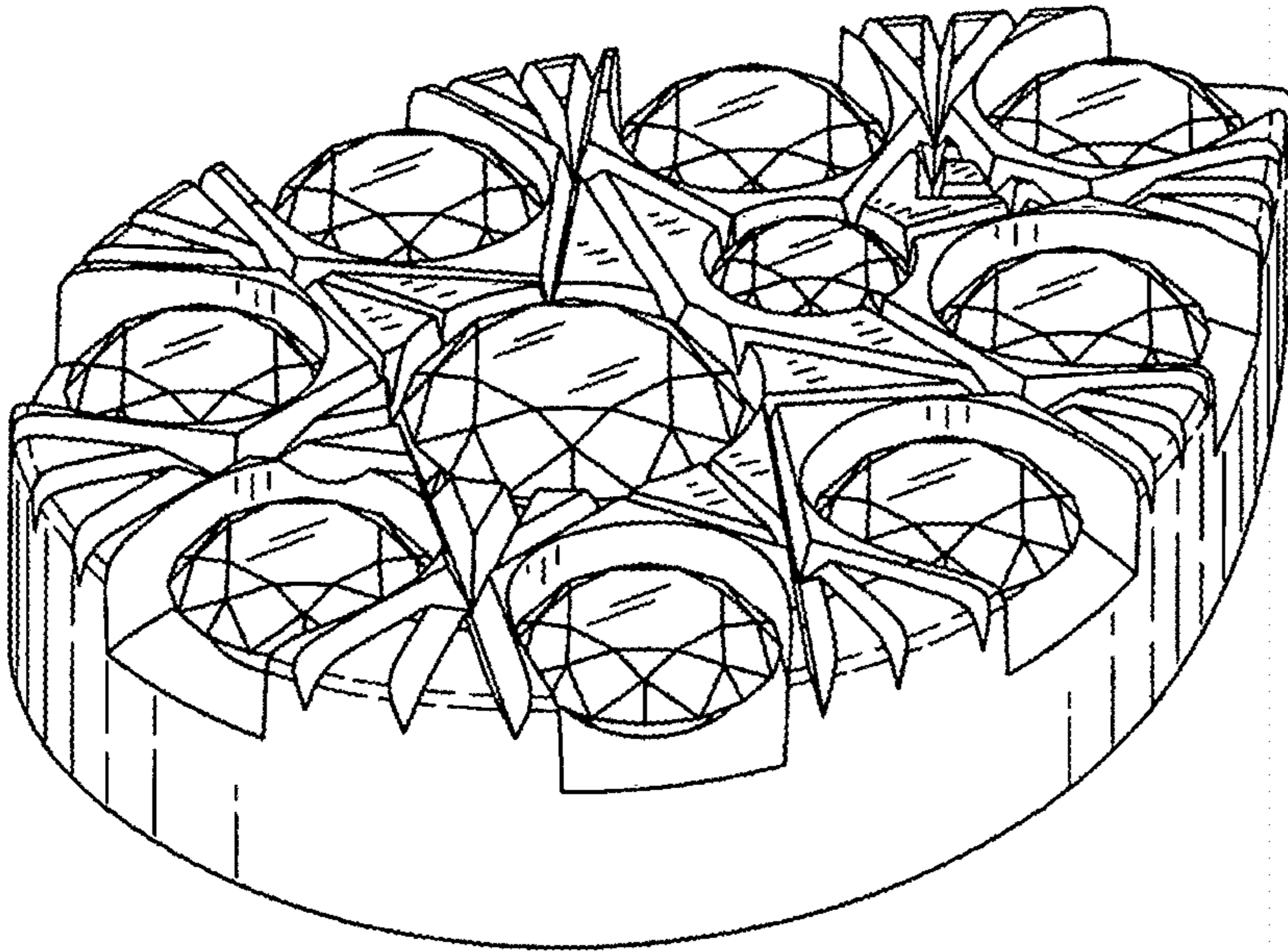


FIG. 1

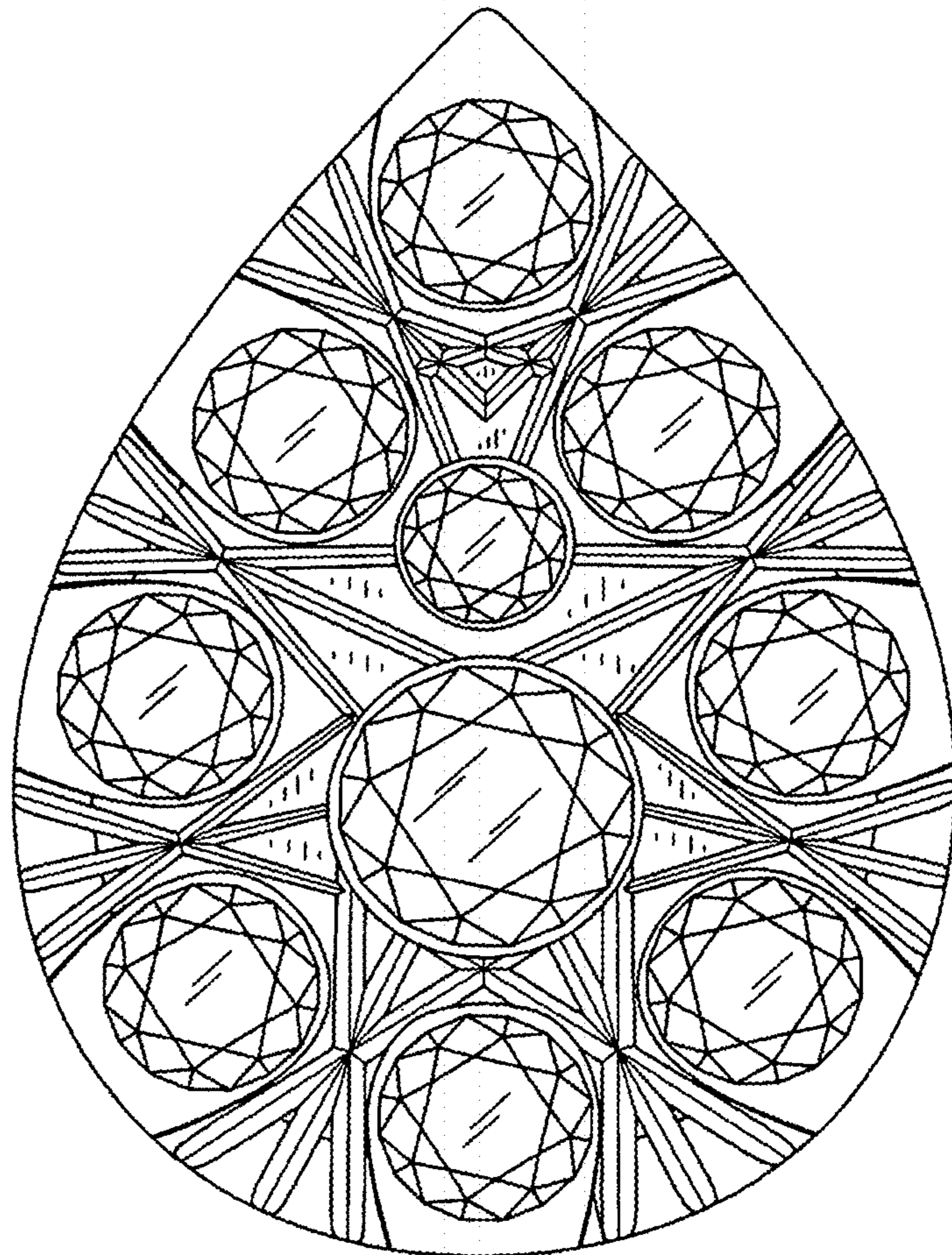
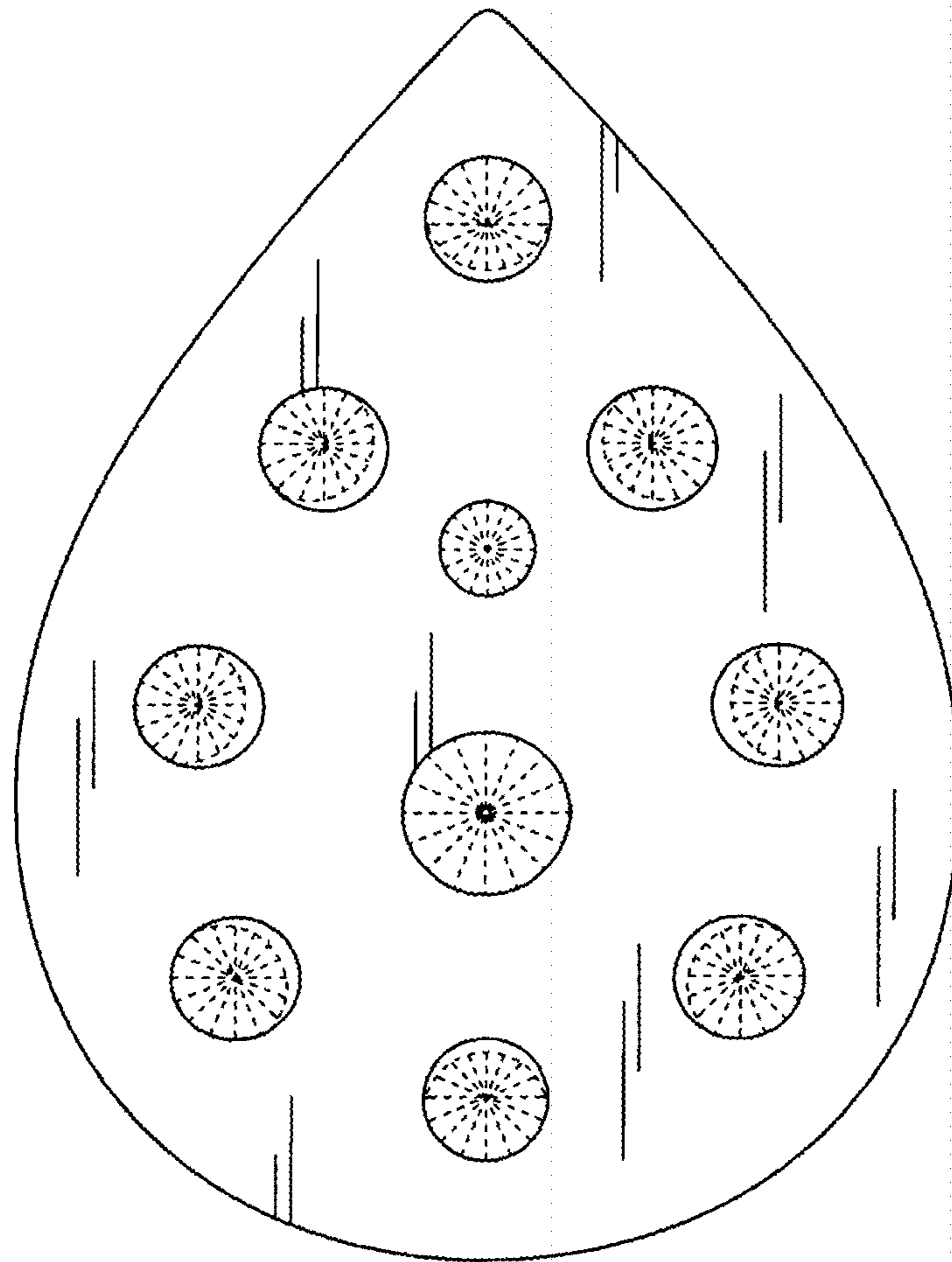
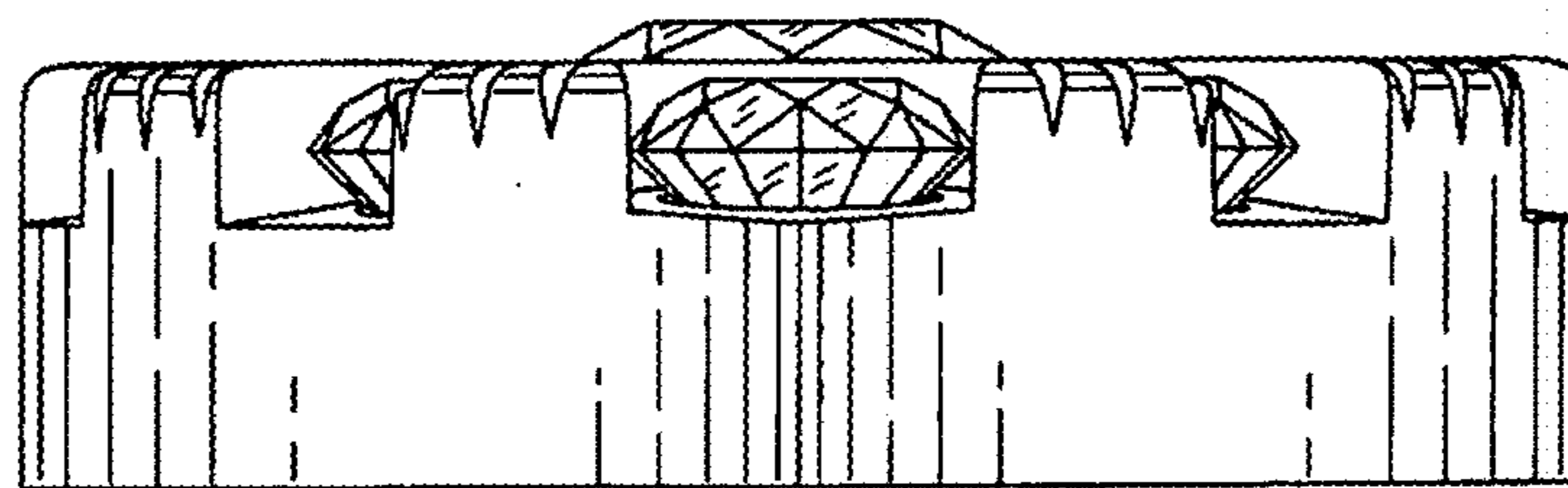


FIG. 2



**FIG. 3**



**FIG. 4**

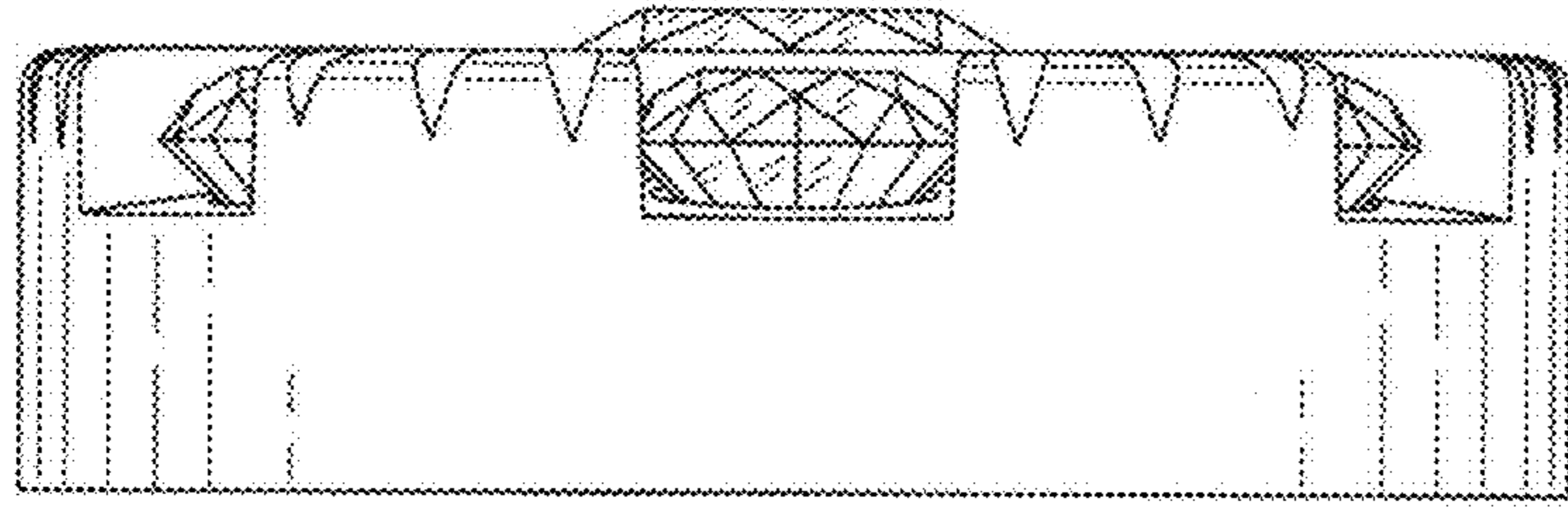


FIG. 5

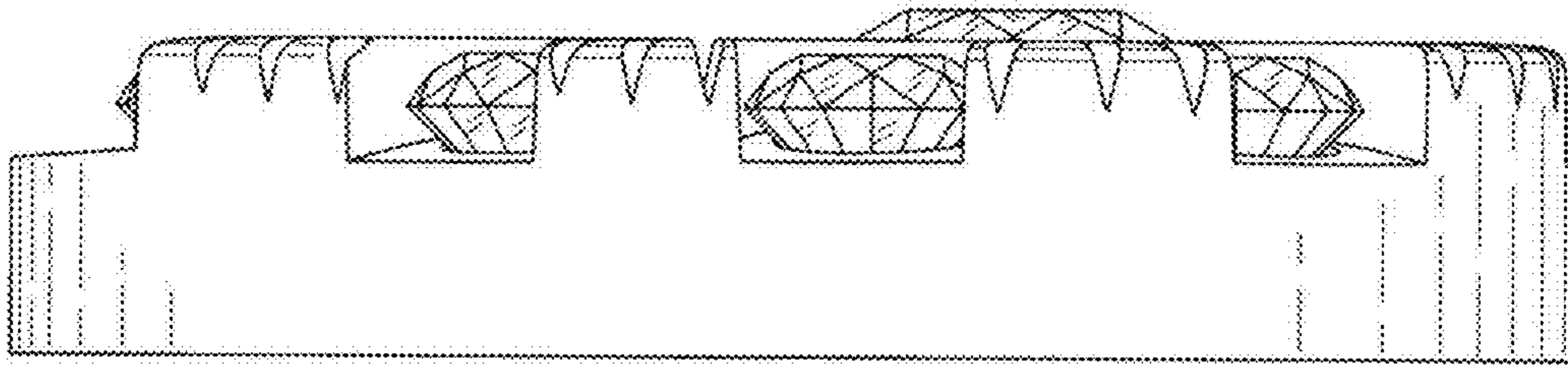


FIG. 6

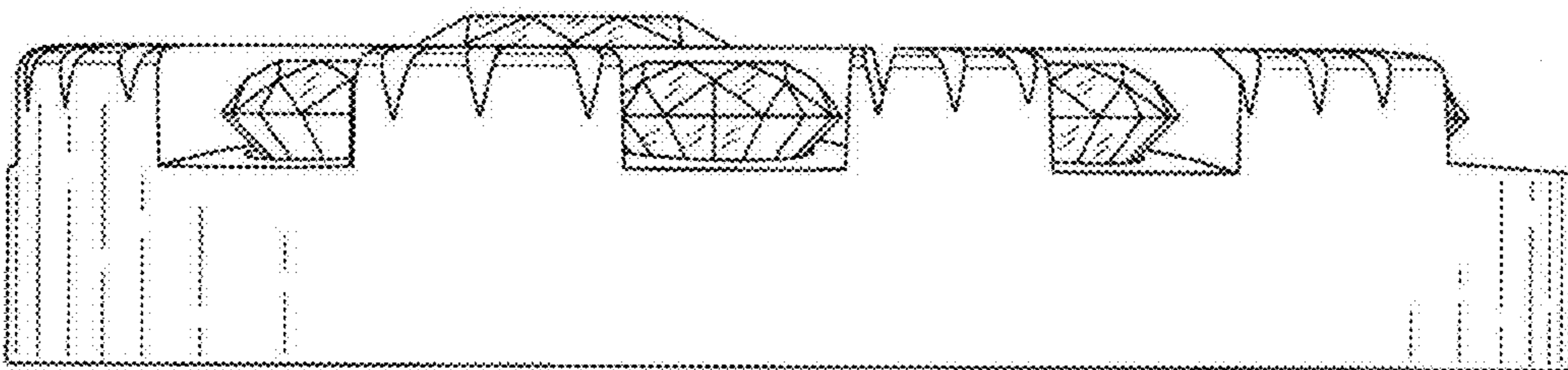


FIG. 7