



US00D946449S

(12) **United States Design Patent**  
**McLear et al.**

(10) **Patent No.:** **US D946,449 S**

(45) **Date of Patent:** **\*\* \*Mar. 22, 2022**

(54) **WEARABLE FINGER RING DEVICE**

G07F 7/1016; G06Q 20/40975; G06K  
19/0774; H01Q 1/27; A47Q 21/16; A47Q  
21/00

(71) Applicant: **MTG Co., Ltd.**, Aichi (JP)

See application file for complete search history.

(72) Inventors: **John McLear**, West Yorkshire (GB);  
**Stuart Childs**, West Yorkshire (GB)

(56) **References Cited**

(73) Assignee: **MTG Co., Ltd.**, Aichi (JP)

U.S. PATENT DOCUMENTS

(\*) Notice: This patent is subject to a terminal dis-  
claimer.

404,956 A \* 6/1889 Burdon ..... A44C 9/00  
63/15  
D29,797 S \* 12/1898 Pratt ..... D23/262

(\*\*) Term: **15 Years**

(Continued)

(21) Appl. No.: **29/618,269**

OTHER PUBLICATIONS

(22) Filed: **Sep. 20, 2017**

[Online] "opn" <https://store.nfcring.com/products/opn?variant=500585234433>. Retrieved Nov. 21, 2020.\*

(30) **Foreign Application Priority Data**

(Continued)

May 31, 2017 (JP) ..... 2017-011639

(51) **LOC (13) Cl.** ..... **11-01**

(52) **U.S. Cl.**

USPC ..... **D11/26**

(58) **Field of Classification Search**

USPC ..... D11/1-12, 26-39, 91, 92; D8/262, 367,  
D8/382, 396, 399, 18; D7/633;  
D23/266, 262; D14/344

CPC ..... A44C 5/00; A44C 5/0007; A44C 5/0023;  
A44C 5/003; A44C 5/0038; A44C  
5/0046; A44C 5/0053; A44C 5/0061;  
A44C 5/0069; A44C 5/0076; A44C  
5/0084; A44C 5/0092; A44C 5/02; A44C  
5/022; A44C 5/025; A44C 5/027; A44C  
9/00; A44C 9/0007; A44C 9/0015; A44C  
9/0023; A44C 9/003; A44C 9/0038; A44C  
9/0046; A44C 9/0053; A44C 9/0061;  
A44C 9/0069; A44C 9/0076; A44C  
9/0084; A44C 9/0092; A44C 9/02; A44C  
17/02; A44C 17/0208; A44C 17/0215;  
A44C 17/0225; A44C 17/0233; A44C  
17/0241; A44C 17/025; A44C 17/0258;  
A44C 17/0266; A44C 17/0275; A44C  
17/0283; A44C 17/0291; A44C 27/001;

*Primary Examiner* — Melanie Pellegrini

(74) *Attorney, Agent, or Firm* — Muncy, Geissler, Olds &  
Lowe, P.C.

(57) **CLAIM**

The ornamental design for a wearable finger ring device, as  
shown and described.

**DESCRIPTION**

FIG. 1 is a perspective view of a wearable finger ring device  
showing our new design;

FIG. 2 is a front elevational view thereof;

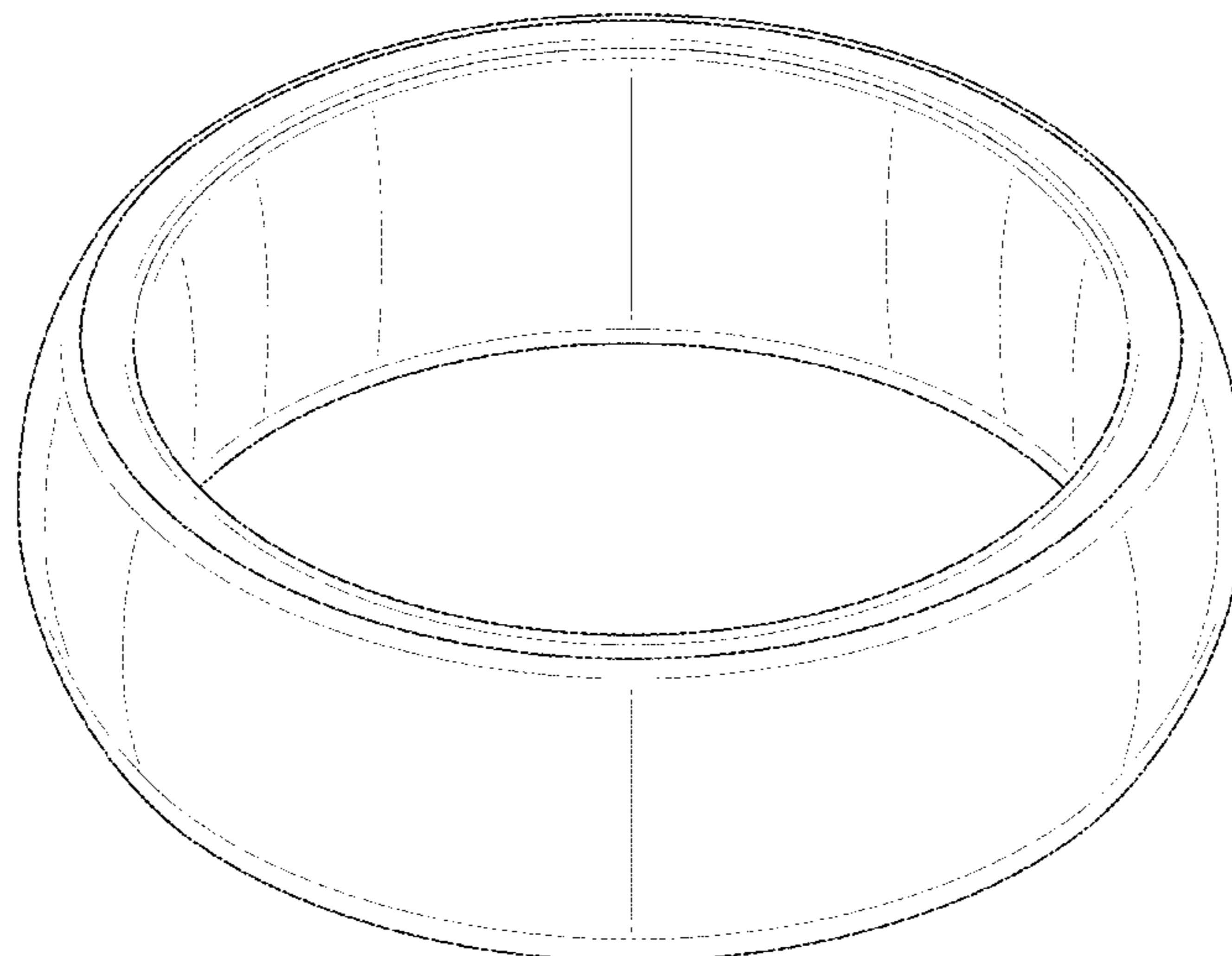
FIG. 3 is a rear elevational view thereof, the left side  
elevational view and right side elevational views being  
identical thereto;

FIG. 4 is a top plan view thereof, the bottom plan view being  
identical thereto; and,

FIG. 5 is a cross-sectional view taken along line 5-5 of FIG.  
2.

The broken lines illustrate portions of the wearable finger  
ring device which form no part of the claimed design.

**1 Claim, 5 Drawing Sheets**



(56)

References Cited

U.S. PATENT DOCUMENTS

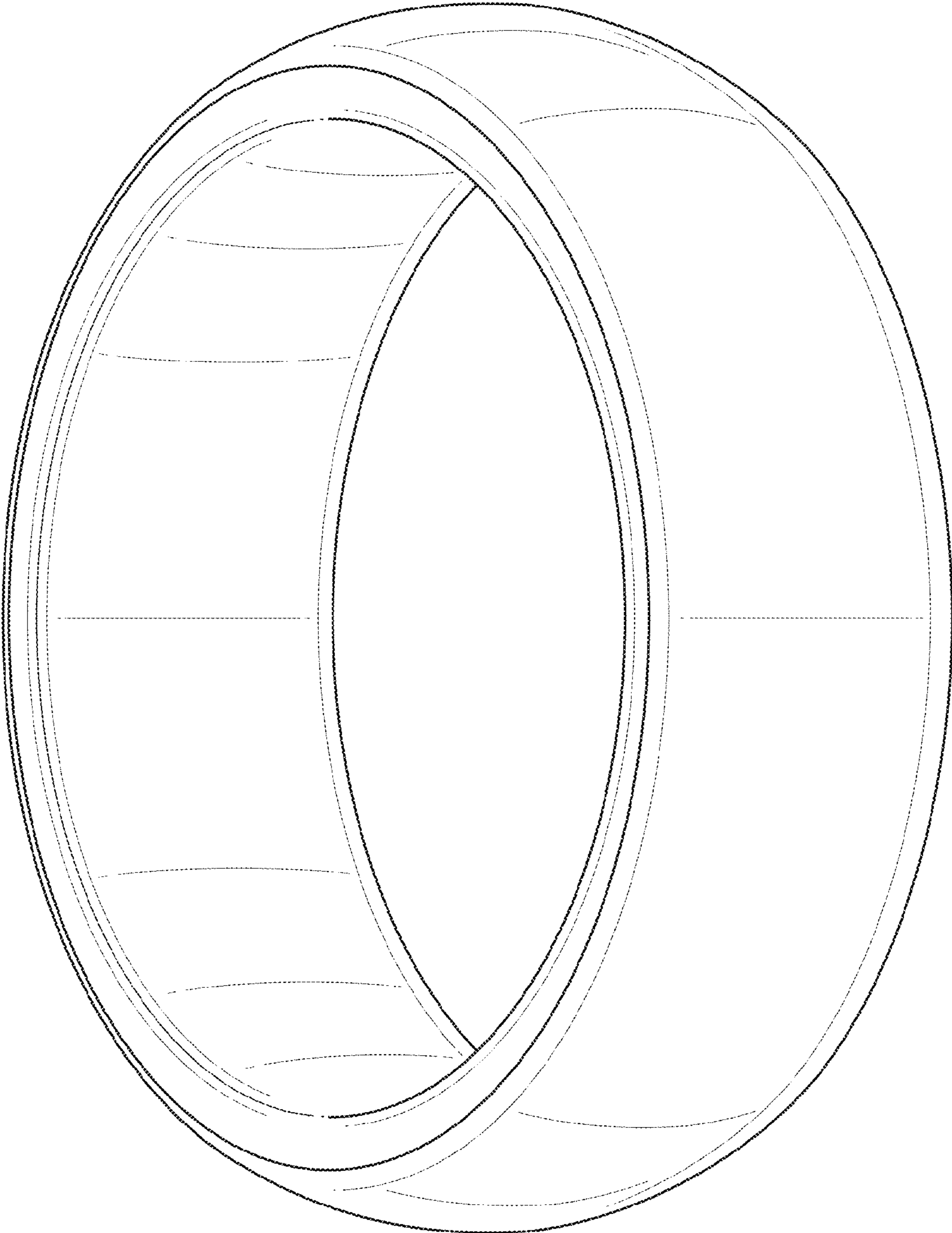
D33,674 S \* 12/1900 Bliss, Jr. .... D11/4  
 D44,543 S \* 8/1913 Robbins ..... D11/4  
 D44,545 S \* 8/1913 Robbins ..... D11/4  
 D99,688 S \* 5/1936 Tomlinson ..... D11/39  
 D173,197 S \* 10/1954 Gittler ..... D11/38  
 D203,551 S \* 1/1966 Tranfield ..... D11/26  
 3,790,775 A \* 2/1974 Rosenblatt ..... A44C 5/00  
 362/104  
 4,307,502 A \* 12/1981 Scola ..... A44C 9/0023  
 29/896.412  
 D285,275 S \* 8/1986 Pollitz ..... D7/633  
 D300,731 S \* 4/1989 Flinchbaugh ..... D11/26  
 D331,724 S \* 12/1992 Klein ..... D11/26  
 5,483,808 A \* 1/1996 Barbazza ..... A44C 9/003  
 63/15.4  
 D376,556 S \* 12/1996 Indorf ..... D11/29  
 5,701,765 A \* 12/1997 Cerqua ..... A44C 9/003  
 63/15  
 6,116,053 A \* 9/2000 Siebenberg ..... A44C 9/00  
 63/15  
 D442,509 S \* 5/2001 Yamanaka ..... D11/26  
 D488,086 S \* 4/2004 Schubach ..... D11/26  
 D531,077 S \* 10/2006 Waldmann ..... D11/39  
 D541,693 S \* 5/2007 Skuza ..... D11/39  
 D562,174 S \* 2/2008 Miller ..... D11/34  
 D562,175 S \* 2/2008 Miller ..... D11/35  
 D587,157 S \* 2/2009 Hawk ..... D11/26  
 D591,557 S \* 5/2009 Bodum ..... D7/387  
 7,836,726 B2 \* 11/2010 Picardi ..... A44C 9/003  
 63/15.1  
 D642,633 S \* 8/2011 Walterscheid ..... D21/444  
 D692,790 S \* 11/2013 Goerges ..... D11/3  
 D734,329 S \* 7/2015 Lee ..... D14/344  
 D750,994 S \* 3/2016 Baker ..... D11/26  
 D751,447 S \* 3/2016 Baker ..... D11/26  
 D751,448 S \* 3/2016 Baker ..... D11/26  
 D754,356 S \* 4/2016 Lee ..... D24/187  
 D780,615 S \* 3/2017 Baker ..... D11/26  
 D784,182 S \* 4/2017 Baker ..... D11/26  
 D787,363 S \* 5/2017 Faught ..... D11/26  
 D789,231 S \* 6/2017 Baker ..... D11/26  
 D789,232 S \* 6/2017 Baker ..... D11/26  
 D791,764 S \* 7/2017 von Badinski ..... D14/344  
 D791,765 S \* 7/2017 von Badinski ..... D14/344  
 D801,848 S \* 11/2017 Rosenberg ..... D11/26  
 D804,471 S \* 12/2017 von Badinski ..... D14/344  
 D808,847 S \* 1/2018 Warren ..... D11/26  
 D822,920 S \* 7/2018 Woods ..... D30/160  
 D829,712 S \* 10/2018 Becker ..... D14/344  
 D835,540 S \* 12/2018 Bellisha ..... D11/39  
 D840,260 S \* 2/2019 Forster ..... D11/3  
 D844,600 S \* 4/2019 Choi ..... D14/344

D845,150 S \* 4/2019 Shlyakhturov ..... D10/46  
 10,349,709 B2 \* 7/2019 Jones ..... A44C 9/02  
 10,383,411 B2 \* 8/2019 Goodwin ..... B29C 45/14336  
 D880,339 S \* 4/2020 Fridman ..... D11/26  
 10,646,009 B2 \* 5/2020 Song ..... C22C 29/02  
 D885,962 S \* 6/2020 Jones ..... D11/26  
 D885,963 S \* 6/2020 Riviere ..... D11/26  
 D934,102 S \* 10/2021 Barnes ..... D11/26  
 2003/0137406 A1 \* 7/2003 Kaneda ..... H04M 1/03  
 340/388.1  
 2003/0221450 A1 \* 12/2003 Selinger ..... A44C 9/00  
 63/15  
 2006/0075781 A1 \* 4/2006 Kretchmer ..... A44C 5/22  
 63/5.1  
 2007/0151295 A1 \* 7/2007 Picardi ..... A44C 9/003  
 63/15.4  
 2008/0184738 A1 \* 8/2008 Smarsh ..... A44C 9/00  
 63/15  
 2009/0056373 A1 \* 3/2009 Czajka ..... A44C 9/0015  
 63/3  
 2009/0293541 A1 \* 12/2009 Webb ..... A44C 9/0015  
 63/3  
 2010/0329084 A1 \* 12/2010 Mo ..... G04B 47/046  
 368/285  
 2011/0296873 A1 \* 12/2011 Derrig ..... A44C 27/006  
 63/15  
 2012/0304692 A1 \* 12/2012 Derrig ..... C23C 14/00  
 63/12  
 2012/0308844 A1 \* 12/2012 Derrig ..... A44B 15/005  
 428/627  
 2014/0326022 A1 \* 11/2014 Tosyali ..... A44C 9/02  
 63/15.1  
 2015/0185852 A1 \* 7/2015 Guo ..... G06F 3/017  
 345/156  
 2015/0220109 A1 \* 8/2015 von Badinski .... G02B 19/0052  
 340/539.12  
 2016/0345692 A1 \* 12/2016 Baker ..... B29C 43/203  
 2018/0035768 A1 \* 2/2018 Goodwin ..... B29C 45/16  
 2018/0199681 A1 \* 7/2018 Baker ..... A44C 9/00  
 2018/0201053 A1 \* 7/2018 Graziano ..... A44C 9/00  
 2018/0289117 A1 \* 10/2018 Guirguis ..... A44C 9/00  
 2018/0289118 A1 \* 10/2018 Guirguis ..... A44C 9/00  
 2018/0343989 A1 \* 12/2018 McLearn ..... A44C 27/00  
 2019/0005672 A1 \* 1/2019 McLearn ..... G06T 7/62  
 2019/0006742 A1 \* 1/2019 McLearn ..... H01Q 1/2225  
 2019/0116946 A1 \* 4/2019 Jones ..... A44C 9/00  
 2019/0150576 A1 \* 5/2019 Bellisha ..... A44C 9/00  
 2019/0355191 A1 \* 11/2019 Jones ..... G06K 19/0723

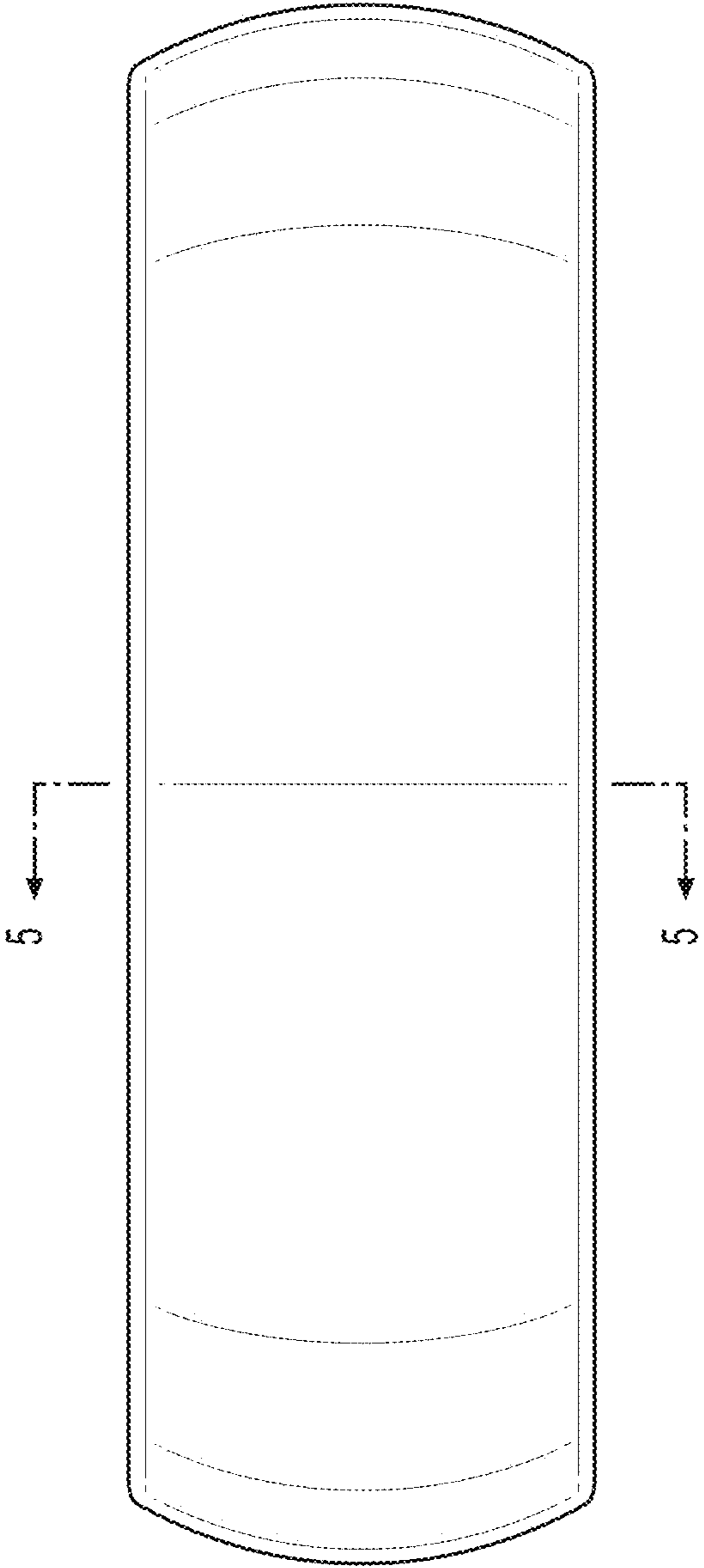
OTHER PUBLICATIONS

[Online] "Ringpay" <https://mclear.com/product/payment-ring/>. Retrieved Nov. 21, 2020.\*

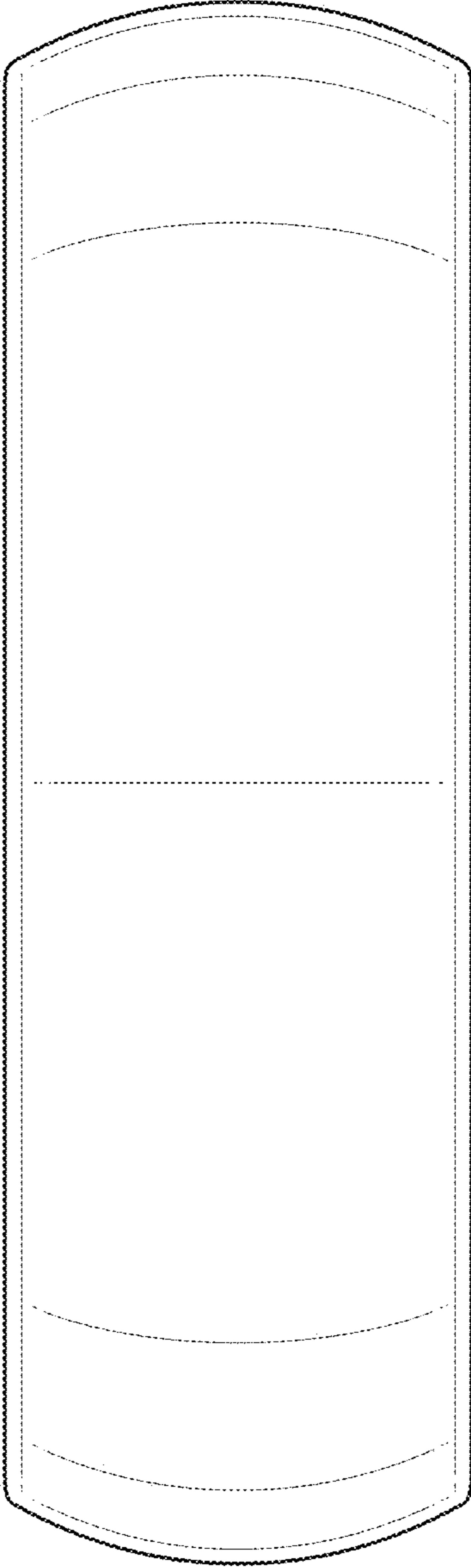
\* cited by examiner



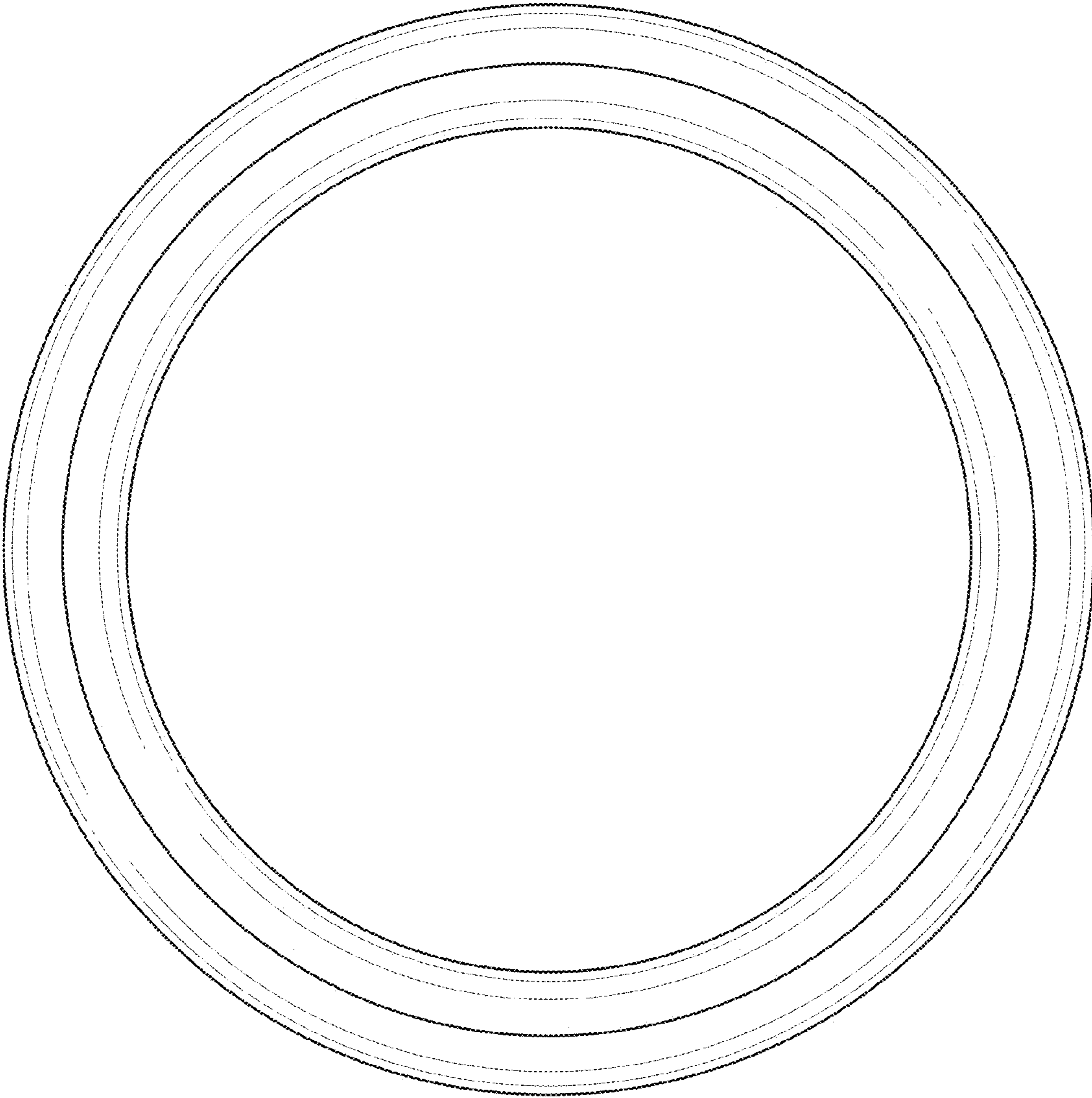
**FIG. 1**



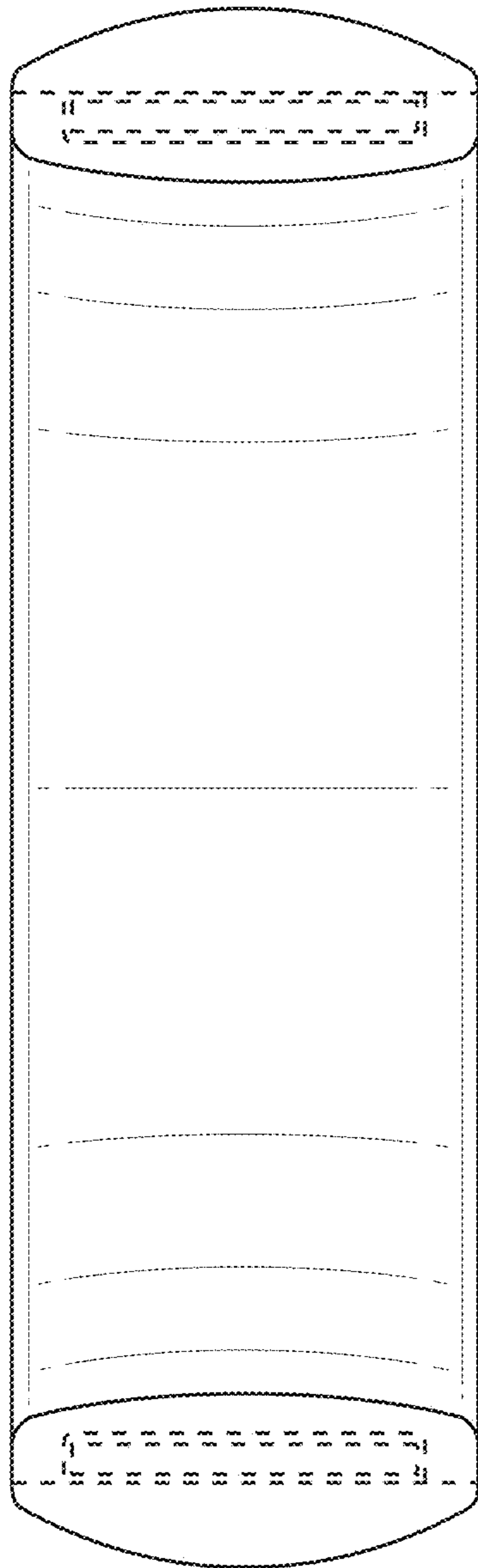
**FIG. 2**



**FIG. 3**



**FIG. 4**



**FIG. 5**