



US00D946446S

(12) **United States Design Patent**  
**Zheng**

(10) **Patent No.:** **US D946,446 S**

(45) **Date of Patent:** **\*\* Mar. 22, 2022**

(54) **WATCH STRAP**

OTHER PUBLICATIONS

(71) Applicant: **Fengying Zheng**, Yongzhou (CN)

FITA Sport Bands, for sale on Amazon.com since at least Aug. 19, 2020, online. Site visited on Mar. 10, 2021. Internet URL:<“https://www.amazon.com/FITA-Compatible-Waterproof-Replacement-Accessories/dp/B08G53LDKT”> (Year: 2020).\*

(72) Inventor: **Fengying Zheng**, Yongzhou (CN)

Recoppa for Apple Watch Strap, for sale on Amazon.com since at least Aug. 16, 2019, online. Site visited on Mar. 10, 2021. Internet URL:<“https://www.amazon.co.uk/Recoppa-Watch-Silicone-Replacement-Compatible/dp/B08L95PR1F”> (Year: 2019).\*

(\*\*) Term: **15 Years**

DYKEISS Sport Slim Silicone Band, for sale on Amazon.com since at least Oct. 8, 2019, online. Site visited on Mar. 10, 2021. Internet URL:<“https://www.amazon.com/DYKEISS-Silicone-Compatible-Replacement-Wristband/dp/B08HVJH188”> (Year: 2019).\*

(21) Appl. No.: **29/749,566**

SWEES Sport Band Compatible with iWatch, Amazon.com, earliest date available May 28, 2019, online. Site visited on Jun. 8, 2021. URL:<“https://www.amazon.com/SWEES-Compatible-38mm-Replacement-Wristband/dp/B07SC6DHM9”> (Year: 2019).\*

(22) Filed: **Sep. 7, 2020**

(51) **LOC (13) Cl.** ..... **11-03**

(52) **U.S. Cl.**

USPC ..... **D11/3**

(58) **Field of Classification Search**

USPC ..... D11/1-6; D10/30-32, 38, 70; D14/344;  
D24/167

CPC ..... A44C 5/00; A44C 5/0007; A44C 5/0015;  
A44C 5/0053; A44C 5/12; A44C 5/16;  
A44C 5/2052; G06F 1/163

See application file for complete search history.

\* cited by examiner

*Primary Examiner* — Llorellys Martinez

(56) **References Cited**

(57) **CLAIM**

The ornamental design for a watch strap, as shown and described.

U.S. PATENT DOCUMENTS

**DESCRIPTION**

D779,993 S *	2/2017	Akana	.....	D11/3
D800,007 S	10/2017	Tibi		
D805,643 S *	12/2017	Wu	.....	D24/167
D854,439 S	7/2019	Dukerschein et al.		
D863,095 S *	10/2019	Akana	.....	D11/3
D894,033 S *	8/2020	Zhang	.....	D11/3
D895,471 S *	9/2020	Zhang	.....	D11/3
D901,321 S *	11/2020	Riot	.....	D11/3
D901,322 S *	11/2020	Riot	.....	D11/3
D902,769 S *	11/2020	Riot	.....	D11/3
D903,663 S *	12/2020	Jones	.....	D14/344
D904,921 S *	12/2020	Chung	.....	D11/3
D909,225 S *	2/2021	Riot	.....	D11/3
D911,205 S *	2/2021	Chung	.....	D11/3
D912,665 S *	3/2021	Zhang	.....	D14/344

FIG. 1 is a perspective view of a watch strap showing my new design;

FIG. 2 is a front elevational view thereof;

FIG. 3 is a rear elevational view thereof;

FIG. 4 is a left side elevational view thereof;

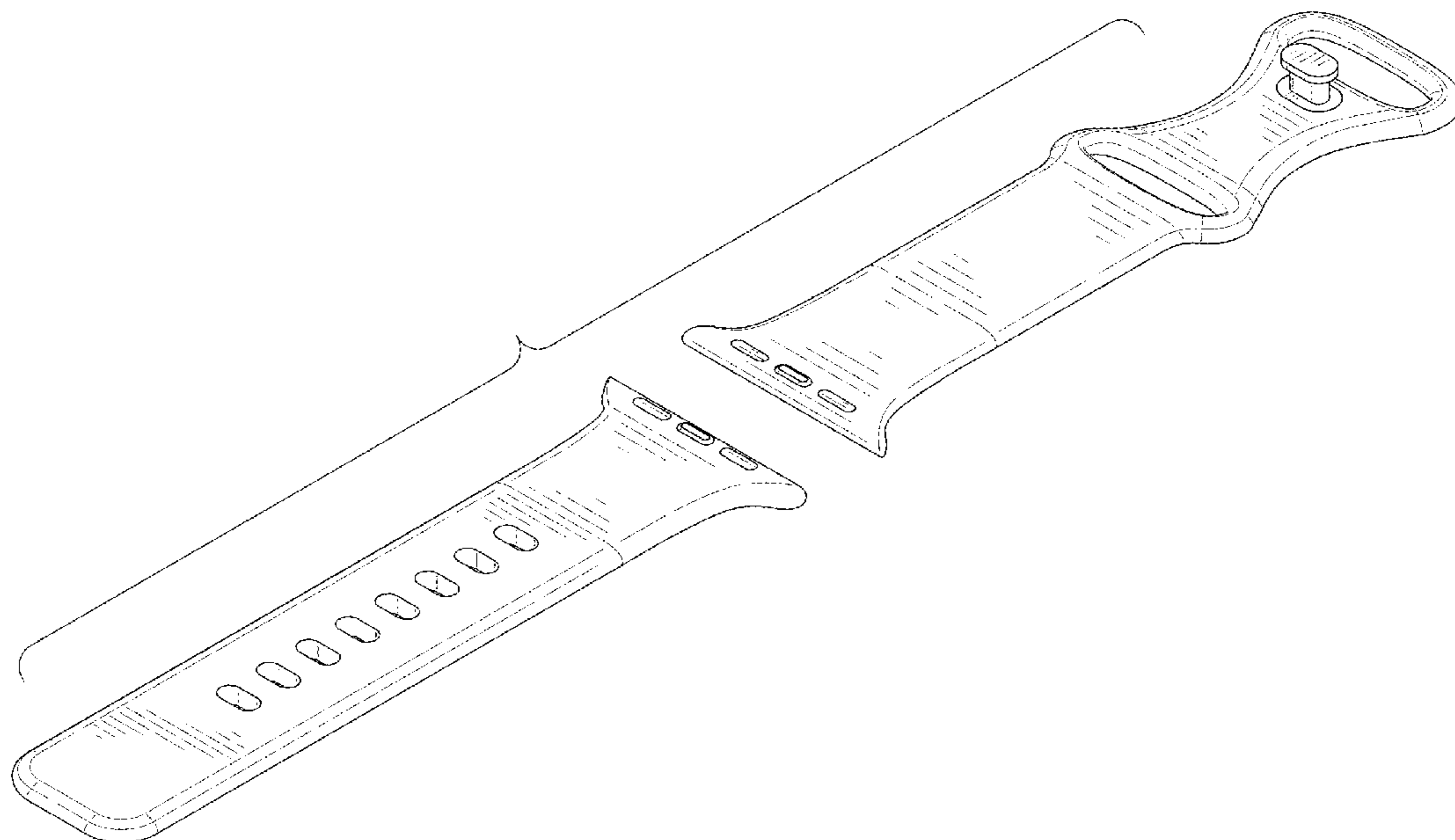
FIG. 5 is a right side elevational view thereof;

FIG. 6 is a top plan view thereof; and,

FIG. 7 is a bottom plan view thereof.

The broken lines in the drawings depict portions of the watch strap that form no part of the claimed design.

**1 Claim, 7 Drawing Sheets**



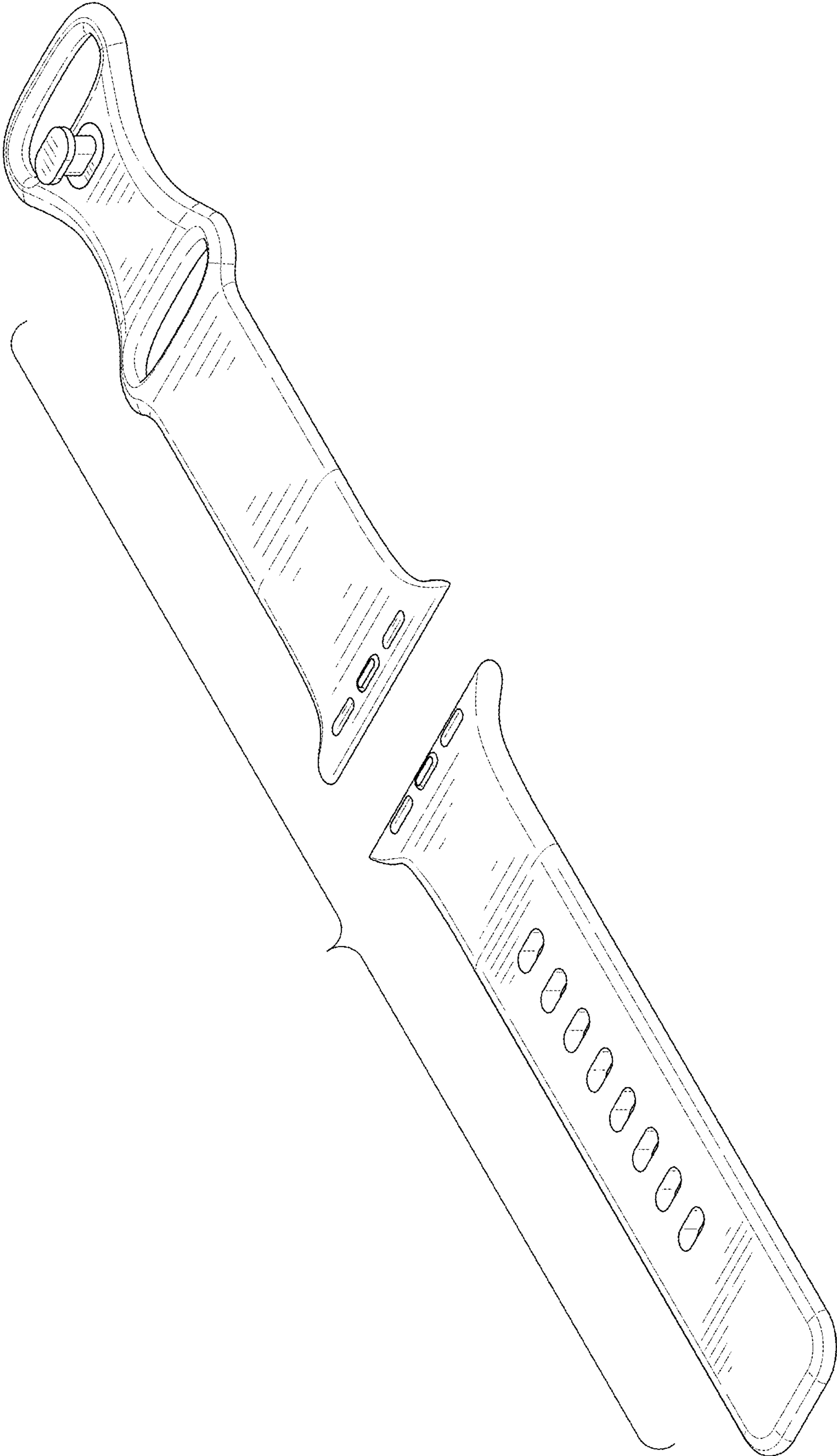


FIG. 1

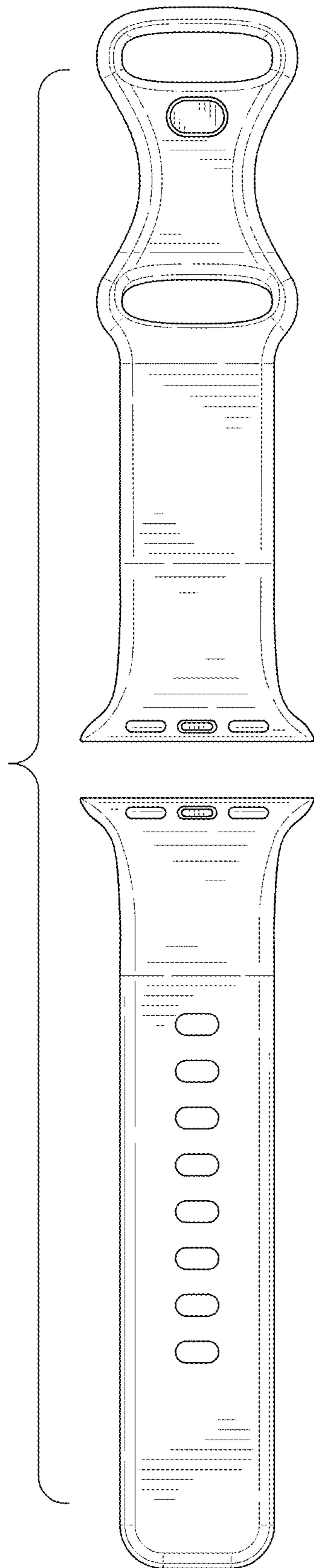


FIG. 2

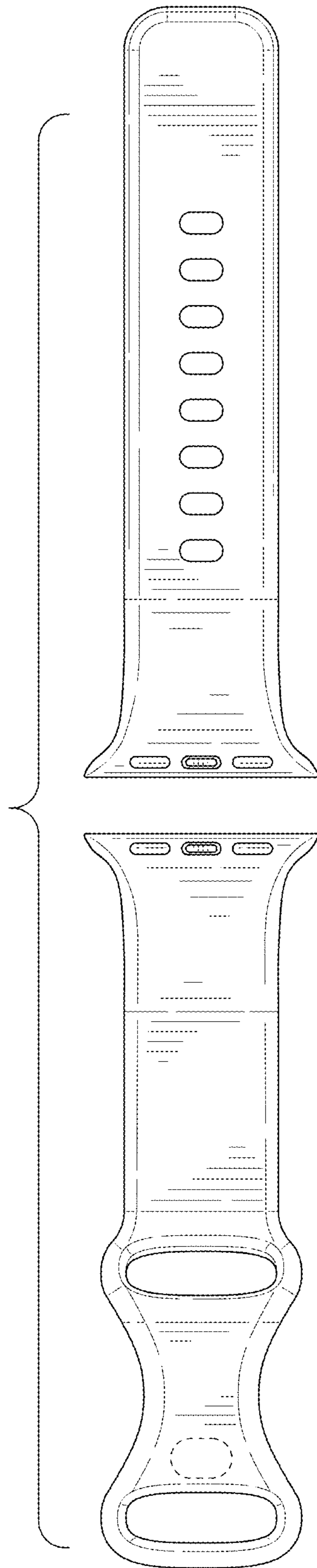


FIG. 3

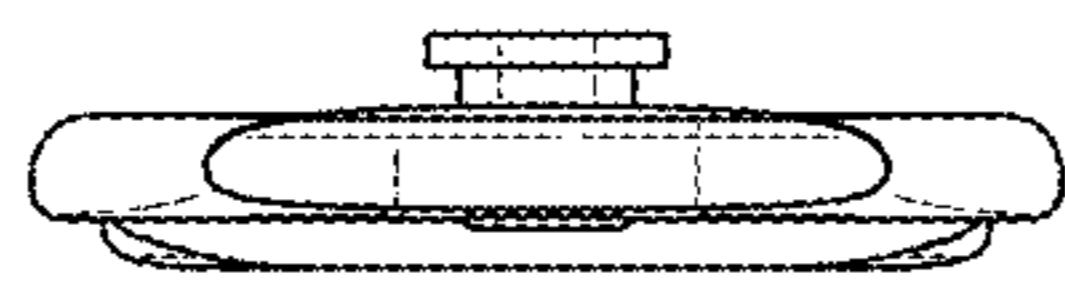


FIG. 4

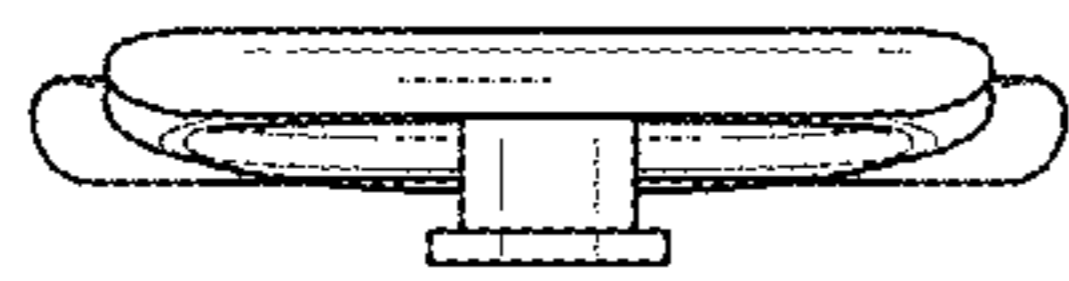


FIG. 5

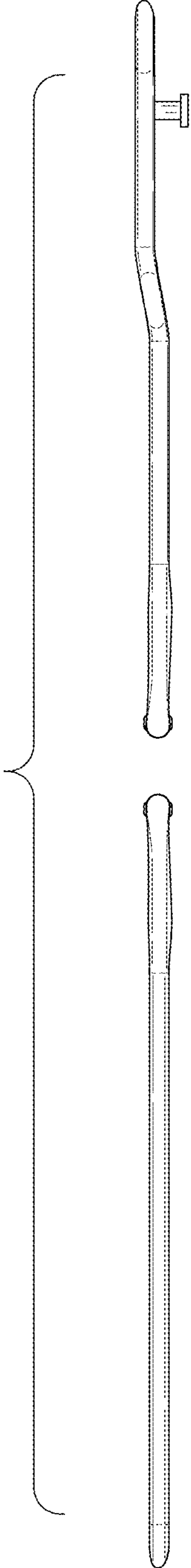


FIG. 6



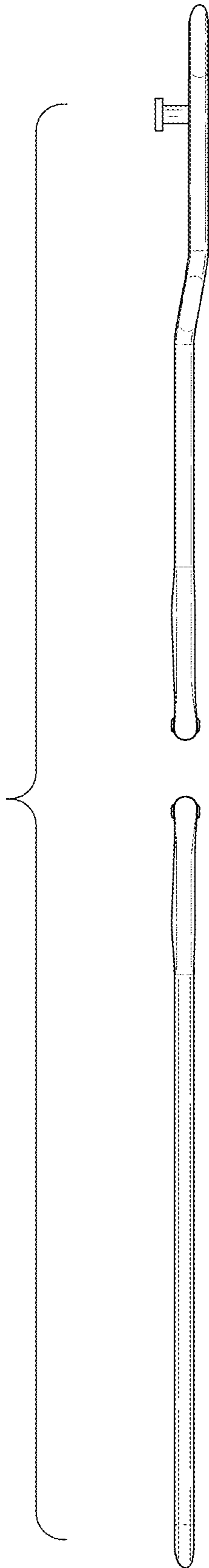


FIG. 7