



US00D946439S

(12) **United States Design Patent** (10) **Patent No.:** **US D946,439 S**
Barovic (45) **Date of Patent:** **** Mar. 22, 2022**

(54) **ELECTRONIC TRACKING DEVICE**
(71) Applicant: **Chipolo, d.o.o.**, Trbovlje (SI)
(72) Inventor: **Domen Barovic**, Trbovlje (SI)
(73) Assignee: **CHIPOLO, D.O.O.**, Trbovlje (SI)
(**) Term: **15 Years**
(21) Appl. No.: **29/727,961**
(22) Filed: **Mar. 14, 2020**
(51) **LOC (13) Cl.** **10-05**
(52) **U.S. Cl.**
USPC **D10/104.1**
(58) **Field of Classification Search**
USPC D10/104.1, 60, 70, 78, 104.2, 106.1,
D10/106.9, 106.91-106.94, 121; D3/207;
D11/79
CPC G01S 17/06; G01S 17/66; G06F 1/163;
G06F 3/011; G06Q 10/0833; G08B
21/028; G08B 21/0288; H04W 4/02;
H04W 4/029
See application file for complete search history.

(56) **References Cited**
U.S. PATENT DOCUMENTS
D219,316 S * 11/1970 Lohr D10/106.1
D236,977 S * 9/1975 Hocq D19/21
D325,357 S * 4/1992 Worthington D10/106.1
D356,969 S * 4/1995 Chui Lak Sang D10/106.1
D457,452 S * 5/2002 Christiansen D10/96
D459,262 S * 6/2002 Kurz D10/104.1
D489,016 S * 4/2004 Triginai D10/101

D496,294 S * 9/2004 Triginai F25B 45/00
D10/101
D712,292 S * 9/2014 Yang D10/106.1
D849,166 S * 5/2019 Dingman D21/756
D883,124 S * 5/2020 Martine D10/104.1
2018/0302753 A1* 10/2018 Langton G08B 21/0261

FOREIGN PATENT DOCUMENTS

CN 306660760 * 7/2021

* cited by examiner

Primary Examiner — George D. Kirschbaum
Assistant Examiner — Lillian Windham
(74) *Attorney, Agent, or Firm* — Van Court & Aldridge
LLP

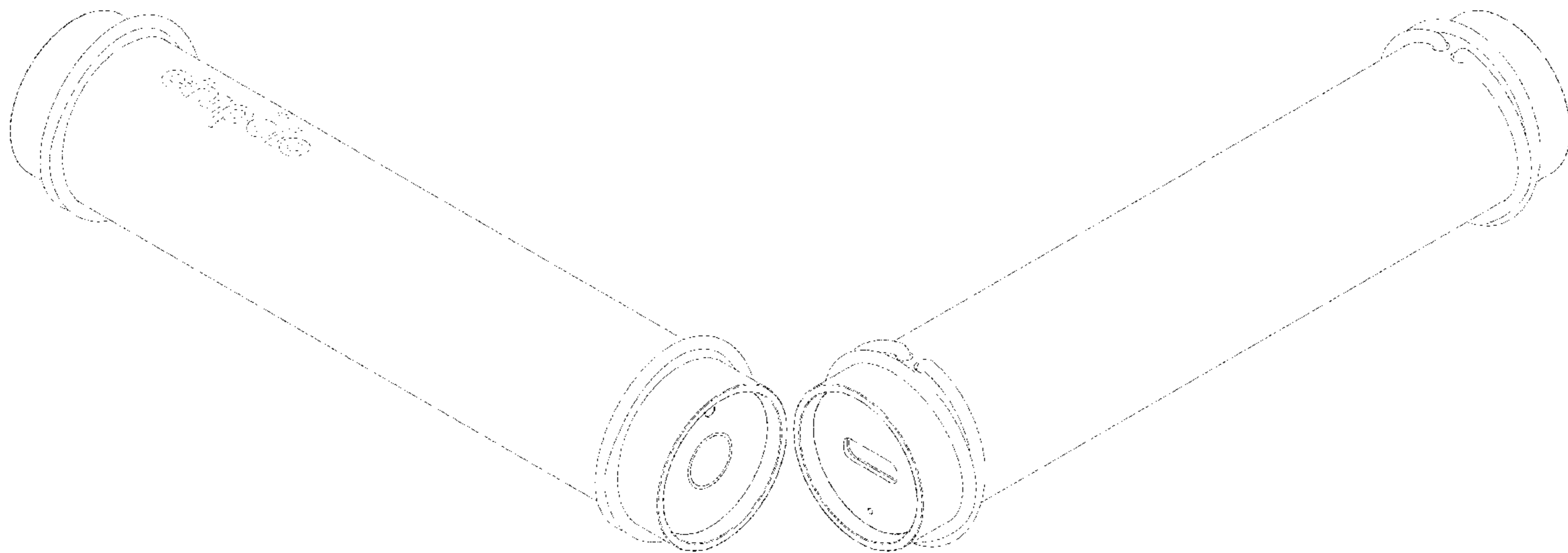
(57) **CLAIM**

The ornamental design for an electronic tracking device, as shown and described.

DESCRIPTION

FIG. 1 is a bottom, front, right side perspective view of an electronic tracking device according to my new design; FIG. 2 is a top, rear, left side perspective view thereof; FIG. 3 is a front view thereof; FIG. 4 is a rear view thereof; FIG. 5 is a left side view thereof; FIG. 6 is a right side view thereof; FIG. 7 is a top view thereof; and, FIG. 8 is a bottom view thereof. The broken line showing is included for the purpose of illustrating portions of the electronic tracking device and forms no part of the claimed design.

1 Claim, 8 Drawing Sheets



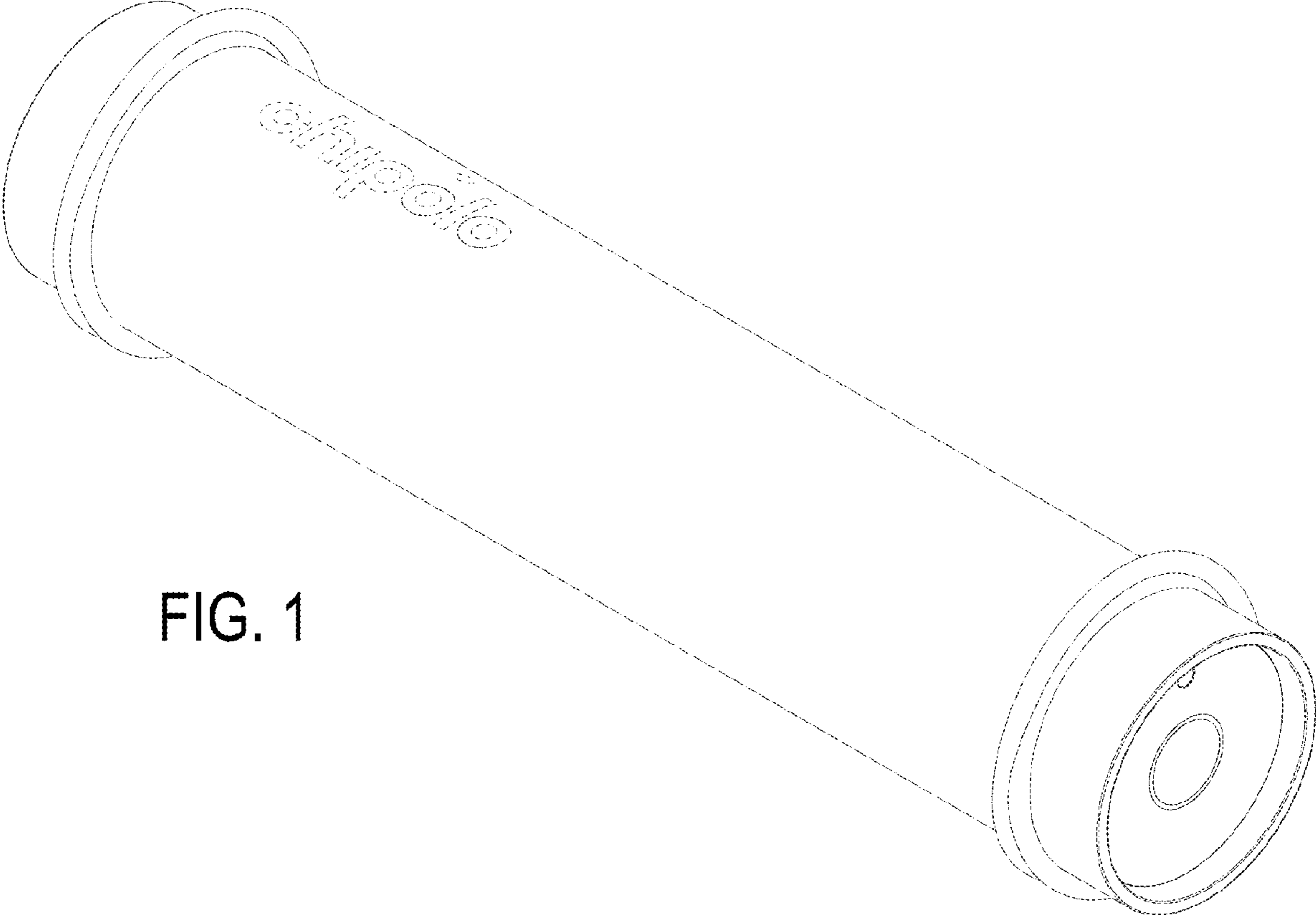


FIG. 1

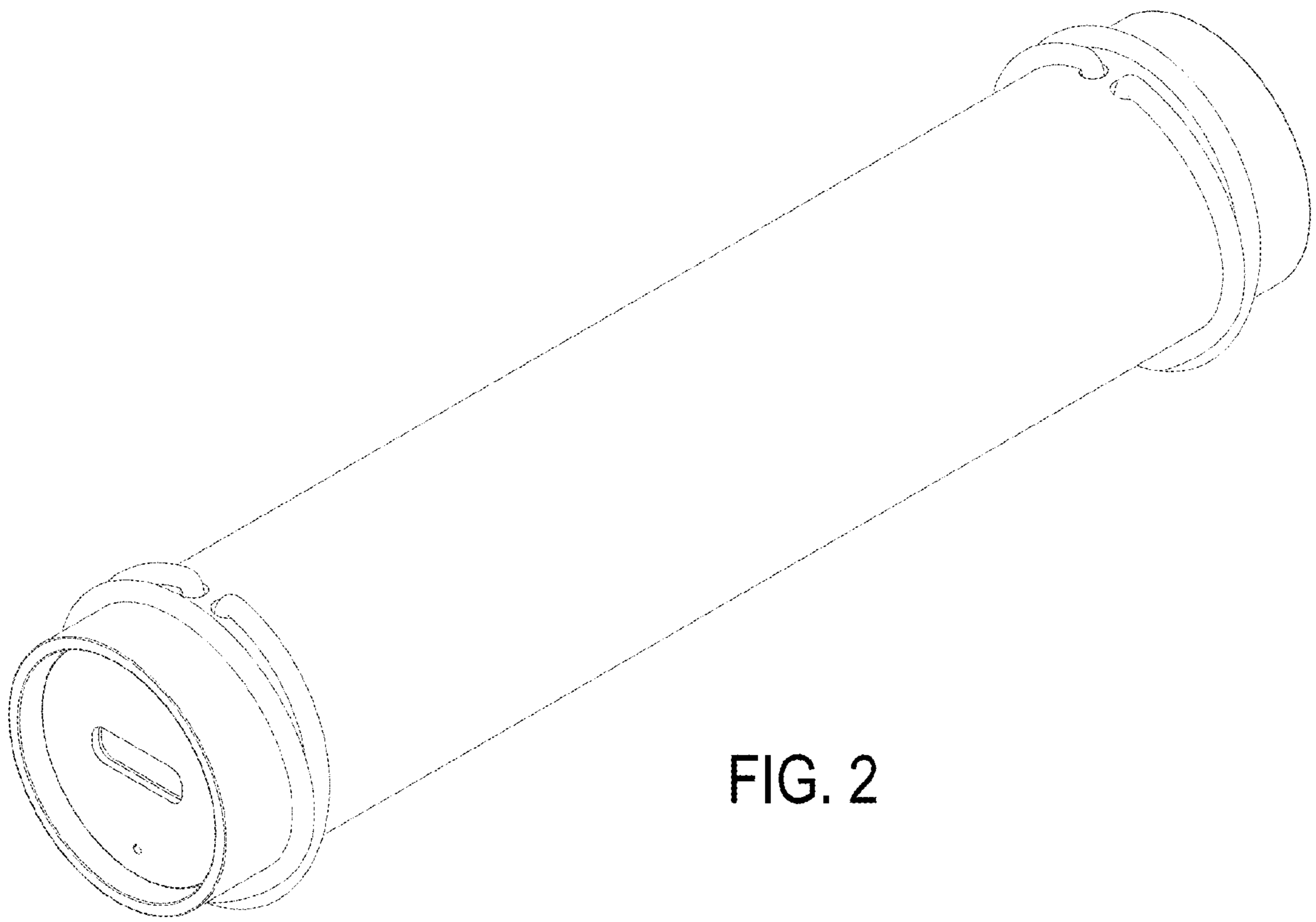


FIG. 2



FIG. 3



FIG. 4

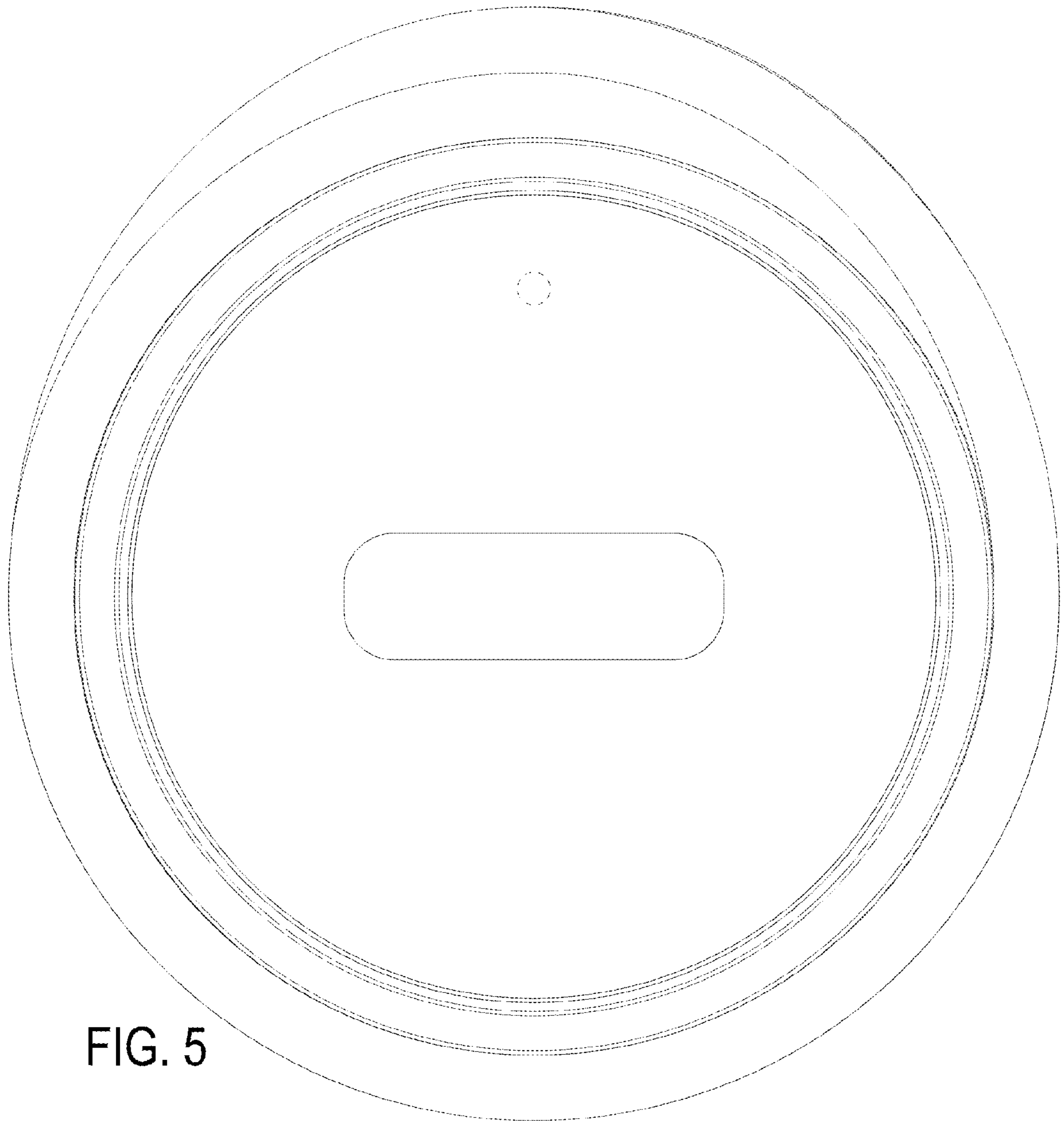


FIG. 5

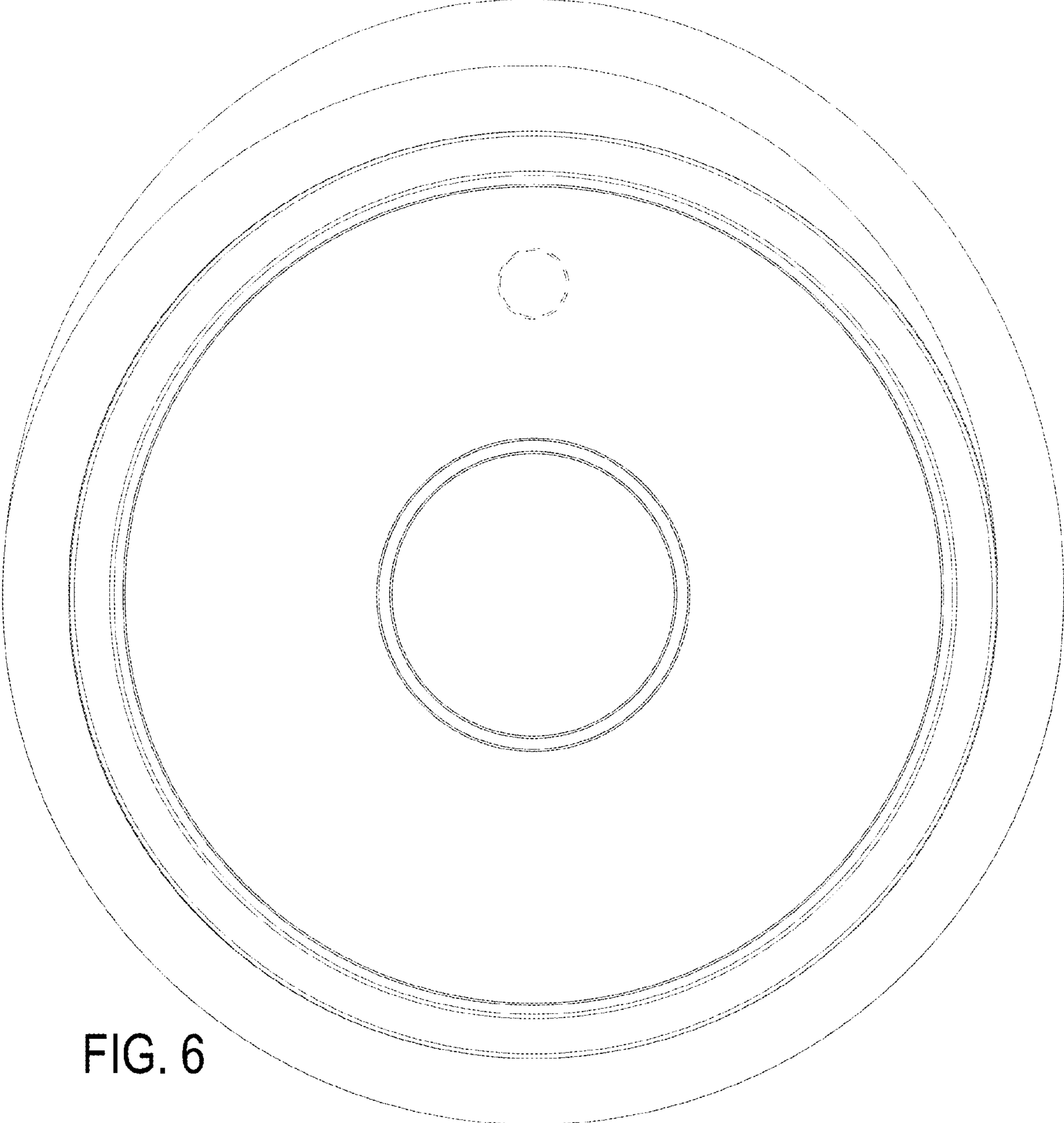


FIG. 6



FIG. 7



FIG. 8