



US00D946437S

(12) **United States Design Patent**
Ganim

(10) **Patent No.:** **US D946,437 S**

(45) **Date of Patent:** **** Mar. 22, 2022**

(54) **BATHTUB SAFETY DEVICE**

(71) Applicant: **Yasein Ganim**, Westlake, OH (US)

(72) Inventor: **Yasein Ganim**, Westlake, OH (US)

(**) Term: **15 Years**

(21) Appl. No.: **29/730,141**

(22) Filed: **Apr. 1, 2020**

(51) **LOC (13) Cl.** **10-04**

(52) **U.S. Cl.**
USPC **D10/101**

(58) **Field of Classification Search**
USPC D10/101, 46, 49, 96, 103; D23/200, 249,
D23/257, 261
CPC E03C 1/244
See application file for complete search history.

(56) **References Cited**

U.S. PATENT DOCUMENTS

- 438,465 A * 10/1890 Blessing E03C 1/244
4/687
- 953,754 A * 4/1910 Newton E03C 1/244
4/687
- 2,120,179 A * 6/1938 Heckert A47K 3/001
4/583
- D138,613 S * 8/1944 Patten D23/249
- D156,391 S * 12/1949 Wertheimer D10/49
- D164,453 S * 9/1951 Scully A47K 3/001
D10/46
- 3,075,203 A * 1/1963 Stafford E03C 1/244
4/680
- D195,226 S * 5/1963 Busillo D10/96
- D213,726 S * 4/1969 Lukas D10/101
- D254,656 S * 4/1980 Suwa E03C 1/244
D10/70
- D291,419 S * 8/1987 Linzer E03C 1/244
D10/103
- D368,514 S * 4/1996 Crepeau D23/261
- D387,295 S * 12/1997 Krikorian D10/101

- D396,014 S * 7/1998 Bigelow D10/96
- D488,399 S * 4/2004 Roszkowski D10/103
- D556,615 S * 12/2007 Sutherland D10/96
- D627,037 S * 11/2010 Glasser D23/250
- D658,342 S * 4/2012 Danak D32/25
- D718,646 S * 12/2014 Overmyer D10/81
- D722,964 S * 2/2015 Regole D13/108
- D818,975 S * 5/2018 Fournier D13/184
- D832,124 S * 10/2018 Lease D10/101
- D845,804 S * 4/2019 Williams D10/96
- D883,812 S * 5/2020 Grillotti D10/46
- D885,221 S * 5/2020 Huang D10/96
- D886,654 S * 6/2020 Wada D10/96
- D894,346 S * 8/2020 Brigham D23/260
- 2007/0261300 A1 * 11/2007 Korte E03C 1/244
47/71

(Continued)

Primary Examiner — George D. Kirschbaum
Assistant Examiner — Lillian Windham
(74) *Attorney, Agent, or Firm* — Alvin T. Rockhill

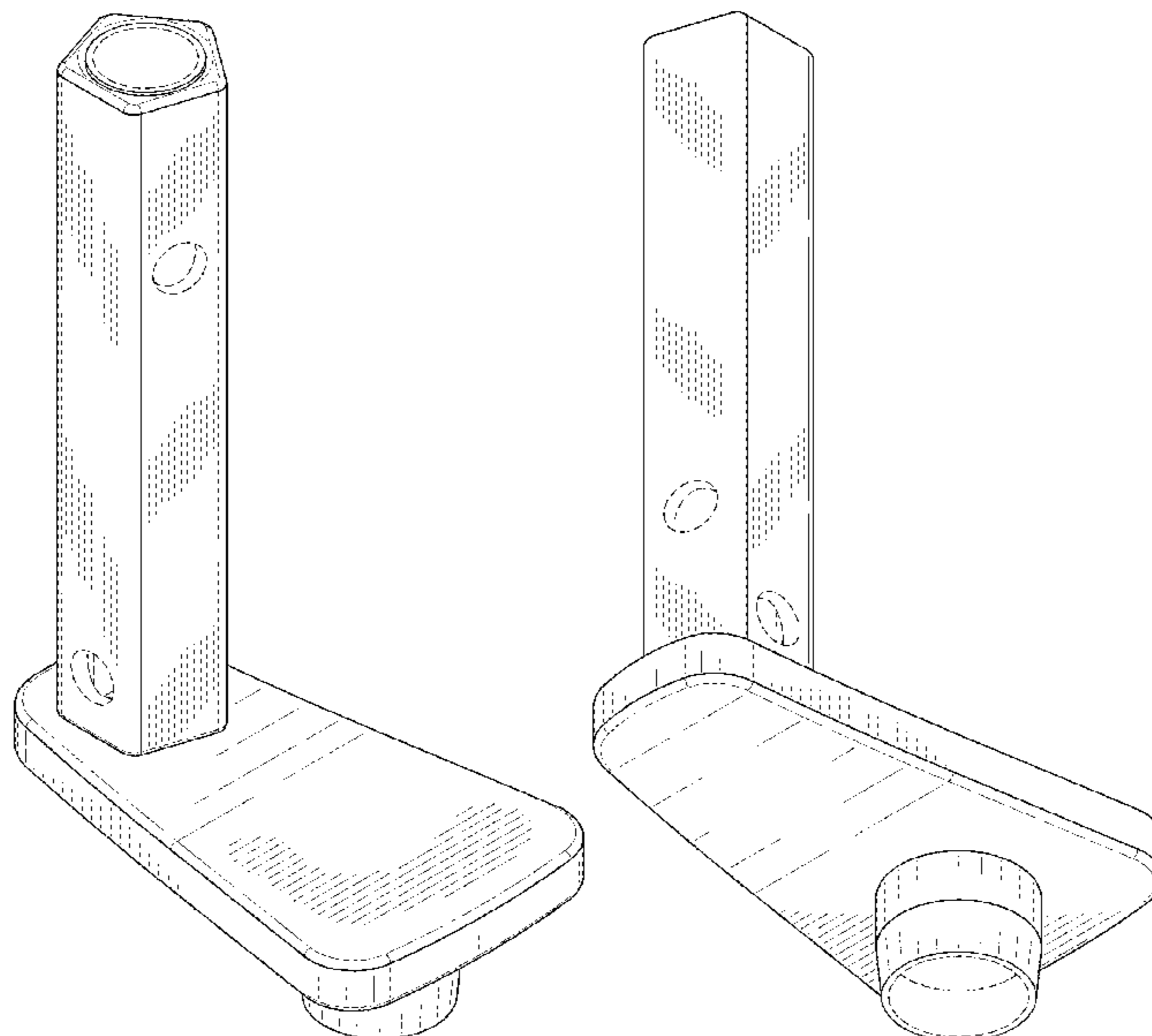
(57) **CLAIM**

The ornamental design for a bathtub safety device, as shown and described.

DESCRIPTION

FIG. 1 is a front perspective view of the bathtub safety device of this invention.
FIG. 2 is a bottom perspective view of the bathtub safety device.
FIG. 3 is a left side view of the bathtub safety device.
FIG. 4 is a right side view of the bathtub safety device.
FIG. 5 is a front view of the bathtub safety device.
FIG. 6 is a back view of the bathtub safety device.
FIG. 7 is a top view of the bathtub safety device; and,
FIG. 8 is a bottom view of the bathtub safety device.
The broken lines are for the purpose of illustrating portions of the bathtub safety device that form no part of the claimed design.

1 Claim, 6 Drawing Sheets



(56)

References Cited

U.S. PATENT DOCUMENTS

2014/0366266 A1 * 12/2014 Malaguit, Jr. E03C 1/244
4/680

* cited by examiner

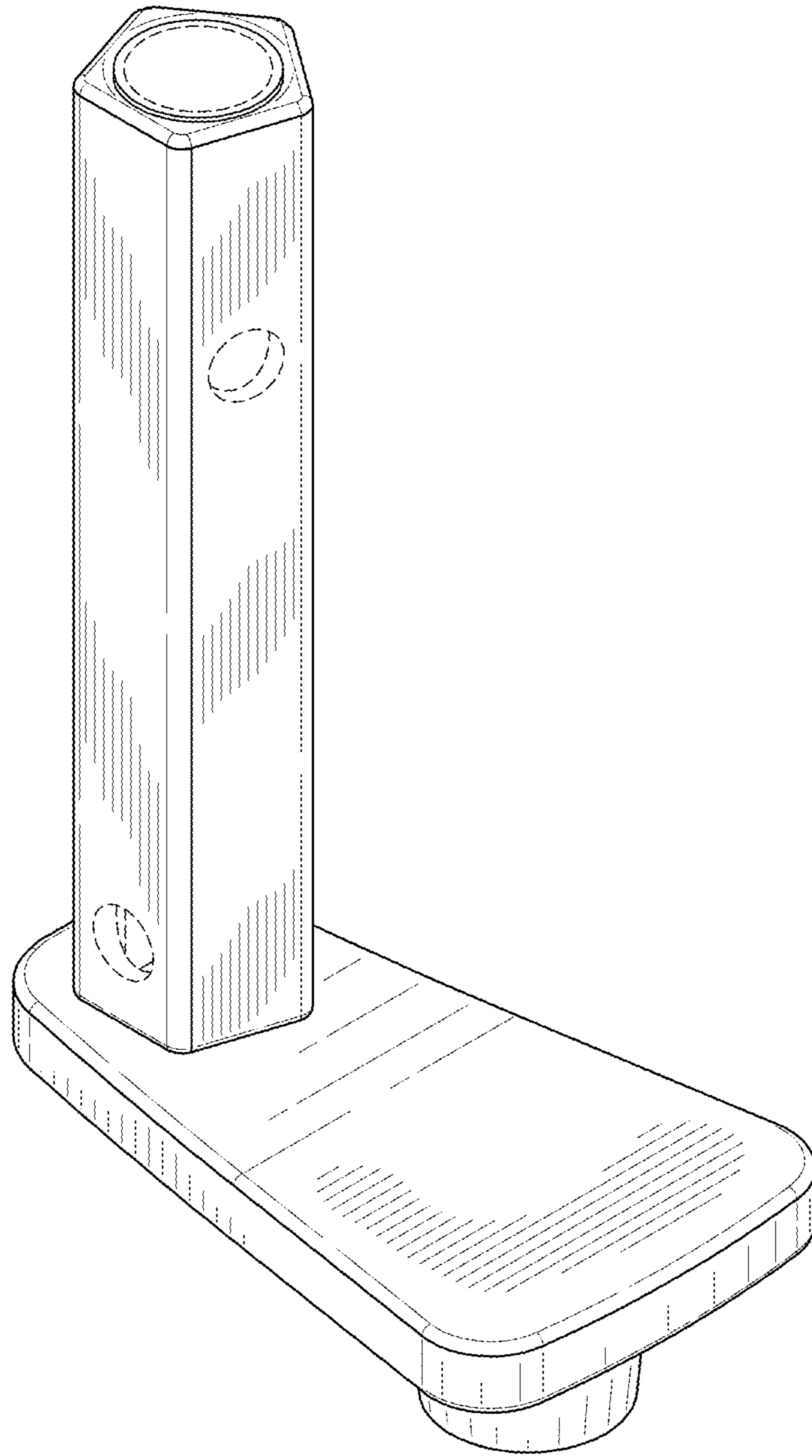


FIG-1

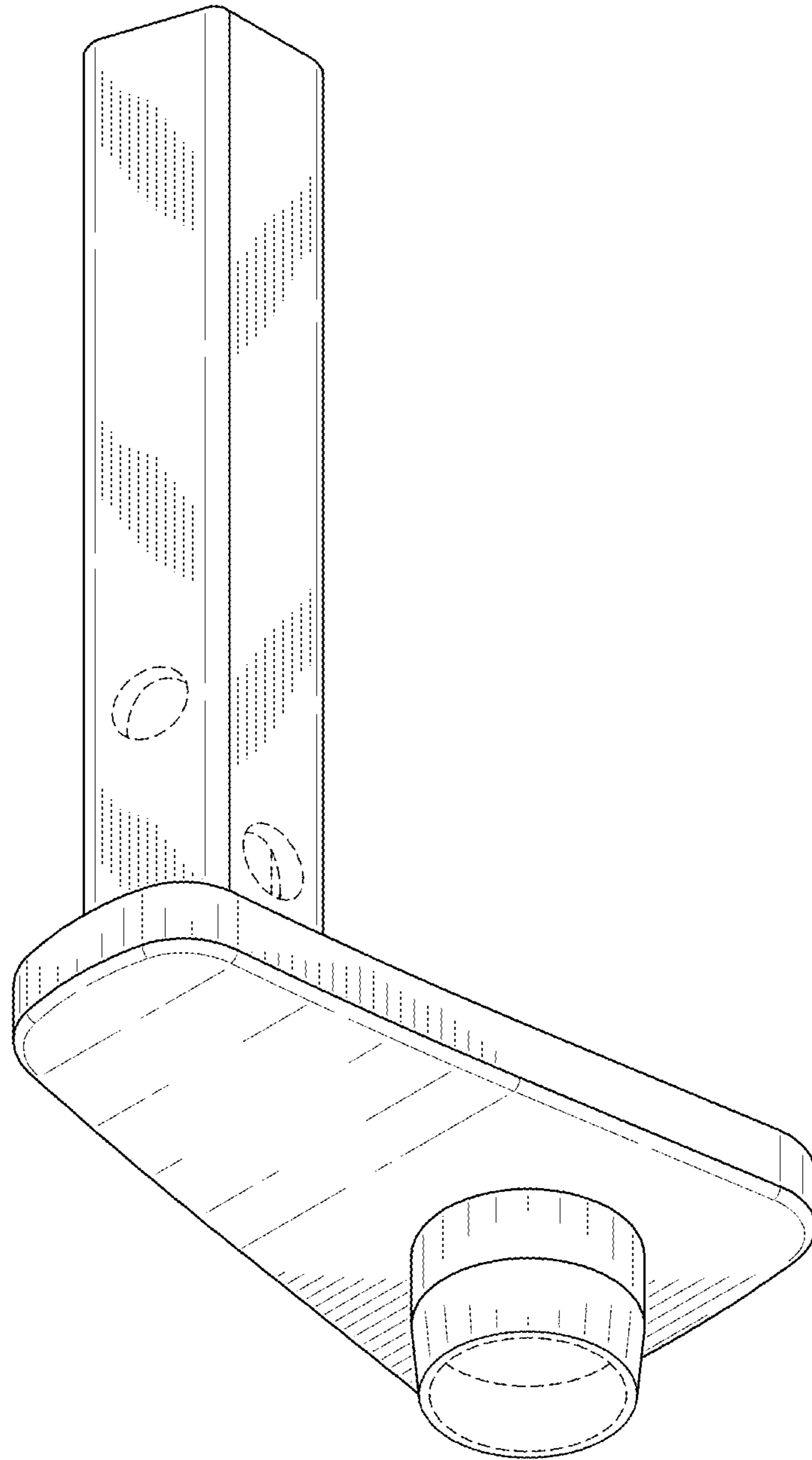


FIG-2

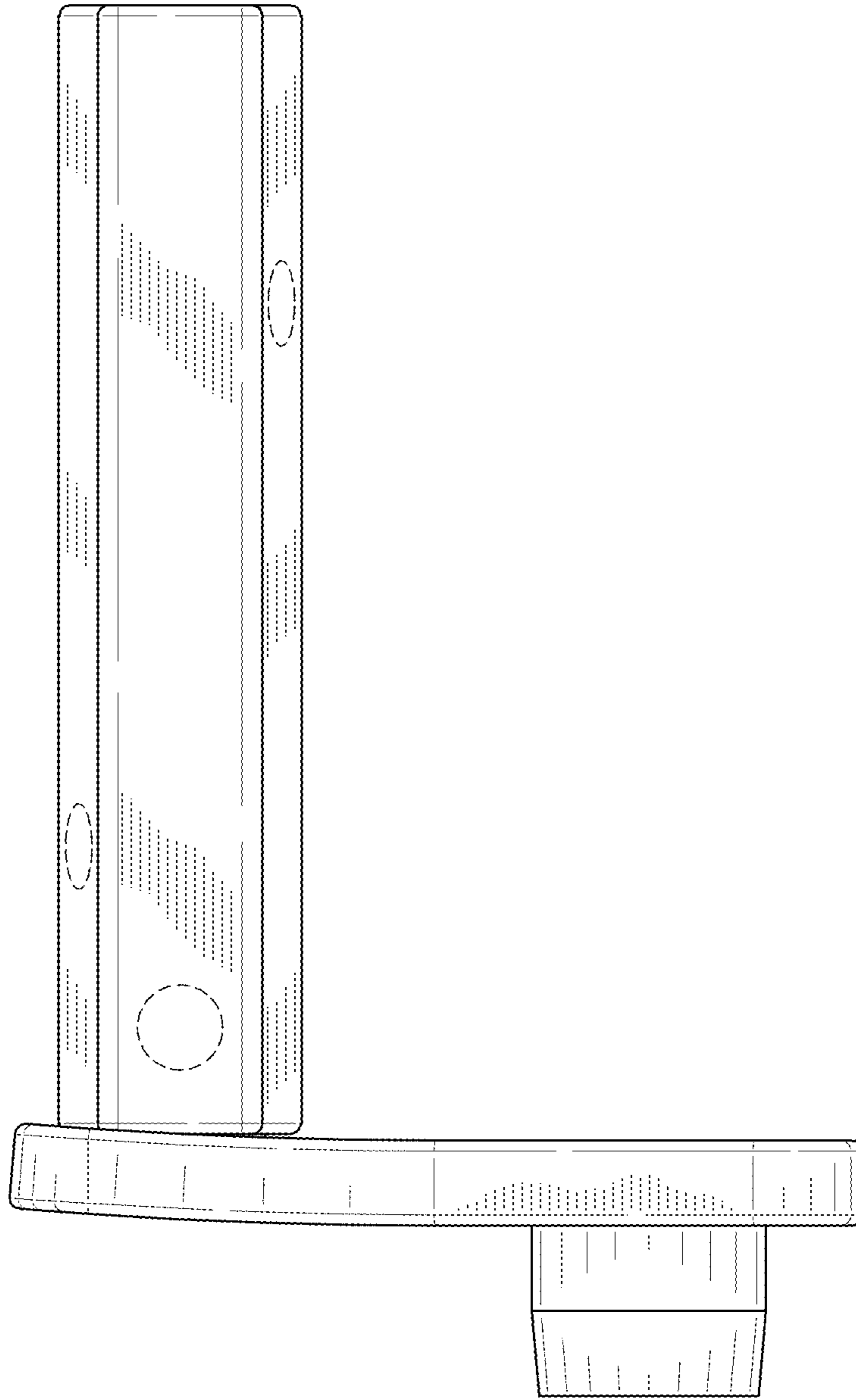


FIG-3

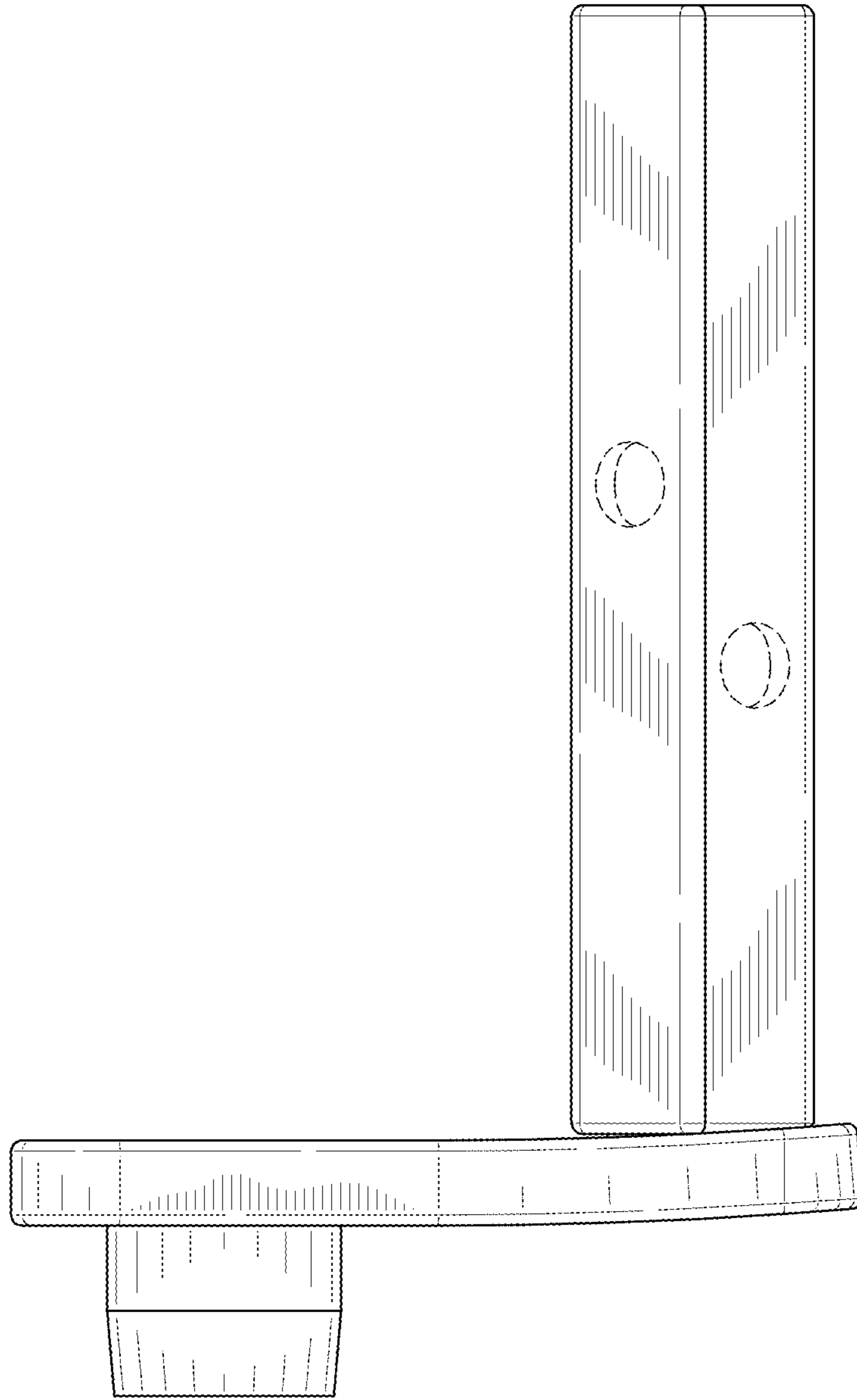


FIG-4

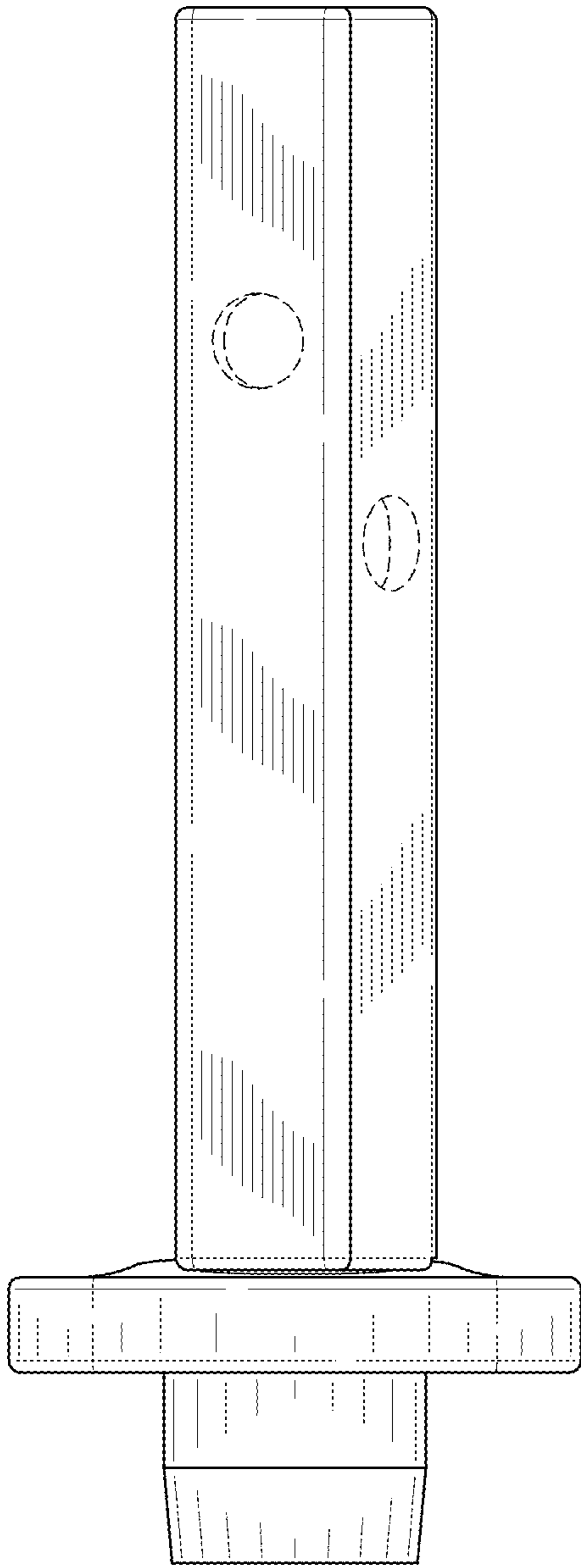


FIG-5

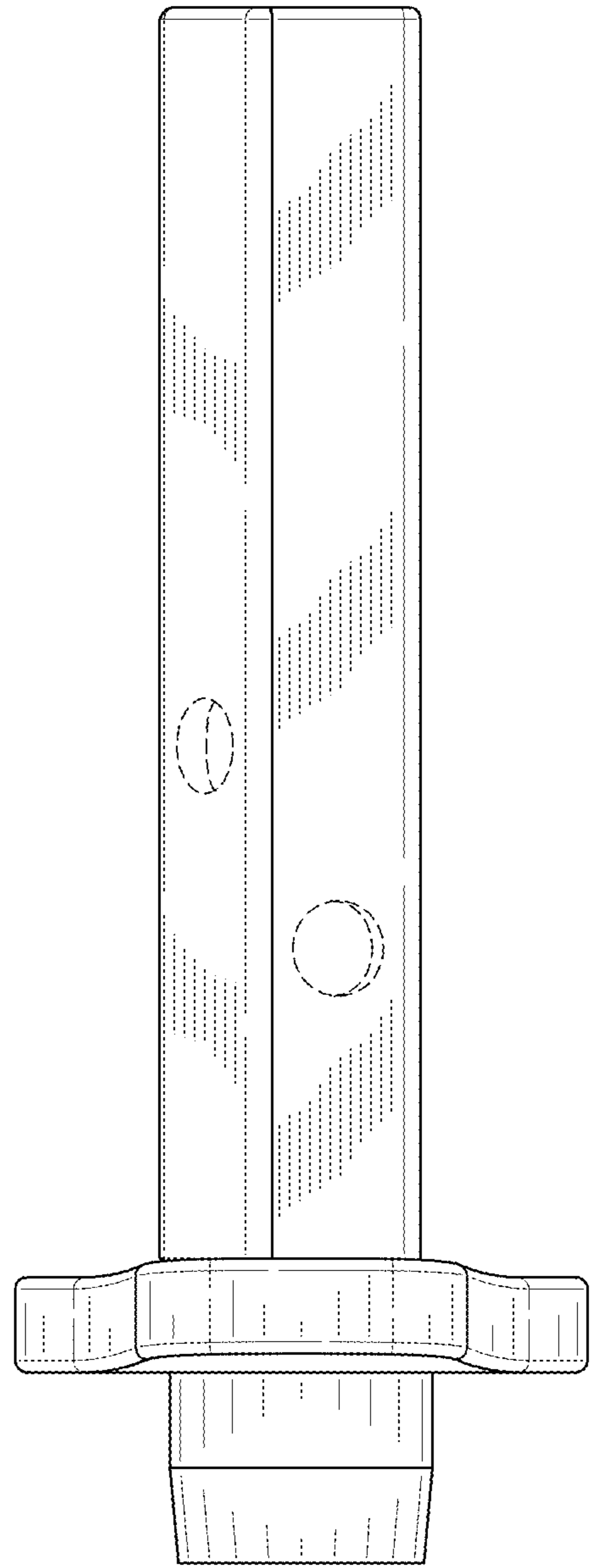


FIG-6

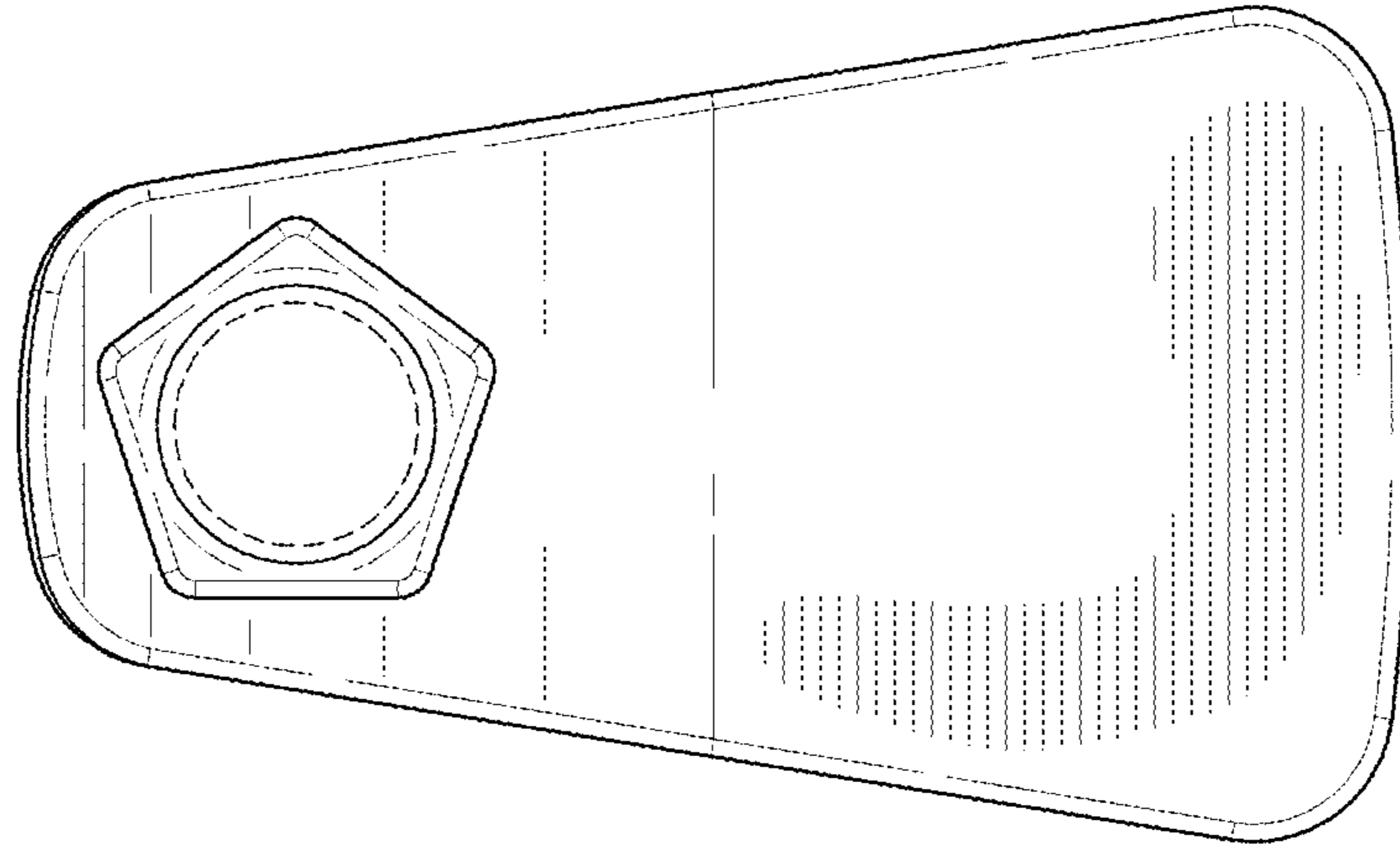


FIG-7

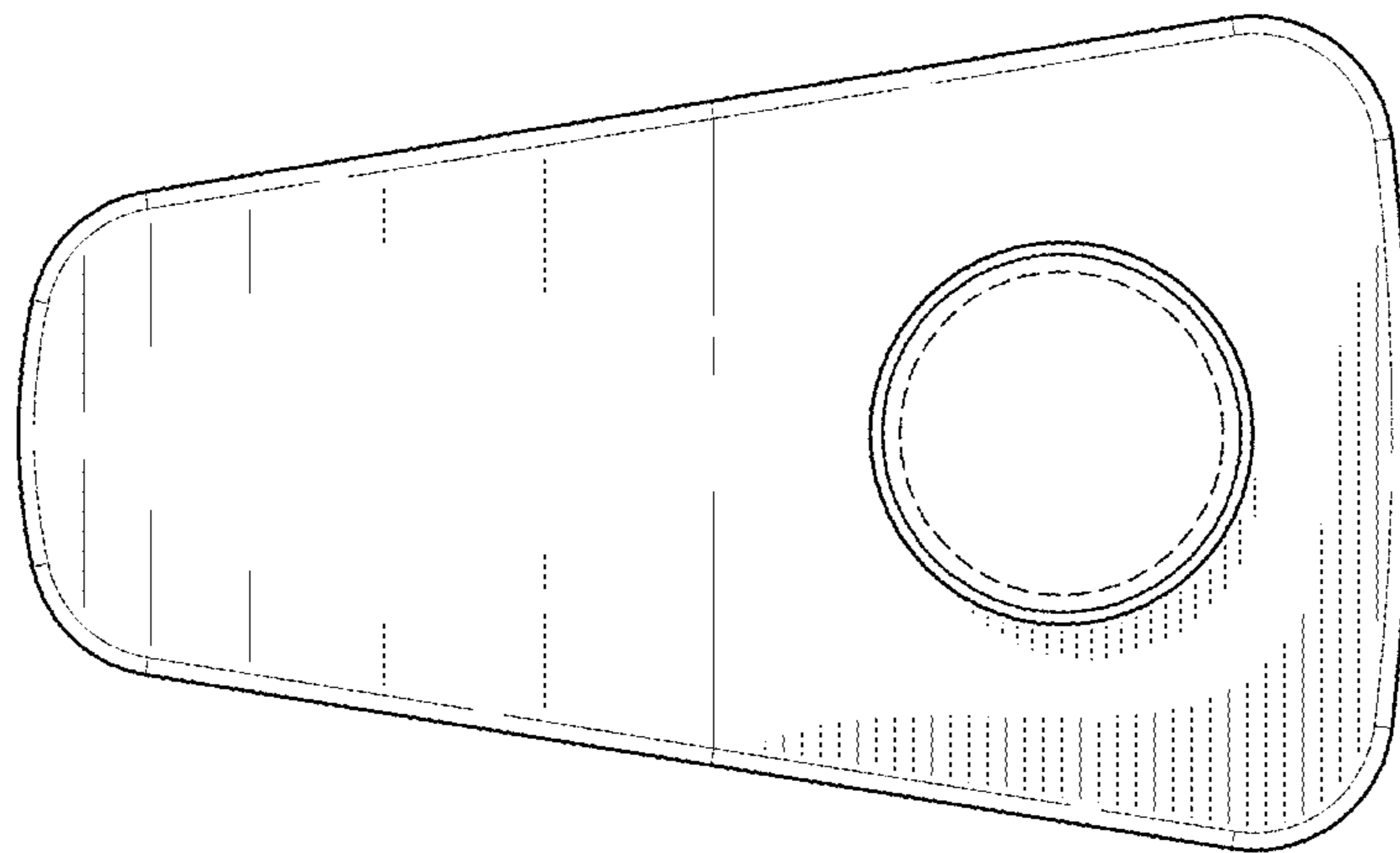


FIG-8