

US00D946435S

(12) **United States Design Patent**  
**Weiss et al.**

(10) **Patent No.:** **US D946,435 S**  
(45) **Date of Patent:** **\*\* Mar. 22, 2022**

(54) **SENSOR DEVICE ENCLOSURE FOR INDUSTRIAL PUMP EQUIPMENT**

(71) Applicant: **Cornell Pump Company**, Clackamas, OR (US)  
(72) Inventors: **Aaron Weiss**, Portland, OR (US); **Ituah Rodriguez**, Portland, OR (US); **Adam Lindeman**, Portland, OR (US); **Colin O'Callaghan**, Portland, OR (US); **Andrew Enterline**, Troutdale, OR (US)  
(73) Assignee: **Cornell Plump Company**, Clackamas, OR (US)

(\*\*) Term: **15 Years**

(21) Appl. No.: **29/744,877**

(22) Filed: **Jul. 31, 2020**

(51) **LOC (13) Cl.** ..... **10-05**

(52) **U.S. Cl.**  
USPC ..... **D10/96; D10/103**

(58) **Field of Classification Search**  
USPC ..... D10/71, 75-79, 80-82, 61, 85, 86, D10/106.91, 106.9, 106.4, 96-98, 70, 74, D10/65, 67, 46, 47; D3/302, 294; D9/414, 430, 418; D8/387, 383-386, D8/394, 397, 382  
CPC ..... A45D 34/06; A45D 40/02; A45D 40/20; A45D 40/06; B65D 5/00; B65D 5/0209; B65D 5/029; B65D 5/40; B65D 5/72; B65D 5/727; H04W 88/005; H04W 88/02; H04W 88/12; H04W 88/14; H04W 88/16; H04W 88/18; H04W 4/00; H01Q 1/02; G01M 3/38; G01N 21/45; G01N 2021/4106; G01N 2021/4113; G01N 2021/4126; G01N

(Continued)

(56) **References Cited**

**U.S. PATENT DOCUMENTS**

D419,085 S \* 1/2000 Prus ..... D10/86  
D495,247 S \* 8/2004 Keberlein ..... D9/418

(Continued)

**FOREIGN PATENT DOCUMENTS**

CN 303646538 \* 11/2015  
CN 304160630 \* 4/2017

(Continued)

**OTHER PUBLICATIONS**

GBSTORE, DC 9-15V Active Piezo Electronic Buzzer Alarm, Date first available Aug. 6, 2016, [online]retrieved Oct. 15, 2021, available from [https://www.amazon.com/GBSTORE-9-15V-Active-Electronic-Buzzer/dp/B01JU3SK11/ref=sr\\_1\\_2?dchild=1&keywords=Mallory+Sonalert+SC110NR&qid=1634326885&sr=8-2](https://www.amazon.com/GBSTORE-9-15V-Active-Electronic-Buzzer/dp/B01JU3SK11/ref=sr_1_2?dchild=1&keywords=Mallory+Sonalert+SC110NR&qid=1634326885&sr=8-2) (Year: 2016).\*

(Continued)

*Primary Examiner* — Keli L Hill

*Assistant Examiner* — Sara S Sahneh

(74) *Attorney, Agent, or Firm* — Snyder, Clark, Lesch & Chung, LLP

(57) **CLAIM**

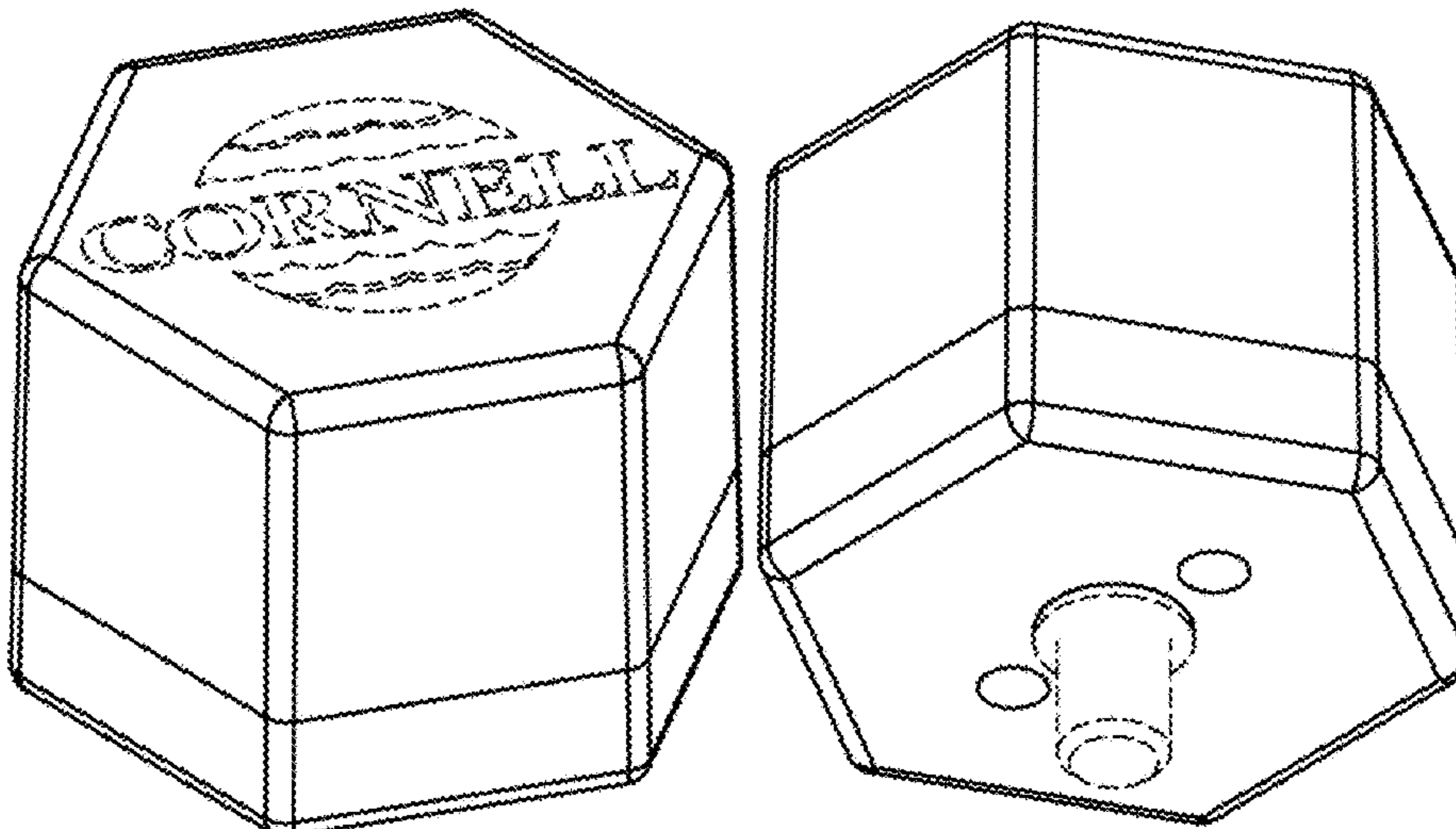
The ornamental design for a sensor device enclosure for industrial pump equipment, as shown and described.

**DESCRIPTION**

FIG. 1 is a top perspective view of a sensor device enclosure for industrial pump equipment showing my new design; FIG. 2 is a bottom perspective view thereof; FIG. 3 is a front side view thereof; FIG. 4 is a top side view thereof; and, FIG. 5 is a bottom side view thereof.

The broken lines depict portions of the sensor device enclosure for industrial pump equipment that form no part of the claimed design.

**1 Claim, 5 Drawing Sheets**



(58) **Field of Classification Search**

CPC ..... 2021/414; G01N 2021/4146; G01N  
 2021/4153; G01N 2021/416; G01N  
 2021/4166; G01N 2021/4173; G01N  
 2021/418; G01N 2021/4186; G01N  
 2021/4193; G01N 2021/432; G01N  
 21/3504; G01N 27/16; G01N 27/18;  
 G01N 27/185; G01N 33/0006; G01N  
 1/2205; G01N 1/2273; G01N 2001/2276;  
 G01D 11/24; B60L 15/34; B60L 15/38;  
 B60L 53/20; B60L 53/22; H02J 7/003;  
 H02J 7/0042; H01L 23/02; H01L 23/04;  
 H01L 23/053; H01L 23/12; H02M 1/00;  
 H02M 1/003; H05K 5/00; G01L 19/0663;  
 G01L 19/0672; G01L 19/0681; B23K  
 33/008; F01N 13/14; F01N 2470/06;  
 B21C 37/151; Y10T 29/49398

See application file for complete search history.

(56) **References Cited**

U.S. PATENT DOCUMENTS

D502,114 S \* 2/2005 Lin ..... D10/46  
 D523,361 S \* 6/2006 Wu ..... D10/102  
 D578,829 S \* 10/2008 Freeman ..... D7/584  
 D602,510 S \* 10/2009 Harpaz ..... D15/139  
 D649,987 S \* 12/2011 Dunnahoe ..... D15/139  
 D661,199 S \* 6/2012 Bennett ..... D9/559  
 D679,148 S \* 4/2013 Schwartz ..... D7/629  
 D709,777 S \* 7/2014 Matsumiya ..... D10/74  
 D744,288 S \* 12/2015 Rosen ..... D7/584  
 D756,037 S \* 5/2016 Schlatter ..... D28/85  
 D764,278 S \* 8/2016 Tulin ..... D9/430

D808,389 S \* 1/2018 Judge ..... D14/240  
 D817,794 S \* 5/2018 Manning ..... D10/85  
 D821,746 S \* 7/2018 Heyman ..... D3/240  
 D854,235 S \* 7/2019 Reynolds ..... D26/142  
 D863,998 S \* 10/2019 Rainer ..... D10/81  
 D865,823 S \* 11/2019 Abe ..... D15/139  
 D867,911 S \* 11/2019 Alabdin ..... D10/78  
 D869,973 S \* 12/2019 Demuth ..... D10/96  
 D883,607 S \* 5/2020 Tinajero Maldonado ..... D1/127  
 D928,026 S \* 8/2021 Barile ..... D11/143  
 2015/0083715 A1\* 3/2015 Shuert ..... B65D 19/0097  
 220/1.5  
 2015/0190867 A1\* 7/2015 Roman ..... B23C 5/207  
 407/42

FOREIGN PATENT DOCUMENTS

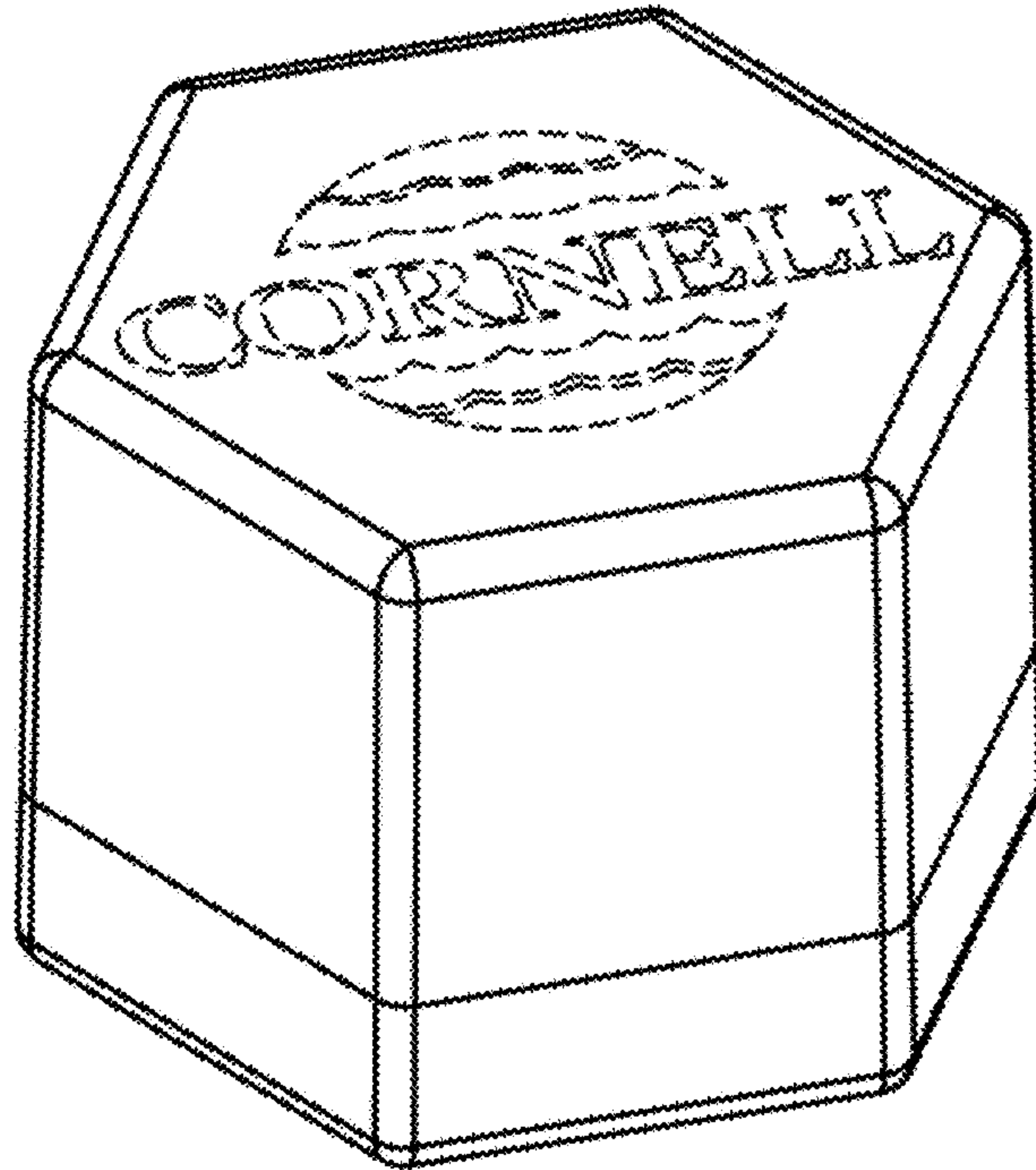
CN 304705339 \* 11/2017  
 CN 304794592 \* 1/2018  
 CN 305952679 \* 11/2019  
 CN 306827436 \* 12/2020  
 KR 300835903.0000 \* 9/2015

OTHER PUBLICATIONS

Hammond Manufacturing, 1590STPC, Date first available Aug. 26, 2013, [online]retrieved Oct. 15, 2021, available from WWW.hammondmfg.com (Year: 2013).\*

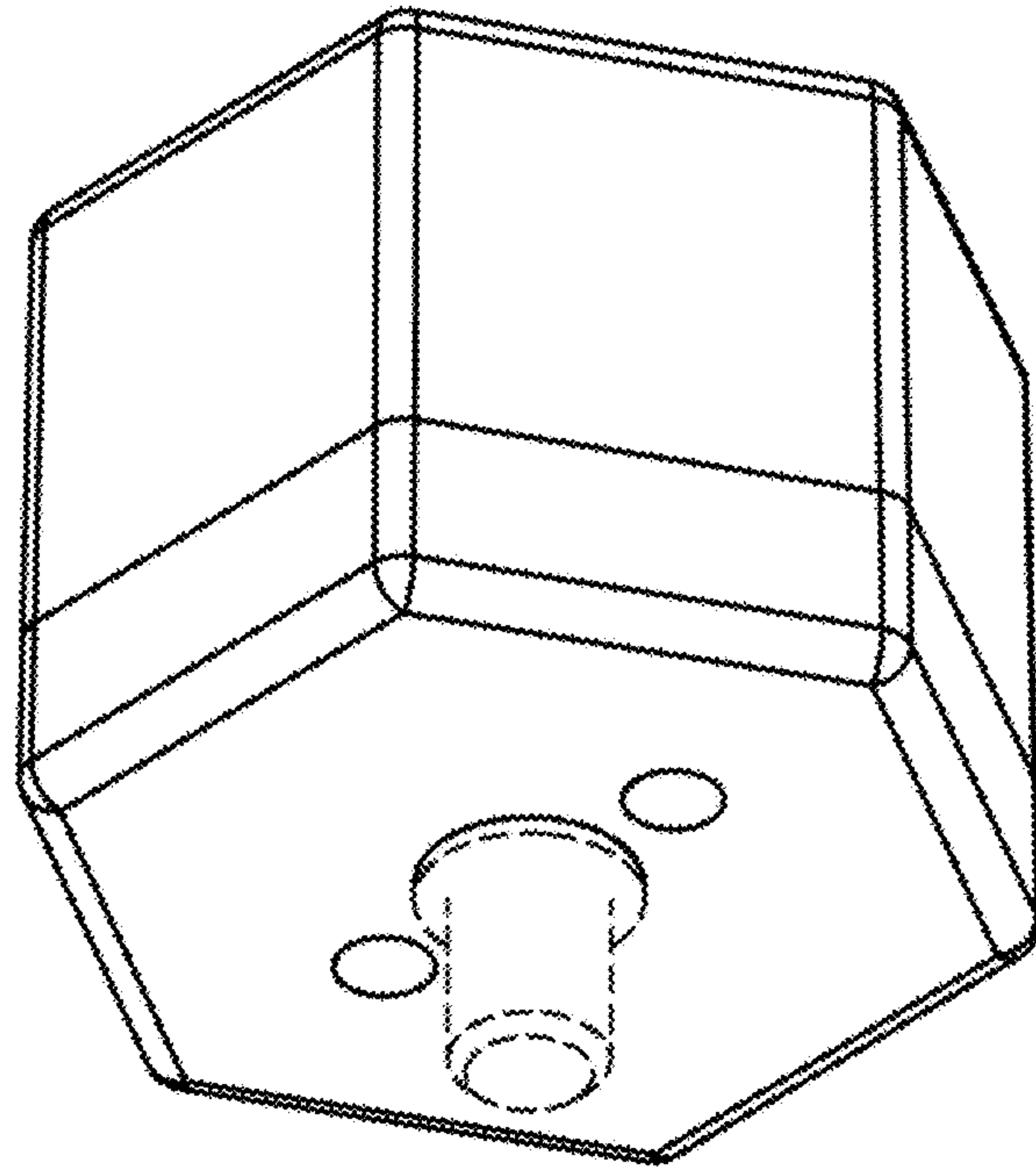
James Blackman, How Deutsche Telekom's internet-of-hives is helping German honeybees, Date first available Jun. 25, 2018, [online]retrieved Oct. 6, 2021, available from https://enterpriseiotinsights.com/20180625/channels/use-cases/how-dt-is-helping-german-honeybees-tag40-tag99 (Year: 2018).\*

\* cited by examiner

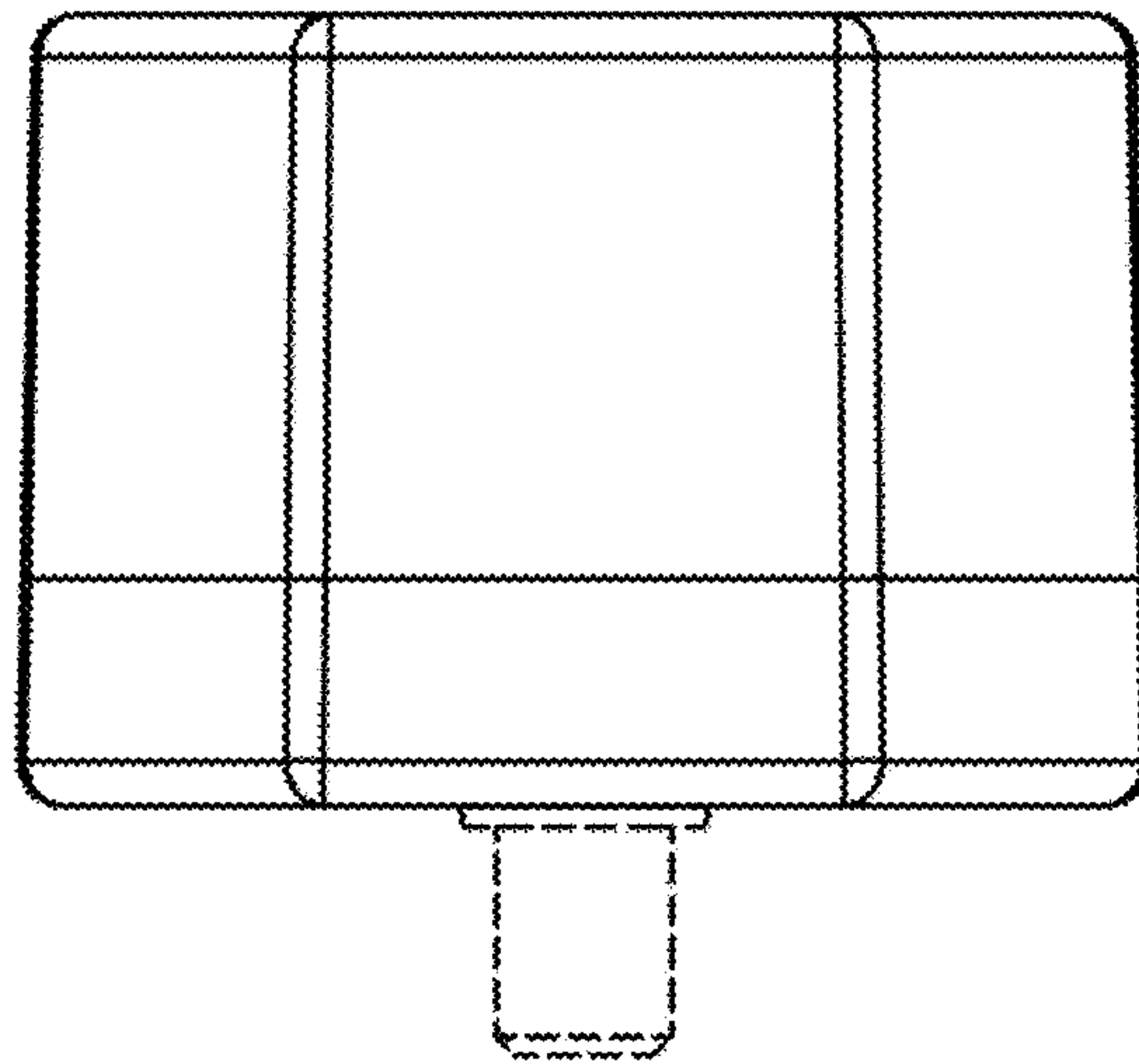


**FIG. 1**

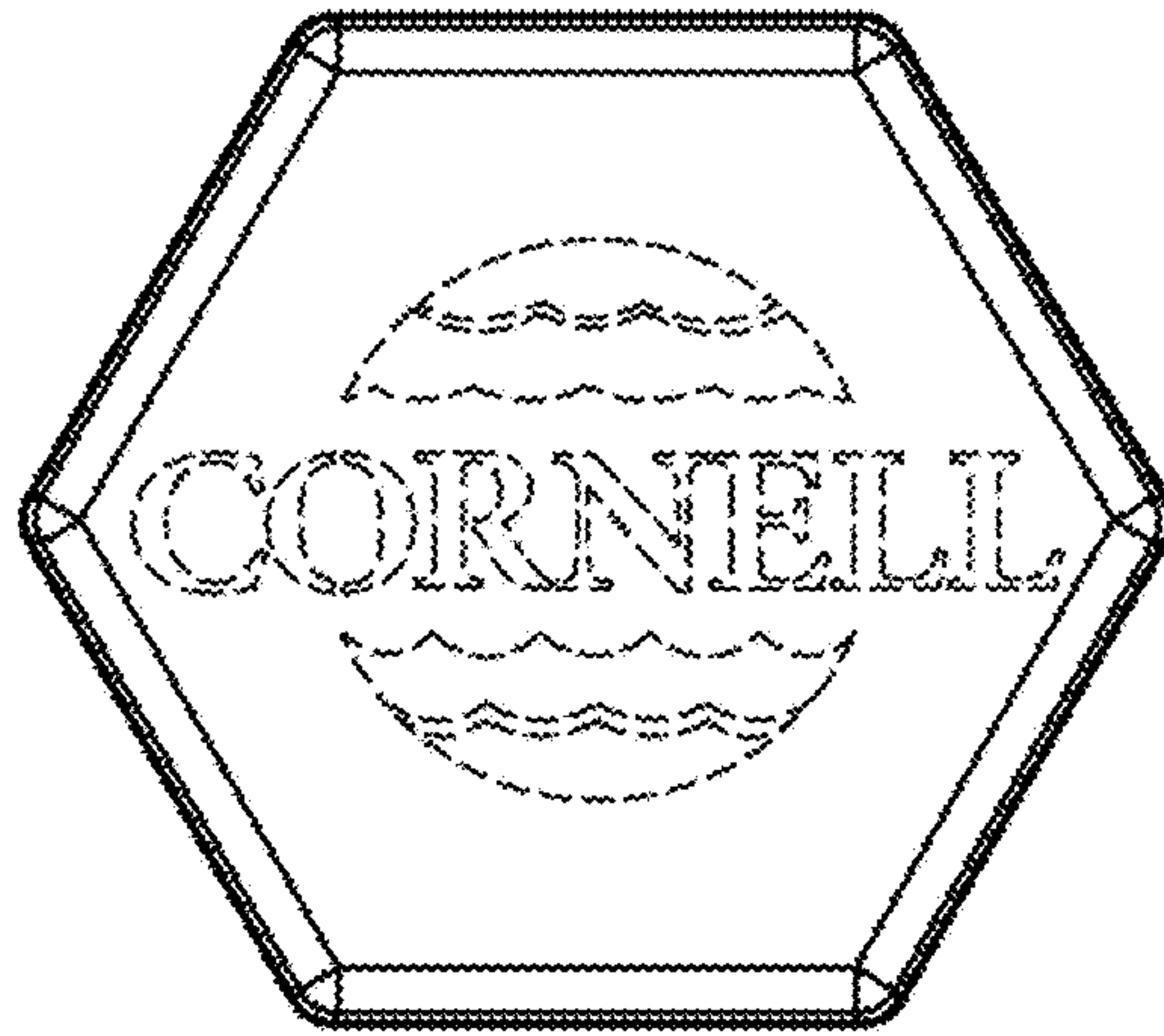




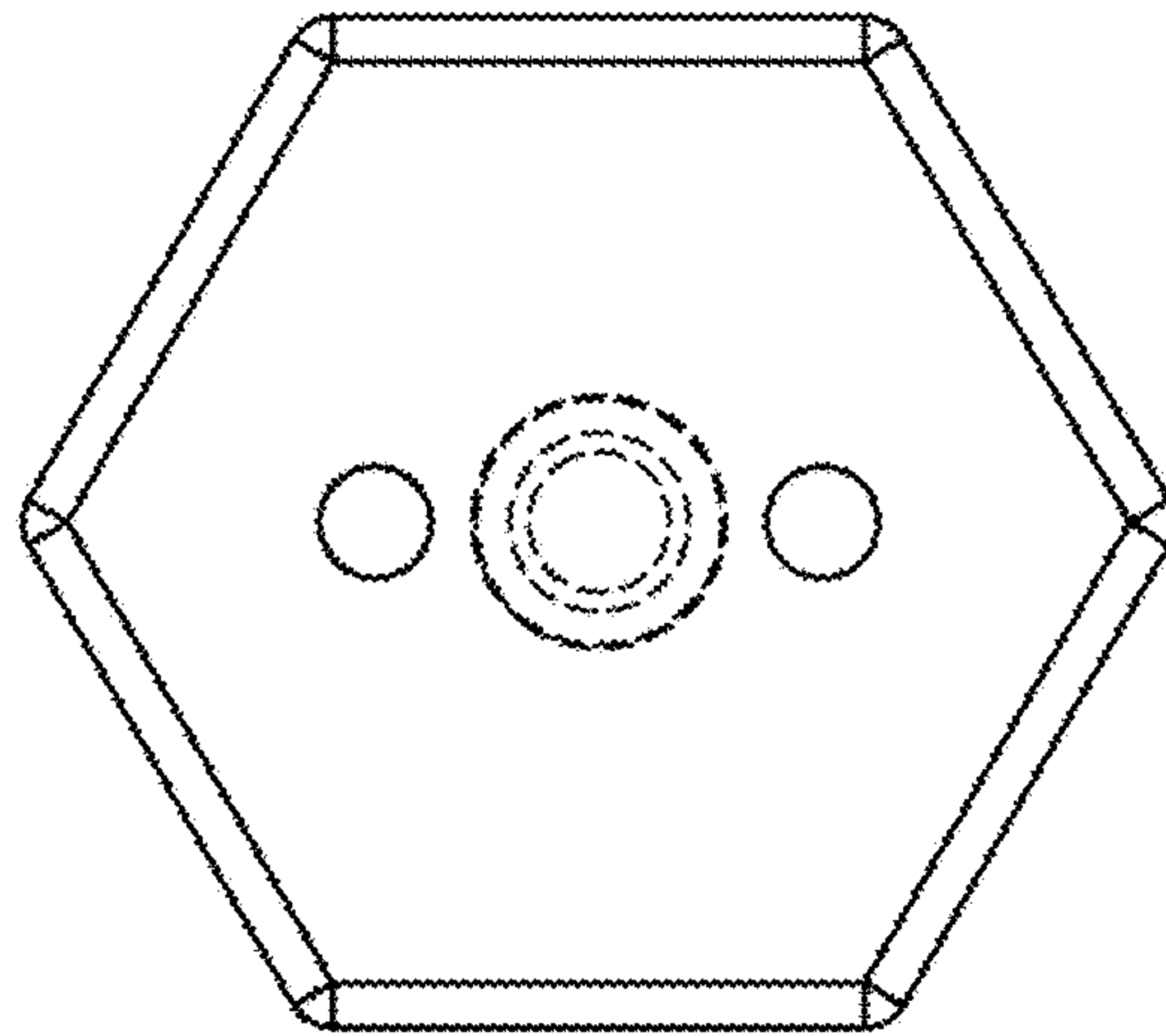
**FIG. 2**



**FIG. 3**



**FIG. 4**



**FIG. 5**

UNITED STATES PATENT AND TRADEMARK OFFICE  
**CERTIFICATE OF CORRECTION**

PATENT NO. : D946,435 S  
APPLICATION NO. : 29/744877  
DATED : March 22, 2022  
INVENTOR(S) : Aaron Weiss et al.

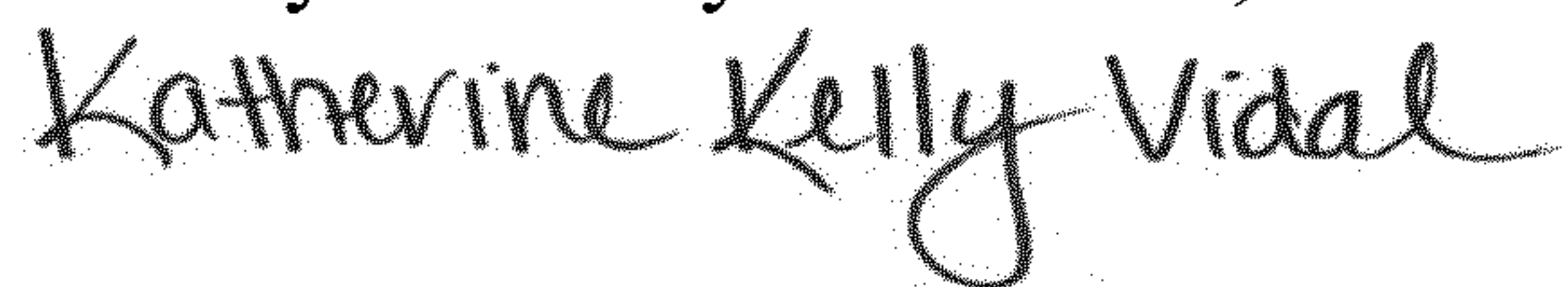
Page 1 of 1

It is certified that error appears in the above-identified patent and that said Letters Patent is hereby corrected as shown below:

On the Title Page

In the Assignee section, replace "Cornell Plump Company" with --Cornell Pump Company--

Signed and Sealed this  
Twenty-fifth Day of October, 2022



Katherine Kelly Vidal  
*Director of the United States Patent and Trademark Office*