

US00D946432S

(12) **United States Design Patent**  
**Lisiak**

(10) **Patent No.:** **US D946,432 S**  
(45) **Date of Patent:** **\*\* Mar. 22, 2022**

(54) **GUIDE JACKET FORCE SENSOR**

5,052,233 A 10/1991 Rantala  
5,220,971 A 6/1993 Farr  
5,230,252 A 7/1993 O'Brien et al.  
(Continued)

(71) Applicant: **FUTEK Advanced Sensor Technology,**  
Irvine, CA (US)

(72) Inventor: **Maciej Lisiak,** San Clemente, CA (US)

*Primary Examiner* — Antoine Duval Davis  
(74) *Attorney, Agent, or Firm* — Young Basile Hanlon &  
MacFarlane, P.C.

(\*\*) Term: **15 Years**

(21) Appl. No.: **29/773,205**

(57) **CLAIM**

(22) Filed: **Mar. 8, 2021**

The design for a guide jacket force sensor, substantially as shown.

**Related U.S. Application Data**

(63) Continuation-in-part of application No. 29/709,464,  
filed on Oct. 15, 2019.

(51) **LOC (13) Cl.** ..... **10-04**

(52) **U.S. Cl.**  
USPC ..... **D10/83**

(58) **Field of Classification Search**  
USPC ..... D10/83, 84, 85  
CPC ..... G01L 5/108; G01L 5/102; G01L 1/2262;  
G01L 1/2287; B66C 1/12  
See application file for complete search history.

**DESCRIPTION**

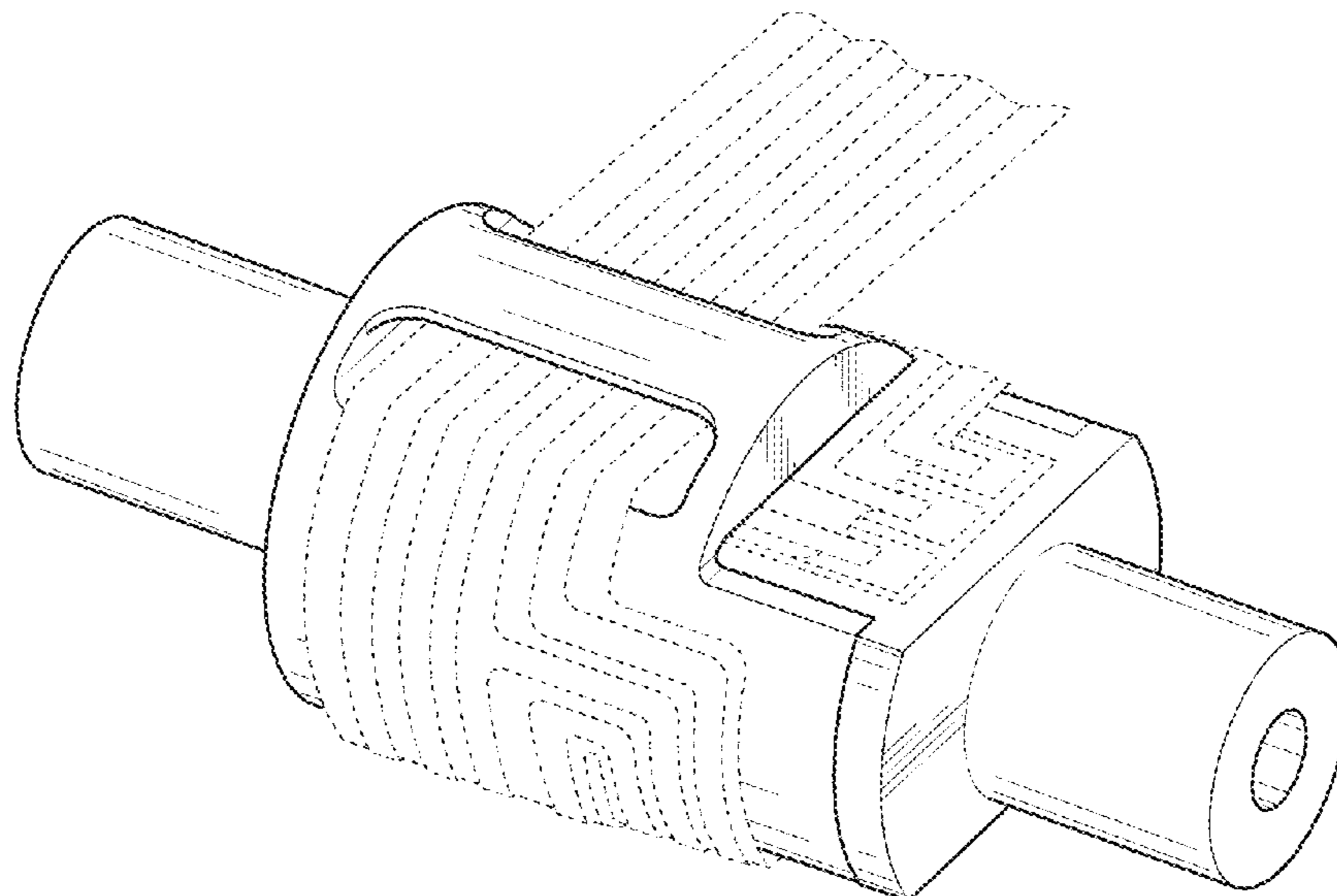
FIG. 1 is a perspective view of the sensor with lead carrier and leads on the carrier and on the sensor body shown in dotted lines;  
FIG. 2 is top view of the sensor with lead carrier;  
FIG. 3 is a bottom view of the sensor with lead carrier;  
FIG. 4 is a left side view of the sensor with lead carrier;  
FIG. 5 is a right side view of sensor with carrier;  
FIG. 6 is a left end view of the sensor with carrier;  
FIG. 7 is a right end view of the sensor with lead carrier;  
FIG. 8 is a perspective view of the sensor alone;  
FIG. 9 is a top view of the sensor alone;  
FIG. 10 is a bottom view of the sensor alone;  
FIG. 11 is a left side view of the sensor alone;  
FIG. 12 is a right side view of the sensor alone;  
FIG. 13 is a left end view of the sensor; and  
FIG. 14 is a right end view of the sensor.  
FIG. 15 is a perspective view of a second embodiment with no jacket;  
FIG. 16 is a top view of the second embodiment;  
FIG. 17 is a bottom view of the second embodiment;  
FIG. 18 is a left side view of the second embodiment;  
FIG. 19 is a right side view of the second embodiment;  
FIG. 20 is an end view of the second embodiment; and,  
FIG. 21 is an opposite end view of the second embodiment.

(56) **References Cited**

**U.S. PATENT DOCUMENTS**

3,004,231 A	10/1961	Laimins
3,261,204 A	7/1966	Jacobson
3,376,537 A	4/1968	Pugnaire
3,381,527 A	5/1968	Grubbs
3,662,596 A	5/1972	Siefert
3,866,473 A	2/1975	Teitelbaum et al.
3,969,935 A	7/1976	Shoberg
4,402,229 A	9/1983	Byrne
4,423,793 A	1/1984	Caris
4,789,035 A	12/1988	Hamilton et al.
4,803,888 A	2/1989	Choquet
4,833,927 A	5/1989	Park
4,840,521 A	6/1989	Bonnet
4,899,599 A	2/1990	Eddens
4,989,450 A	2/1991	Shoberg et al.

**1 Claim, 12 Drawing Sheets**



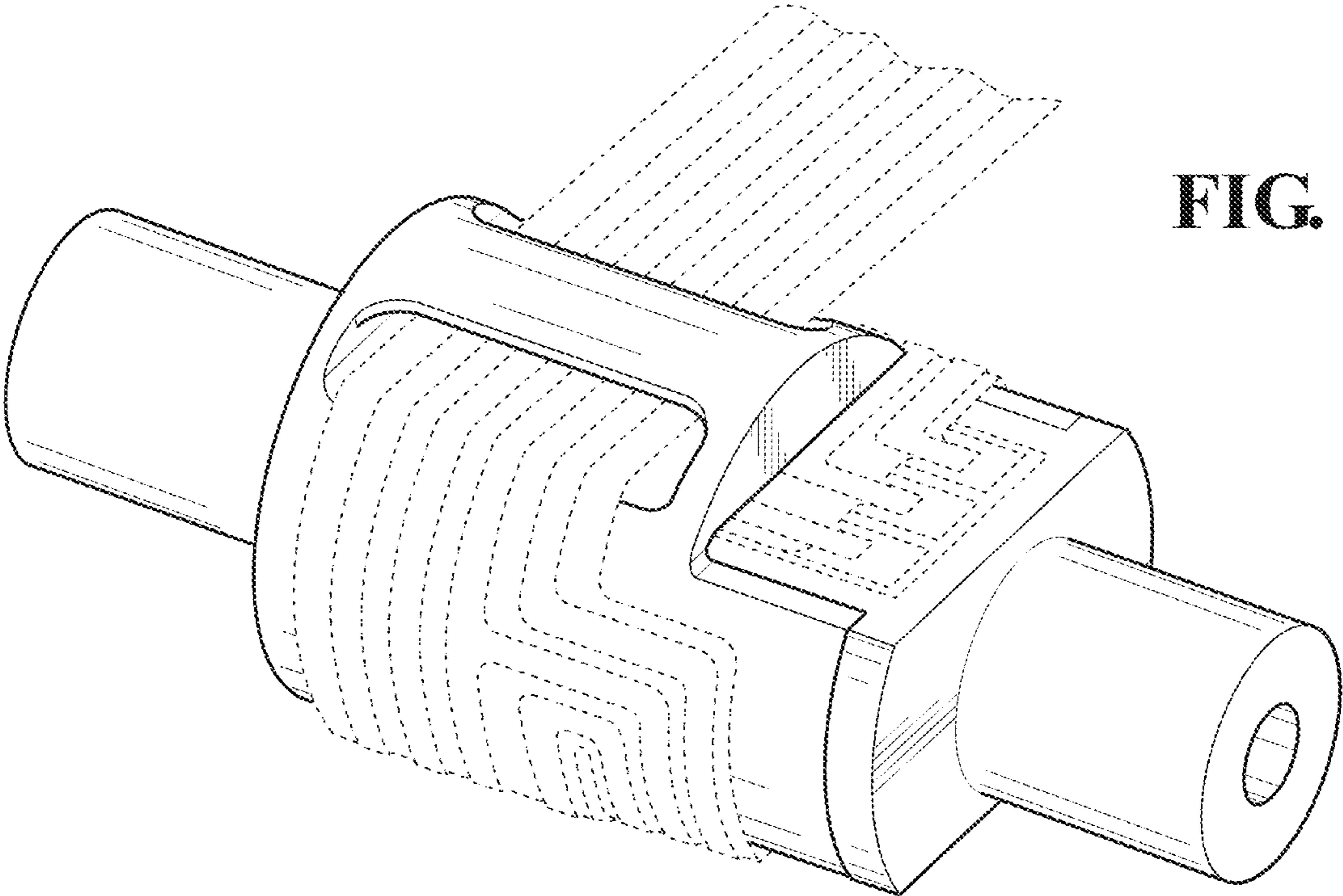
(56)

**References Cited**

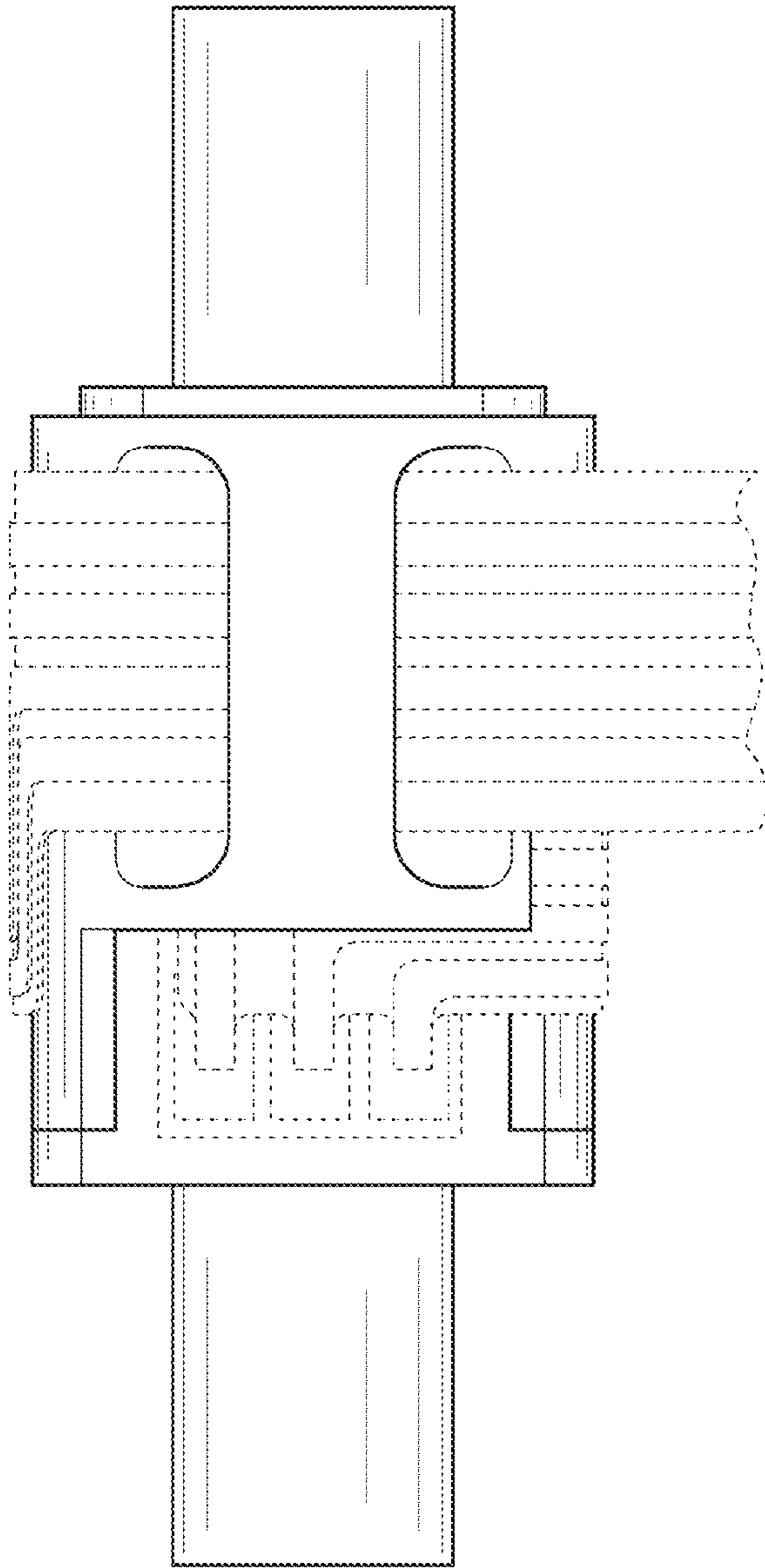
## U.S. PATENT DOCUMENTS

D371,085	S *	6/1996	Ito .....	D10/83
5,925,832	A	7/1999	Bruns	
5,929,390	A	7/1999	Naito et al.	
6,311,564	B1	11/2001	Martin et al.	
6,684,487	B2	2/2004	Naito et al.	
7,155,348	B2	12/2006	Loher et al.	
7,241,956	B1	7/2007	Stimpson	
7,424,832	B1	9/2008	Nunnelee	
8,024,980	B2	9/2011	Arms et al.	
8,056,423	B2	11/2011	Abdallah et al.	
8,474,331	B2	7/2013	Pekin	
8,621,939	B2	1/2014	Blumenkranz et al.	
RE45,883	E	2/2016	Ohbayashi et al.	
9,464,949	B2	10/2016	Mahlen et al.	
9,527,694	B2	12/2016	Barea	
9,791,332	B2	10/2017	Jaeger et al.	
10,302,510	B2	5/2019	Baker et al.	
10,663,359	B2	3/2020	Aeby et al.	
10,765,428	B2	9/2020	Sgroi, Jr.	
11,079,292	B2 *	8/2021	Lisiak .....	G01L 1/2287
2011/0088489	A1	4/2011	Yamamoto	
2011/0259110	A1	10/2011	Smith	
2014/0041458	A1	2/2014	Smith	
2021/0181048	A1 *	6/2021	Lisiak .....	G01L 5/108

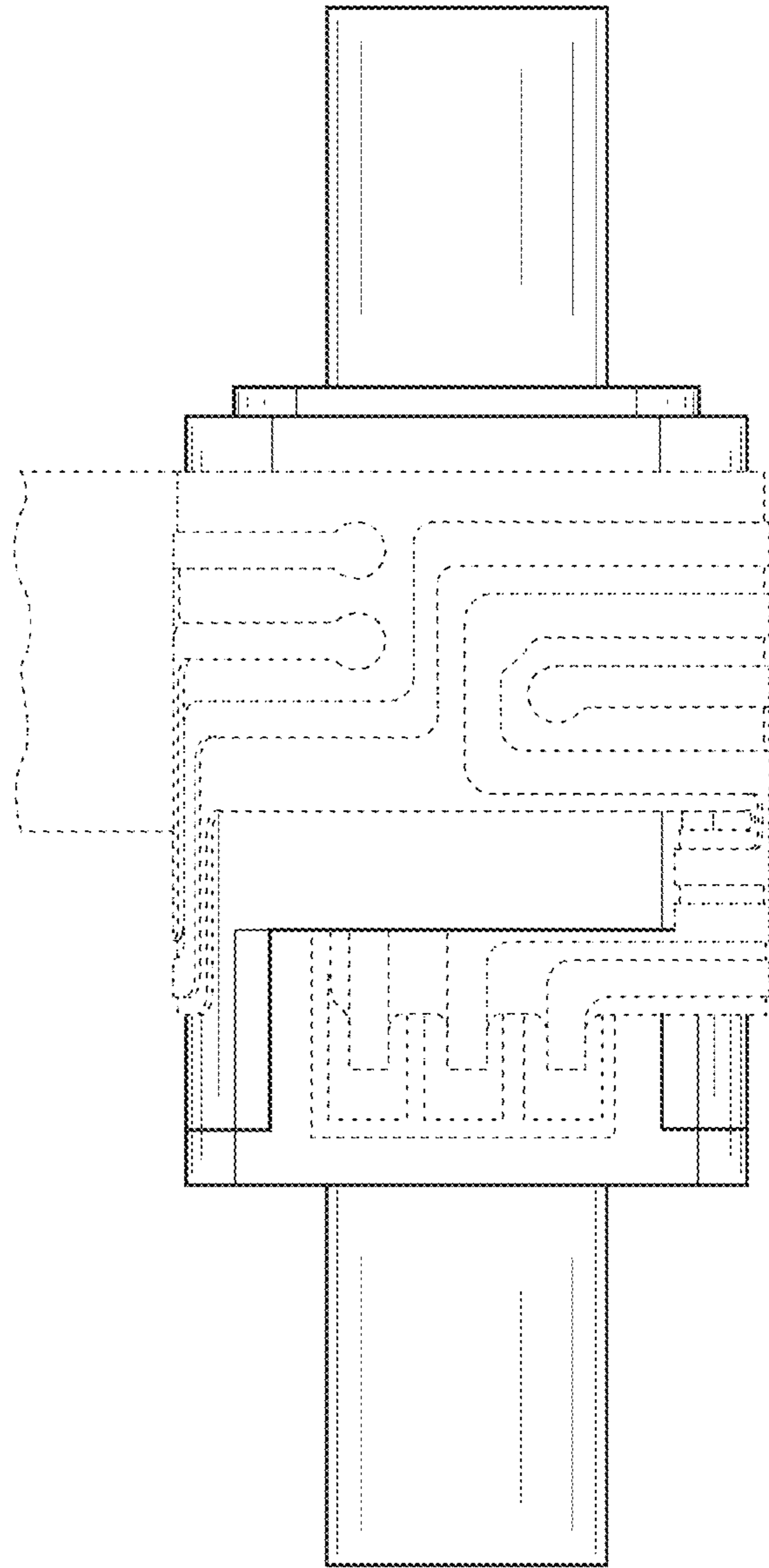
\* cited by examiner



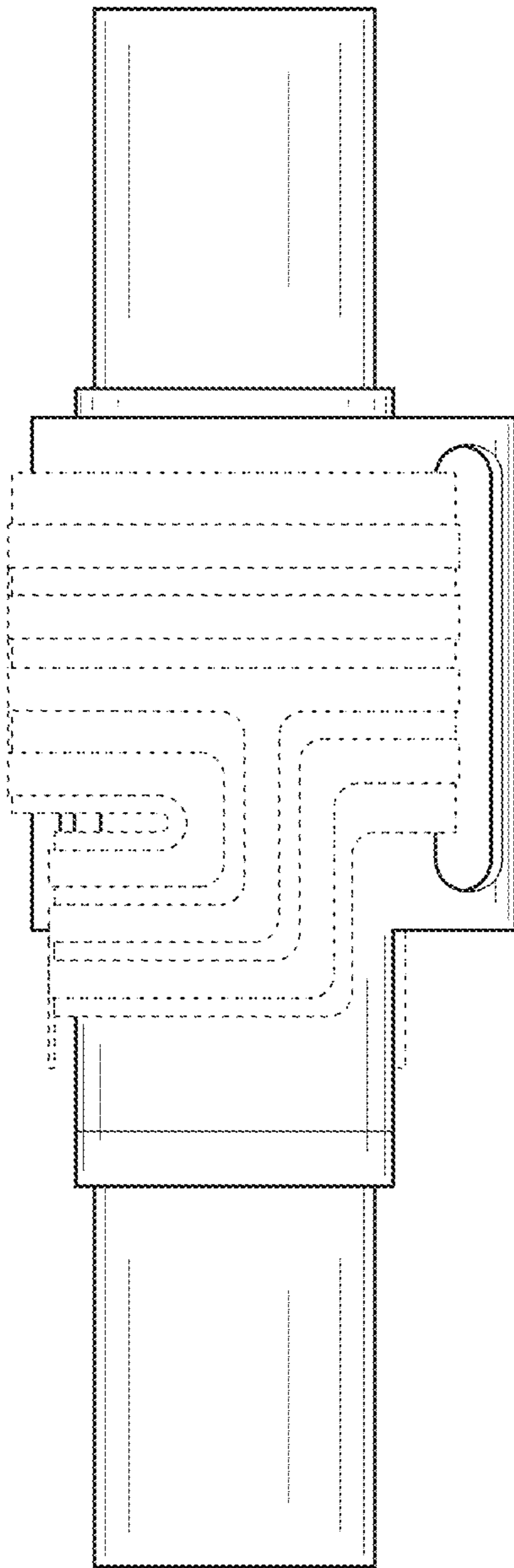
**FIG. 1**



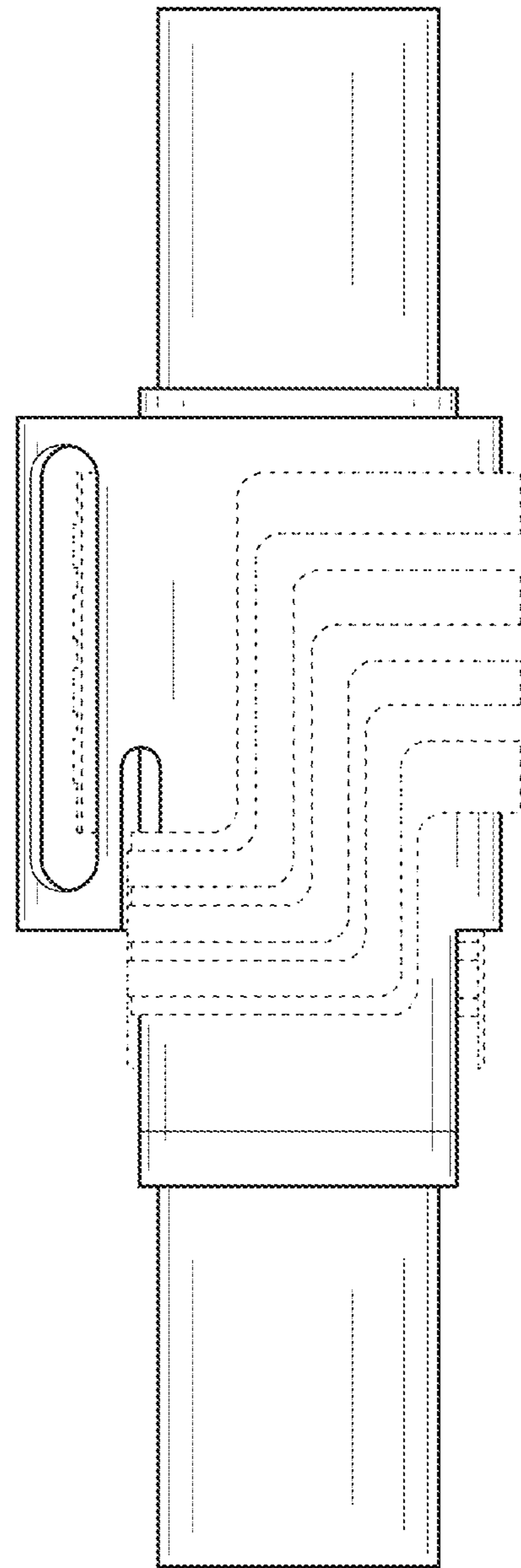
**FIG. 2**



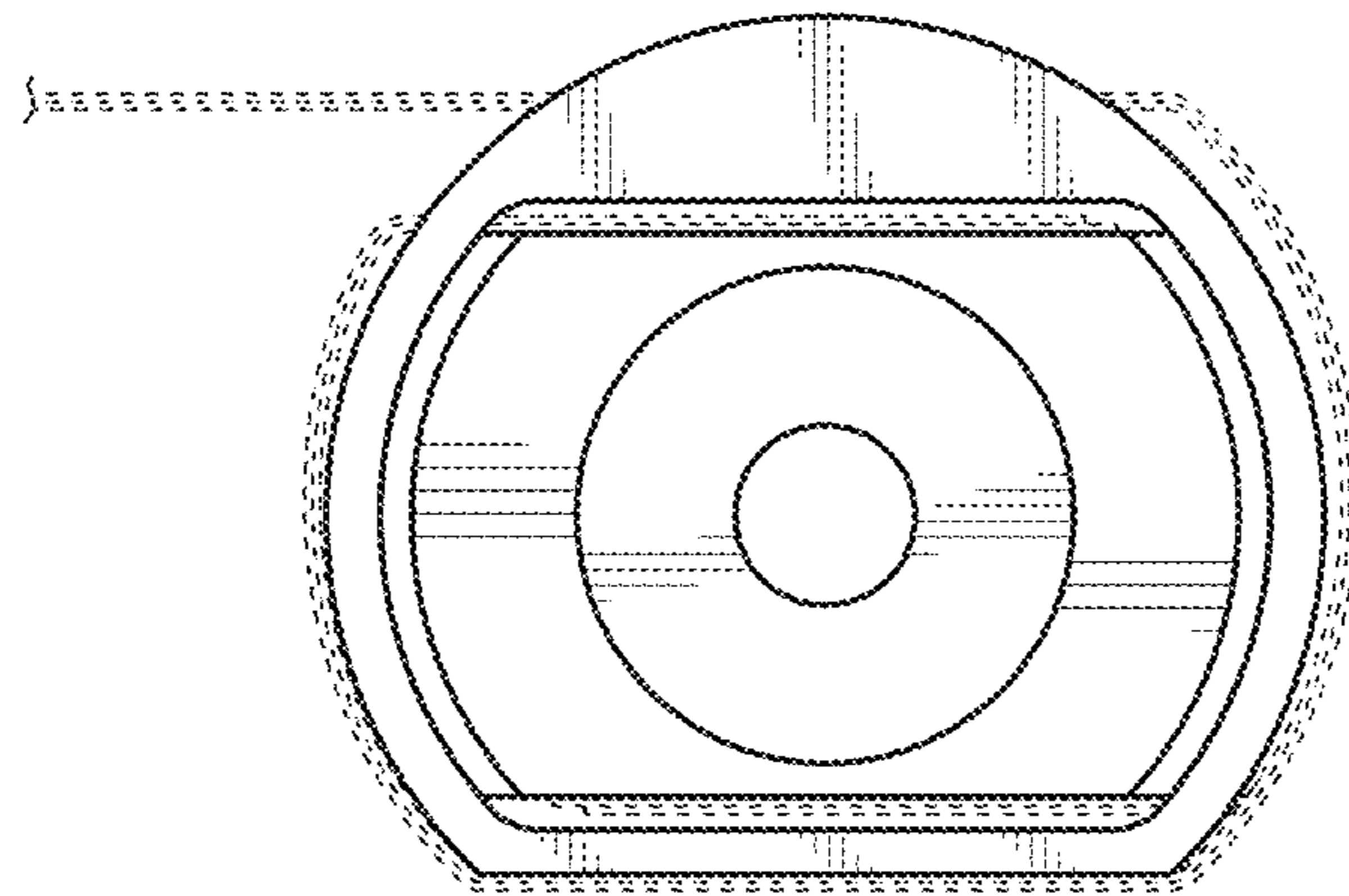
**FIG. 3**



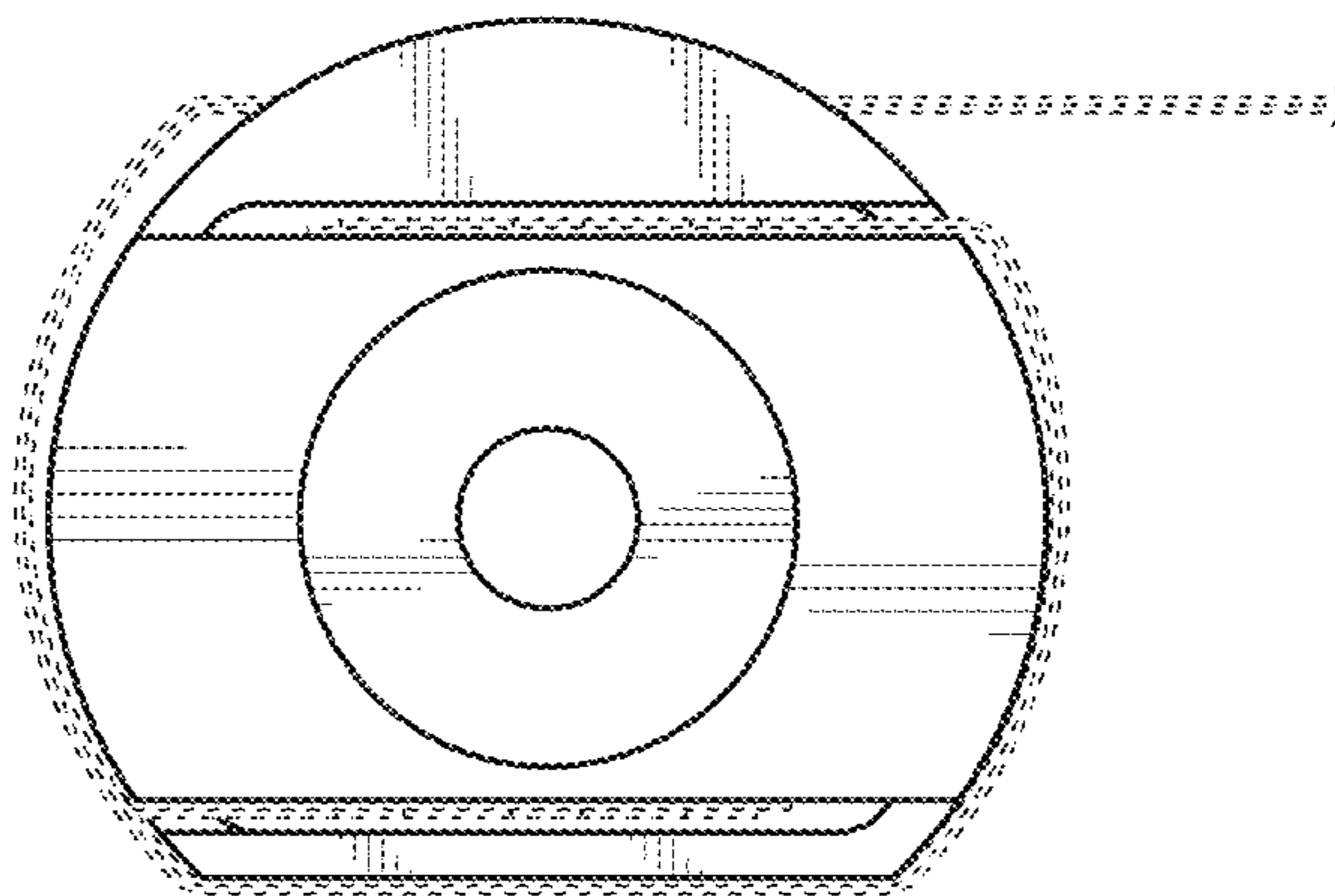
**FIG. 4**



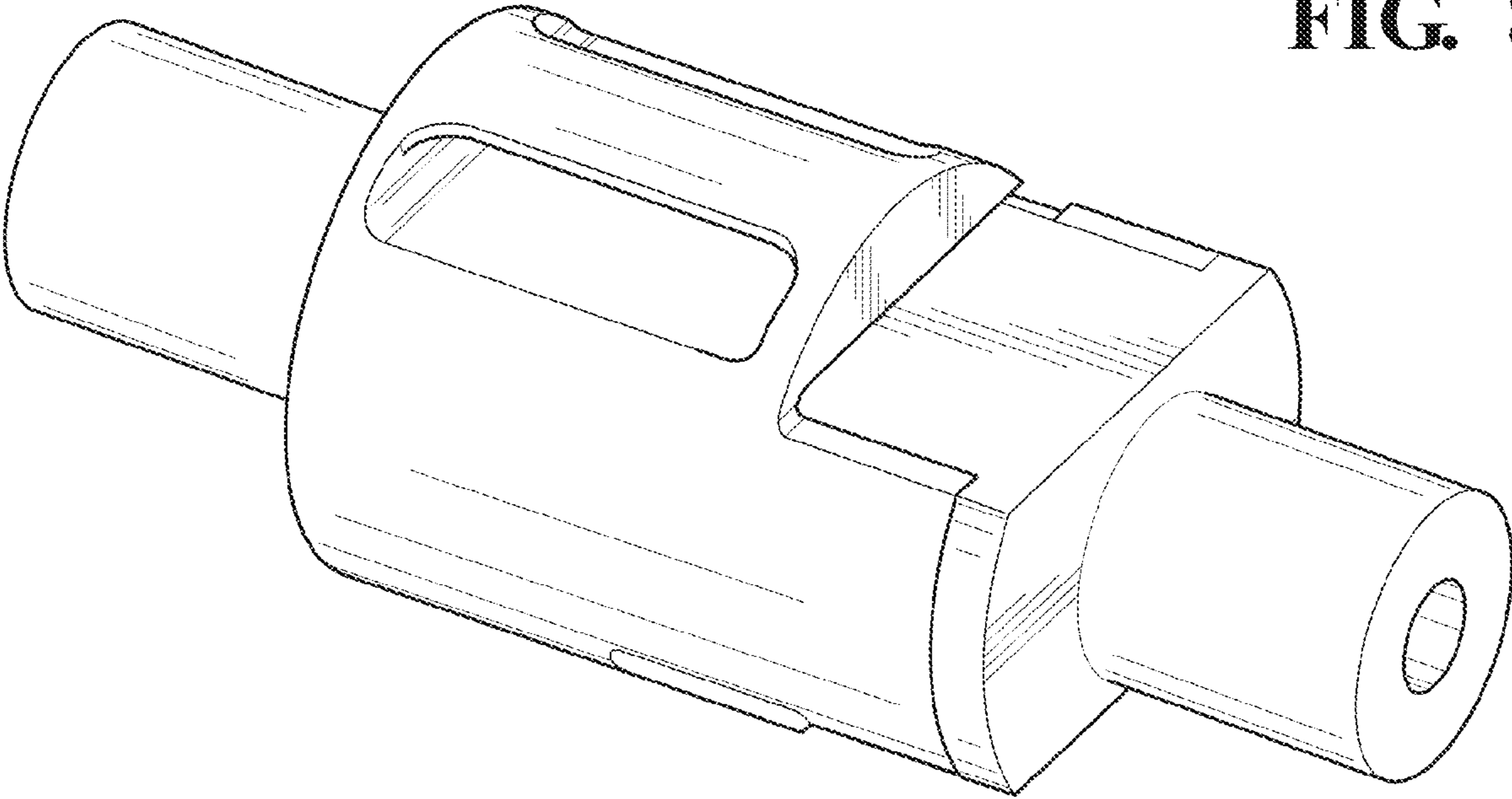
**FIG. 5**



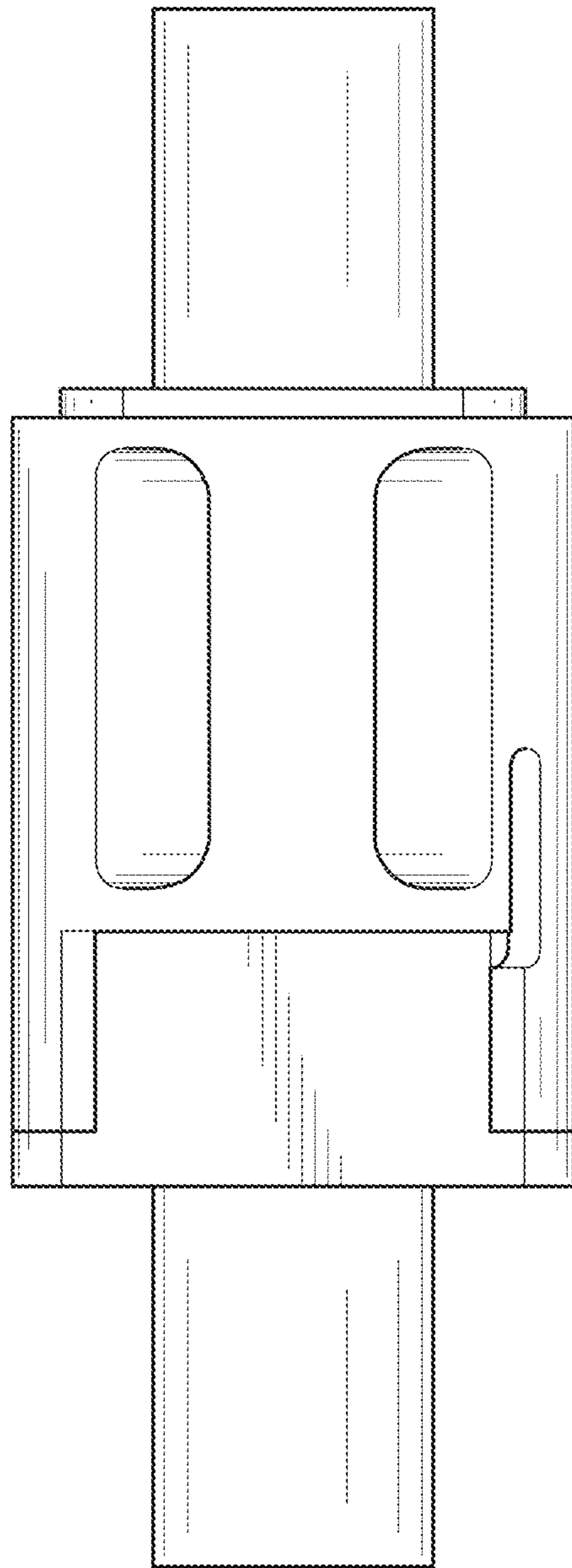
**FIG. 6**



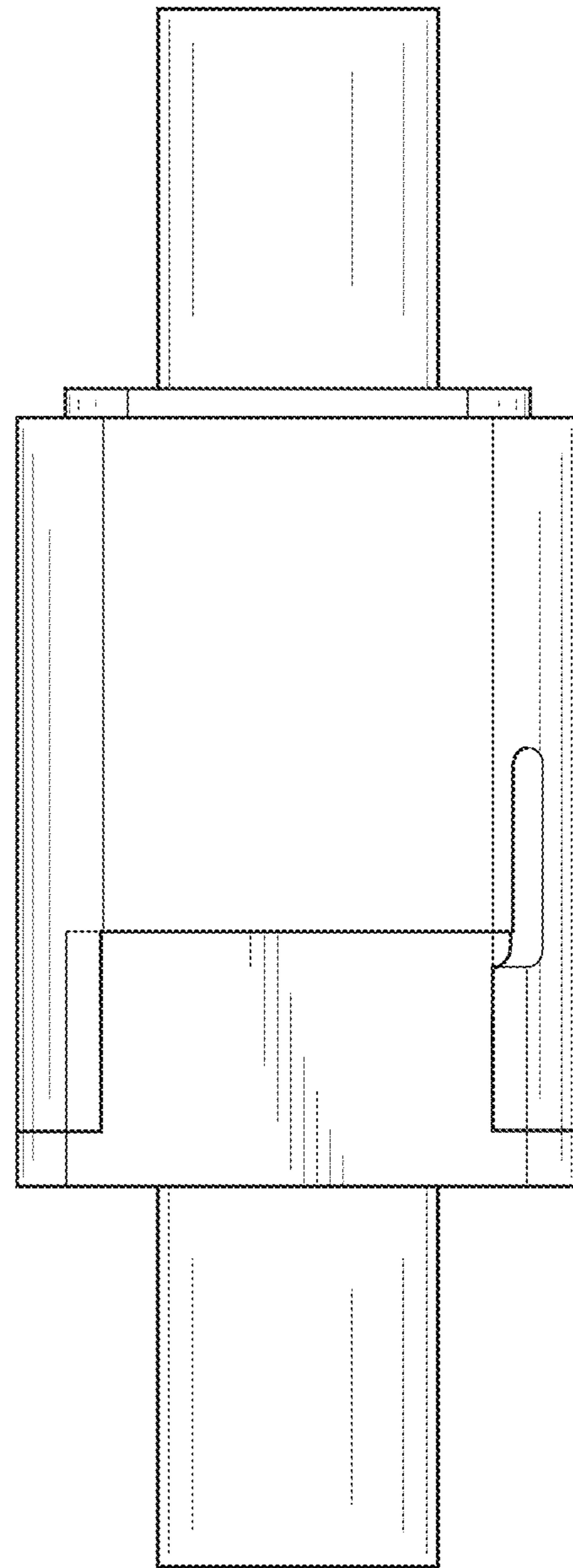
**FIG. 7**



**FIG. 8**

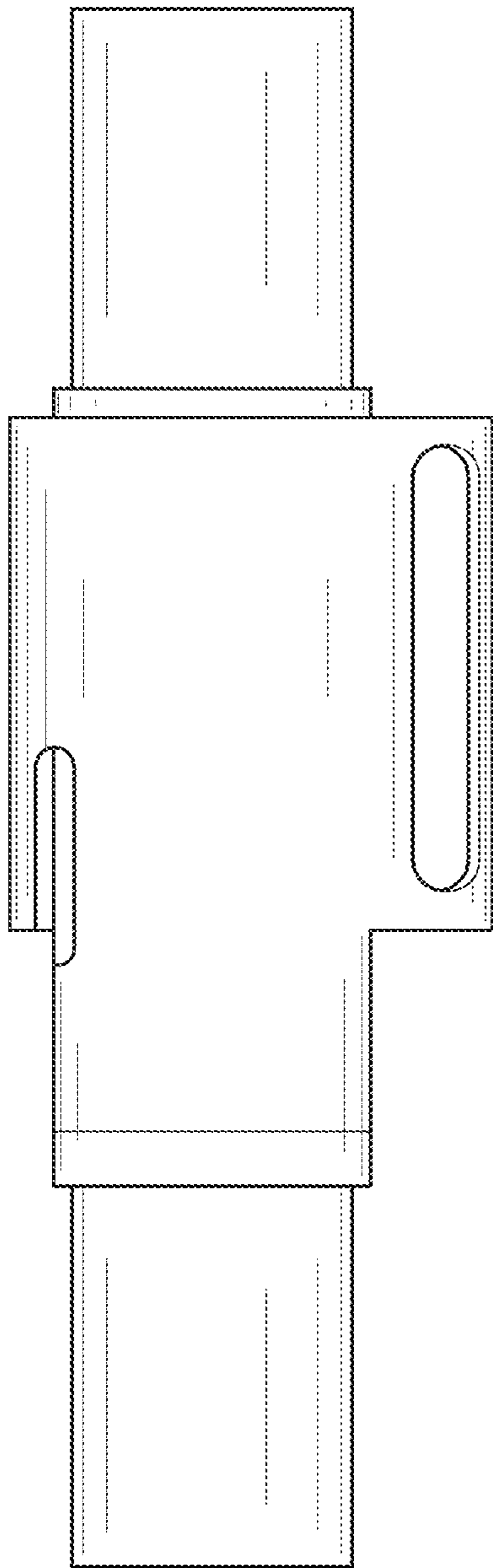


**FIG. 9**

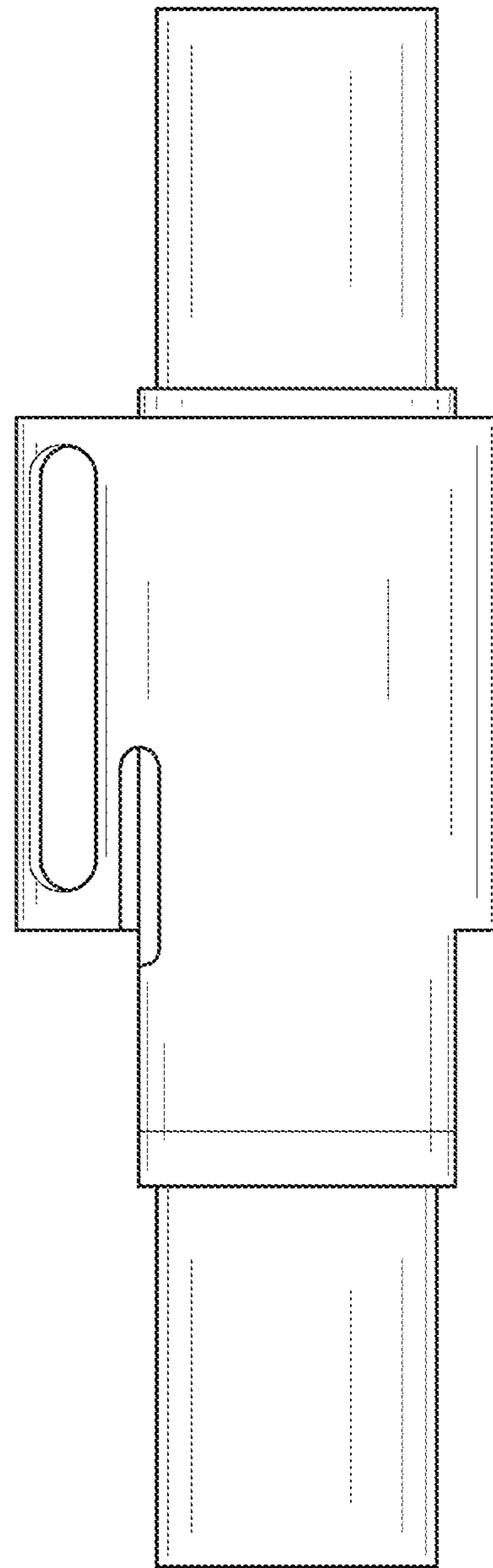


**FIG. 10**

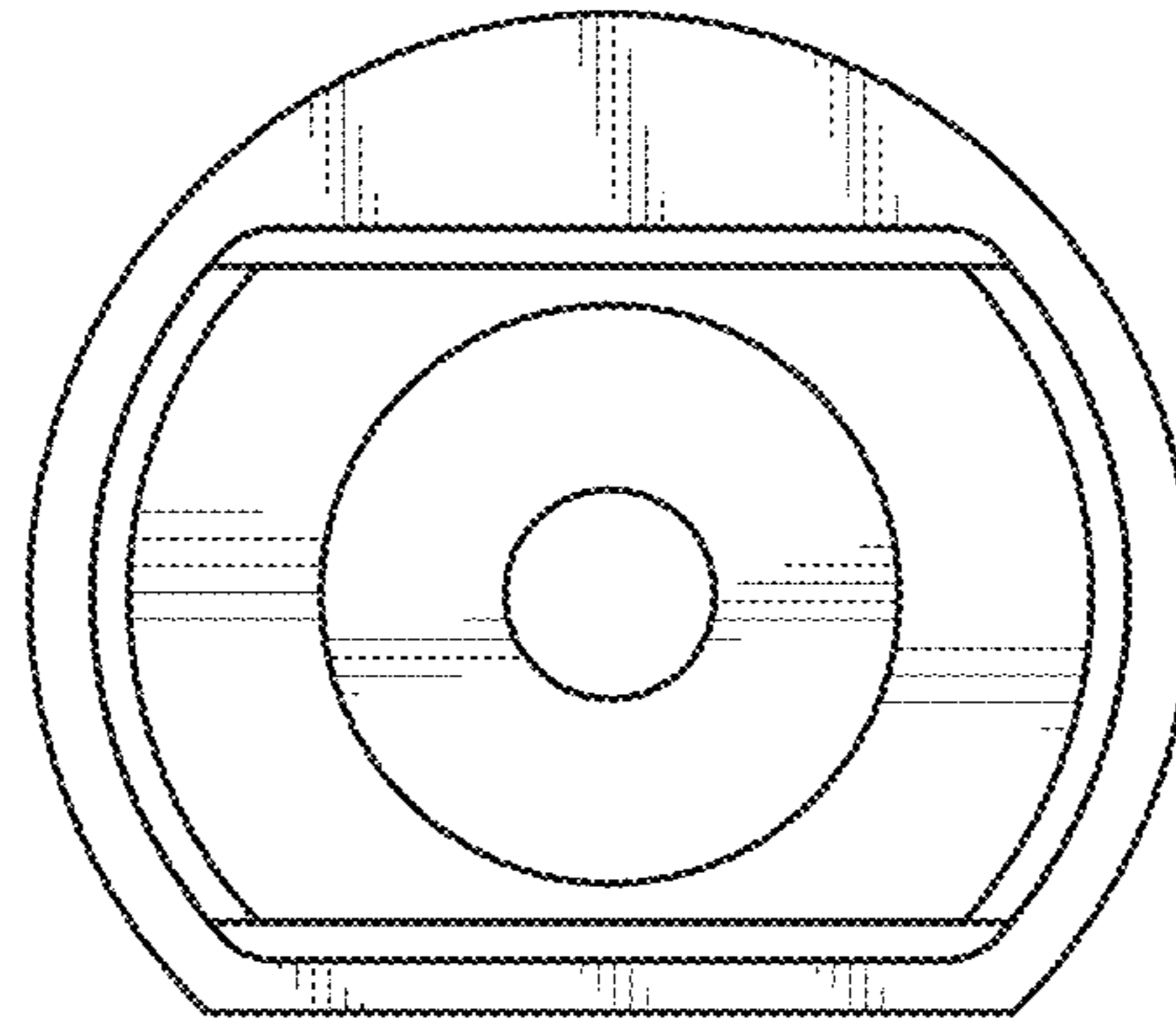




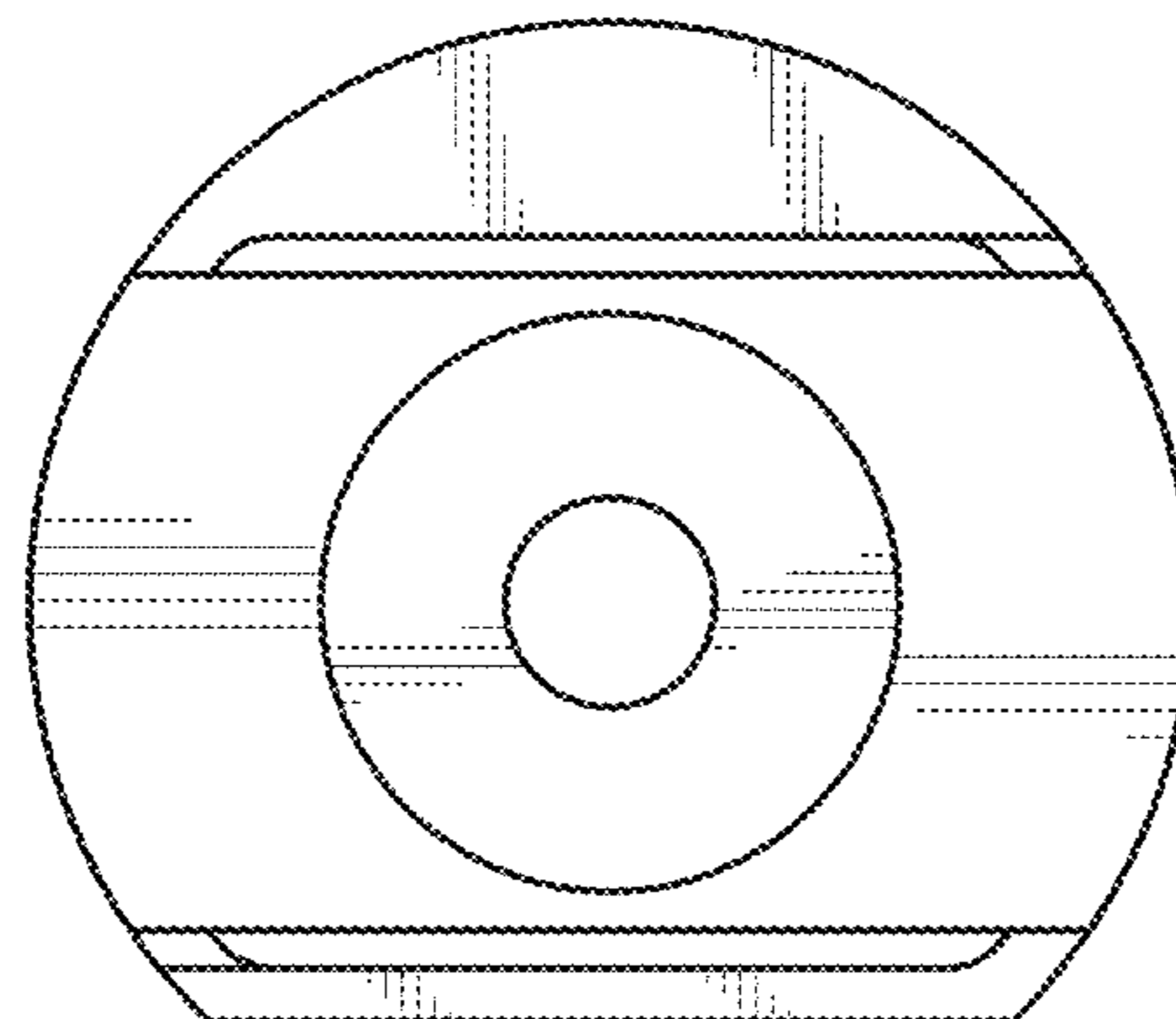
**FIG. 11**



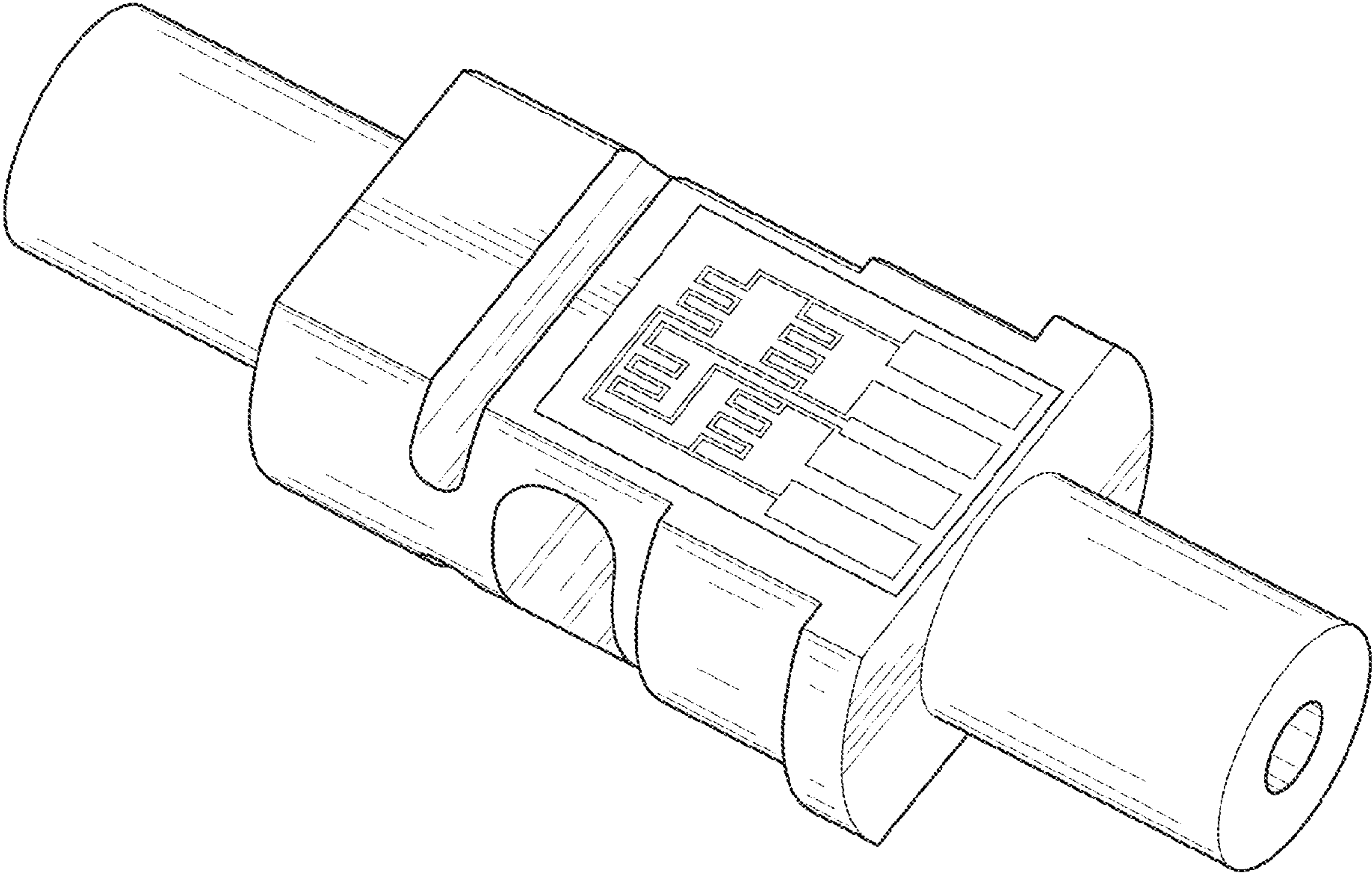
**FIG. 12**



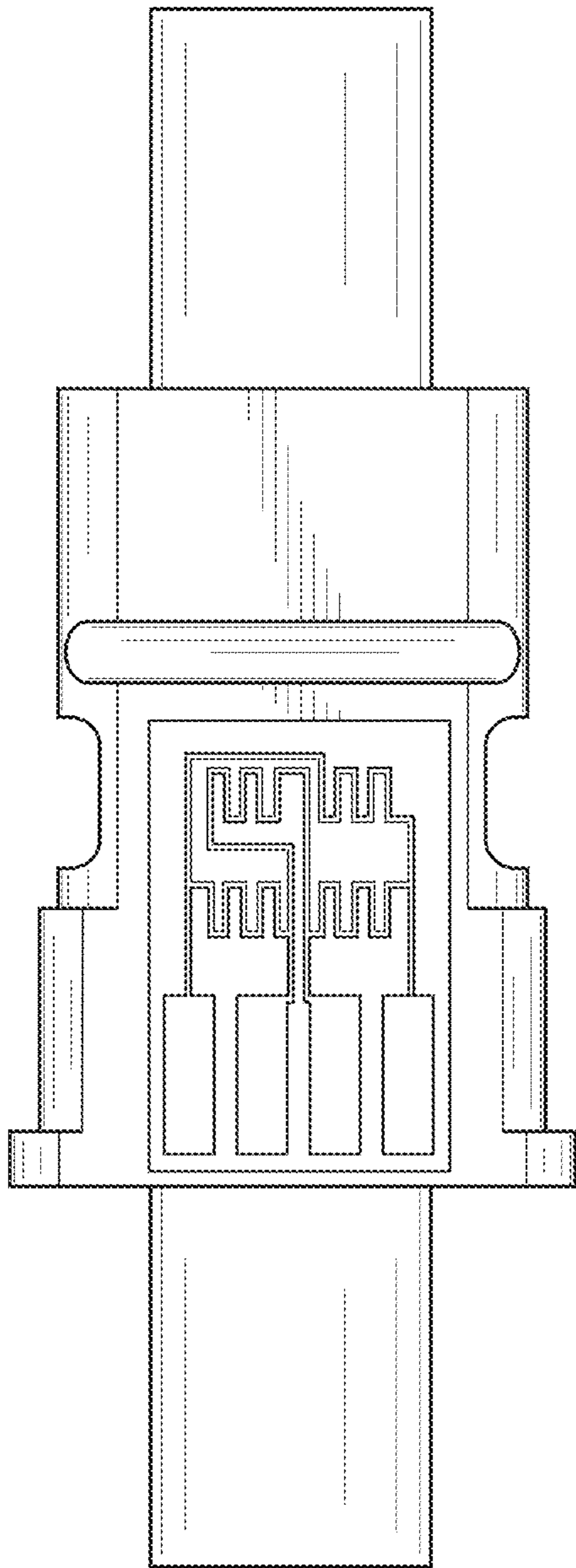
**FIG. 13**



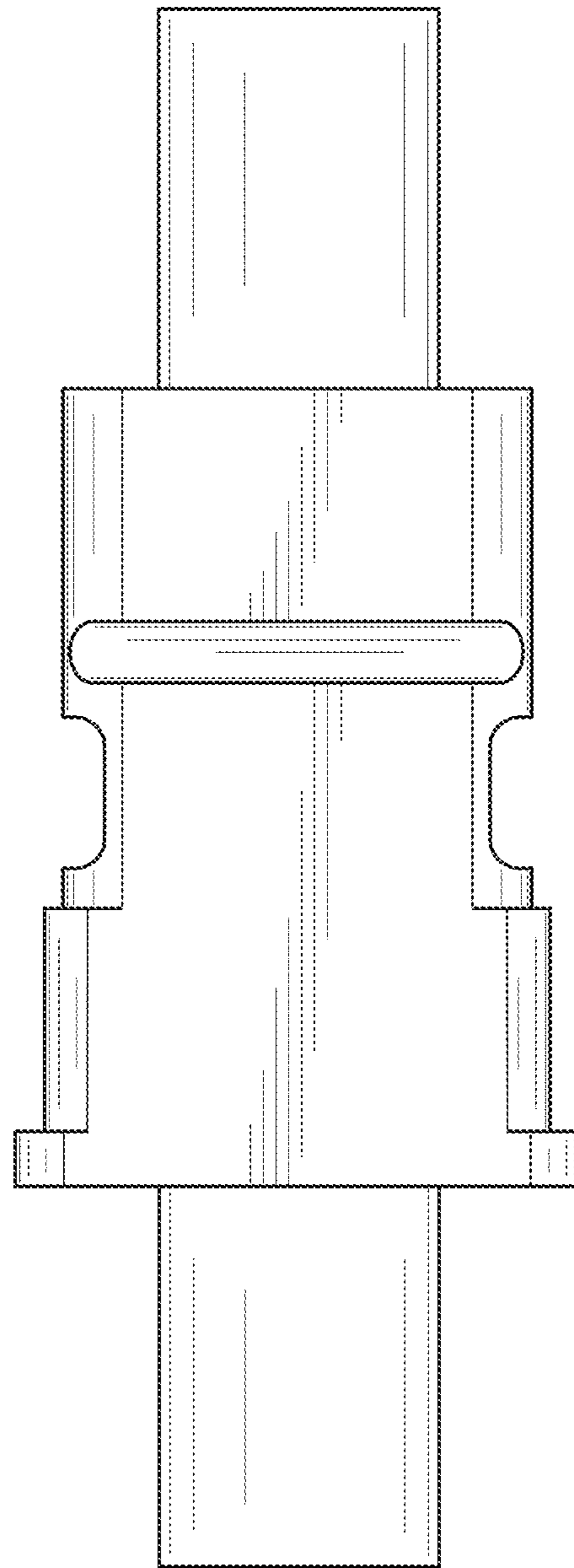
**FIG. 14**



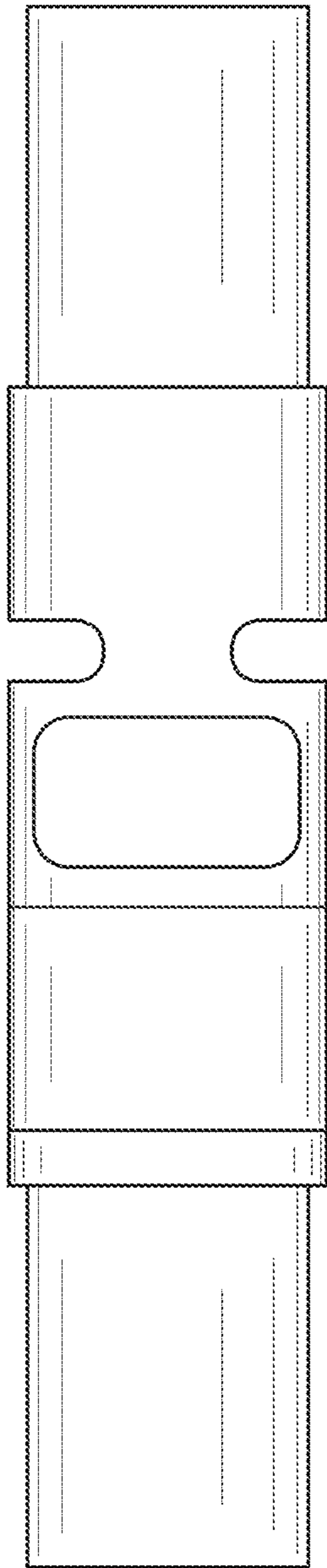
**FIG. 15**



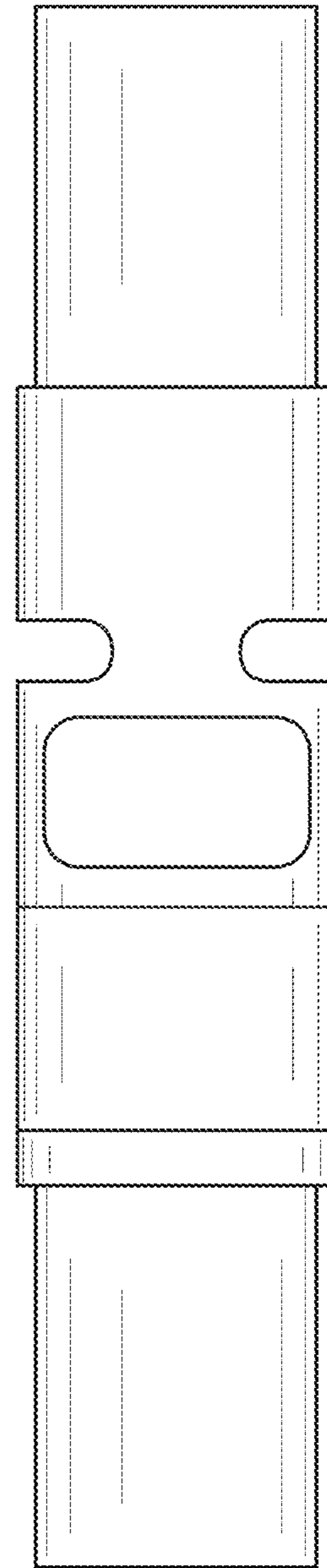
**FIG. 16**



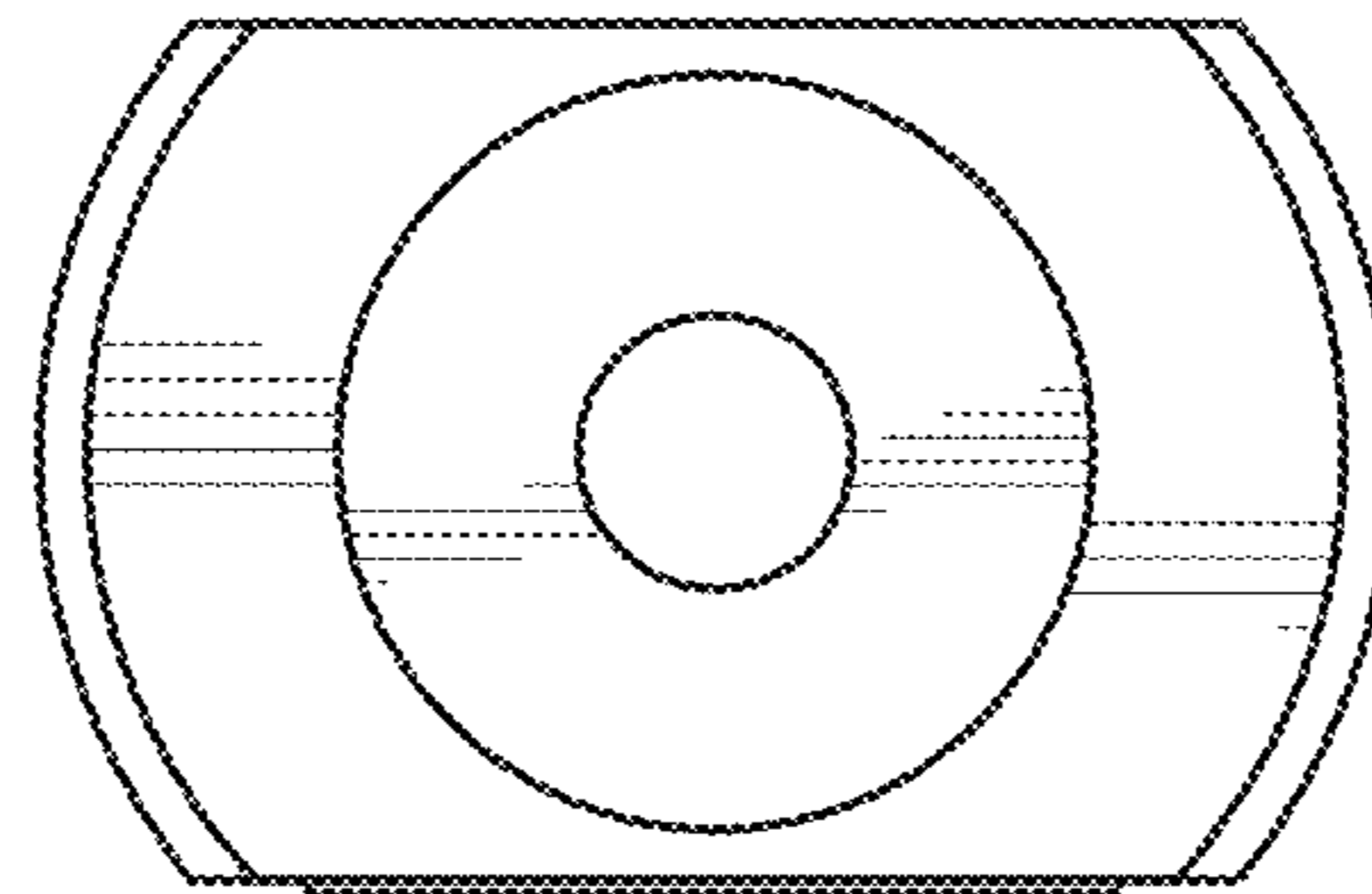
**FIG. 17**



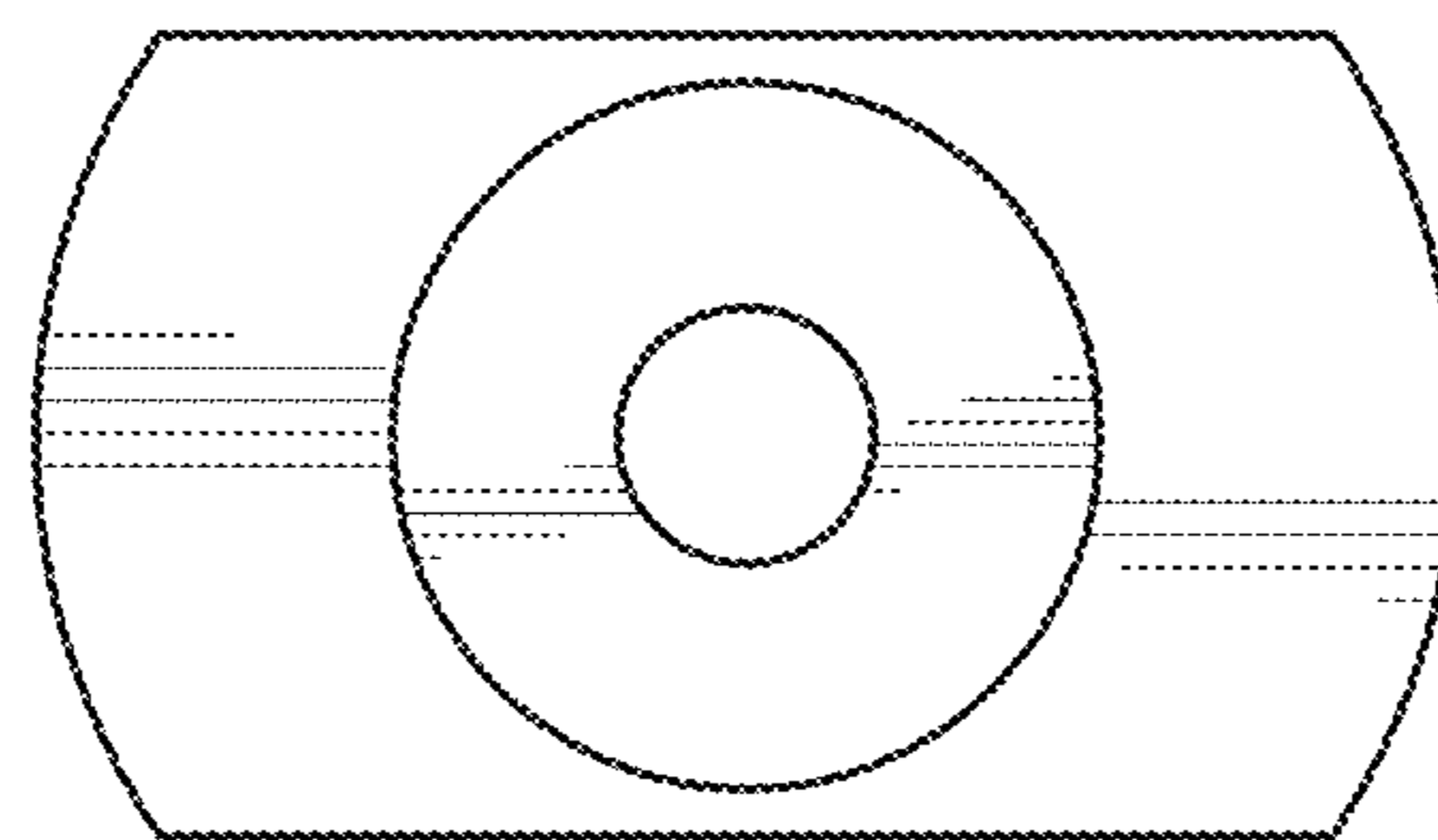
**FIG. 18**



**FIG. 19**



**FIG. 20**



**FIG. 21**