



US00D946429S

(12) **United States Design Patent**  
**Shen et al.**

(10) **Patent No.:** **US D946,429 S**  
(45) **Date of Patent:** **\*\* Mar. 22, 2022**

(54) **LIDAR**

(71) Applicant: **HESAI TECHNOLOGY CO., LTD.**,  
Shanghai (CN)

(72) Inventors: **Shilin Shen**, Shanghai (CN); **Shaoqing Xiang**, Shanghai (CN)

(73) Assignee: **HESAI TECHNOLOGY CO., LTD.**,  
Shanghai (CN)

(\*\*) Term: **15 Years**

(21) Appl. No.: **29/720,509**

(22) Filed: **Jan. 14, 2020**

(30) **Foreign Application Priority Data**

Aug. 14, 2019 (CN) ..... 201930441034.8

(51) **LOC (13) Cl.** ..... **10-04**

(52) **U.S. Cl.**  
USPC ..... **D10/70**

(58) **Field of Classification Search**  
USPC ... D10/46, 47, 49, 61–62, 64–66, 70–78, 80  
CPC ..... G01S 7/481; G01S 7/4813; G01S 7/4863;  
G01S 7/51; G01S 7/521; G01S 17/93;  
G01S 17/931; G01S 2013/9327; G01S  
2013/93271–93277; G05D 2201/0213;  
G06T 2207/30252  
See application file for complete search history.

(56) **References Cited**

**U.S. PATENT DOCUMENTS**

6,772,828 B1 \* 8/2004 Chen ..... F28F 3/02  
165/185  
7,961,301 B2 \* 6/2011 Earhart ..... G01S 17/87  
356/4.01

D736,657 S \* 8/2015 Detering ..... D10/46  
D738,235 S \* 9/2015 Riegl ..... D10/66  
D823,306 S \* 7/2018 Riegl ..... D14/420  
10,183,480 B2 \* 1/2019 Abe ..... B41K 1/02  
D849,566 S \* 5/2019 Klintworth ..... D10/46  
10,295,656 B1 \* 5/2019 Li ..... G01S 7/4818  
D862,257 S \* 10/2019 Wang ..... D10/70  
D896,862 S \* 9/2020 Sun ..... D16/202  
2004/0183661 A1 \* 9/2004 Bowman ..... G08G 1/165  
340/435  
2019/0212418 A1 \* 7/2019 Lee ..... G01S 7/4813  
2019/0377061 A1 \* 12/2019 Kobayashi ..... G01S 13/867  
2020/0035722 A1 \* 1/2020 Toyoguchi ..... H01L 27/1463  
2020/0233090 A1 \* 7/2020 Leppin ..... G01B 11/14

**FOREIGN PATENT DOCUMENTS**

CN 201830618784.3 \* 11/2018

\* cited by examiner

*Primary Examiner* — Katherine Glennon

(74) *Attorney, Agent, or Firm* — Enshan Hong; MagStone Law, LLP

(57) **CLAIM**

The ornamental design for a lidar, as shown and described.

**DESCRIPTION**

FIG. 1 is a perspective view of a lidar showing my new design;

FIG. 2 is a front view thereof;

FIG. 3 is a back view thereof;

FIG. 4 is a left view thereof;

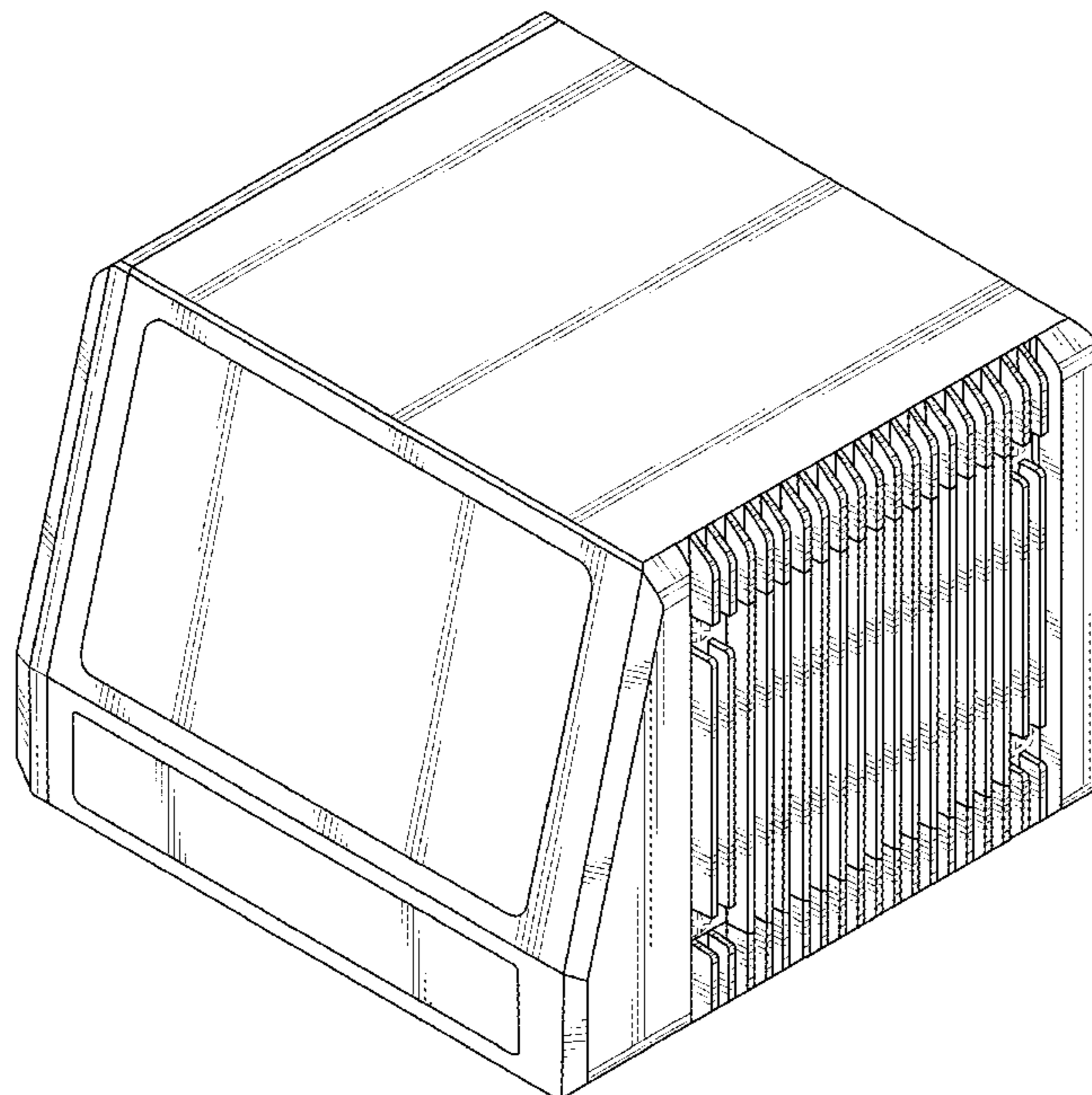
FIG. 5 is a right view thereof;

FIG. 6 is a top view thereof; and,

FIG. 7 is a bottom view thereof.

The portions of the article shown in broken lines form no part of the claimed design.

**1 Claim, 7 Drawing Sheets**



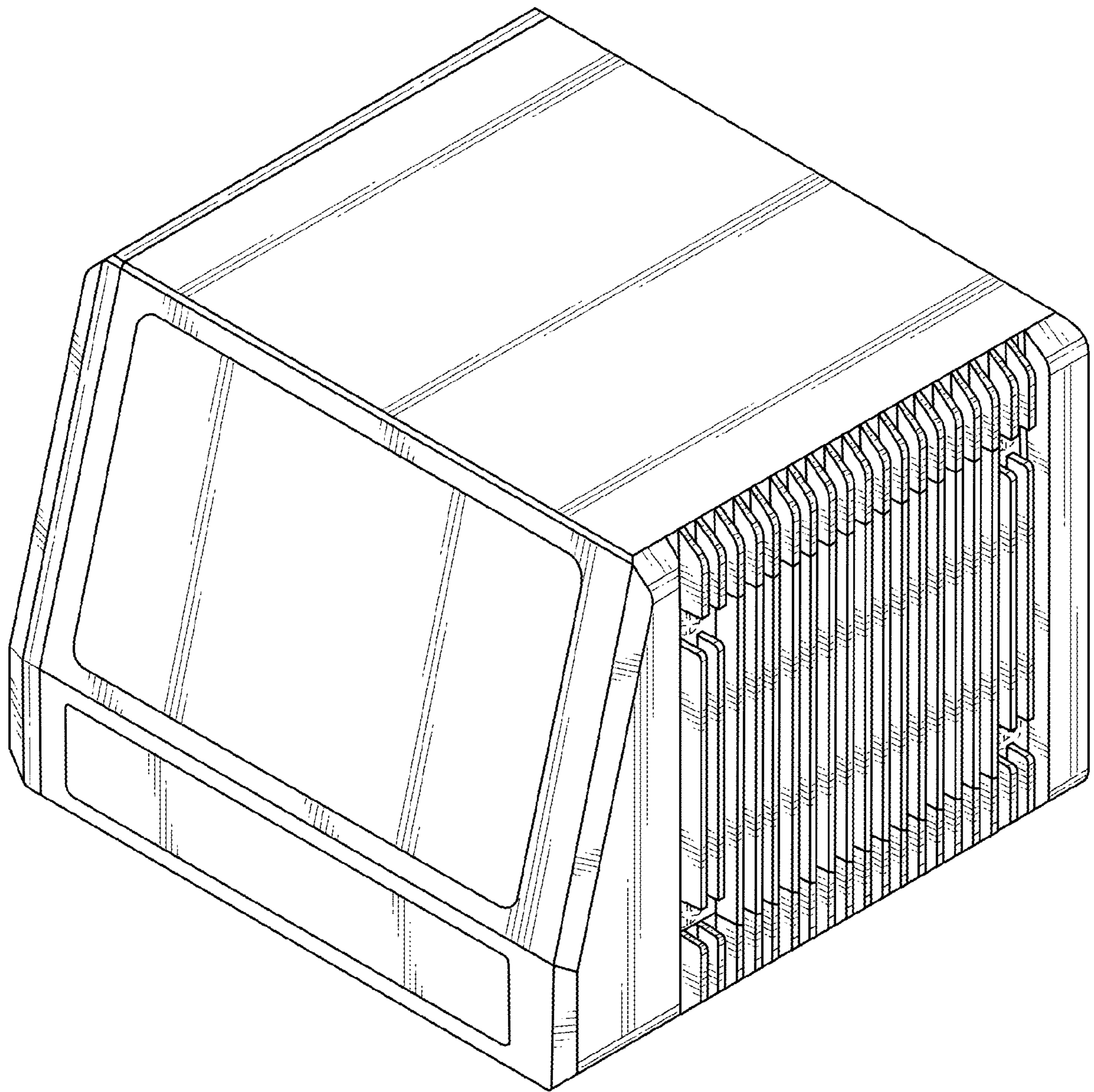


FIG. 1

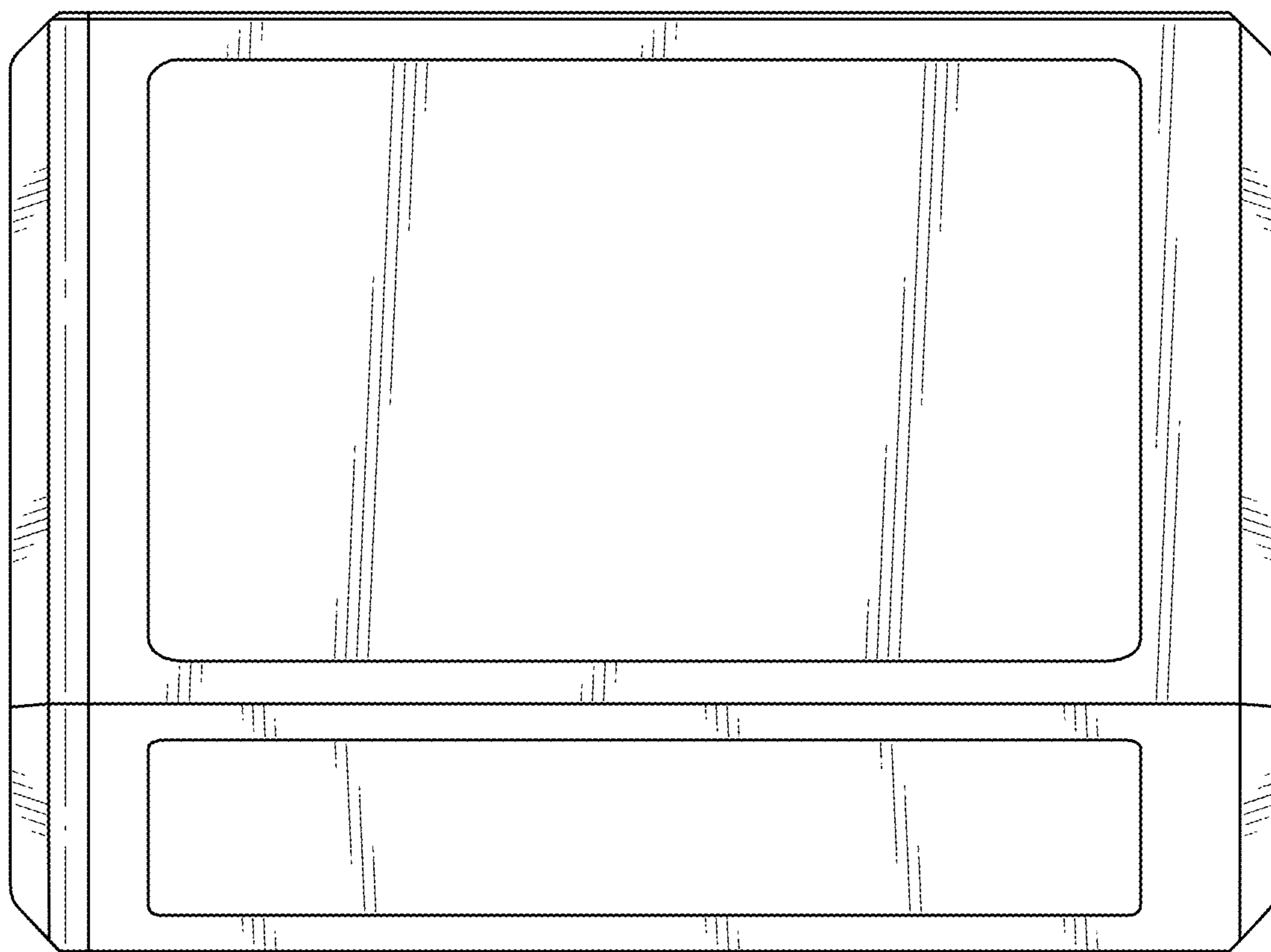


FIG. 2

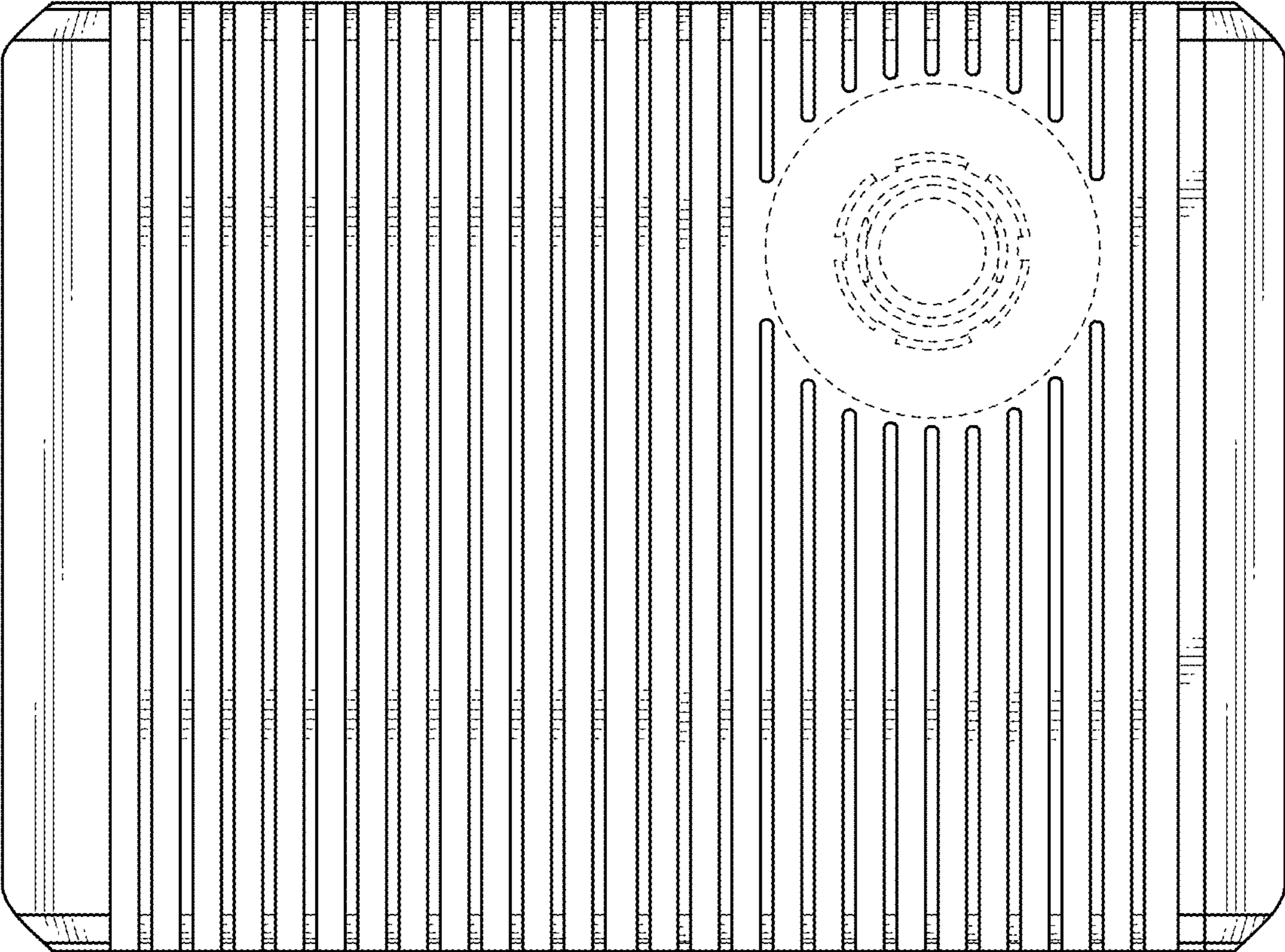


FIG. 3

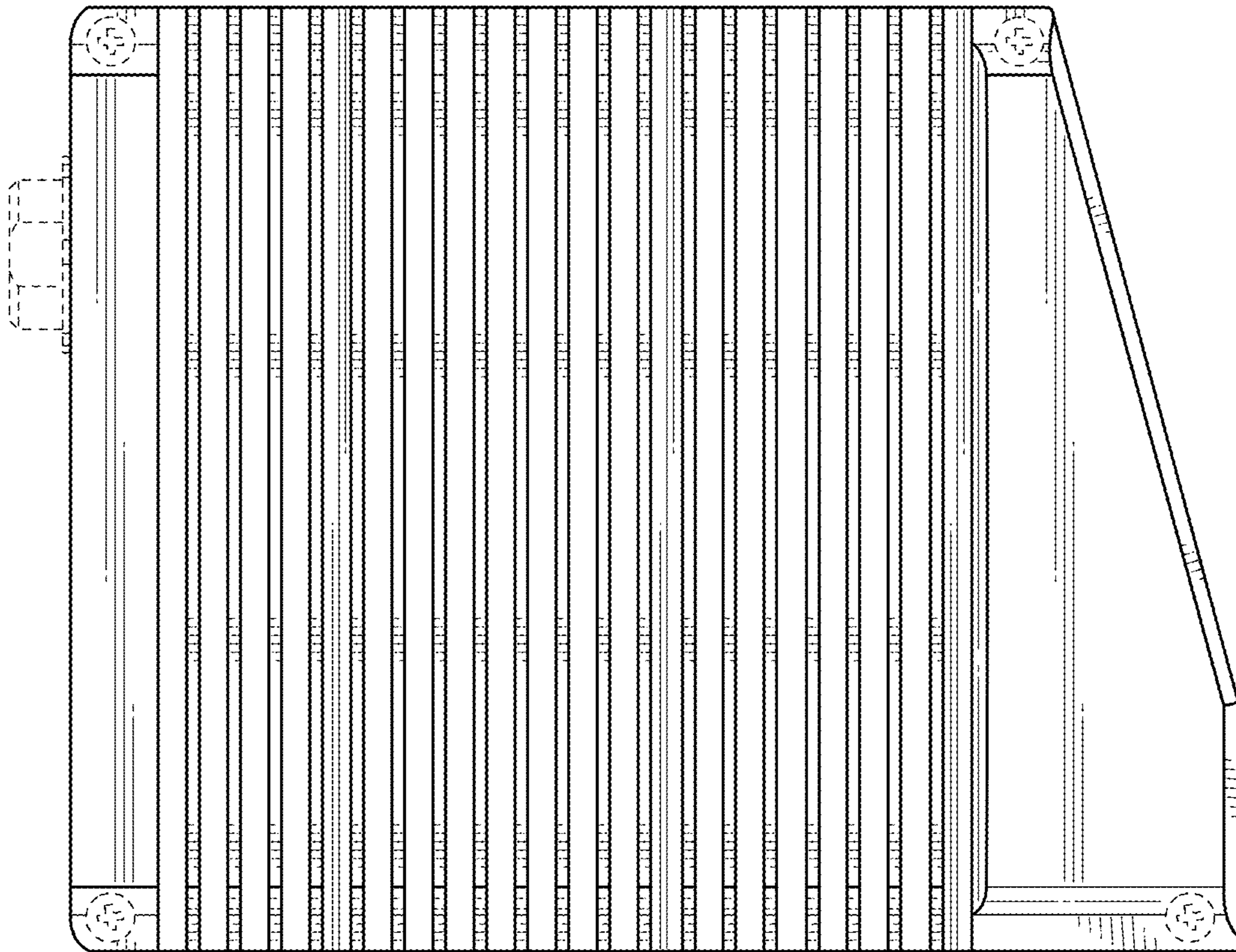


FIG. 4

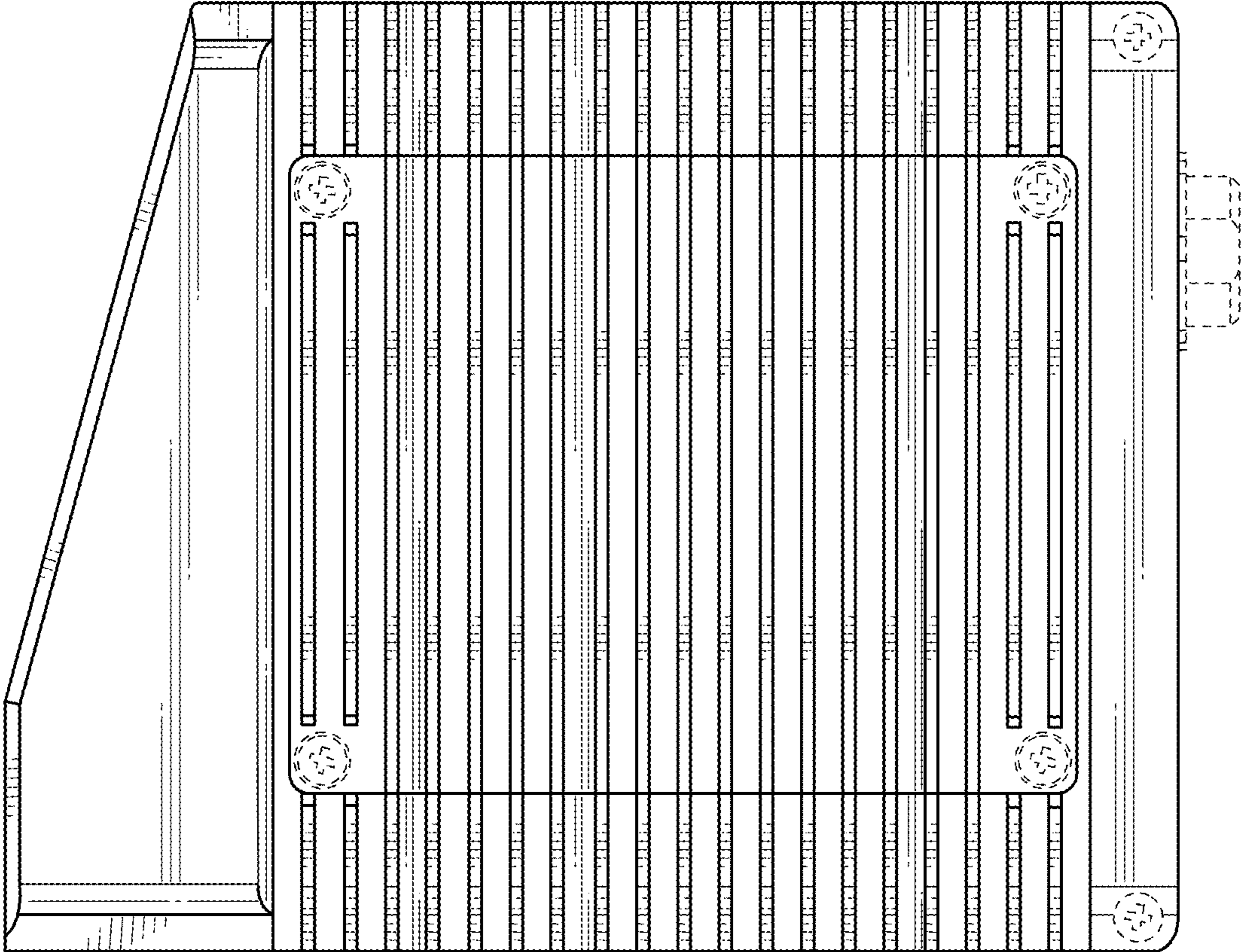


FIG. 5

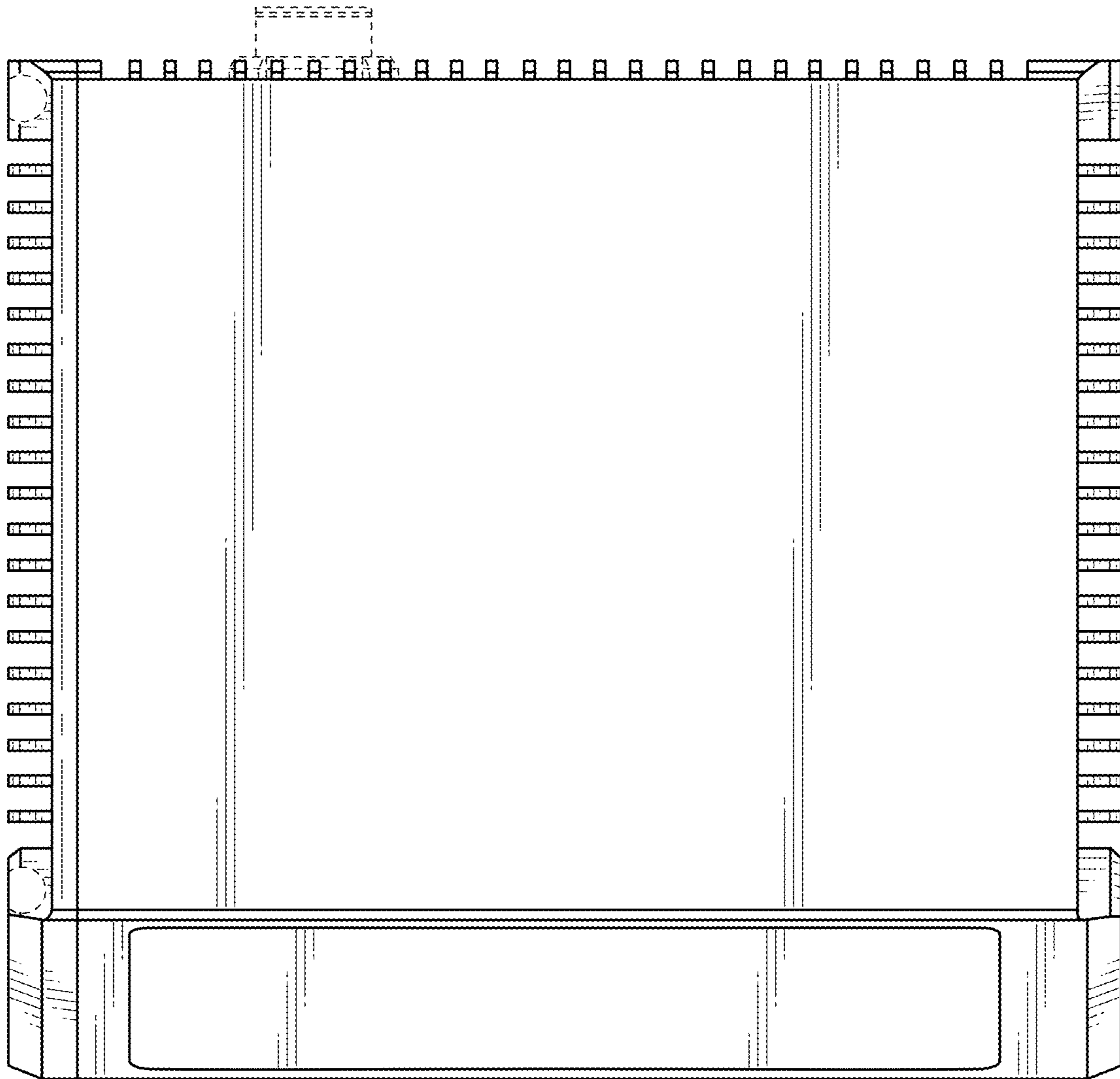


FIG. 6

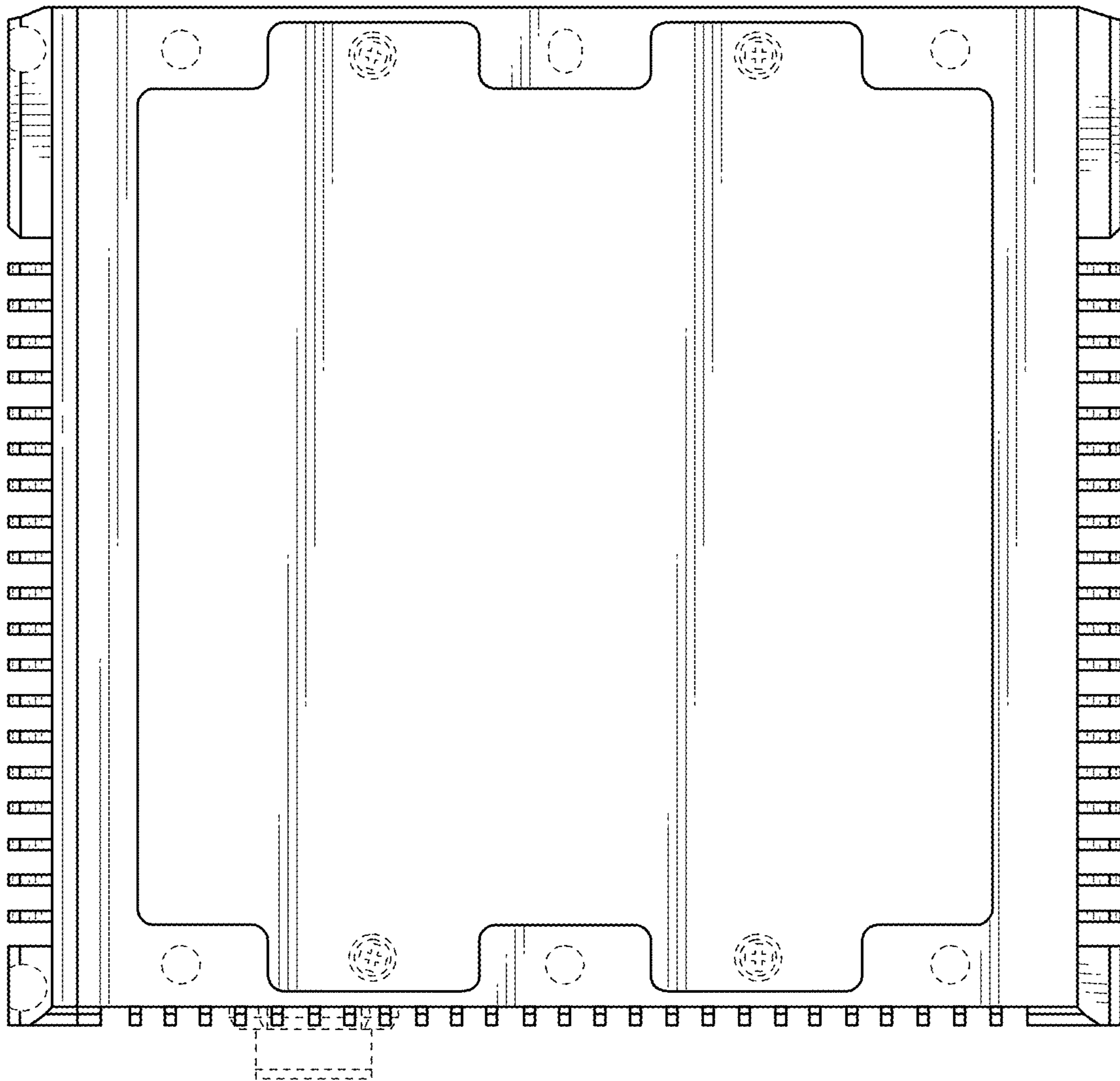


FIG. 7