



US00D946428S

(12) **United States Design Patent**  
**Li et al.**

(10) **Patent No.:** **US D946,428 S**

(45) **Date of Patent:** **\*\* Mar. 22, 2022**

(54) **LASER LEVEL**

G02B 6/422; G02B 6/4222; G02B 6/4225; G02B 6/4221; G02B 6/4234; C03B 2215/413;

(71) Applicant: **Aukey Technology Co., Ltd**, Shenzhen (CN)

(Continued)

(72) Inventors: **Mingkai Li**, Shenzhen (CN); **Bo Du**, Shenzhen (CN); **Huiyue Ze**, Shenzhen (CN)

(56) **References Cited**

U.S. PATENT DOCUMENTS

(73) Assignee: **Aukey Technology Co., Ltd**, Shenzhen (CN)

D470,424 S \* 2/2003 Hand ..... D10/69  
D538,688 S \* 3/2007 Snider ..... D10/69

(Continued)

(\*\*) Term: **15 Years**

FOREIGN PATENT DOCUMENTS

(21) Appl. No.: **29/727,668**

EM 007749122-0002 \* 3/2020  
GB 9007749122-0002 \* 3/2020

(22) Filed: **Mar. 12, 2020**

*Primary Examiner* — L. A. Grabenstetter

(51) **LOC (13) Cl.** ..... **10-04**

*Assistant Examiner* — Antoinette Martine Suiter

(52) **U.S. Cl.**  
USPC ..... **D10/69**

(74) *Attorney, Agent, or Firm* — Westbridge IP LLC

(58) **Field of Classification Search**

(57) **CLAIM**

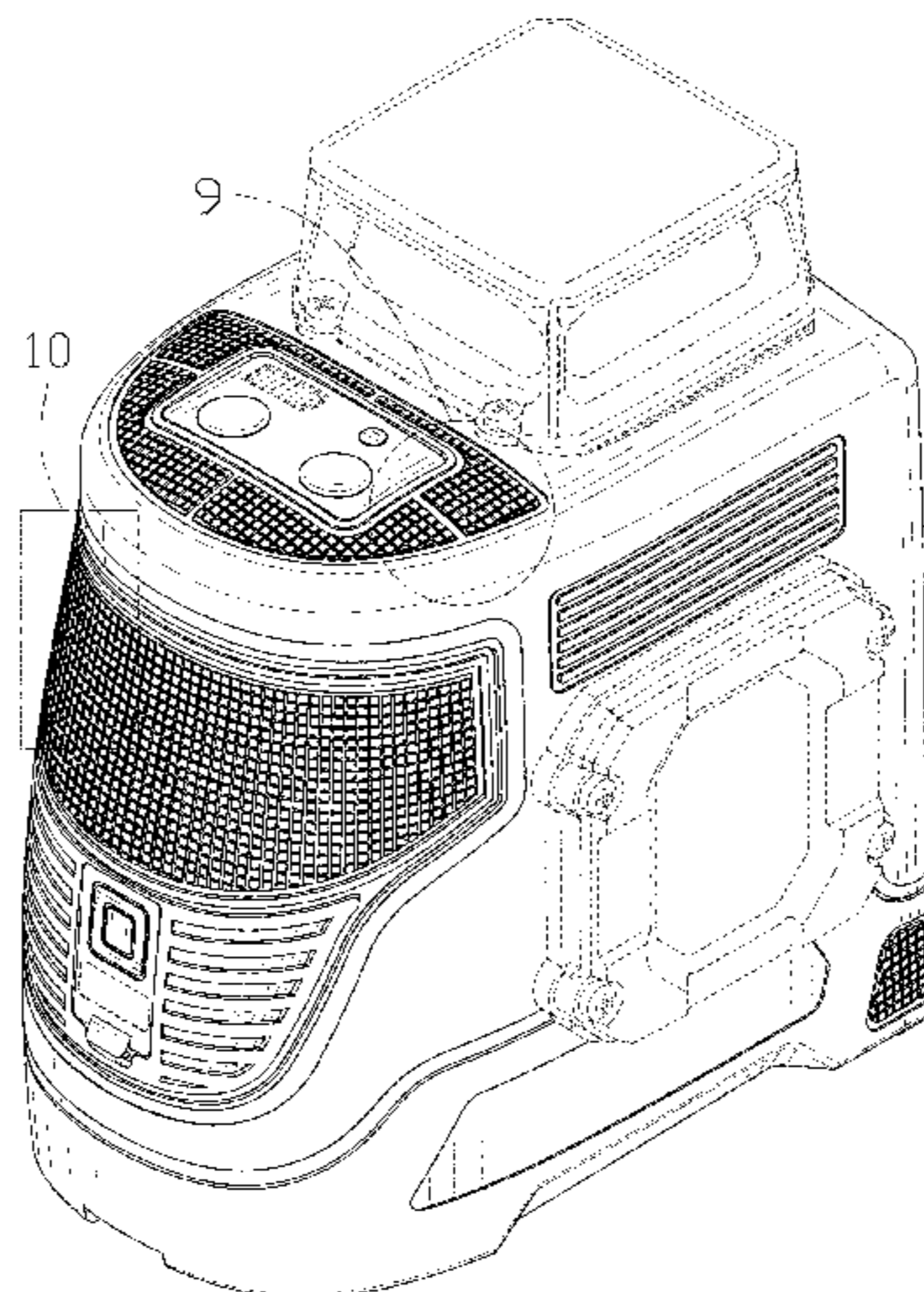
USPC .... D10/75, 69, 70; D14/125, 497, 203, 498; D16/200, 202, 203, 204, 221  
CPC . G01C 9/00; G01C 9/005; G01C 9/02; G01C 9/04; G01C 9/06; G01C 9/08; G01C 9/10; G01C 9/12; G01C 9/14; G01C 9/16; G01C 9/18; G01C 9/20; G01C 9/22; G01C 9/24; G01C 9/26; G01C 9/28; G01C 9/30; G01C 9/32; G01C 9/34; G01C 9/36; G01C 2009/005; G01C 2009/062; G01C 2009/064; G01C 2009/066; G01C 2009/068; G01C 2009/102; G01C 2009/105; G01C 2009/107; G01C 2009/182; G01C 2009/185; G01C 2009/187; G01C 5/00; G01C 15/004; G01C 25/00; G01C 21/20; G01C 15/002; G01C 15/008; G03F 9/70; G03F 9/7049; G03F 9/7076; G03F 9/7046; G03F 7/7085; G03F 9/7088; G01P 3/36; G01B 11/028; G01B 11/272; G01B 11/26; G01B 11/14; G01B 11/002; G01B 11/026; G02B 27/644; G02B 27/64; G02B 27/646; G02B 27/32; G02B 27/648; G02B 6/385; G02B 6/3843;

The ornamental design for a laser level, as shown and described.

**DESCRIPTION**

FIG. 1 is a front, right, top perspective view of a laser level showing our new design;  
FIG. 2 is a rear, left, bottom perspective view thereof;  
FIG. 3 is a front elevational view thereof;  
FIG. 4 is a rear elevational view thereof;  
FIG. 5 is a left side view thereof;  
FIG. 6 is a right side view thereof;  
FIG. 7 is a top plan view thereof;  
FIG. 8 is a bottom plan view thereof;  
FIG. 9 is an enlarged view of portion 9 in FIG. 1;  
FIG. 10 is an enlarged view of portion 10 in FIG. 1; and,  
FIG. 11 is an enlarged view of portion 11 in FIG. 2.  
The dash-dash broken lines depict portions of the laser level that form no part of the claimed design.

(Continued)



The dot-dash broken lines depict enlarged views of the laser level that form no part of the claimed design.

**1 Claim, 11 Drawing Sheets**

**(58) Field of Classification Search**

CPC ..... F41G 7/2253; F41G 7/2293; G01S 1/703;  
G01S 1/7038; G01S 1/7034; G01S 1/70;  
G01S 3/789; G01S 2201/03; G01S 3/787;  
G01S 1/7032; G01S 1/7036; G01S 17/89;  
G01S 17/48; B64G 1/36

See application file for complete search history.

**(56) References Cited**

U.S. PATENT DOCUMENTS

D587,149	S	*	2/2009	Ishii	.....	D10/66
D767,419	S	*	9/2016	Matteo	.....	D10/70
D845,156	S	*	4/2019	Gulunov	.....	D10/69
D852,070	S	*	6/2019	Lu	.....	D10/65
D881,043	S	*	4/2020	Shao	.....	D10/69
D882,427	S	*	4/2020	Shao	.....	D10/69
D917,319	S	*	4/2021	Zheng	.....	D10/70
D923,494	S	*	6/2021	Li	.....	D10/69
D929,248	S	*	8/2021	Li	.....	D10/69
2014/0352161	A1	*	12/2014	Ranieri	.....	G01C 15/004 33/291
2018/0321035	A1	*	11/2018	Yong	.....	G01C 15/004

\* cited by examiner



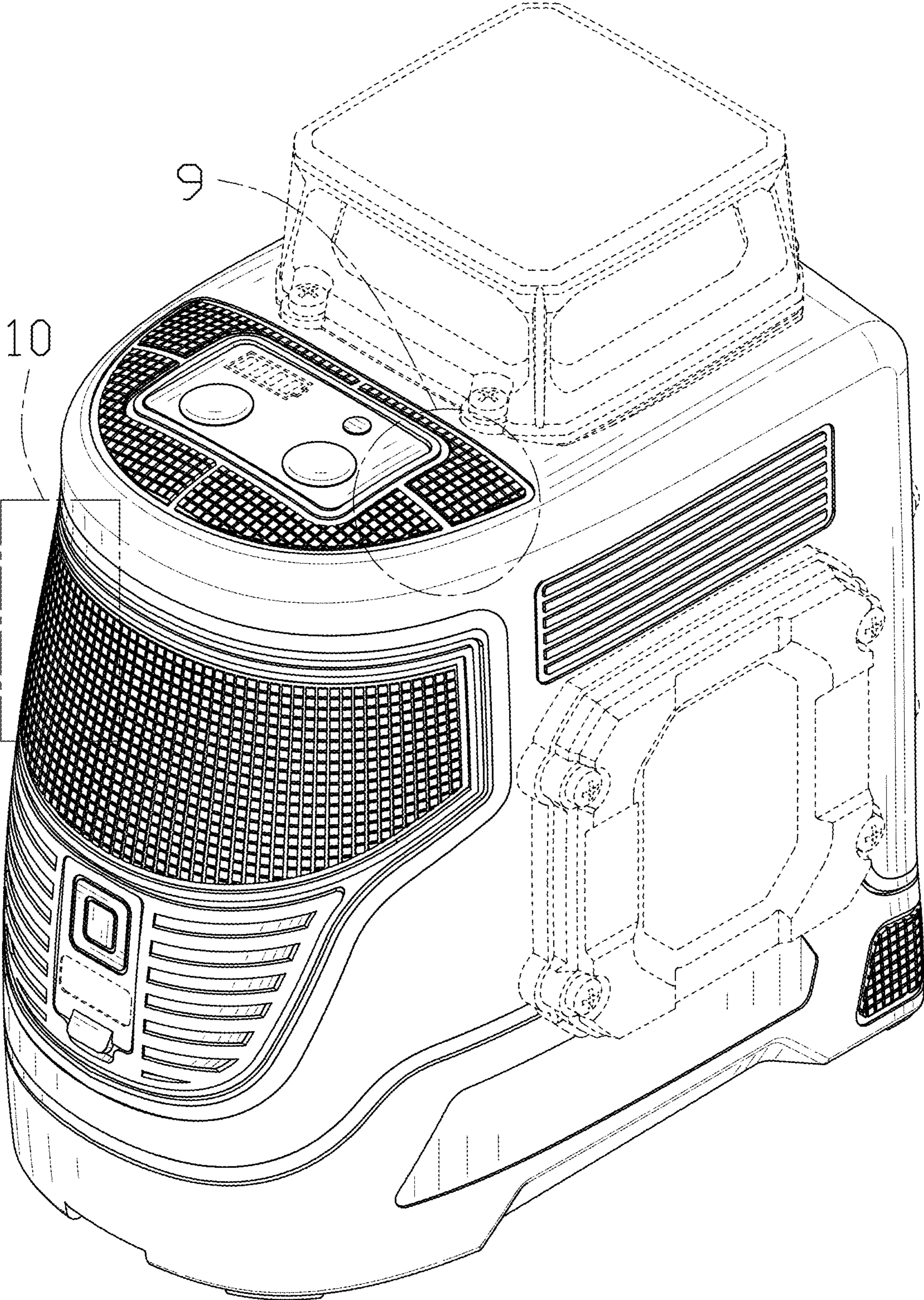


FIG. 1



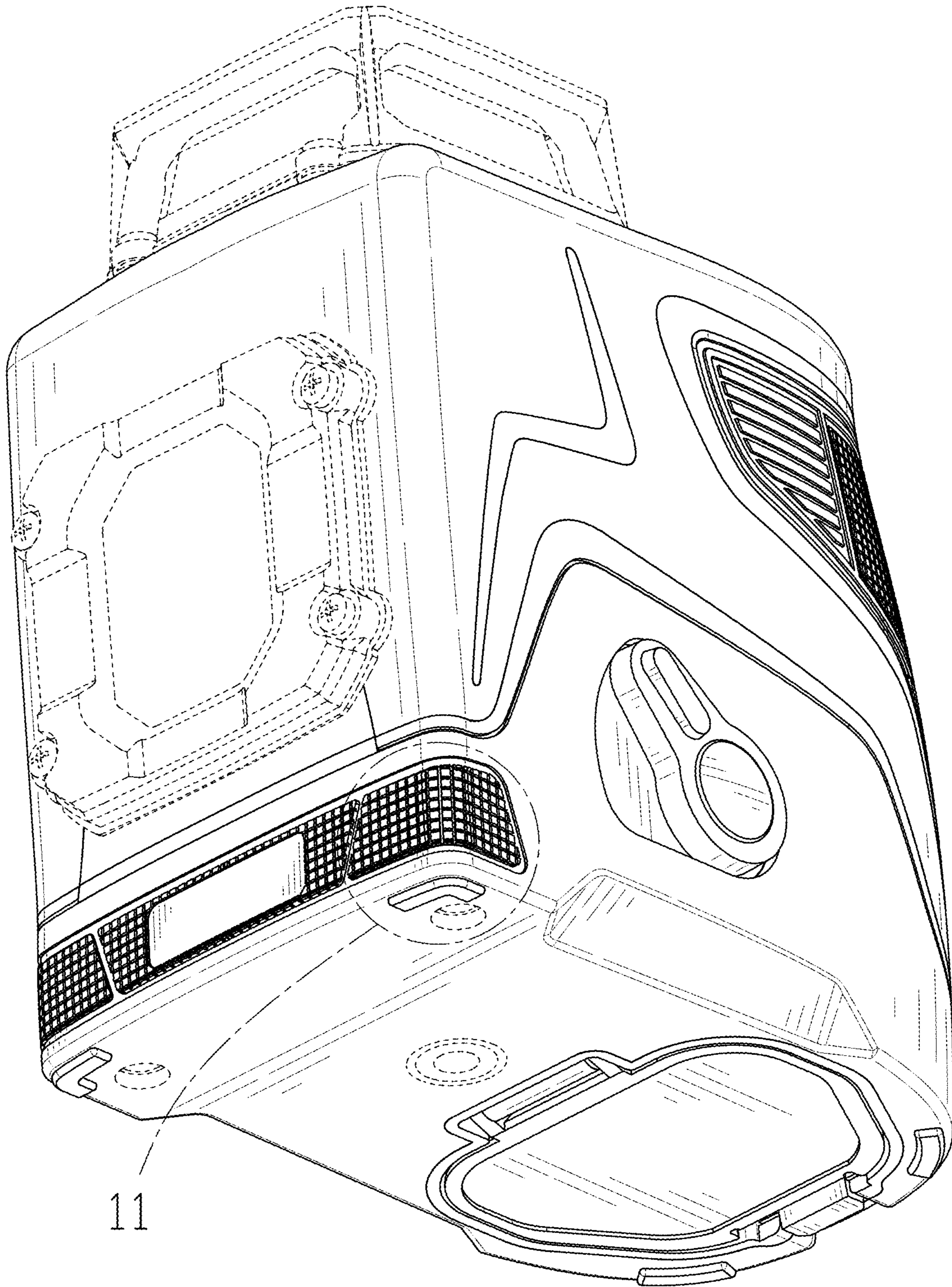


FIG. 2

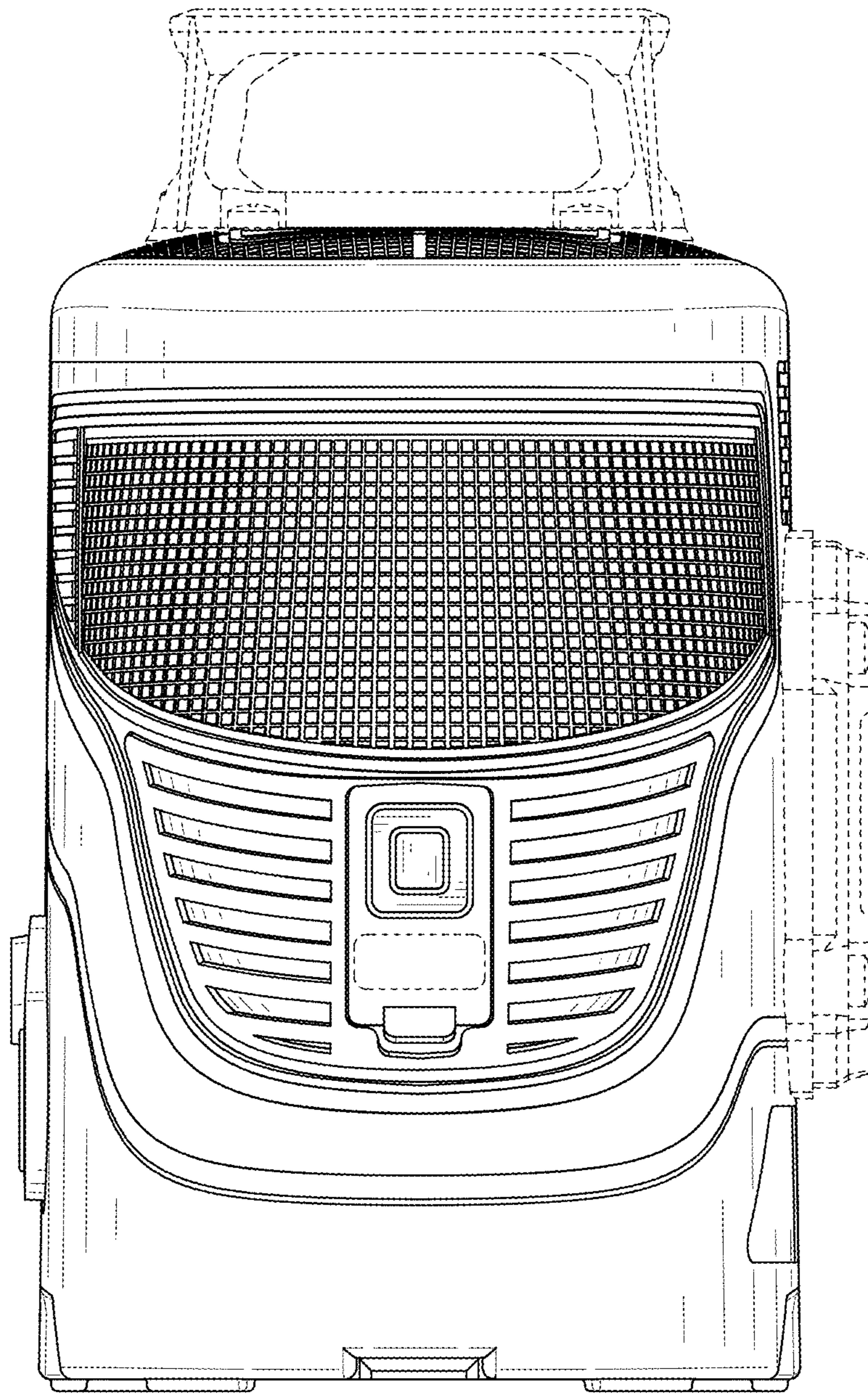


FIG. 3



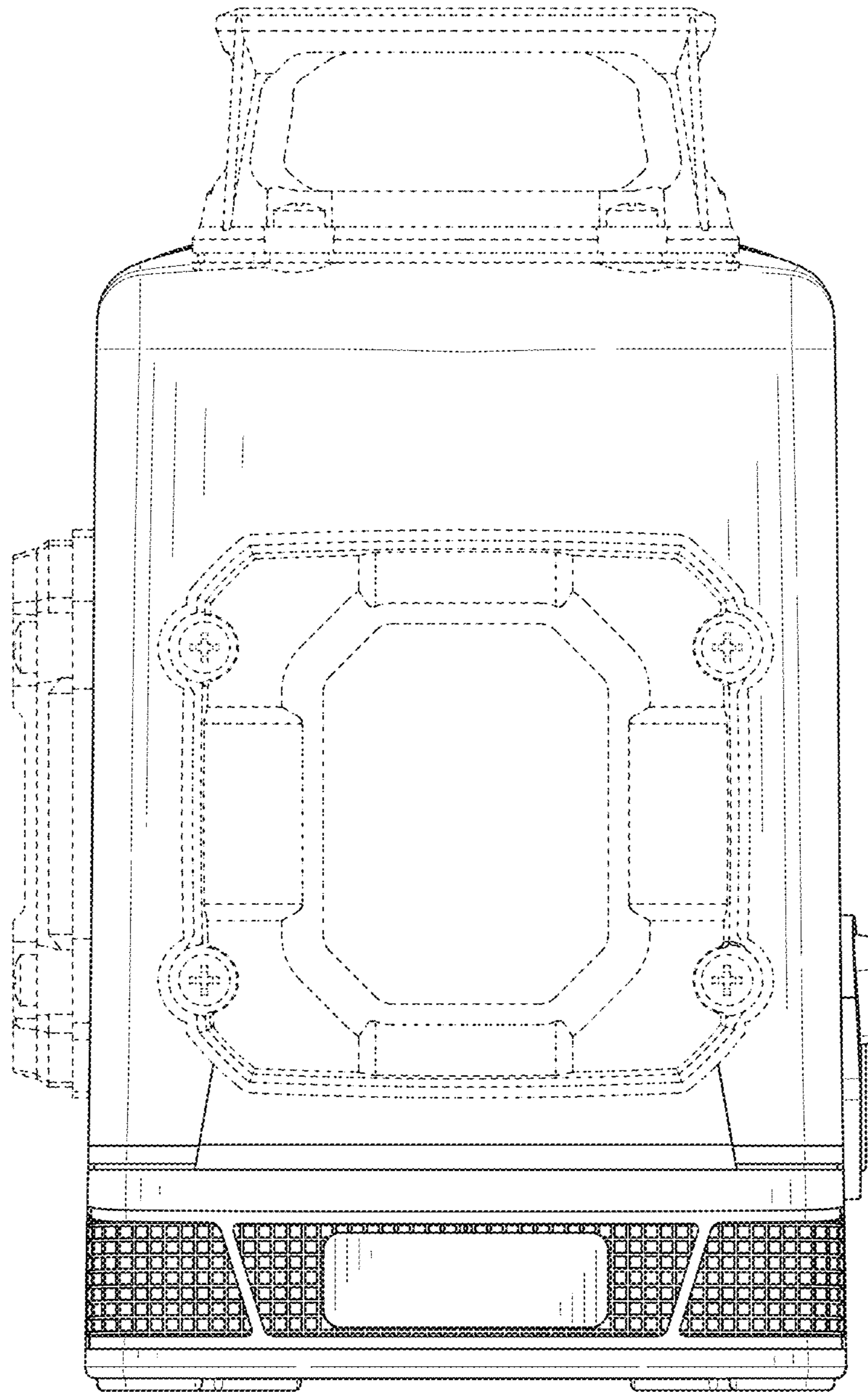


FIG. 4

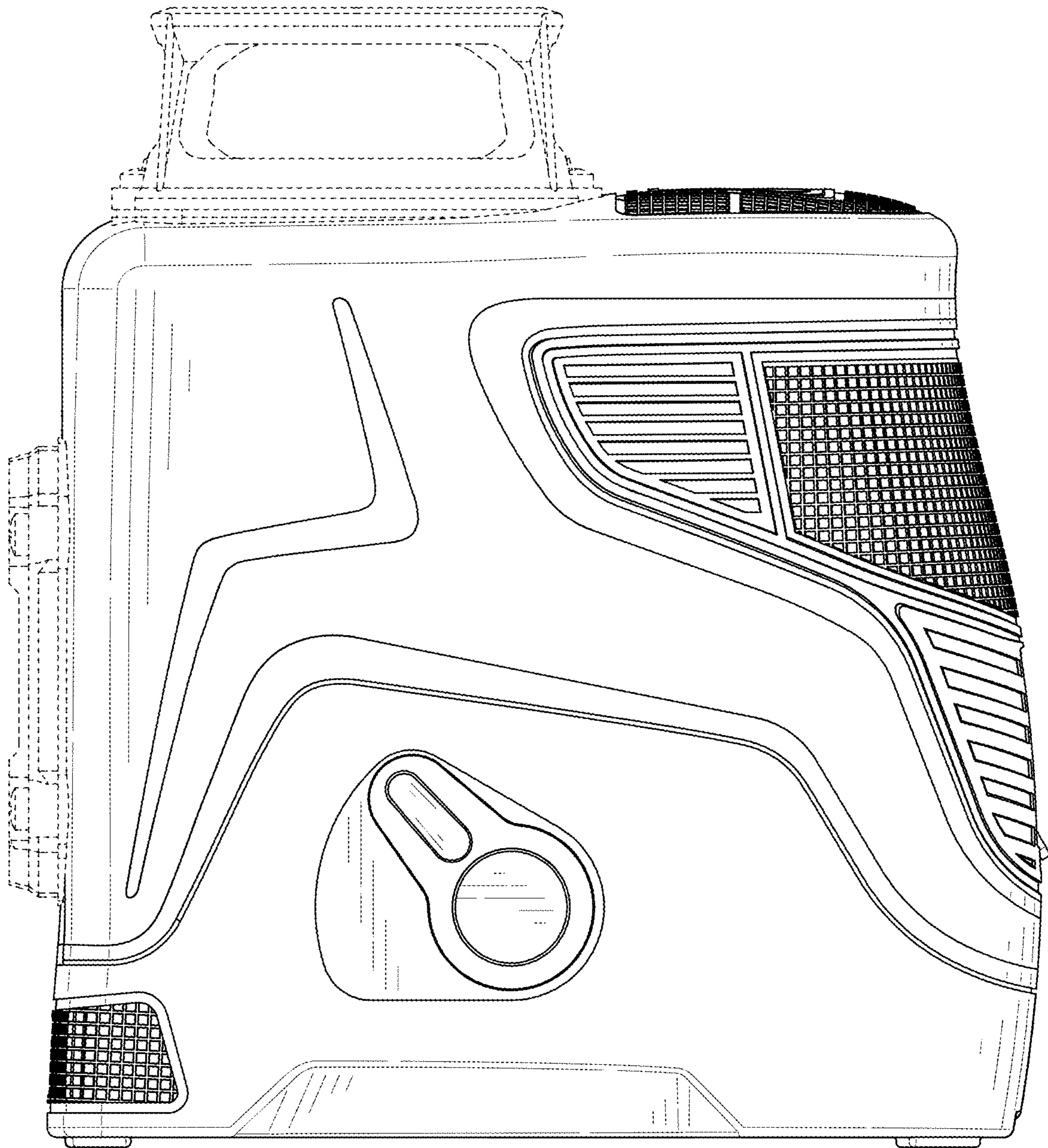


FIG. 5

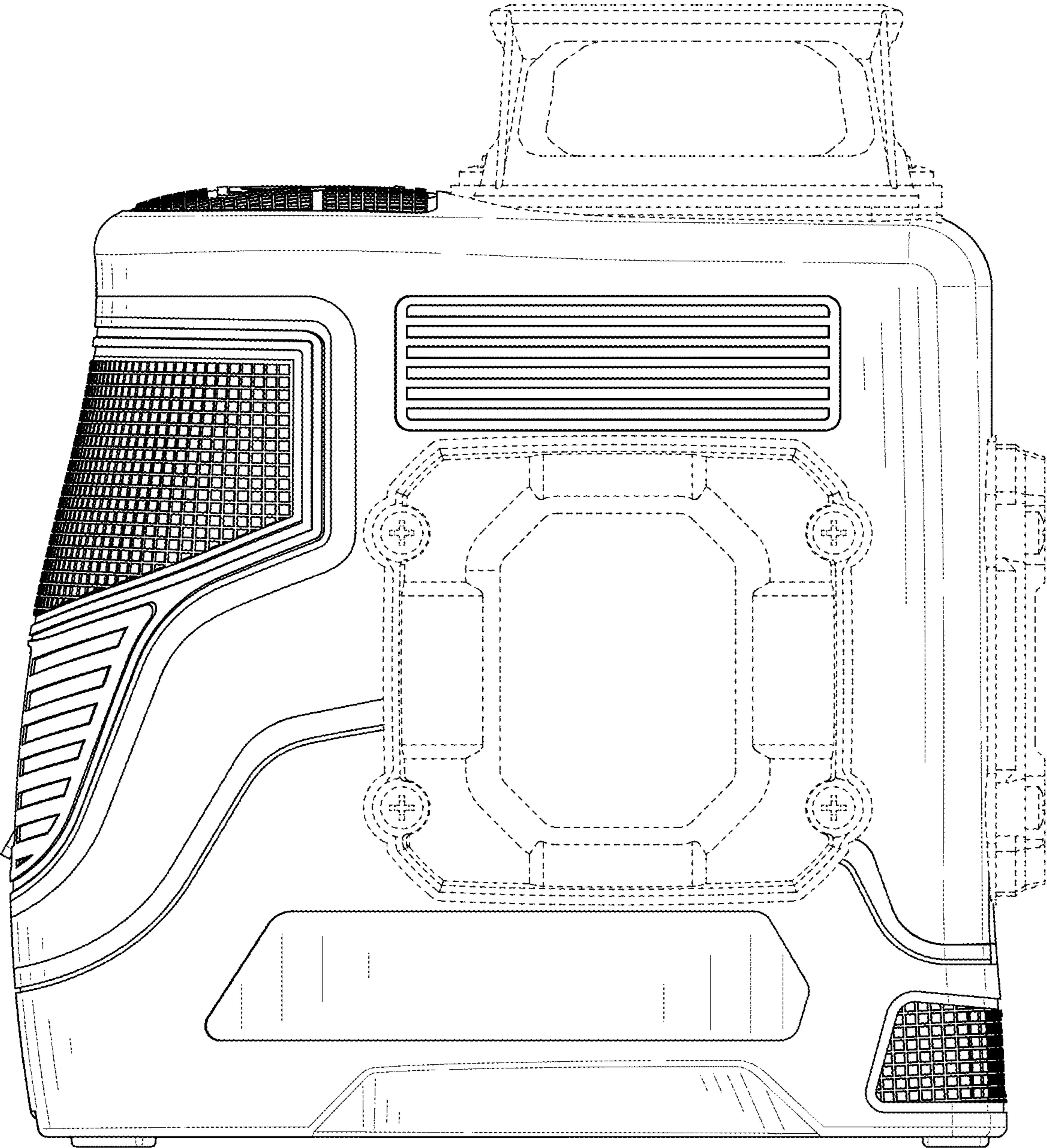


FIG. 6



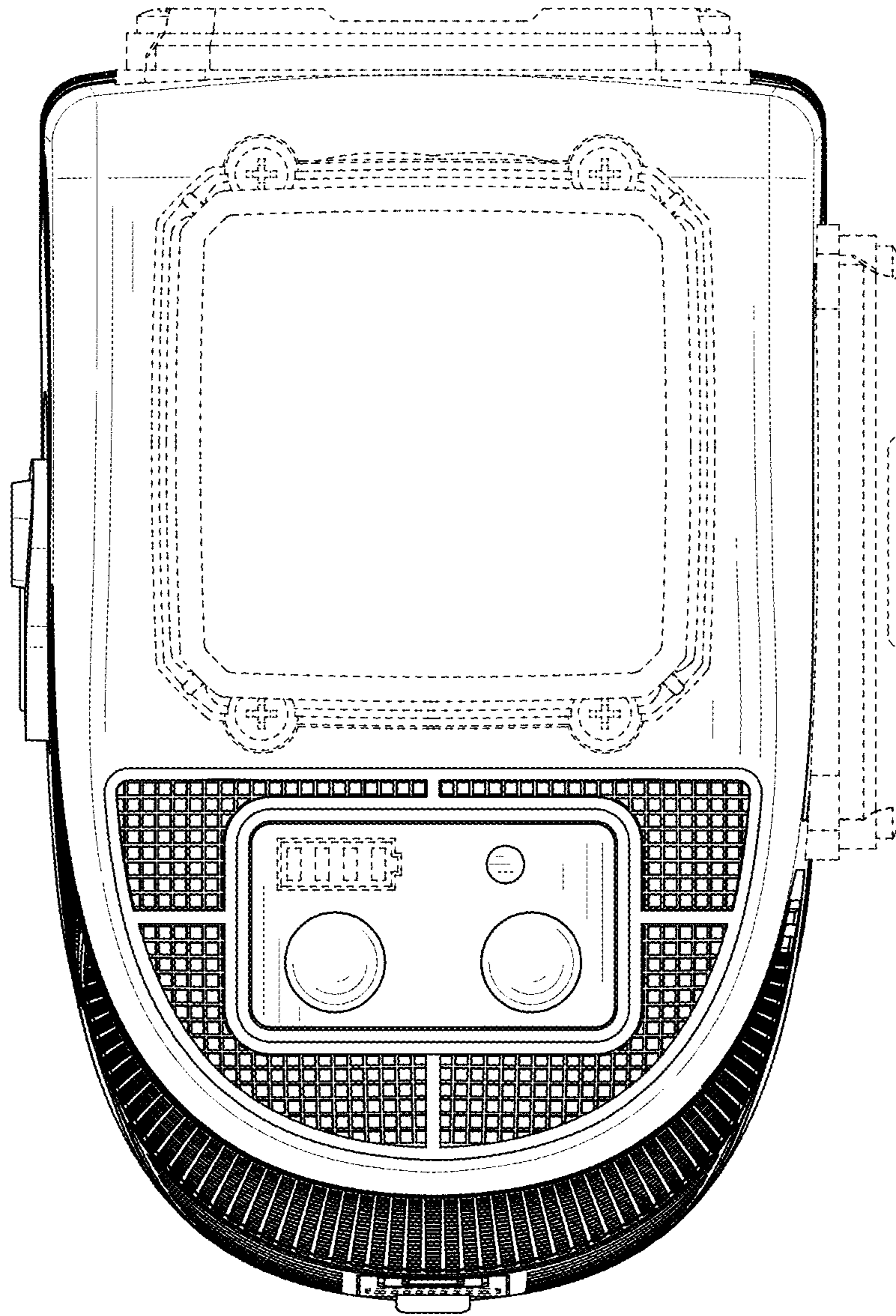


FIG. 7

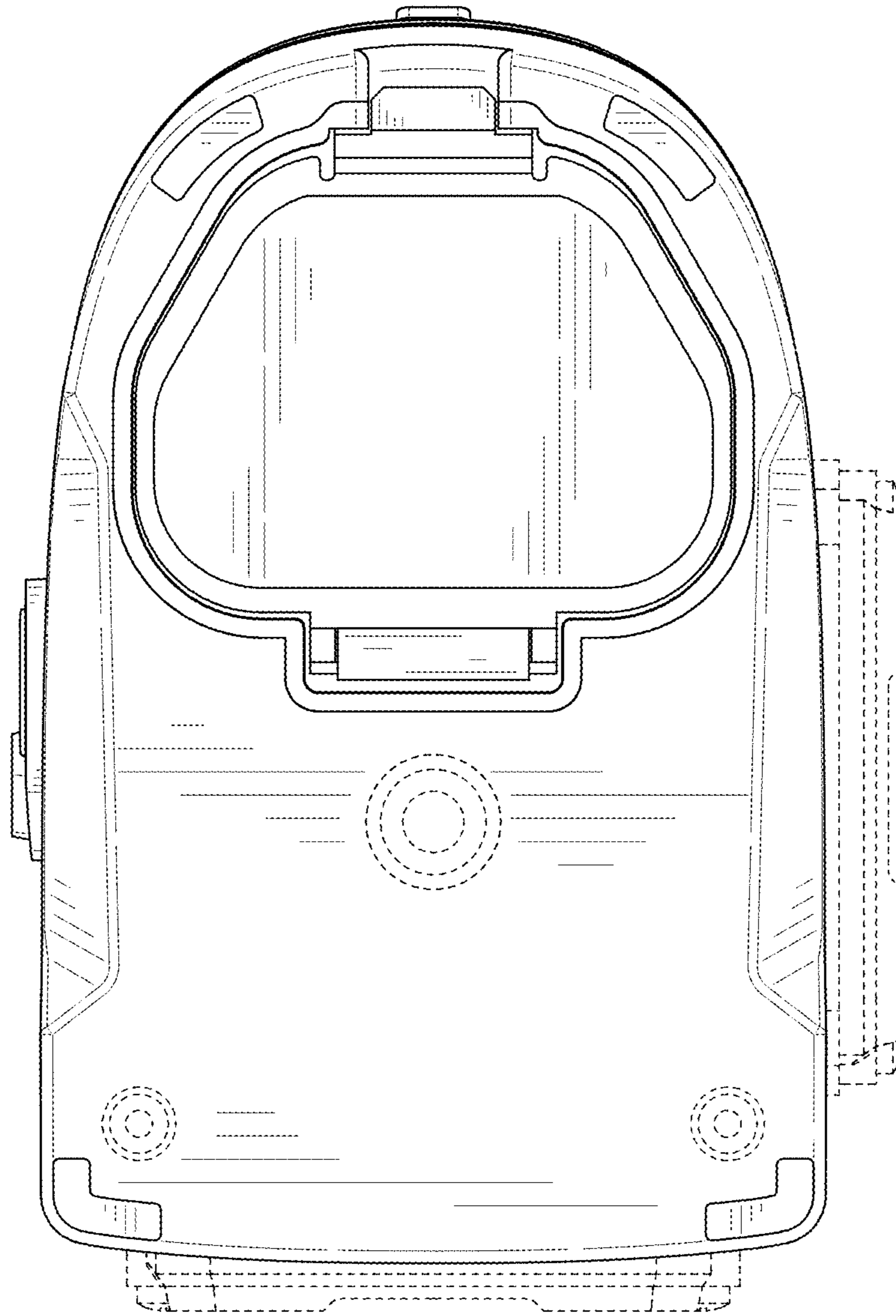


FIG. 8



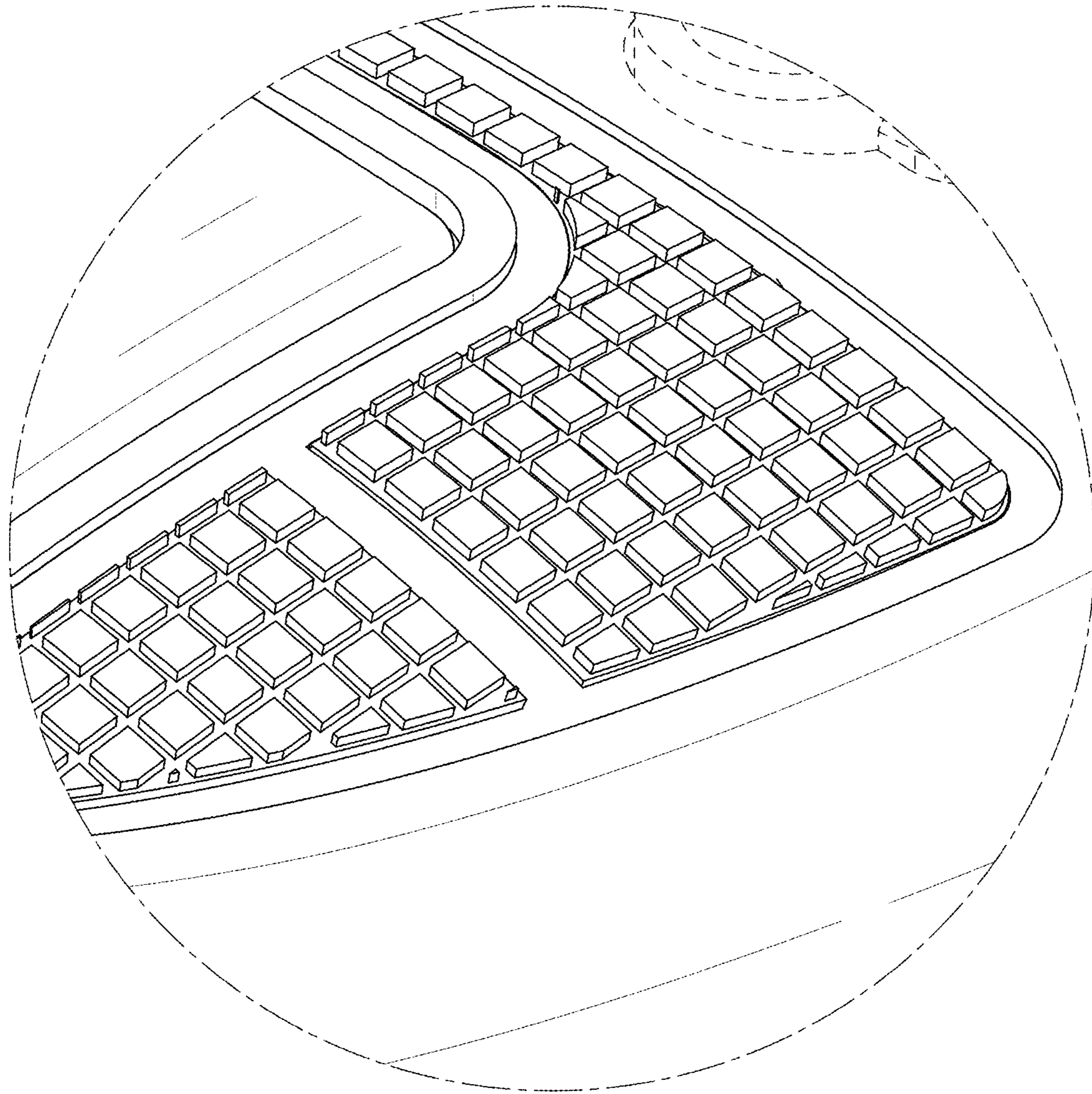


FIG. 9

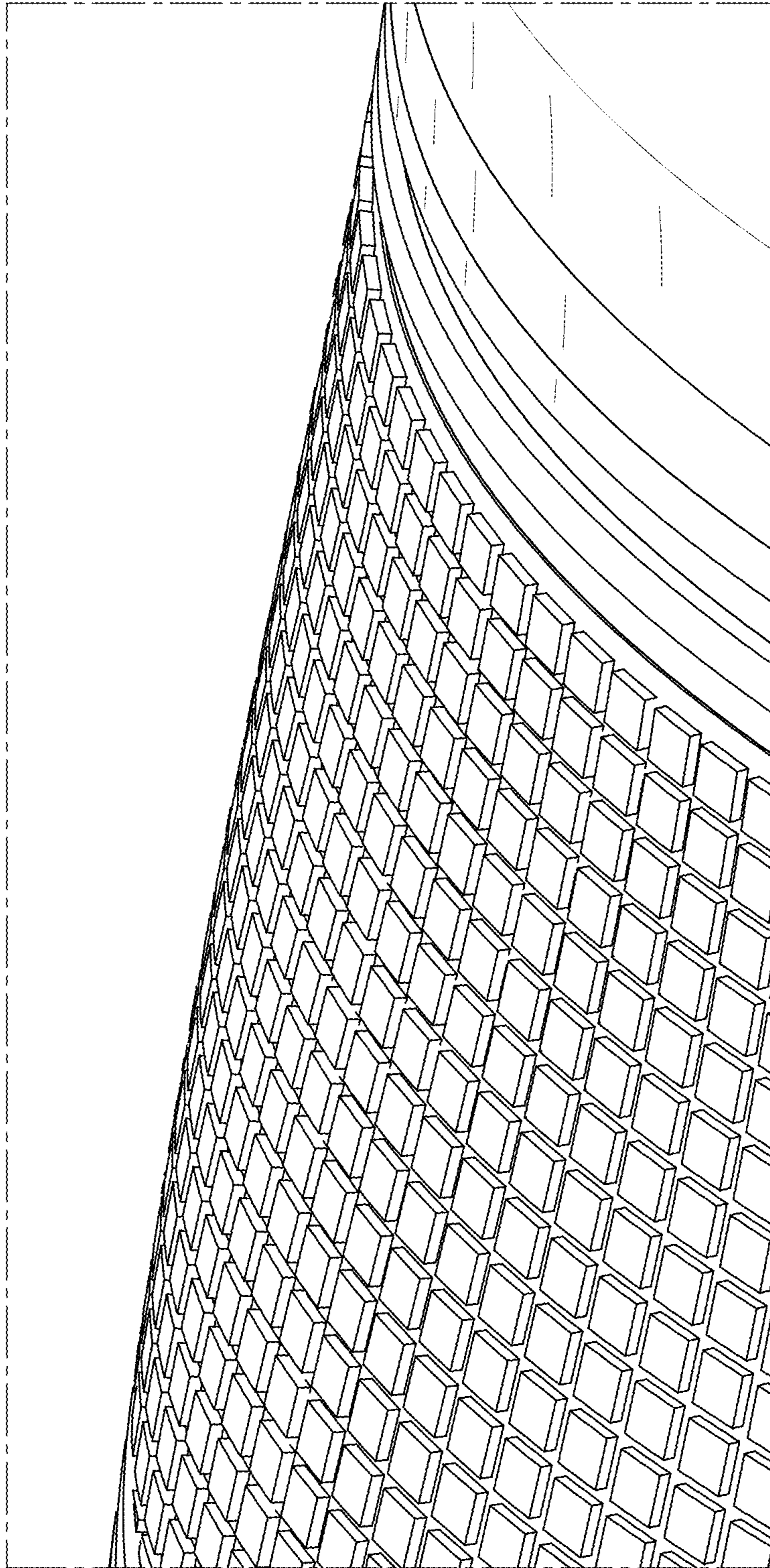


FIG. 10



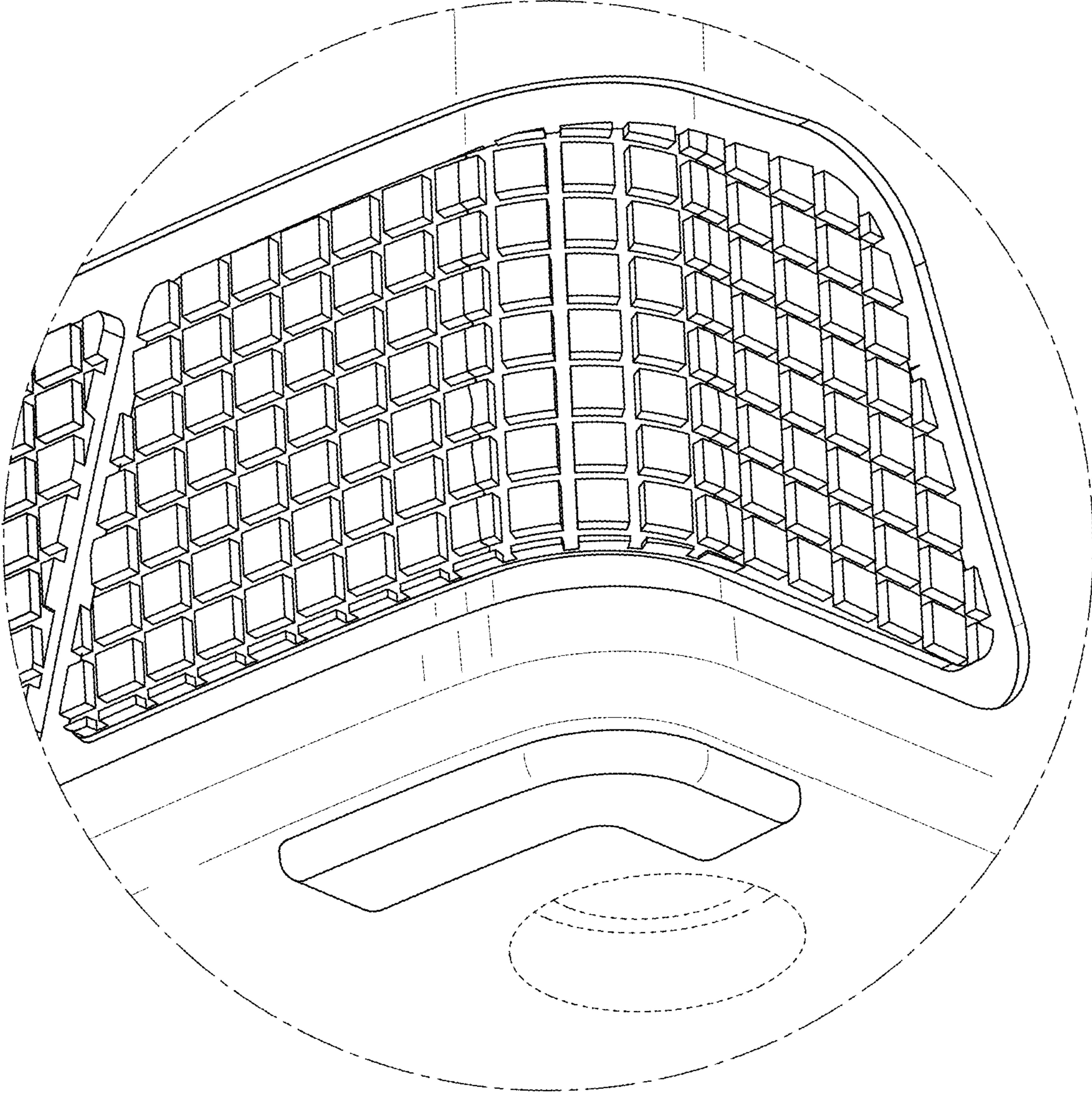


FIG. 11