



US00D946423S

(12) **United States Design Patent**
Hegi

(10) **Patent No.:** **US D946,423 S**

(45) **Date of Patent:** **** Mar. 22, 2022**

(54) **WATCH**

(71) Applicant: **LOUIS VUITTON MALLETIER**,
Paris (FR)

(72) Inventor: **Matthieu Hegi**, Vaud (CH)

(73) Assignee: **Louis Vuitton Malletier**, Paris (FR)

(**) Term: **15 Years**

(21) Appl. No.: **29/698,185**

(22) Filed: **Jul. 15, 2019**

(30) **Foreign Application Priority Data**

Jan. 17, 2019 (EM) 006049524-0002

(51) **LOC (13) Cl.** **10-02**

(52) **U.S. Cl.**
USPC **D10/39**

(58) **Field of Classification Search**
USPC D10/30, 31, 32, 33, 34, 35, 36, 37, 38,
D10/39, 122, 123, 124, 125, 126, 103,
D10/128, 129, 102, 132; D14/137,
D14/138 R, 344
CPC G04B 37/00; G04B 37/0008;
G04B 37/0016; G04B 37/005; G04B
37/04; G04B 37/0427; G04B 37/05;
G04B 19/00; G04B 19/10; G04B 19/12;
G04B 19/14; G04B 19/16; G04B 19/18;
G04B 19/20; G04B 19/22; G04B 19/223;
G04B 19/225; G04B 19/30

See application file for complete search history.

(56) **References Cited**

U.S. PATENT DOCUMENTS

D157,607 S * 3/1950 Lachman D10/38
D213,714 S * 4/1969 Summers D10/123
D240,123 S * 6/1976 De Lorenzo D10/123

D313,559 S * 1/1991 McDonnell D10/30
D324,826 S * 3/1992 Aulenti D10/30
D388,001 S * 12/1997 Wunderman D10/30
D530,229 S * 10/2006 Wunderman D10/32
D538,181 S * 3/2007 Sugiura D10/31
D553,018 S * 10/2007 Ho D10/32
D567,114 S * 4/2008 Cattin D10/32
D578,901 S * 10/2008 Laucella D10/38
D705,674 S * 5/2014 Lasserre D10/39
D756,239 S * 5/2016 Delhotal D10/30
D795,709 S * 8/2017 Roberts D10/32

(Continued)

OTHER PUBLICATIONS

A Blog To WATCH, Louis Vuitton Tambour Spin Time Watch, posted Feb. 18, 2019, [online], [visited Mar. 3, 2021]. Internet, <URL: <https://www.ablogtowatch.com/louis-vuitton-tambour-spin-time-watch/>> (Year: 2019).*

(Continued)

Primary Examiner — Sheryl Lane

Assistant Examiner — Samantha N Wood

(74) *Attorney, Agent, or Firm* — Fross Zelnick Lehrman & Zissu, P.C.; Charles T. J. Weigell, Esq.

(57) **CLAIM**

The ornamental design for a watch, as shown and described.

DESCRIPTION

FIG. 1 is a front perspective view of the watch showing my new design;

FIG. 2 is a front view thereof;

FIG. 3 is a back view thereof;

FIG. 4 is a left side view thereof;

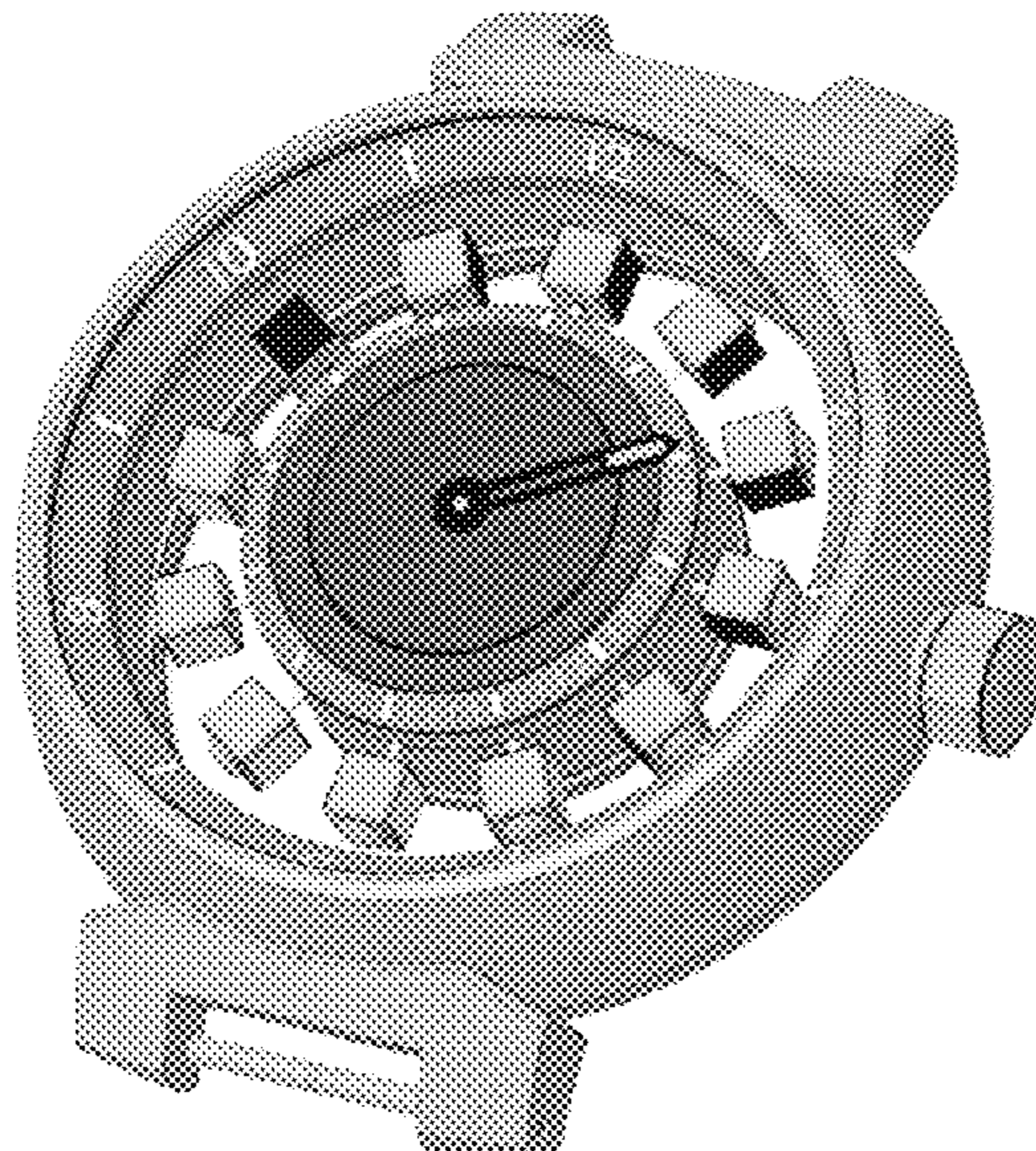
FIG. 5 is a right side view thereof;

FIG. 6 is a top view thereof; and,

FIG. 7 is a bottom view thereof.

The broken lines in the drawings illustrate portions of the watch that form no part of the claimed design.

1 Claim, 7 Drawing Sheets



(56)

References Cited

U.S. PATENT DOCUMENTS

D813,688 S * 3/2018 Stigliani D10/30
D847,004 S * 4/2019 Yoshida D10/38

OTHER PUBLICATIONS

Amazon, Skone Unique Men's Watches, posted May 3, 2018, [online], [visited Mar. 3, 2021]. Internet, <URL: <https://www.amazon.com/Fashion-Creative-Stainless-Rotating-Waterproof/dp/B07CWCDHB6?th=1>> (Year: 2018).*

* cited by examiner

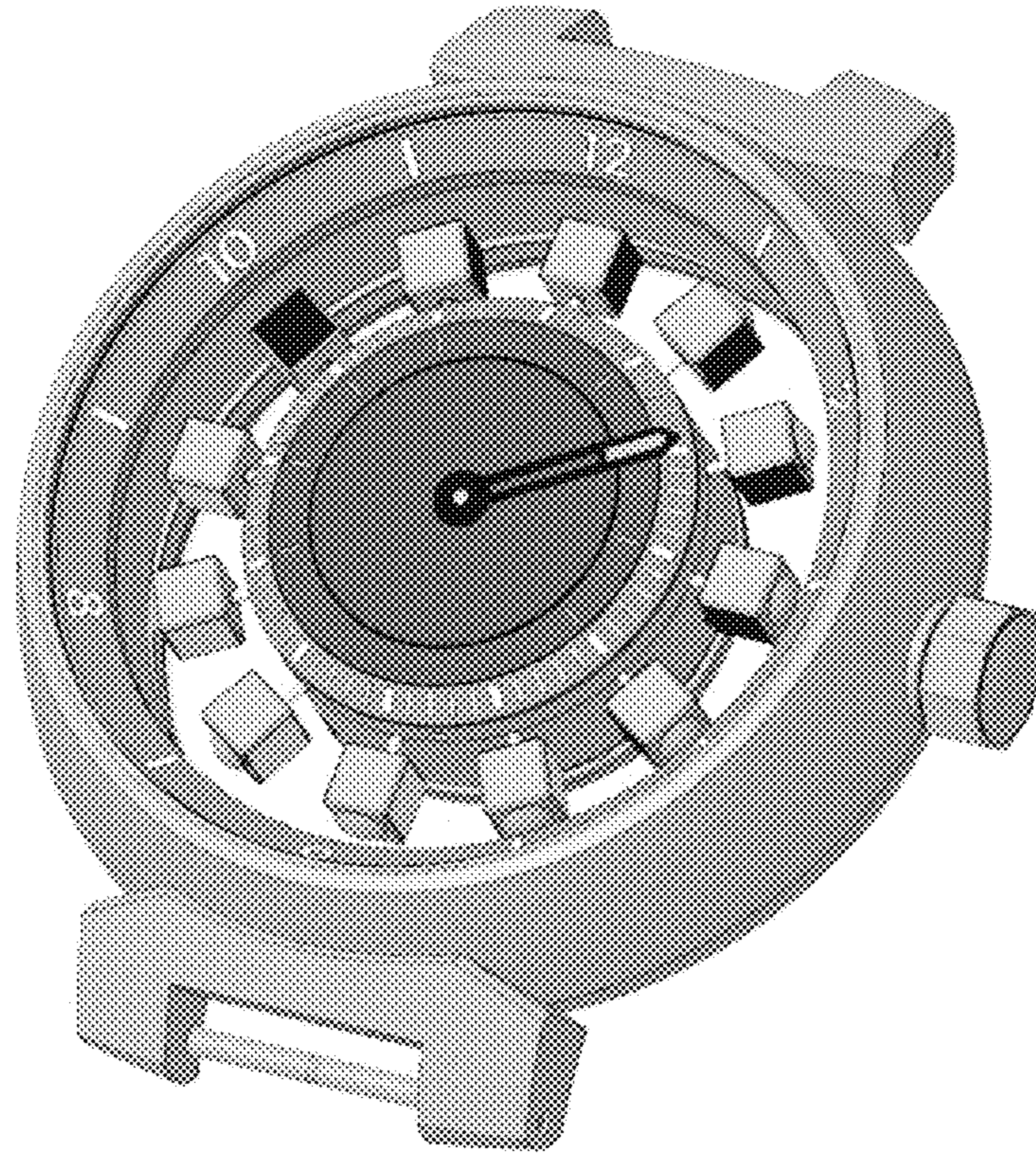


FIG. 1

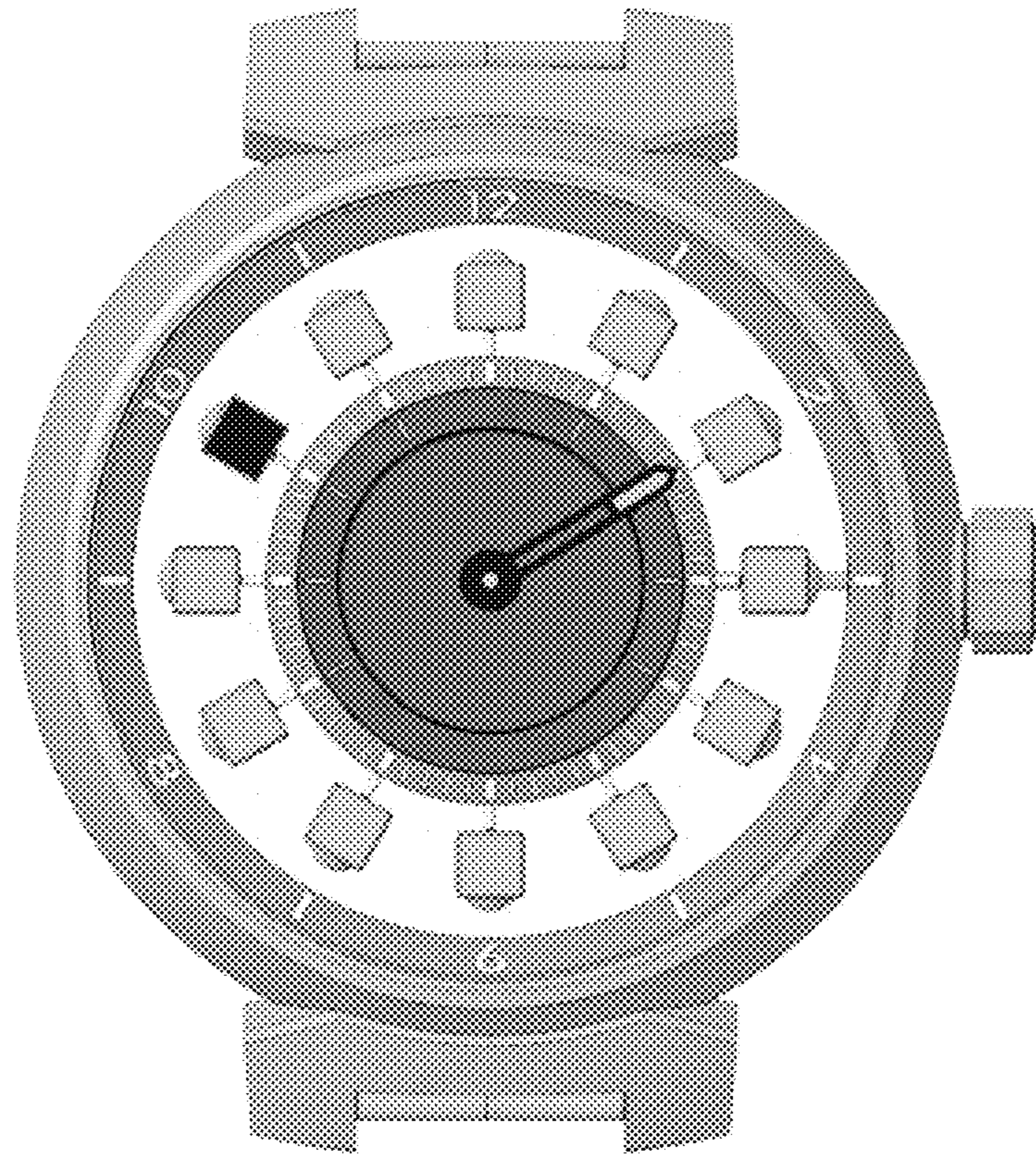


FIG. 2

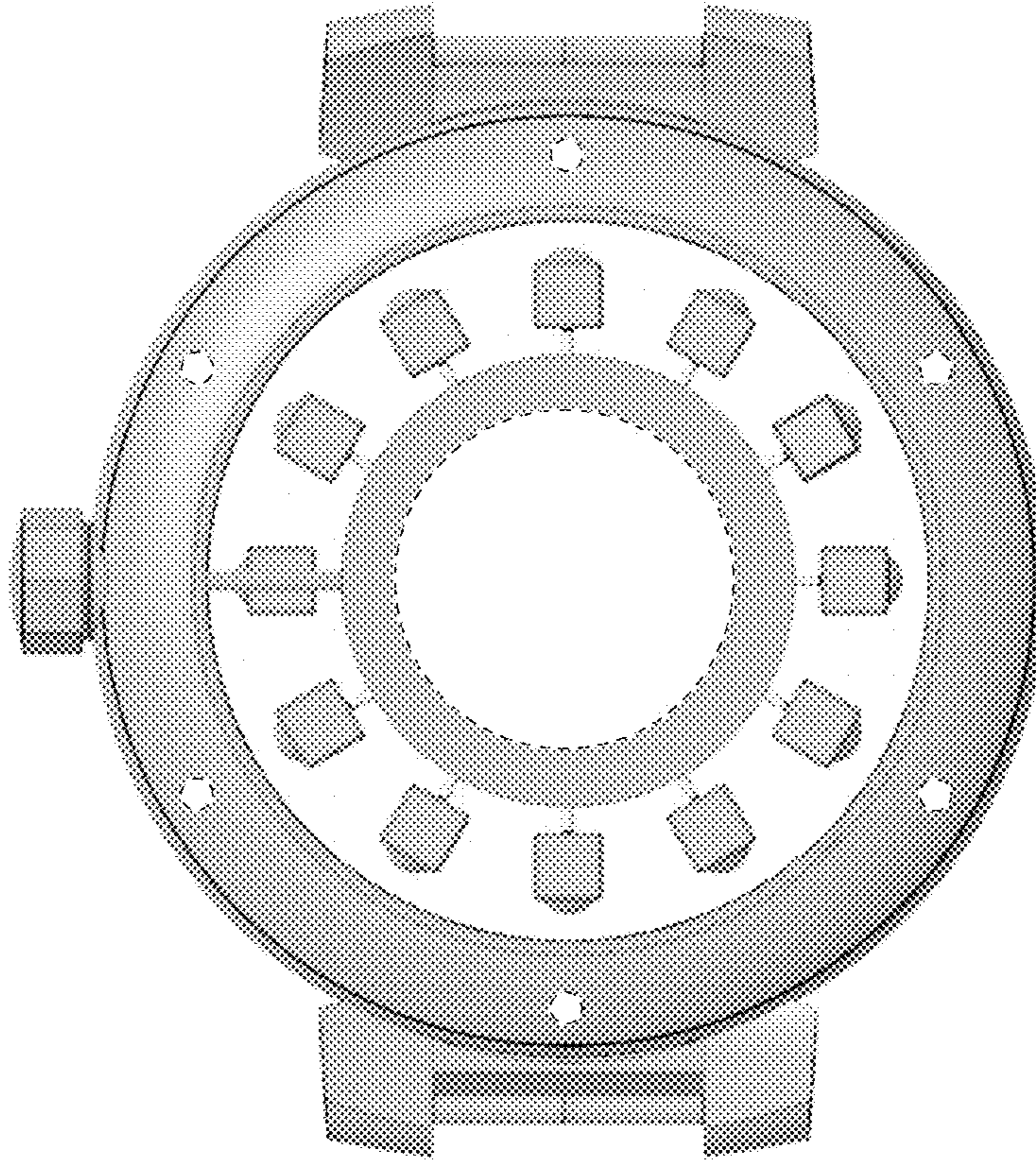


FIG. 3

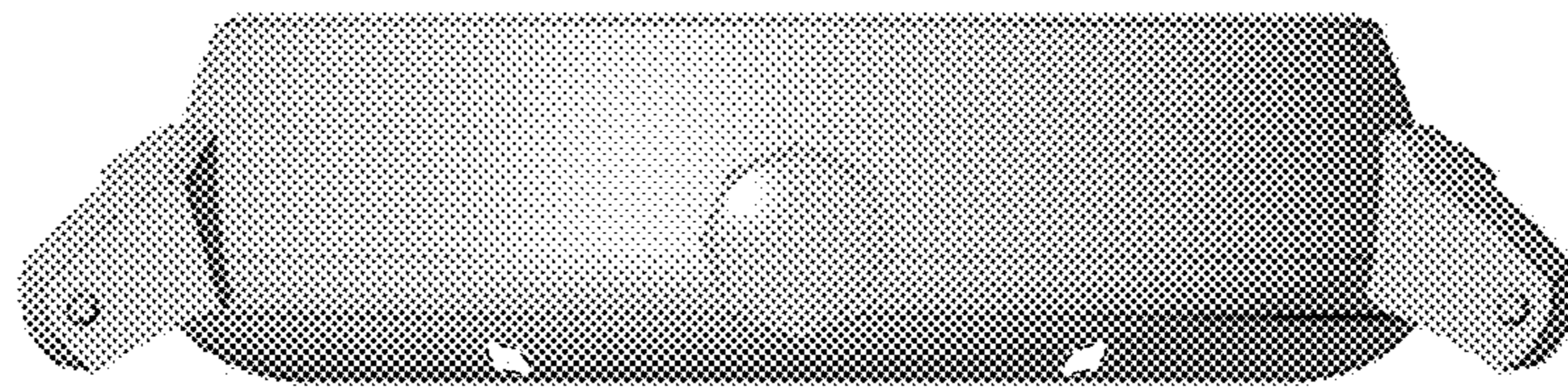


FIG. 4

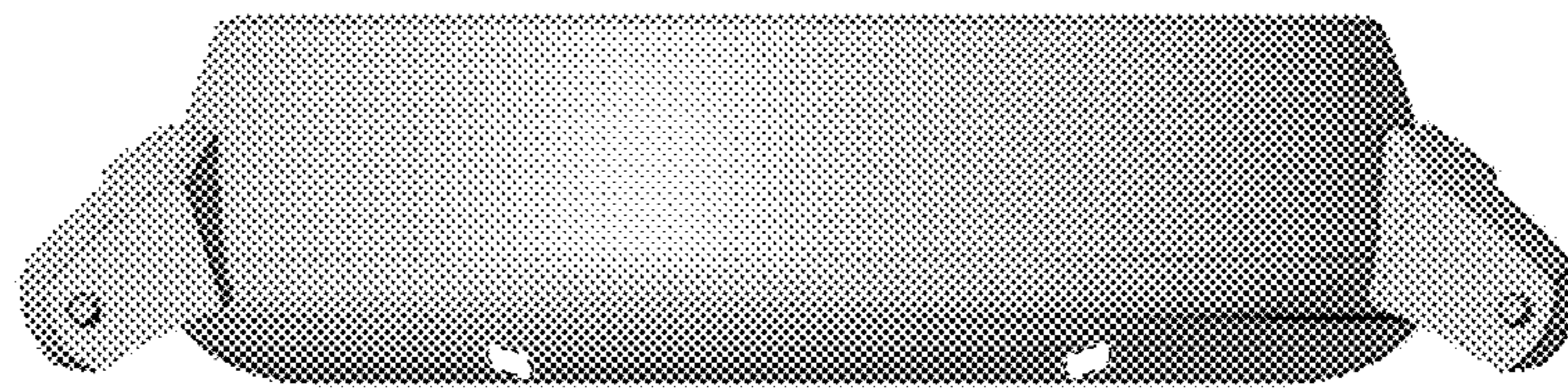


FIG. 5

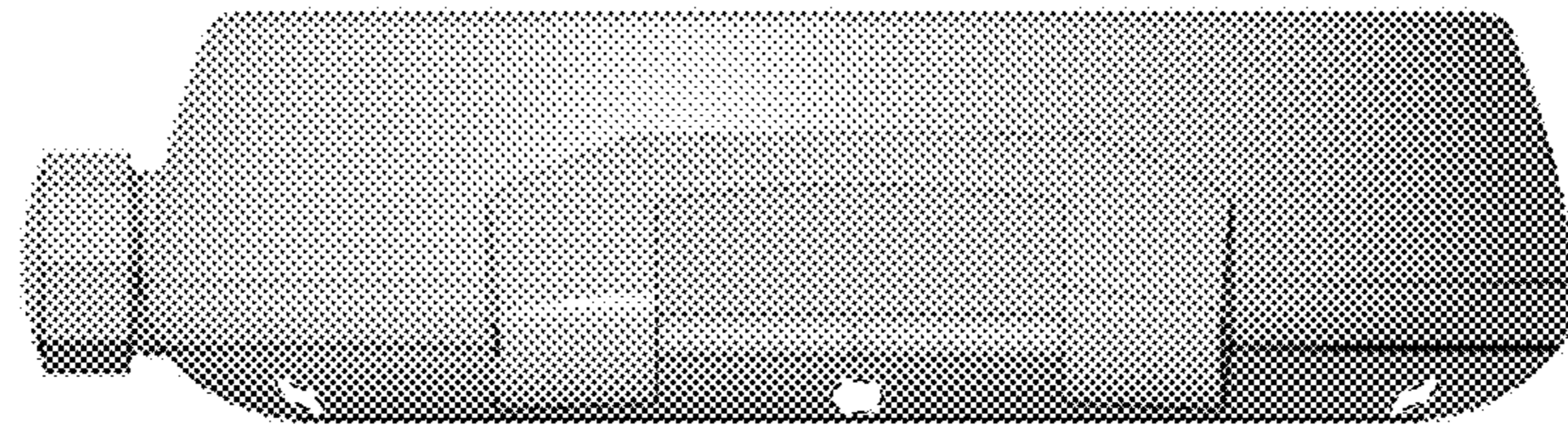


FIG. 6

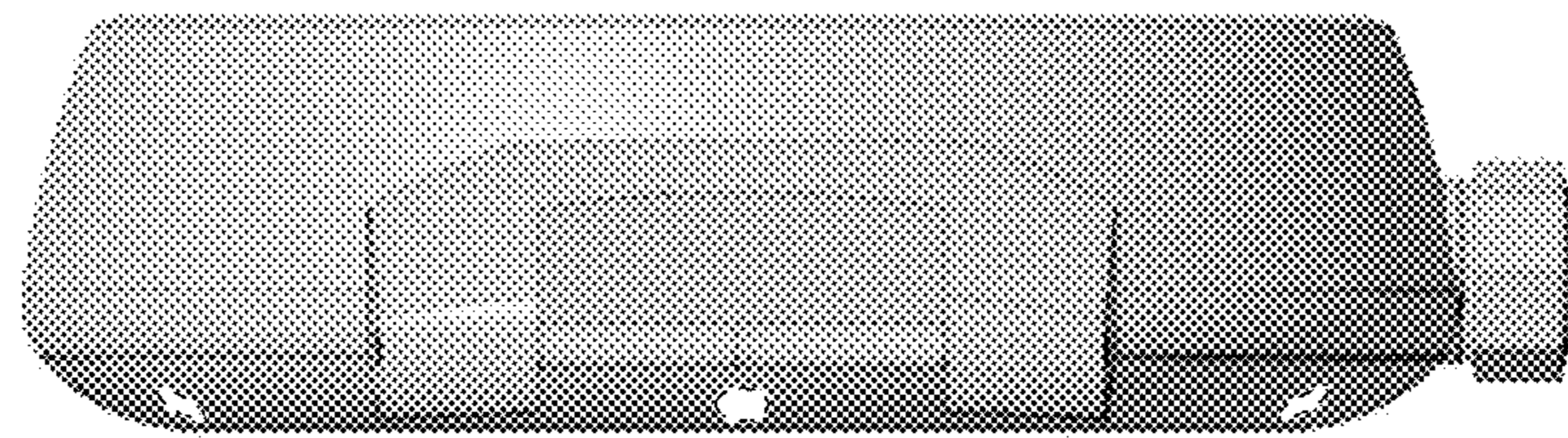


FIG. 7