

US00D946421S

(12) **United States Design Patent**  
**Gonzalez Manzano et al.**

(10) **Patent No.:** **US D946,421 S**  
(45) **Date of Patent:** **\*\* Mar. 22, 2022**

(54) **CARRIER**  
(71) Applicant: **Graphic Packaging International, LLC**, Atlanta, GA (US)  
(72) Inventors: **Ana Maria Gonzalez Manzano**, Igualada (ES); **Steve M. Gould**, Bristol (GB)

2,594,377 A 4/1952 Arneson  
2,737,326 A 3/1956 Toensmeier  
2,798,603 A 7/1957 Grinspoon  
2,950,041 A 8/1960 Stone  
2,965,410 A \* 12/1960 Robert ..... B65D 71/42  
294/87.2

(Continued)

(73) Assignee: **Graphic Packaging International, LLC**, Atlanta, GA (US)

AT 399701 B 7/1995  
CA 2133827 10/1993

(Continued)

(\*\*) Term: **15 Years**

**FOREIGN PATENT DOCUMENTS**

(21) Appl. No.: **29/739,934**

**OTHER PUBLICATIONS**

(22) Filed: **Jun. 30, 2020**

U.S. Appl. No. 17/478,025, filed Sep. 17, 2021.

(Continued)

(51) **LOC (13) Cl.** ..... **09-03**

(52) **U.S. Cl.**  
USPC ..... **D9/752**

(58) **Field of Classification Search**  
USPC ..... D9/737, 751-756, 455, 456, 517, 716,  
D9/719; D7/553.1, 553.4, 553.5, 553.8,  
D7/555, 701, 708; D3/310-315  
CPC .. B65D 2571/0066; B65D 2571/00277; B65D  
2571/0029; B65D 71/0022; B65D 71/50;  
B65B 17/025

*Primary Examiner* — W. A. Teddy Falloway  
(74) *Attorney, Agent, or Firm* — Womble Bond Dickinson (US) LLP

See application file for complete search history.

(57) **CLAIM**

The ornamental design for a carrier, as shown and described.

(56) **References Cited**

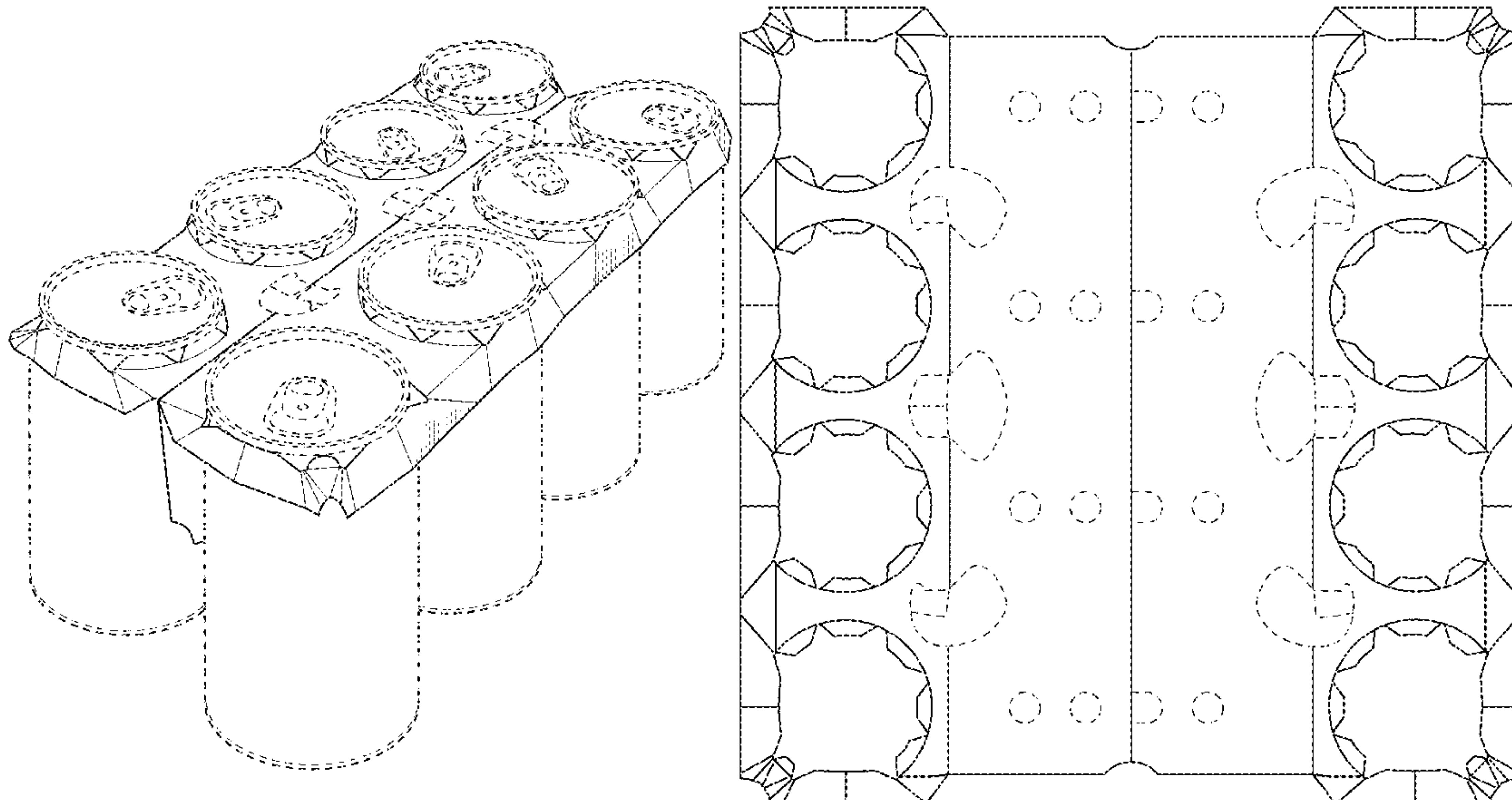
**DESCRIPTION**

**U.S. PATENT DOCUMENTS**

1,527,399 A 2/1925 Davidson  
2,289,859 A 7/1942 Arthur  
2,320,440 A 6/1943 Kruea  
2,331,038 A 10/1943 Meller  
2,397,376 A \* 3/1946 Singer ..... B65D 71/48  
294/87.2  
2,397,716 A \* 4/1946 Wendler ..... B65D 71/40  
294/87.2  
2,522,950 A 9/1950 Keith  
2,594,376 A 4/1952 Arneson

FIG. 1 is a perspective view of a carrier showing our new design.  
FIG. 2 is a front elevation view of the carrier of FIG. 1, the rear elevation view is a mirror image.  
FIG. 3 is a left elevation view of the carrier of FIG. 1, the right elevation view is a mirror image.  
FIG. 4 is a top plan view of the carrier of FIG. 1.  
FIG. 5 is a bottom plan view of the carrier of FIG. 1; and, FIG. 6 is a plan view of the carrier of FIG. 1 shown in an unfolded configuration.  
All evenly-spaced broken lines are for environmental purposes only and do not form part of the claimed design.

**1 Claim, 6 Drawing Sheets**



(56)

References Cited

U.S. PATENT DOCUMENTS

3,001,647 A	9/1961	Liss		5,351,815 A	10/1994	Fogle et al.	
3,046,711 A	7/1962	Harrison		5,351,816 A	10/1994	Sutherland et al.	
3,061,141 A	10/1962	Cote		5,351,817 A	10/1994	Sutherland	
3,099,475 A	7/1963	Manizza		5,355,999 A	10/1994	Sutherland	
3,118,537 A	1/1964	Copping		5,360,104 A	11/1994	Sutherland	
3,137,109 A	6/1964	Rapata		5,390,784 A	2/1995	Sutherland	
3,146,885 A *	9/1964	Robert	B65D 71/20 206/429	5,407,065 A	4/1995	Sutherland	
3,200,944 A	8/1965	Rapata		5,415,278 A	5/1995	Sutherland	
3,245,711 A *	4/1966	Dantoin	B65D 71/44 294/87.2	5,443,153 A	8/1995	Sutherland	
3,281,180 A	10/1966	Sperry		5,445,262 A	8/1995	Sutherland	
3,302,784 A	2/1967	Copping		5,452,799 A	9/1995	Sutherland	
3,387,879 A	6/1968	Wood		5,484,053 A	1/1996	Harris	
3,432,202 A	3/1969	Ebelhardt		5,485,914 A	1/1996	Martin	
3,463,535 A *	8/1969	Beart	B65D 71/44 294/87.28	5,487,464 A	1/1996	Galbierz et al.	
3,528,697 A	9/1970	Wood		5,490,593 A	2/1996	Gordon et al.	
3,587,847 A	6/1971	Graser		5,503,267 A	4/1996	Sutherland	
3,601,439 A	8/1971	Poupitch		5,520,283 A	5/1996	Sutherland	
3,627,121 A	12/1971	Deasy		5,524,756 A	6/1996	Sutherland	
3,653,503 A	4/1972	Arneson		5,551,566 A	9/1996	Sutherland	
3,693,787 A	9/1972	Duerr		5,553,704 A	9/1996	Gordon et al.	
3,701,416 A	10/1972	Lawrence		5,553,705 A	9/1996	Bakx	
3,726,558 A	4/1973	Klygis		5,590,776 A	1/1997	Galbierz	
3,734,278 A	5/1973	Kerrigan		5,593,027 A	1/1997	Sutherland	
3,876,066 A	4/1975	Klygis		5,609,247 A	3/1997	Appleton	
3,897,873 A	8/1975	Graser		5,609,251 A *	3/1997	Harris	B65D 71/36 206/434
3,924,739 A	12/1975	Gravesteijn		5,609,379 A	3/1997	Harrelson	
3,942,631 A	3/1976	Sutherland et al.		5,682,982 A	11/1997	Stonehouse	
4,029,204 A	6/1977	Manizza		5,706,936 A	1/1998	Bernstein	
4,111,298 A *	9/1978	Mascia	B65D 71/50 206/151	5,711,419 A	1/1998	Beales et al.	
4,120,396 A *	10/1978	Mascia	B65D 71/50 206/151	5,735,394 A	4/1998	Harrelson	
4,136,772 A *	1/1979	Mascia	B65D 71/50 206/199	5,746,310 A	5/1998	Slomski	
4,155,502 A	5/1979	Forte		5,762,193 A	6/1998	Marco	
4,190,149 A	2/1980	Oliff et al.		5,791,463 A	8/1998	Negelen	
4,244,617 A *	1/1981	Manizza	B65D 71/48 206/153	5,816,391 A	10/1998	Harris	
4,304,329 A	12/1981	Graser		5,845,776 A	12/1998	Galbierz et al.	
4,339,032 A	7/1982	Wood		5,878,876 A	3/1999	Galbierz et al.	
4,372,599 A	2/1983	Kiedaisch et al.		5,960,945 A	10/1999	Sutherland	
4,378,879 A	4/1983	Killy		6,039,181 A	3/2000	Whiteside	
4,382,505 A	5/1983	Sutherland et al.		6,059,099 A	5/2000	Galbierz	
4,441,611 A	4/1984	Sommariva		6,082,532 A	7/2000	Miess	
4,471,870 A	9/1984	Uhlig		6,145,656 A	11/2000	Marco	
4,523,676 A	6/1985	Barrash		6,315,111 B1	11/2001	Sutherland	
4,784,266 A	11/1988	Chaussadas		6,394,272 B1	5/2002	Domansky	
4,911,288 A	3/1990	Dantoin, Jr.		6,896,130 B2	5/2005	Theelen	
4,974,726 A	12/1990	Klygis et al.		D506,925 S	7/2005	Plumer	
5,002,225 A	3/1991	Bienaime		7,011,209 B2	3/2006	Sutherland et al.	
5,065,862 A *	11/1991	Mousseau	B65B 17/025 206/151	7,690,507 B2	4/2010	Sutherland	
5,103,971 A	4/1992	Schuster		7,721,878 B2	5/2010	Requena	
5,125,506 A	6/1992	Galbierz et al.		7,762,397 B2	7/2010	Coltri-Johnson et al.	
5,139,147 A	8/1992	Sutherland		7,789,231 B2	9/2010	Requena	
5,188,225 A	2/1993	Jorba		7,823,721 B2	11/2010	Sutherland et al.	
5,193,673 A	3/1993	Rathbone et al.		8,096,413 B2	1/2012	DePaula	
5,201,412 A	4/1993	Schuster et al.		8,162,135 B2	4/2012	Oliveira	
5,230,425 A	7/1993	Edqvist et al.		8,353,398 B2	1/2013	DePaula et al.	
5,246,113 A	9/1993	Schuster		8,387,784 B2	3/2013	Gonzalez et al.	
5,263,299 A	11/1993	Galbierz et al.		8,443,968 B2	5/2013	DePaula	
5,267,644 A	12/1993	Tsao		8,464,866 B2	6/2013	Sutherland et al.	
5,282,348 A	2/1994	Dampier et al.		8,469,184 B2	6/2013	Spivey, Sr.	
5,297,673 A	3/1994	Sutherland		8,602,209 B2	12/2013	Jones et al.	
5,310,050 A	5/1994	Sutherland		8,631,932 B2	1/2014	Holley, Jr.	
5,310,051 A	5/1994	Sutherland		8,701,878 B2	4/2014	Spivey, Sr.	
5,314,224 A	5/1994	Bates		8,925,720 B2	1/2015	Sutherland et al.	
5,318,178 A	6/1994	Davies et al.		8,936,149 B2	1/2015	Smalley	
5,323,895 A	6/1994	Sutherland et al.		8,955,674 B2	2/2015	Spivey, Sr. et al.	
5,328,024 A	7/1994	Sutherland		9,079,699 B2	7/2015	Holley, Jr.	
5,335,774 A	8/1994	Ganz		9,169,050 B2	10/2015	Spivey, Sr.	
				9,284,090 B2 *	3/2016	Lettre	B65D 5/48024
				9,359,093 B2	6/2016	DePaula et al.	
				9,446,891 B2	9/2016	Jones et al.	
				9,511,916 B2	12/2016	Holley, Jr.	
				9,669,976 B2	6/2017	Kastanek et al.	
				9,676,535 B2	6/2017	Spivey, Sr.	
				10,077,131 B2 *	9/2018	Lettre	B65D 5/48034
				10,836,550 B2	11/2020	Zacherle	
				D920,809 S	6/2021	Chesnet et al.	
				11,027,905 B2	6/2021	Ford	
				2002/0195371 A1	12/2002	Brown	
				2003/0080004 A1	5/2003	Olsen et al.	



(56)

References Cited

OTHER PUBLICATIONS

U.S. PATENT DOCUMENTS

2003/0213705	A1	11/2003	Woog	
2004/0211695	A1	10/2004	Karlsson	
2004/0226833	A1	11/2004	Daniel	
2005/0127151	A1	6/2005	Johnson	
2005/0199513	A1	9/2005	Bakx et al.	
2009/0101526	A1	4/2009	Sutherland et al.	
2009/0127147	A1	5/2009	Sutherland	
2010/0078337	A1	4/2010	Sutherland et al.	
2010/0264043	A1	10/2010	DePaula	
2012/0138489	A1	6/2012	Holley, Jr.	
2015/0191287	A1	7/2015	L'Heureux et al.	
2016/0325899	A1	11/2016	L'Heureux et al.	
2018/0111734	A1*	4/2018	Jego .....	B65D 5/4266
2018/0362234	A1	12/2018	L'Heureux et al.	
2019/0119019	A1	4/2019	Patton	
2020/0010255	A1	1/2020	Zacherle et al.	
2020/0079564	A1*	3/2020	Ford .....	B65D 71/42
2020/0189818	A1*	6/2020	McCree .....	B65D 71/46
2020/0189819	A1*	6/2020	McCree .....	B31B 50/624
2020/0189821	A1*	6/2020	Smalley .....	B65D 71/48
2020/0189822	A1	6/2020	Smalley	
2020/0223612	A1*	7/2020	Swenson .....	B65D 75/02
2021/0061502	A1*	3/2021	Johnston .....	B65D 71/42
2021/0094742	A1*	4/2021	Gonzalez Manzano .....	B65D 71/42
2021/0276776	A1*	9/2021	Zammit .....	B65D 71/44
2021/0316921	A1*	10/2021	Holtz .....	B65D 71/44

FOREIGN PATENT DOCUMENTS

DE	298 13 672	U1	11/1998
DE	10 2009 059 047	A1	6/2011
EP	0 051 413	A1	5/1982
EP	0 060 504	A2	9/1982
EP	0 057 437	B1	5/1985
EP	0 496 807		6/1993
EP	0 636 096		2/1995
EP	0 715 593	A1	6/1996
EP	0 398 835	B1	10/1996
EP	2 067 713	A1	6/2009
EP	1 528 007	B1	10/2010
EP	2739547	B1	7/2017
EP	3 666 684	A1	6/2020
FR	2 737 196	A1	1/1997
GB	1 256 684		12/1971
GB	2 321 229	A	7/1998
JP	10-297668	A	11/1998
JP	2001-519300	A	10/2001
JP	2003-146359		5/2003
JP	2004-189243	A	7/2004
JP	2015-048088	A	3/2015
KR	10-2005-0051616	A	6/2005
KR	10-2020-0106806	A	9/2020
WO	WO 93/02941		2/1993
WO	WO 93/21083		10/1993
WO	WO 93/25439	A1	12/1993
WO	WO 94/22738	A1	10/1994
WO	WO 95/01289	A1	1/1995
WO	WO 95/06604		3/1995
WO	WO 96/26128	A1	8/1996
WO	WO 96/32340	A1	10/1996
WO	WO 2008/058294	A1	5/2008
WO	WO 2010/006629	A1	1/2010

U.S. Appl. No. 17/487,113, filed Sep. 28, 2021.
U.S. Appl. No. 17/487,131, filed Sep. 28, 2021.
U.S. Appl. No. 17/487,141, filed Sep. 28, 2021.
U.S. Appl. No. 17/487,262, filed Sep. 28, 2021.
U.S. Appl. No. 16/426,050, filed May 30, 2019.
U.S. Appl. No. 16/426,057, filed May 30, 2019.
U.S. Appl. No. 16/426,060, filed May 30, 2019.
U.S. Appl. No. 16/426,063, filed May 30, 2019.
U.S. Appl. No. 16/426,066, filed May 30, 2019.
U.S. Appl. No. 29/692,992, filed May 30, 2019.
U.S. Appl. No. 29/692,993, filed May 30, 2019.
U.S. Appl. No. 29/692,994, filed May 30, 2019.
U.S. Appl. No. 29/692,996, filed May 30, 2019.
U.S. Appl. No. 29/692,997, filed May 30, 2019.
U.S. Appl. No. 16/598,282, filed Oct. 10, 2019.
U.S. Appl. No. 29/709,918, filed Oct. 18, 2019.
U.S. Appl. No. 16/829,346, filed Mar. 25, 2020.
U.S. Appl. No. 29/735,178, filed May 19, 2020.
U.S. Appl. No. 16/937,043, filed Jul. 23, 2020.
U.S. Appl. No. 29/739,927, filed Jun. 30, 2020.
U.S. Appl. No. 29/739,929, filed Jun. 30, 2020.
U.S. Appl. No. 29/739,931, filed Jun. 30, 2020.
U.S. Appl. No. 29/739,933, filed Jun. 30, 2020.
International Search Report and Written Opinion for PCT/US2020/054205 dated Jan. 20, 2021.
International Search Report and Written Opinion for PCT/US2019/034491 dated Sep. 19, 2019.
International Search Report and Written Opinion for PCT/US2019/034490 dated Sep. 19, 2019.
International Search Report and Written Opinion for PCT/US2019/034494 dated Sep. 19, 2019.
International Search Report and Written Opinion for PCT/US2019/034489 dated Sep. 19, 2019.
International Search Report and Written Opinion for PCT/US2019/034493 dated Sep. 20, 2019.
International Search Report and Written Opinion for PCT/US2020/024614 dated Sep. 15, 2020.
European Search Report for EP 19 18 0439 dated Jan. 10, 2020.
European Search Report for EP 19 18 0460 dated Jan. 13, 2020.
European Search Report for EP 19 18 0436 dated Jan. 22, 2020.
European Search Report for EP 19 18 0446 dated Feb. 3, 2020.
European Search Report for EP 19 18 0453 dated Feb. 10, 2020.
European Search Report for EP 20 16 8268 dated Oct. 2, 2020.
International Search Report and Written Opinion for PCT/US2020/064472 dated Mar. 15, 2021.
International Search Report and Written Opinion for PCT/US2020/064471 dated Mar. 29, 2021.
International Search Report and Written Opinion for PCT/US2020/064473 dated Apr. 1, 2021.
European Search Report for EP 20 20 533 dated Mar. 23, 2021.
European Search Report for EP 20 21 5364 dated Jul. 1, 2021.
European Search Report for EP 20 21 5371 dated Jul. 1, 2021.
European Search Report for EP 20 21 5399 dated Jul. 1, 2021.
International Search Report and Written Opinion for PCT/US2021/052279 dated Jan. 5, 2022.
International Search Report and Written Opinion for PCT/US2021/052278 dated Jan. 5, 2022.
International Search Report and Written Opinion for PCT/US2021/052272 dated Jan. 7, 2022.

\* cited by examiner

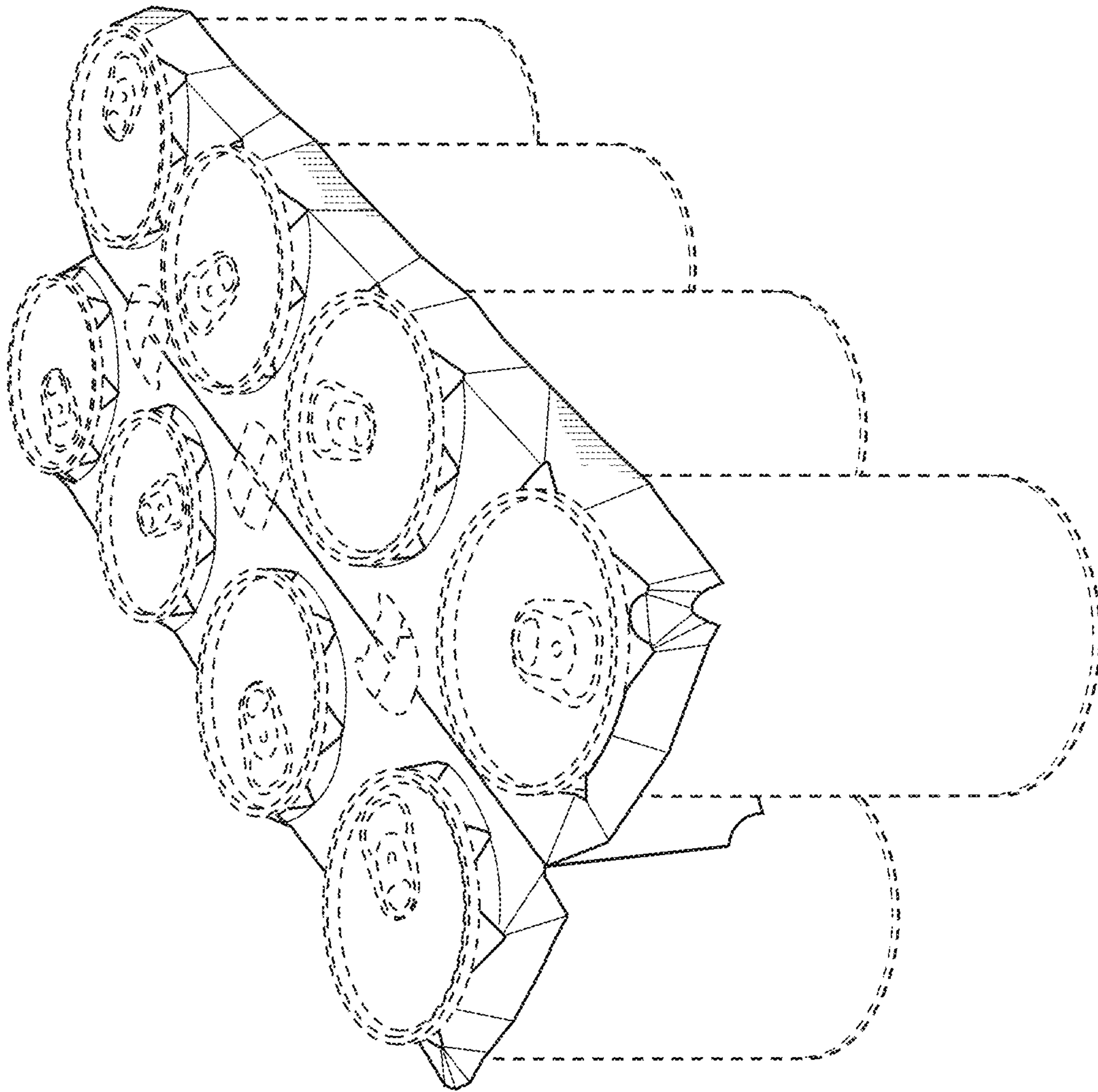


FIG. 1

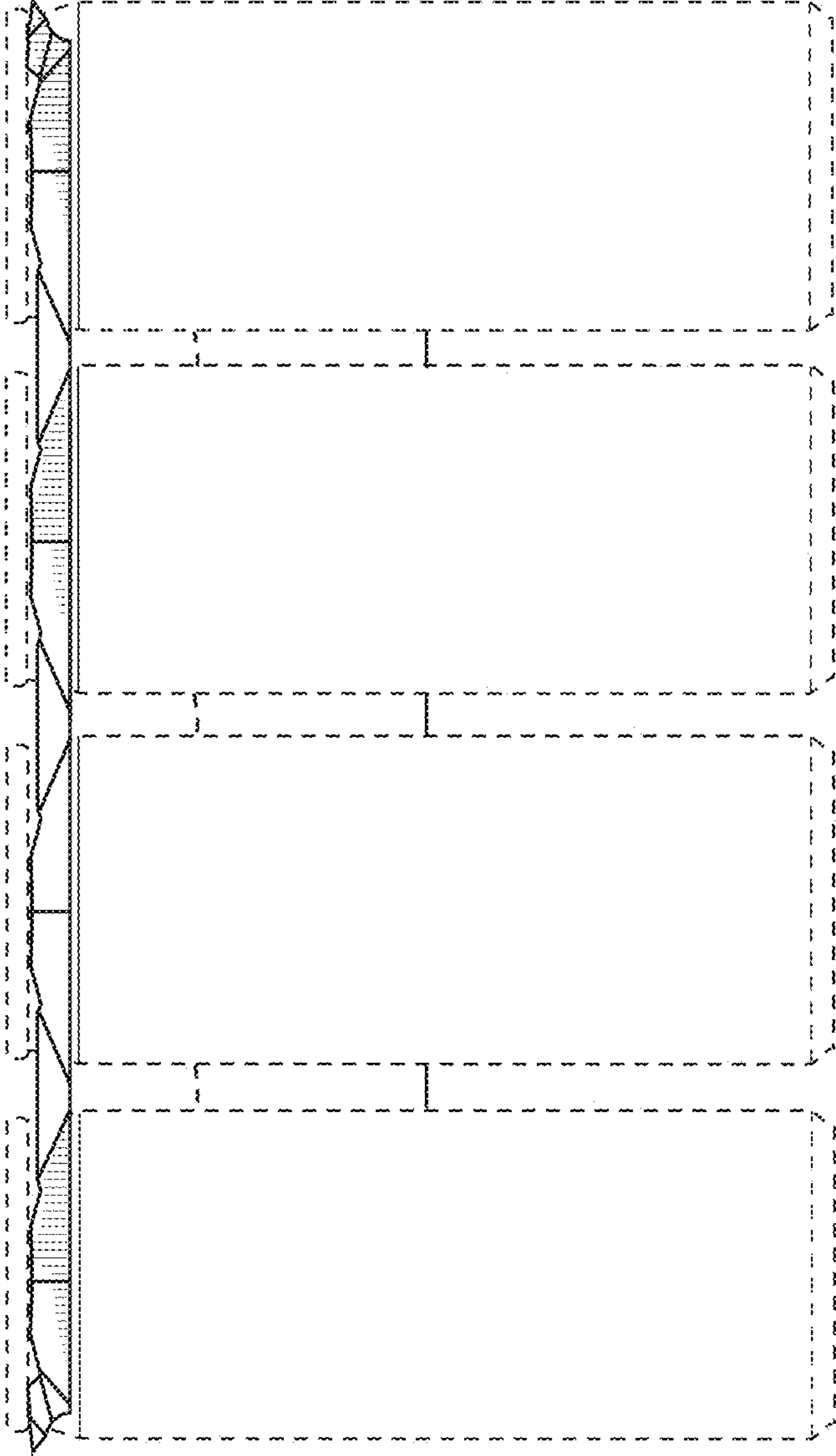


FIG. 2

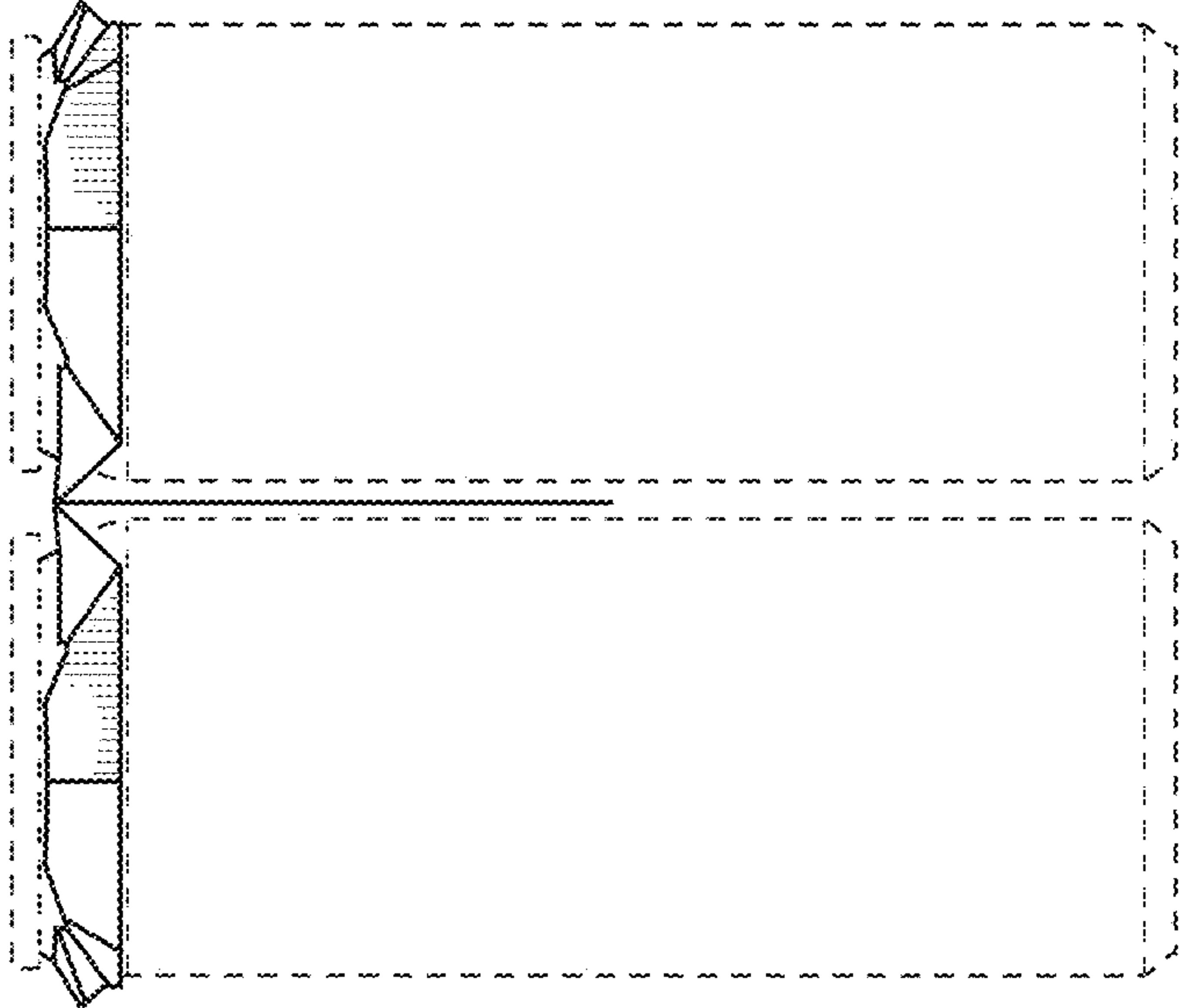


FIG. 3



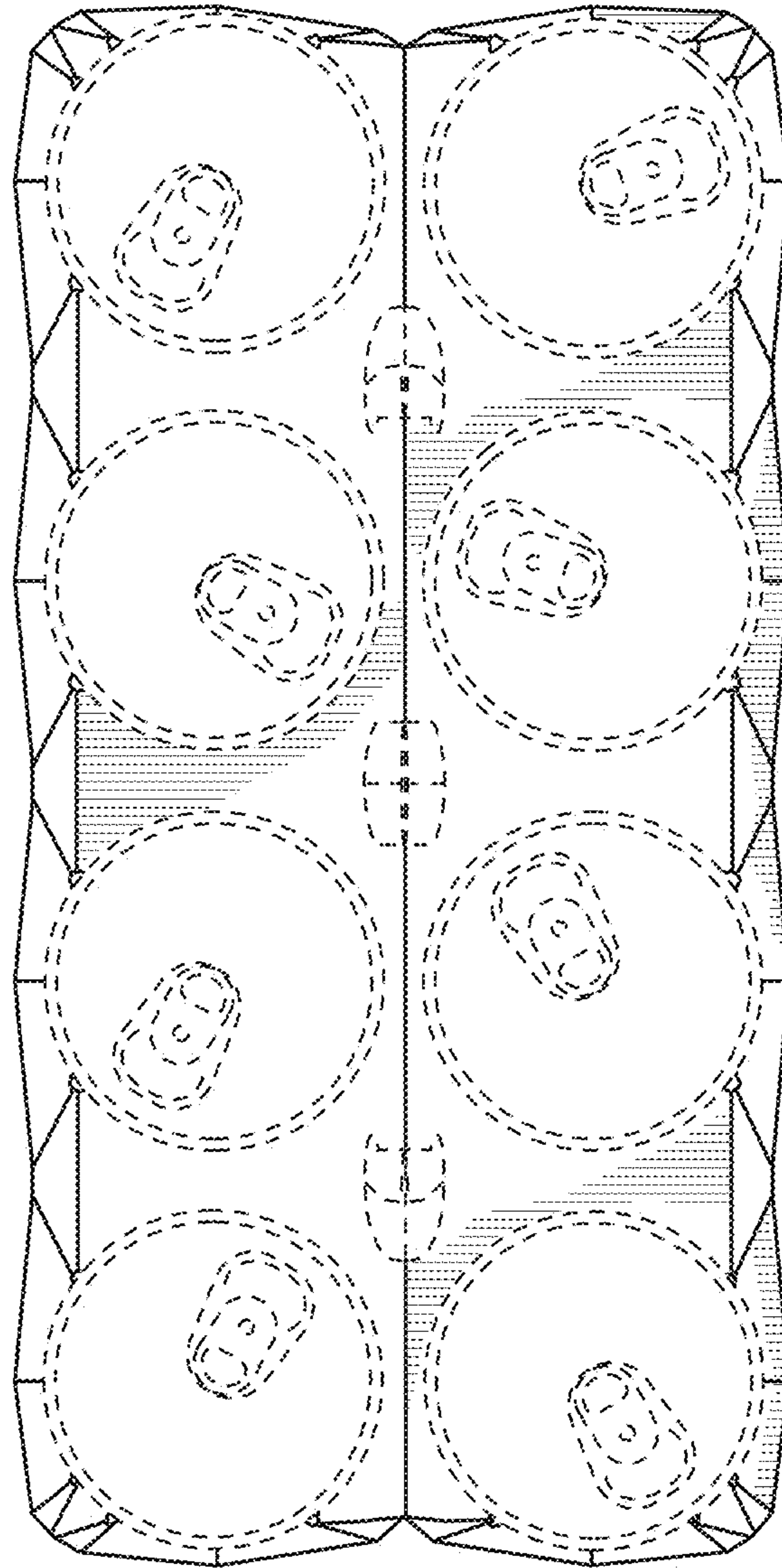


FIG. 4

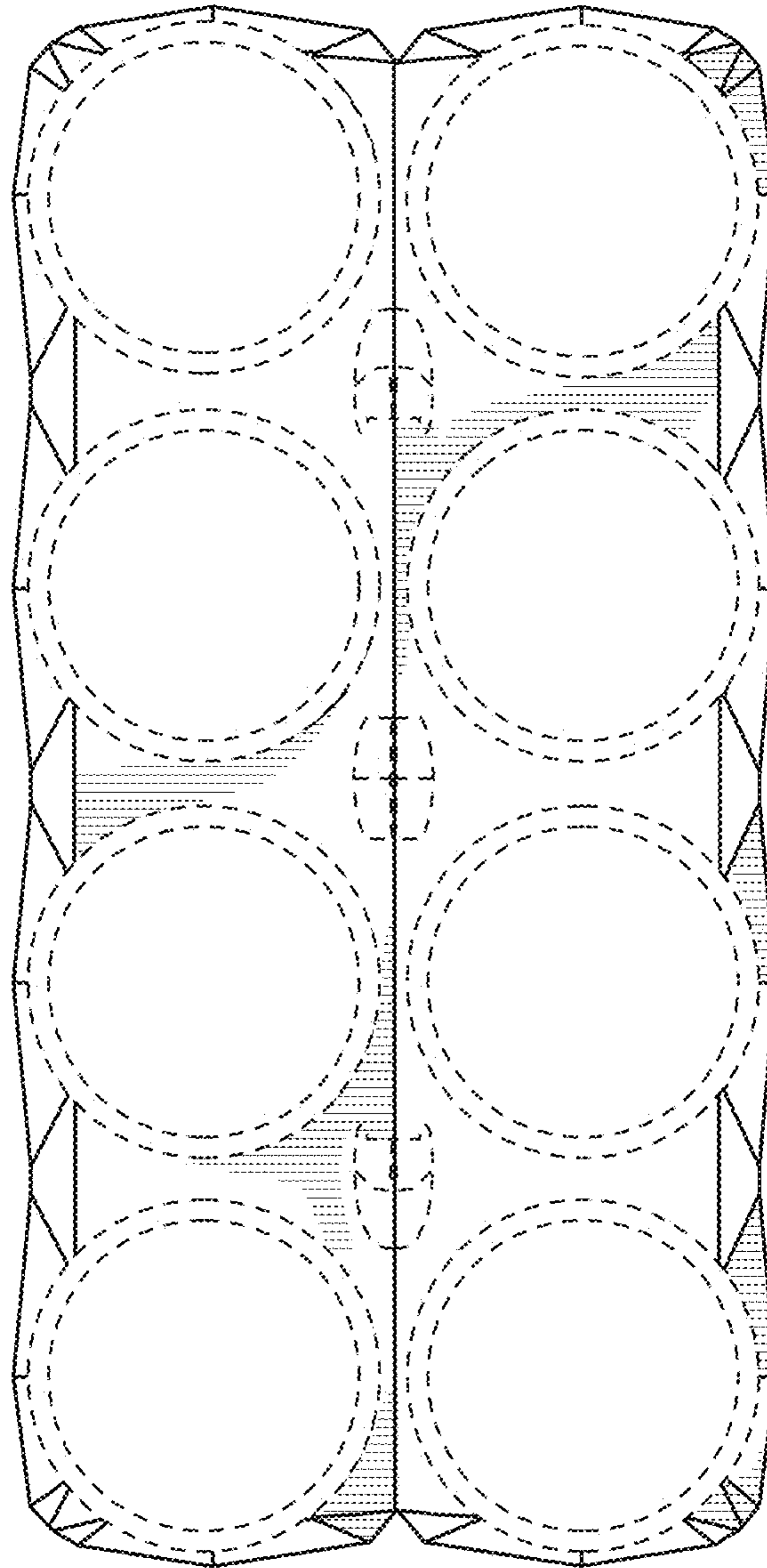


FIG. 5



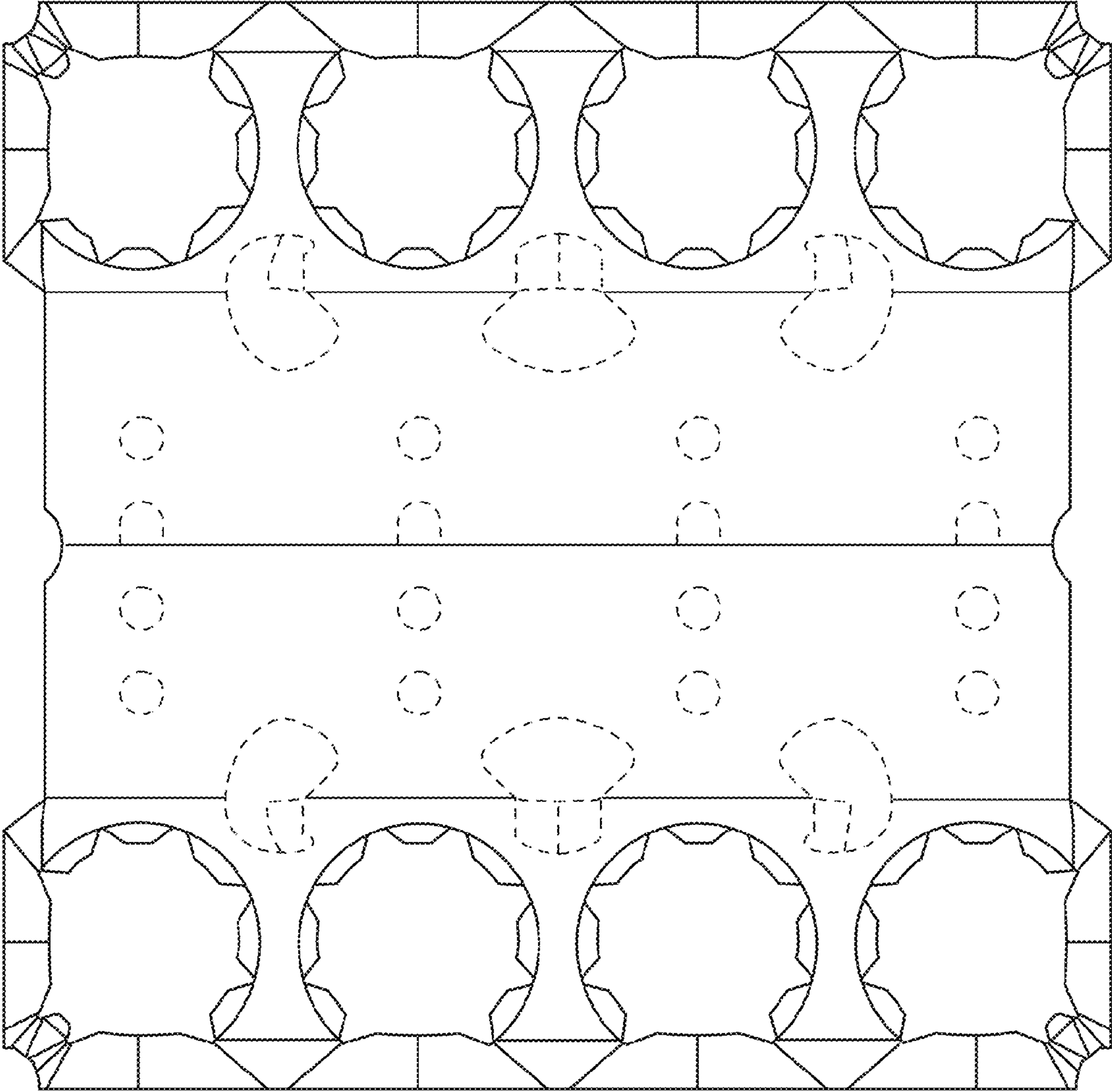


FIG. 6