



US00D946416S

(12) **United States Design Patent**  
**Smalley**

(10) **Patent No.:** **US D946,416 S**  
(45) **Date of Patent:** **\*\* Mar. 22, 2022**

- (54) **CARRIER**
- (71) Applicant: **Graphic Packaging International, LLC**, Atlanta, GA (US)
- (72) Inventor: **Brian Smalley**, Bristol (GB)
- (73) Assignee: **Graphic Packaging International, LLC**, Atlanta, GA (US)
- (\*\*) Term: **15 Years**
- (21) Appl. No.: **29/692,997**
- (22) Filed: **May 30, 2019**
- (51) **LOC (13) Cl.** ..... **09-03**
- (52) **U.S. Cl.**  
USPC ..... **D9/752**
- (58) **Field of Classification Search**  
USPC ..... D9/737, 751-756, 455, 456, 517, 716, D9/719; D7/553.1, 553.4, 553.5, 553.8, D7/555, 701, 708; D3/310-315  
CPC .. B65D 2571/0066; B65D 2571/00277; B65D 2571/0029; B65D 71/0022; B65D 71/50; B65B 17/025  
See application file for complete search history.

- 2,950,041 A 8/1960 Stone
- 2,965,410 A \* 12/1960 Hughes ..... B65D 71/42 294/87.2
- 3,001,647 A 9/1961 Liss  
(Continued)

**FOREIGN PATENT DOCUMENTS**

- AT 399701 B 7/1995
- CA 2133827 10/1993  
(Continued)

**OTHER PUBLICATIONS**

International Search Report and Written Opinion for PCT/US2020/024614 dated Sep. 15, 2020.  
(Continued)

*Primary Examiner* — W. A. Teddy Falloway  
(74) *Attorney, Agent, or Firm* — Womble Bond Dickinson (US) LLP

(57) **CLAIM**  
The ornamental design for a carrier, as shown and described.

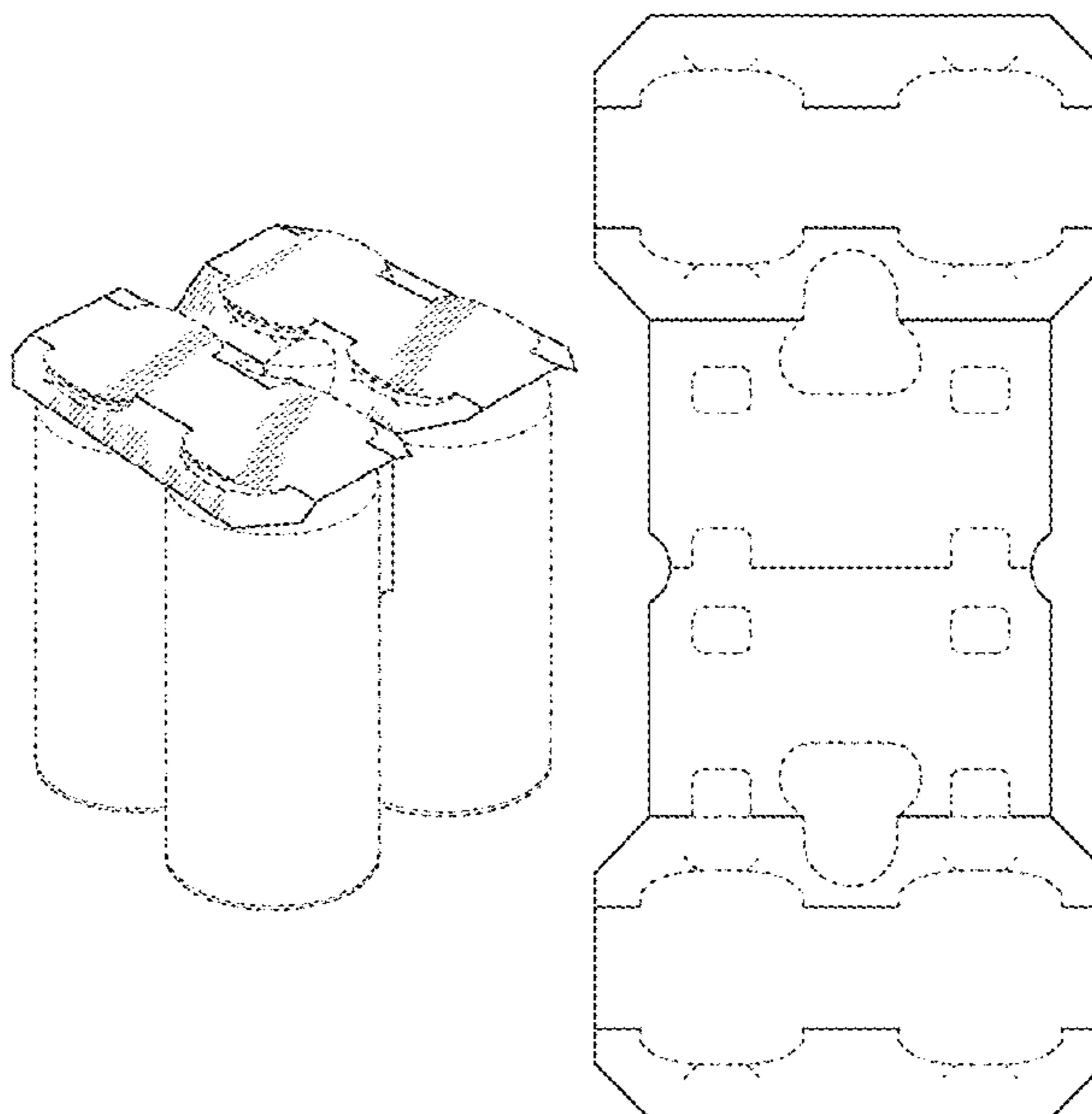
**DESCRIPTION**

FIG. 1 is a perspective view of a carrier showing my new design.  
FIG. 2 is a right elevation view of the carrier of FIG. 1, the left elevation view is a mirror image.  
FIG. 3 is a front elevation view of the carrier of FIG. 1, the rear elevation view is a mirror image.  
FIG. 4 is a top plan view of the carrier of FIG. 1.  
FIG. 5 is a bottom plan view of the carrier of FIG. 1; and, FIG. 6 is a plan view of the carrier of FIG. 1 shown in an unfolded configuration.  
The broken lines showing cans illustrate environmental structure. All other broken lines represent portions of the carrier. The broken lines form no part of the claims design.

**1 Claim, 6 Drawing Sheets**

(56) **References Cited**  
U.S. PATENT DOCUMENTS

- 1,527,399 A 2/1925 Davidson
- 2,289,859 A 7/1942 Arthur
- 2,320,440 A 6/1943 Kruea
- 2,331,038 A 10/1943 Meller
- 2,522,950 A 9/1950 Keith
- 2,594,376 A \* 4/1952 Arneson ..... B65D 71/0037 206/172
- 2,594,377 A \* 4/1952 Arneson ..... B65D 71/0022 206/172
- 2,737,326 A 3/1956 Toensmeier
- 2,798,603 A 7/1957 Grinspoon



(56)

References Cited

U.S. PATENT DOCUMENTS

3,046,711 A *	7/1962	Harrison	B65D 71/508 53/398	5,484,053 A	1/1996	Harris	
3,061,141 A	10/1962	Cote		5,485,914 A	1/1996	Martin	
3,099,475 A	7/1963	Manizza		5,487,464 A	1/1996	Galbierz et al.	
3,118,537 A	1/1964	Copping		5,490,593 A	2/1996	Gordon et al.	
3,137,109 A	6/1964	Rapata		5,503,267 A	4/1996	Sutherland	
3,146,885 A *	9/1964	Hughes	B65D 71/20 206/429	5,520,283 A	5/1996	Sutherland	
3,200,944 A	8/1965	Rapata		5,524,756 A	6/1996	Sutherland	
3,245,711 A	4/1966	Dantoin		5,551,566 A	9/1996	Sutherland	
3,281,180 A	10/1966	Spery		5,553,704 A	9/1996	Gordon et al.	
3,302,784 A	2/1967	Copping		5,553,705 A	9/1996	Bakx	
3,387,879 A	6/1968	Wood		5,590,776 A	1/1997	Galbierz	
3,432,202 A	3/1969	Ebelhardt		5,593,027 A	1/1997	Sutherland	
3,463,535 A *	8/1969	Beart	B65D 71/44 294/87.28	5,609,247 A	3/1997	Appleton	
3,528,697 A	9/1970	Wood		5,609,379 A	3/1997	Harrelson	
3,587,847 A	6/1971	Graser		5,682,982 A	11/1997	Stonehouse	
3,601,439 A	8/1971	Poupitch		5,706,936 A	1/1998	Bernstein	
3,627,121 A	12/1971	Deasy		5,711,419 A	1/1998	Beales et al.	
3,653,503 A	4/1972	Arneson		5,735,394 A	4/1998	Harrelson	
3,693,787 A	9/1972	Duerr		5,746,310 A	5/1998	Slomski	
3,701,416 A	10/1972	Lawrence		5,762,193 A	6/1998	Marco	
3,726,558 A	4/1973	Klygis		5,791,463 A	8/1998	Negelen	
3,734,278 A	5/1973	Kerrigan		5,816,391 A	10/1998	Harris	
3,876,066 A *	4/1975	Klygis	B65D 71/48 206/158	5,845,776 A	12/1998	Galbierz et al.	
3,897,873 A	8/1975	Graser		5,878,876 A	3/1999	Galbierz et al.	
3,924,739 A	12/1975	Gravesteijn		5,960,945 A	10/1999	Sutherland	
3,942,631 A	3/1976	Sutherland et al.		6,039,181 A	3/2000	Whiteside	
4,029,204 A	6/1977	Manizza		6,059,099 A	5/2000	Galbierz	
4,155,502 A	5/1979	Forte		6,082,532 A	7/2000	Miess	
4,190,149 A	2/1980	Oloff et al.		6,145,656 A	11/2000	Marco	
4,304,329 A	12/1981	Graser		6,315,111 B1	11/2001	Sutherland	
4,339,032 A	7/1982	Wood		6,394,272 B1	5/2002	Domansky	
4,372,599 A	2/1983	Kiedaisch et al.		6,896,130 B2	5/2005	Theelen	
4,378,879 A	4/1983	Killy		D506,925 S *	7/2005	Plumer	D9/415
4,382,505 A	5/1983	Sutherland et al.		7,011,209 B2	3/2006	Sutherland et al.	
4,441,611 A	4/1984	Sommariva		7,690,507 B2	4/2010	Sutherland	
4,471,870 A	9/1984	Uhlig		7,721,878 B2	5/2010	Requena	
4,523,676 A	6/1985	Barrash		7,762,397 B2	7/2010	Coltri-Johnson et al.	
4,784,266 A	11/1988	Chaussadas		7,789,231 B2	9/2010	Requena	
4,911,288 A	3/1990	Dantoin, Jr.		7,823,721 B2	11/2010	Sutherland et al.	
4,974,726 A	12/1990	Klygis et al.		8,096,413 B2	1/2012	Coltri DePaula	
5,002,225 A	3/1991	Bienaime		8,162,135 B2	4/2012	Oliveira	
5,103,971 A	4/1992	Schuster		8,353,398 B2	1/2013	DePaula et al.	
5,125,506 A	6/1992	Galbierz et al.		8,387,784 B2	3/2013	Gonzalez et al.	
5,139,147 A	8/1992	Sutherland		8,443,968 B2	5/2013	DePaula	
5,188,225 A	2/1993	Jorba		8,464,866 B2	6/2013	Sutherland et al.	
5,193,673 A	3/1993	Rathbone et al.		8,469,184 B2	6/2013	Spivey, Sr.	
5,201,412 A	4/1993	Schuster et al.		8,602,209 B2	12/2013	Jones et al.	
5,230,425 A	7/1993	Edqvist et al.		8,631,932 B2	1/2014	Holley, Jr.	
5,246,113 A	9/1993	Schuster		8,701,878 B2	4/2014	Spivey, Sr.	
5,263,299 A	11/1993	Galbierz et al.		8,925,720 B2	1/2015	Sutherland et al.	
5,267,644 A	12/1993	Tsao		8,936,149 B2	1/2015	Smalley	
5,282,348 A	2/1994	Dampier et al.		8,955,674 B2	2/2015	Spivey, Sr. et al.	
5,297,673 A	3/1994	Sutherland		9,079,699 B2	7/2015	Holley, Jr.	
5,310,050 A	5/1994	Sutherland		9,169,050 B2	10/2015	Spivey, Sr.	
5,310,051 A	5/1994	Sutherland		9,359,093 B2	6/2016	DePaula et al.	
5,314,224 A	5/1994	Bates		9,446,891 B2	9/2016	Jones et al.	
5,318,178 A	6/1994	Davies et al.		9,511,916 B2	12/2016	Holley, Jr.	
5,323,895 A	6/1994	Sutherland et al.		9,669,976 B2	6/2017	Kastanek et al.	
5,328,024 A	7/1994	Sutherland		9,676,535 B2	6/2017	Spivey, Sr.	
5,335,774 A	8/1994	Ganz		10,836,550 B2	11/2020	Zacherle	
5,351,815 A	10/1994	Fogle et al.		D920,809 S	6/2021	Chesnet et al.	
5,351,816 A	10/1994	Sutherland et al.		11,027,905 B2	6/2021	Ford	
5,351,817 A	10/1994	Sutherland		2002/0195371 A1	12/2002	Brown	
5,355,999 A	10/1994	Sutherland		2003/0080004 A1	5/2003	Olsen et al.	
5,360,104 A	11/1994	Sutherland		2003/0213705 A1	11/2003	Woog	
5,390,784 A	2/1995	Sutherland		2004/0211695 A1	10/2004	Karlsson	
5,407,065 A	4/1995	Sutherland		2004/0226833 A1	11/2004	Daniel	
5,415,278 A	5/1995	Sutherland		2005/0127151 A1	6/2005	Johnson	
5,443,153 A	8/1995	Sutherland		2005/0199513 A1	9/2005	Bakx et al.	
5,445,262 A	8/1995	Sutherland		2009/0101526 A1	4/2009	Sutherland et al.	
5,452,799 A	9/1995	Sutherland		2009/0127147 A1	5/2009	Sutherland	
				2010/0078337 A1	4/2010	Sutherland et al.	
				2010/0264043 A1	10/2010	DePaula	
				2012/0138489 A1	6/2012	Holley, Jr.	
				2015/0191287 A1	7/2015	L'Heureux et al.	
				2016/0325899 A1	11/2016	L'Heureux et al.	
				2018/0362234 A1	12/2018	L'Heureux et al.	
				2019/0119019 A1	4/2019	Patton	
				2020/0010255 A1	1/2020	Zacherle et al.	

(56)

References Cited

U.S. PATENT DOCUMENTS

2020/0189818 A1\* 6/2020 McCree ..... B65D 71/46  
 2020/0189819 A1\* 6/2020 McCree ..... B31B 50/624  
 2020/0189821 A1\* 6/2020 Smalley ..... B65D 71/48  
 2020/0189822 A1\* 6/2020 Smalley ..... B65D 71/0003  
 2021/0094742 A1\* 4/2021 Gonzalez Manzano .....  
 B65D 71/42

FOREIGN PATENT DOCUMENTS

DE 298 13 672 U1 11/1998  
 DE 10 2009 059 047 A1 6/2011  
 EP 0 051 413 A1 5/1982  
 EP 0 060 504 A2 9/1982  
 EP 0 057 437 B1 5/1985  
 EP 0 496 807 6/1993  
 EP 0 636 096 2/1995  
 EP 0 715 593 A1 6/1996  
 EP 0 398 835 B1 10/1996  
 EP 2 067 713 A1 6/2009  
 EP 1 528 007 B1 10/2010  
 EP 2739547 B1 7/2017  
 EP 3 666 684 A1 6/2020  
 FR 2 737 196 A1 1/1997  
 GB 1 256 684 12/1971  
 GB 2 321 229 A 7/1998  
 JP 10-297668 A 11/1998  
 JP 2001-519300 A 10/2001  
 JP 2003-146359 5/2003  
 JP 2004-189243 A 7/2004  
 JP 2015-048088 A 3/2015  
 KR 10-2005-0051616 A 6/2005  
 KR 10-2020-0106806 A 9/2020  
 WO WO 93/02941 2/1993  
 WO WO 93/21083 10/1993  
 WO WO 93/25439 A1 12/1993  
 WO WO 94/22738 A1 10/1994  
 WO WO 95/01289 A1 1/1995  
 WO WO 95/06604 3/1995  
 WO WO 96/26128 A1 8/1996  
 WO WO 96/32340 A1 10/1996  
 WO WO 2008/058294 A1 5/2008  
 WO WO 2010/006629 A1 1/2010

OTHER PUBLICATIONS

European Search Report for EP 20 16 8268 dated Oct. 2, 2020.  
 European Search Report for EP 19 18 0460 dated Jan. 13, 2020.  
 European Search Report for EP 19 18 0439 dated Jan. 10, 2020.  
 International Search Report and Written Opinion for PCT/US2020/  
 054205 dated Jan. 20, 2021.  
 International Search Report and Written Opinion for PCT/US2020/  
 064472 dated Mar. 15, 2021.  
 International Search Report and Written Opinion for PCT/US2020/  
 064471 dated Mar. 29, 2021.  
 International Search Report and Written Opinion for PCT/US2020/  
 064473 dated Apr. 1, 2021.  
 European Search Report for EP 20 20 533 dated Mar. 23, 2021.  
 European Search Report for EP 19 18 0436 dated Jan. 22, 2020.  
 European Search Report for EP 19 18 0446 dated Feb. 3, 2020.  
 European Search Report for EP 19 18 0453 dated Feb. 10, 2020.  
 European Search Report for EP 20 21 5364 dated Jul. 1, 2021.  
 European Search Report for EP 20 21 5371 dated Jul. 1, 2021.  
 European Search Report for EP 20 21 5399 dated Jul. 1, 2021.  
 International Search Report and Written Opinion for PCT/US2019/  
 034491 dated Sep. 19, 2019.  
 International Search Report and Written Opinion for PCT/US2019/  
 034490 dated Sep. 19, 2019.  
 International Search Report and Written Opinion for PCT/US2019/  
 034494 dated Sep. 19, 2019.  
 International Search Report and Written Opinion for PCT/US2019/  
 034489 dated Sep. 19, 2019.  
 International Search Report and Written Opinion for PCT/US2019/  
 034493 dated Sep. 20, 2019.  
 U.S. Appl. No. 17/478,025, filed Sep. 17, 2021.  
 U.S. Appl. No. 17/487,113, filed Sep. 28, 2021.  
 U.S. Appl. No. 17/487,131, filed Sep. 28, 2021.  
 U.S. Appl. No. 17/487,141, filed Sep. 28, 2021.  
 U.S. Appl. No. 17/487,262, filed Sep. 28, 2021.  
 International Search Report and Written Opinion for PCT/US2021/  
 052279 dated Jan. 5, 2022.  
 International Search Report and Written Opinion for PCT/US2021/  
 052278 dated Jan. 5, 2022.  
 International Search Report and Written Opinion for PCT/US2021/  
 052272 dated Jan. 7, 2022.

\* cited by examiner

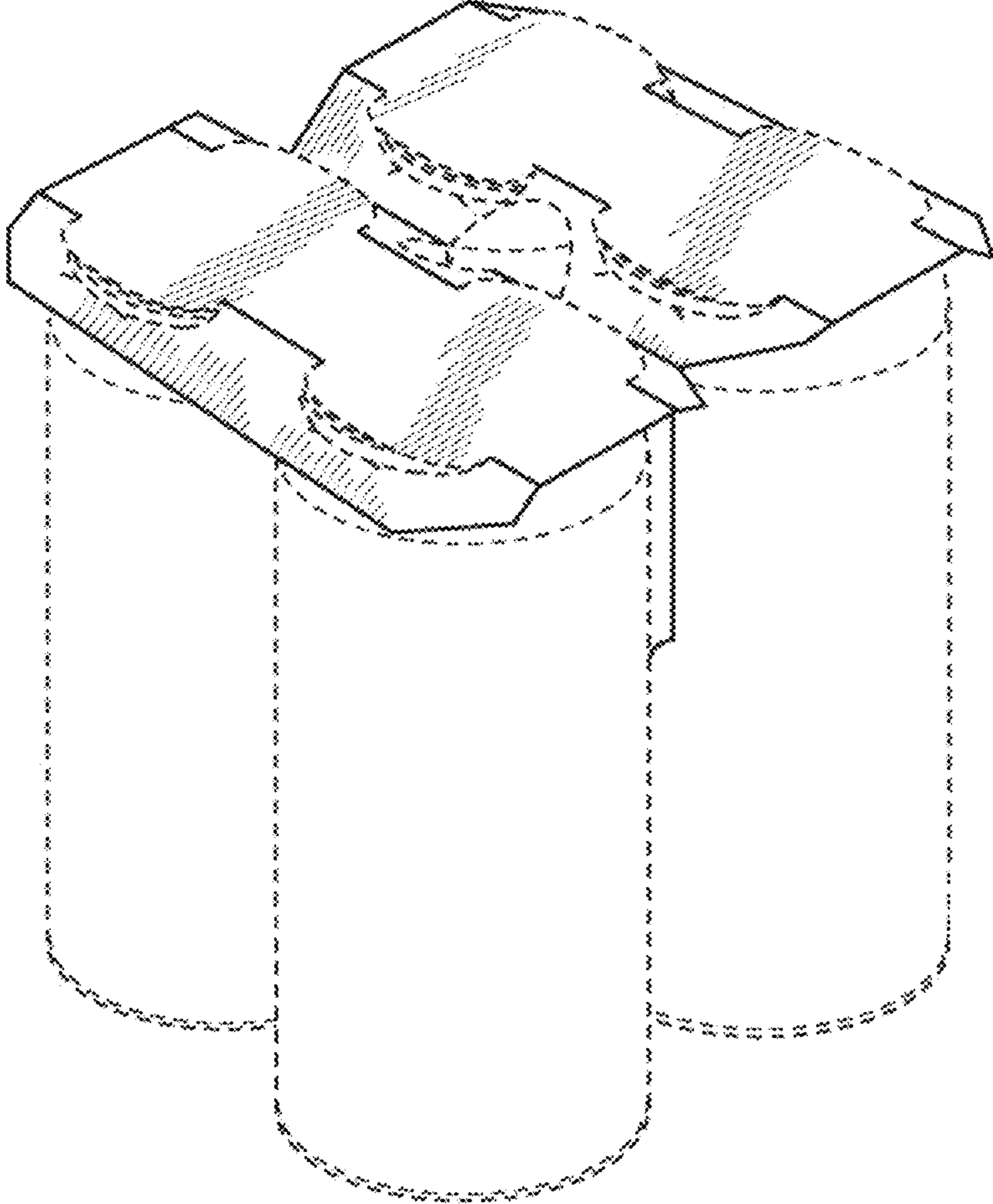


FIG. 1

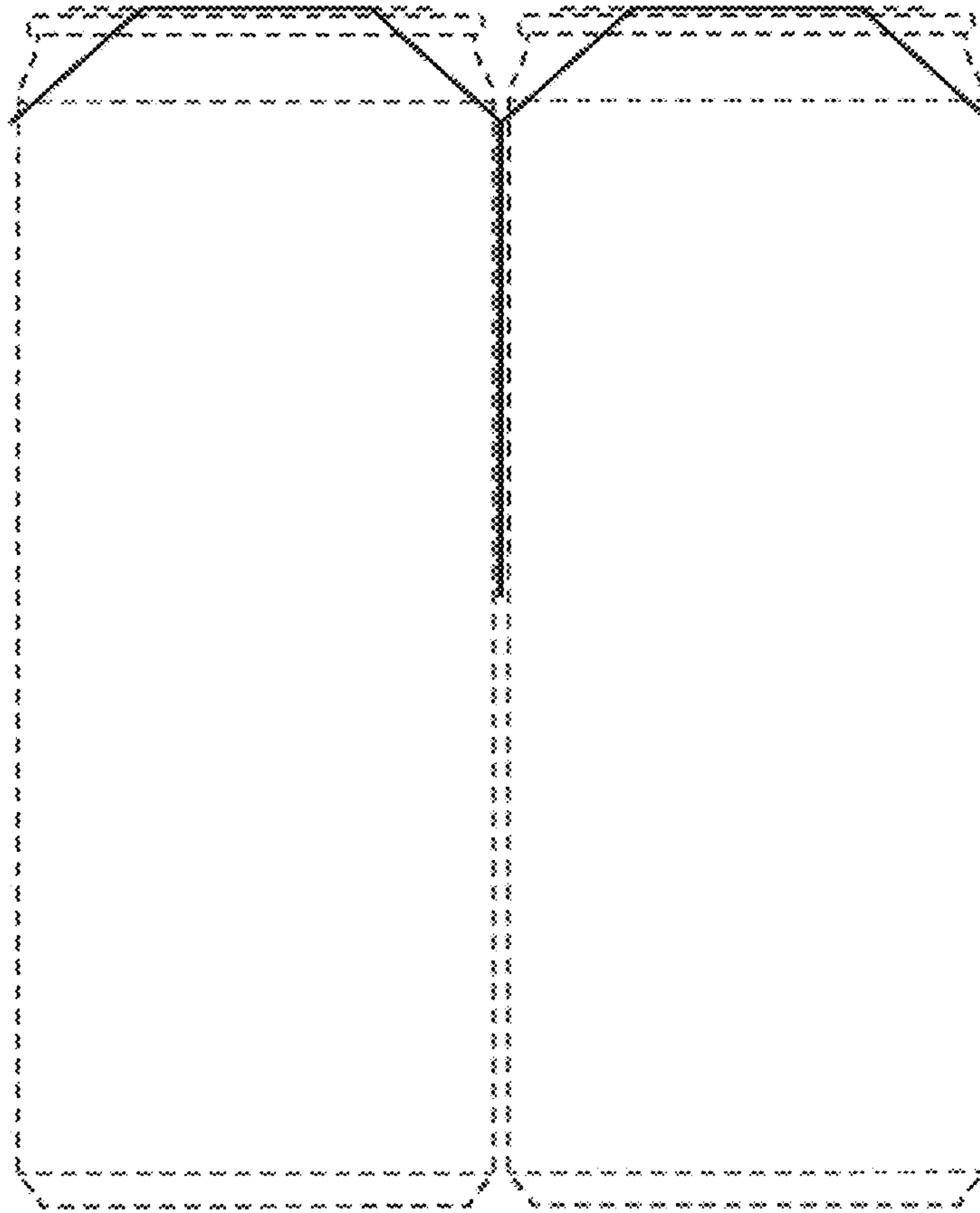
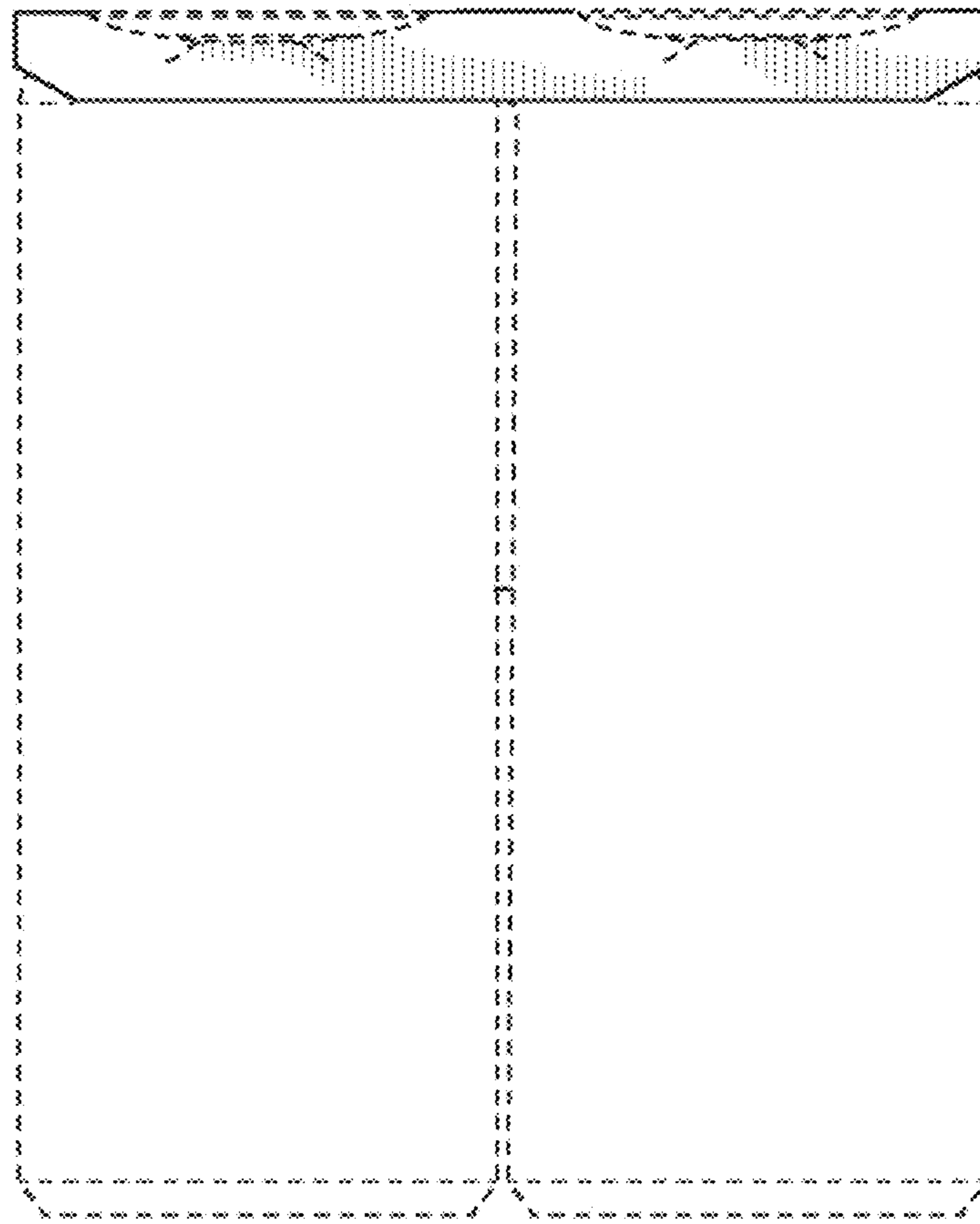


FIG. 2



**FIG. 3**

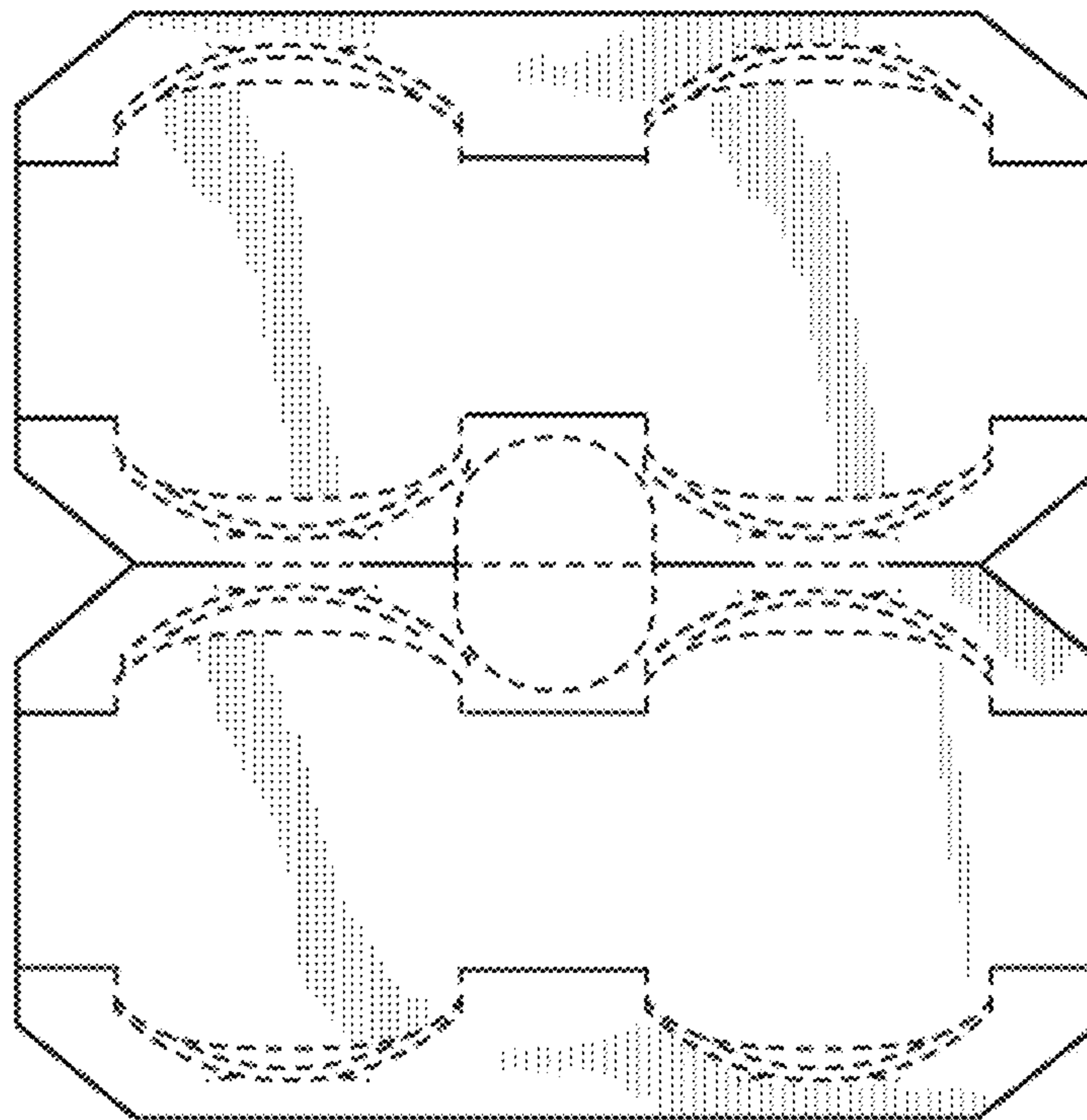


FIG. 4

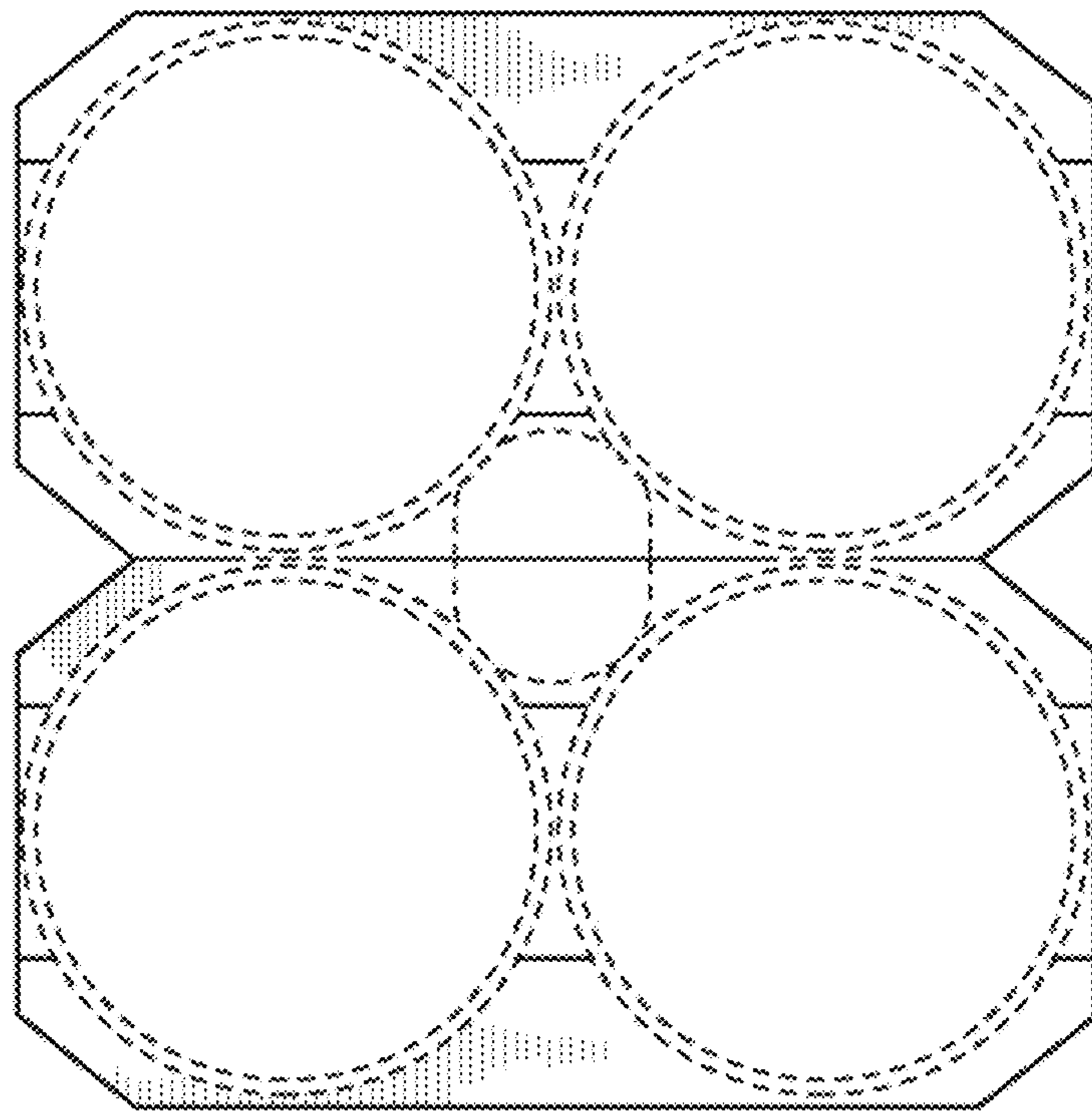


FIG. 5



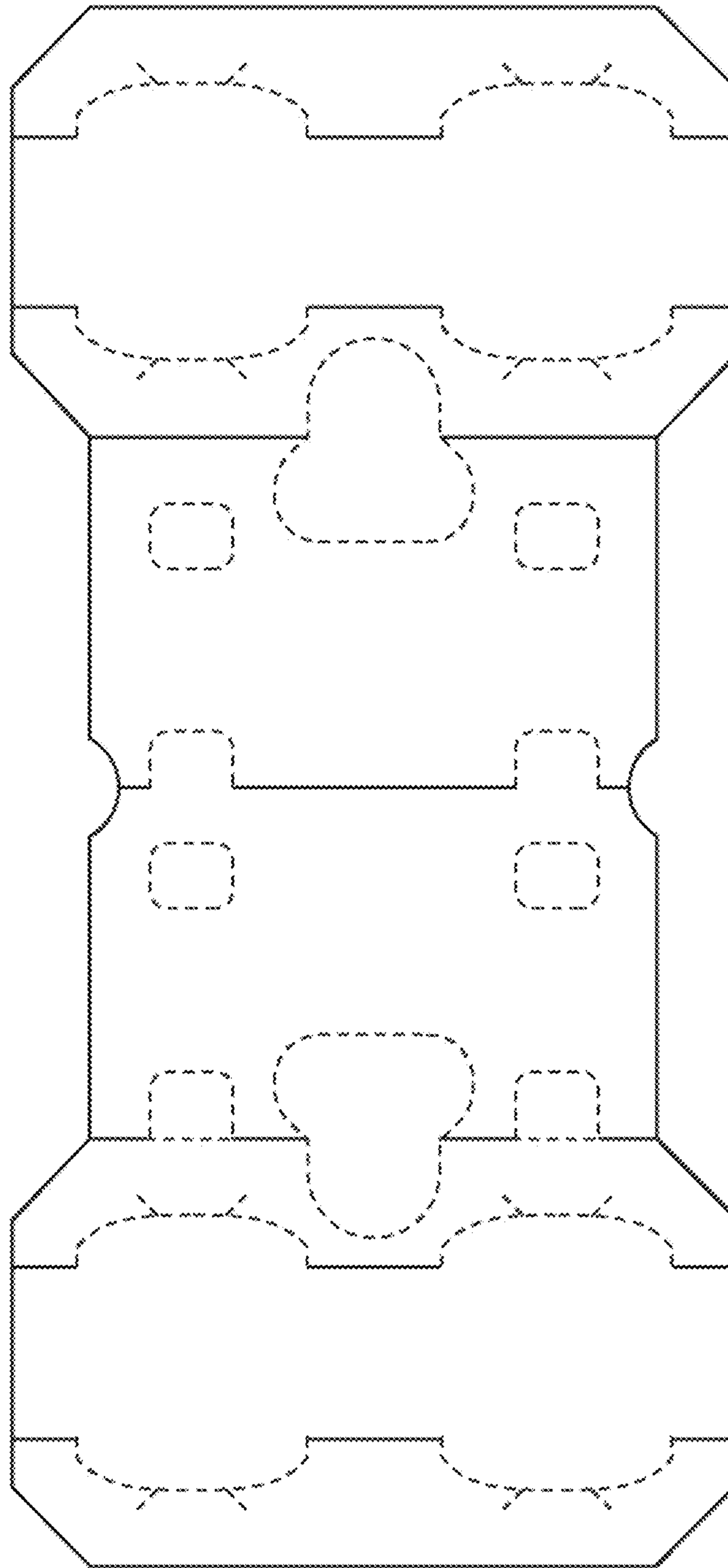


FIG. 6