

US00D946404S

(12) **United States Design Patent**
Neputy

(10) **Patent No.:** **US D946,404 S**

(45) **Date of Patent:** **** Mar. 22, 2022**

(54) **CLOSURE**

(71) Applicant: **Silgan White Cap LLC**, Downers Grove, IL (US)

(72) Inventor: **Darren R. Neputy**, Palos Hills, IL (US)

(73) Assignee: **Silgan White Cap LLC**, Downers Grove, IL (US)

(**) Term: **15 Years**

(21) Appl. No.: **29/736,087**

(22) Filed: **May 27, 2020**

Related U.S. Application Data

(62) Division of application No. 29/611,386, filed on Jul. 20, 2017, now Pat. No. Des. 888,554.

(51) **LOC (13) Cl.** **09-07**

(52) **U.S. Cl.**
USPC **D9/452**

(58) **Field of Classification Search**

USPC D3/10, 17, 29, 200, 202, 203.1, 207; D7/387, 391, 392, 392.1, 393, 396.1, D7/396.2, 398, 900; D8/300, 303, 321; D9/2-715, 723-729, 745, 746, 774, 724, D9/726, 727; D12/197, 200, 212; D19/96, 162, 163, 187, 194; D23/259, D23/260, 261; D24/111, 112, 127, 196, D24/197, 199, 224; D28/76, 84
CPC B65D 75/5883; B65D 41/3414; B65D 41/00; B65D 41/3447; B65D 2101/0023; B65D 2101/0046; B65D 2213/00; B65D 81/3272; B65D 85/12; B65D 23/065; B65D 47/066; A45D 2200/05; A45D 2200/051; A45D 34/00; A45D 34/02; A45D 40/00; A45D 40/40; A45D 40/0068; A45D 40/0073; A45D 2034/007; A45F 3/16; A47G 19/2266; A47G 19/2272

See application file for complete search history.

(56) **References Cited**

U.S. PATENT DOCUMENTS

D18,342 S 5/1888 Meyer
D58,417 S 7/1921 Hothersall
D58,571 S 8/1921 Hyatt
D78,805 S 6/1929 Burke
D124,384 S 12/1940 Ehrlich
D145,010 S 6/1946 Derham
D147,027 S 7/1947 Stevens
D153,912 S 5/1949 Baron

(Continued)

OTHER PUBLICATIONS

Silgan, "Carafe Closure," published Jan. 21, 2019, accessed on Internet on Sep. 18, 2019 [https://www.bevindustry.com/articles/91774-consumer-trends-influence-caps-closures-market], 2 pages.

(Continued)

Primary Examiner — Catherine S Posthauer

(74) *Attorney, Agent, or Firm* — Reinhart Boerner Van Deuren s.c.

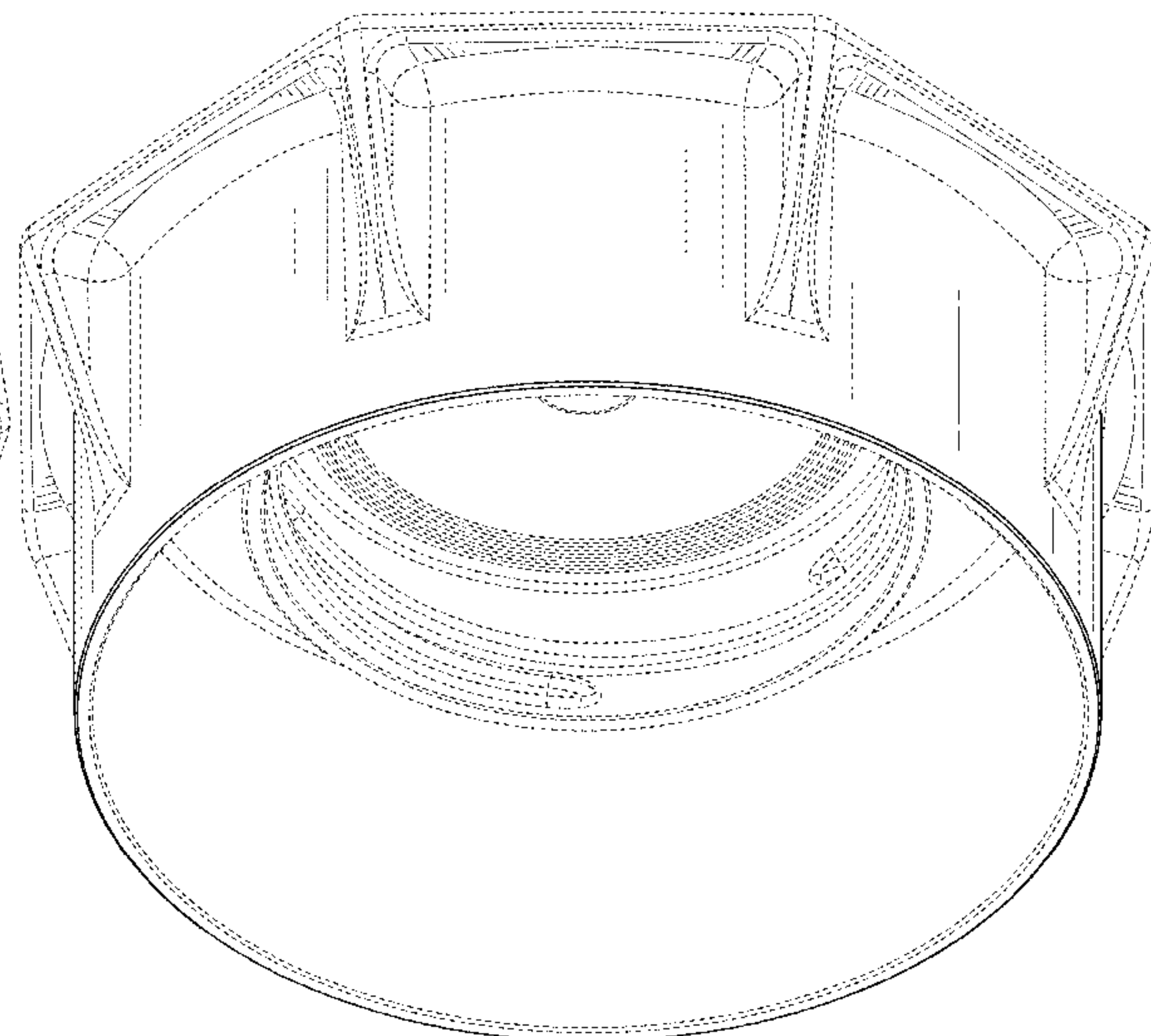
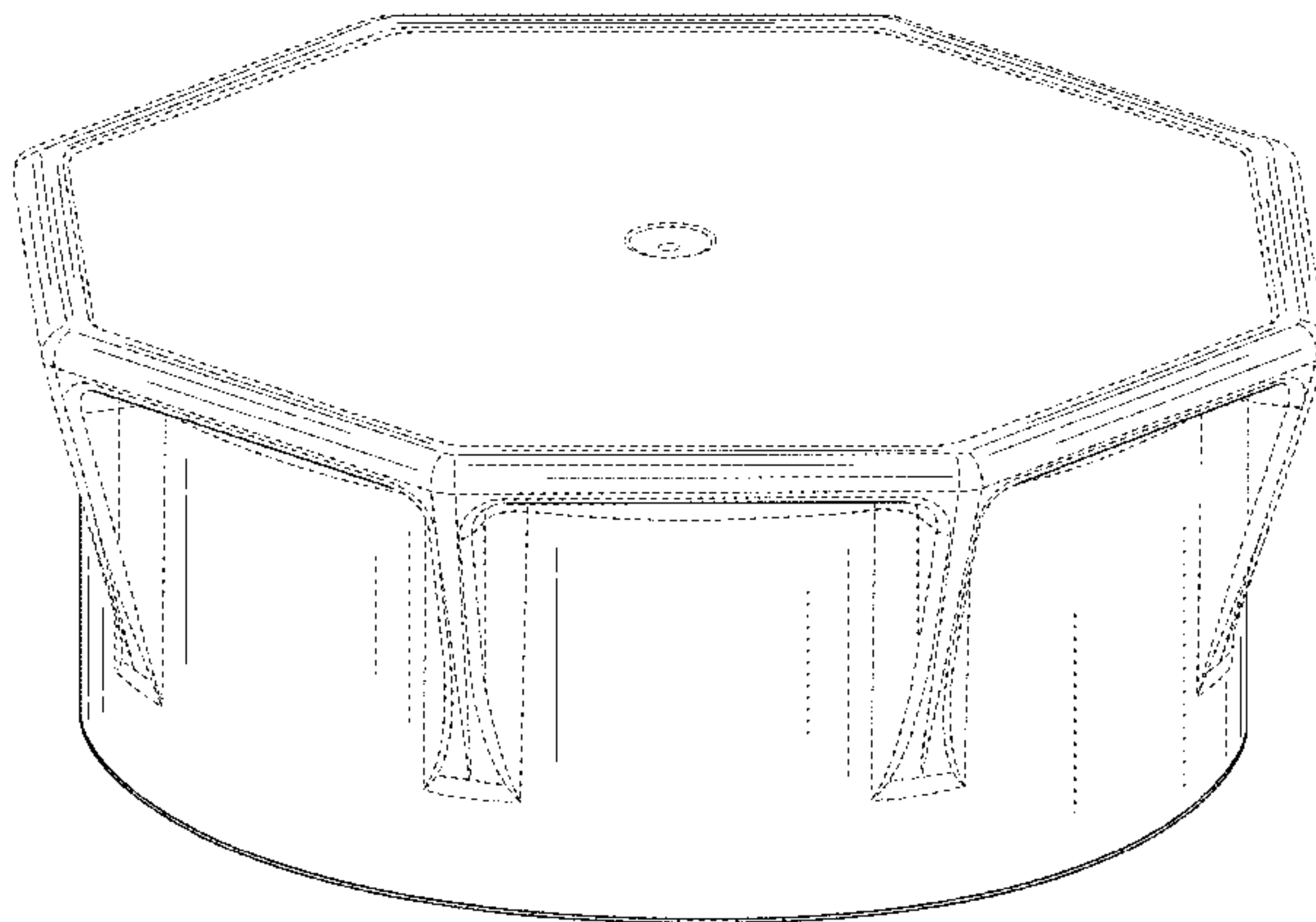
(57) **CLAIM**

I claim the ornamental design for a closure, as shown and described.

DESCRIPTION

FIG. 1 is a front perspective view of the claimed design; FIG. 2 is a bottom perspective view of FIG. 1; FIG. 3 is a front view of FIG. 1, the right, back, and left view being largely the same; FIG. 4 is a top view of FIG. 1; and, FIG. 5 is a bottom view of FIG. 1. The broken lines in the drawings are shown for the purpose of illustrating parts of the article that form no part of the claimed design.

1 Claim, 5 Drawing Sheets



(56)

References Cited

U.S. PATENT DOCUMENTS

D183,424 S 8/1958 Goldberg
 D198,953 S 8/1964 Quintal
 D202,827 S 11/1965 Elkner
 D220,031 S * 3/1971 Donovan D9/429
 D244,356 S * 5/1977 Pardo D9/453
 4,388,334 A 6/1983 Deveaux
 D405,012 S 2/1999 Krautkramer
 D405,695 S 2/1999 Zelmo
 D408,284 S 4/1999 Ekkert et al.
 D442,089 S 5/2001 Sadeghi et al.
 D482,967 S 12/2003 Bourque et al.
 6,783,014 B2 * 8/2004 Luker B65D 41/0414
 215/303
 D515,923 S 2/2006 Pitman et al.
 D520,361 S 5/2006 Crawford et al.
 D568,450 S 5/2008 King, Jr. et al.
 D631,349 S 1/2011 Arnell et al.
 D639,161 S 6/2011 Webster
 D673,045 S * 12/2012 Clark D9/452
 D673,046 S 12/2012 Clark
 D678,771 S 3/2013 Kawamura
 D679,185 S 4/2013 Brown et al.
 D679,186 S 4/2013 Brown et al.
 D679,597 S 4/2013 Tamarindo
 D690,201 S 9/2013 Klebeck

D693,222 S 11/2013 Ramsey et al.
 D708,950 S 7/2014 Zeid et al.
 D711,227 S 8/2014 Sheikh
 D714,146 S 9/2014 King
 D721,963 S 2/2015 Finkbohner et al.
 D756,221 S 5/2016 Koop et al.
 D757,545 S 5/2016 King
 D793,154 S 8/2017 Sorensen et al.
 D799,962 S 10/2017 Steel
 D806,544 S 1/2018 Williams
 D813,671 S 3/2018 Arthur, IV et al.
 9,938,050 B2 4/2018 Berge
 9,981,785 B2 5/2018 Berge
 D885,905 S * 6/2020 Neputy D9/453
 D888,554 S * 6/2020 Neputy D9/452
 D892,616 S * 8/2020 Neputy D9/452
 2005/0006334 A1 * 1/2005 Luker B65D 41/0485
 215/334
 2015/0129533 A1 5/2015 Taber et al.
 2015/0232237 A1 8/2015 Berge et al.

OTHER PUBLICATIONS

Silgan, "Carafe Closure," published 2018, accessed on Internet on Sep. 18, 2019 [<https://www.silgancis.com/sproduct/carafe-closures/>], 6 pages.

* cited by examiner

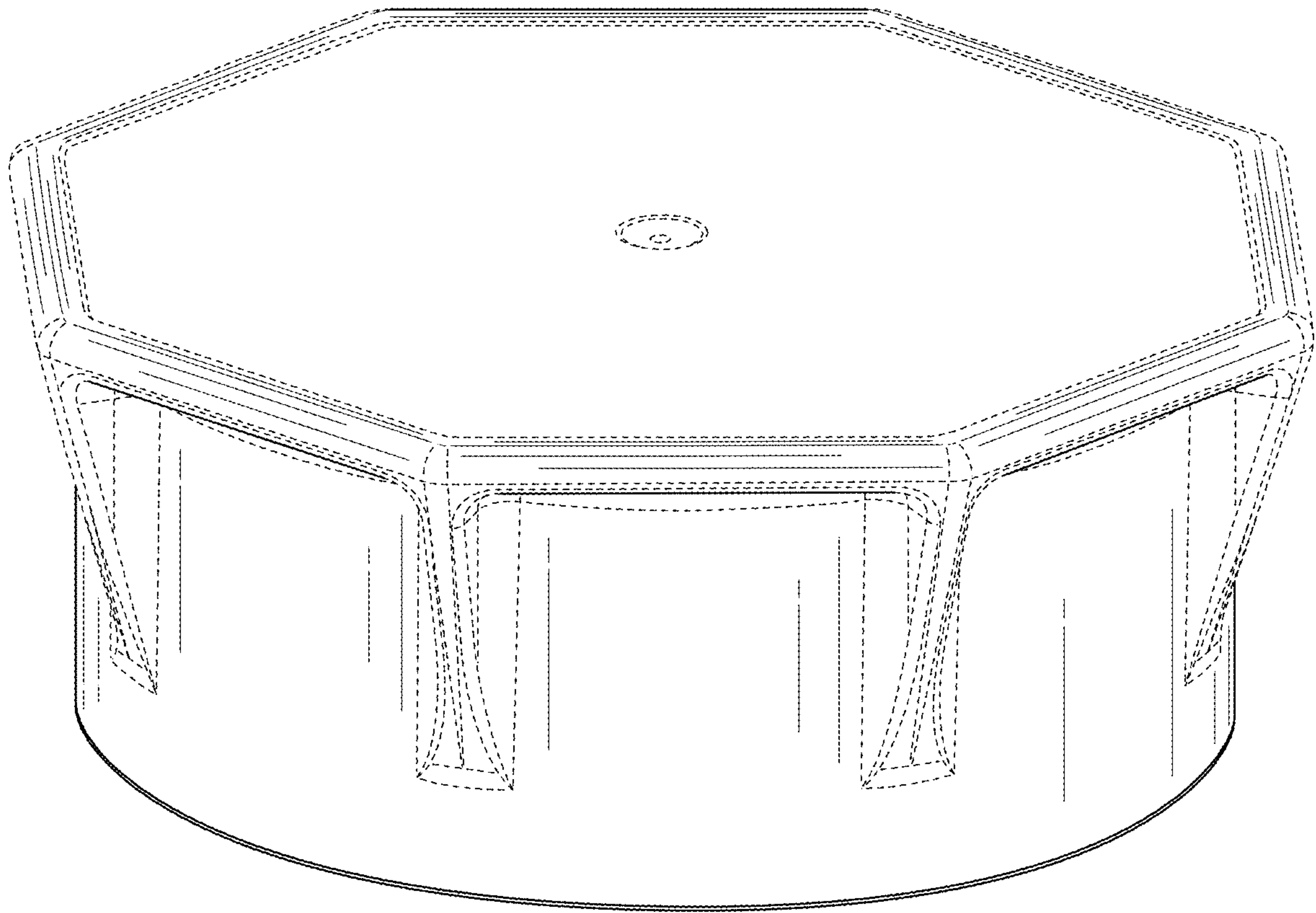


FIG. 1

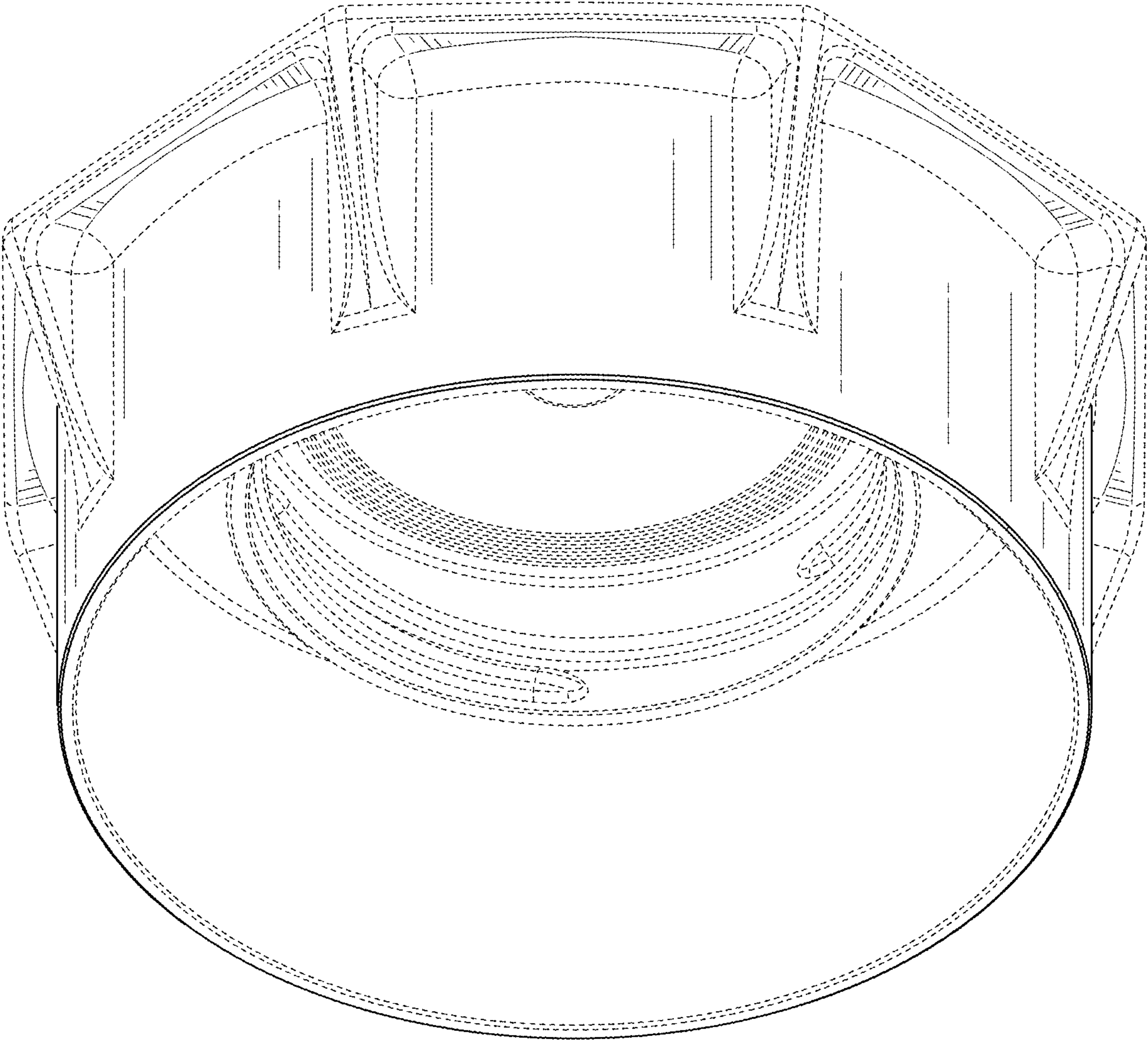


FIG. 2

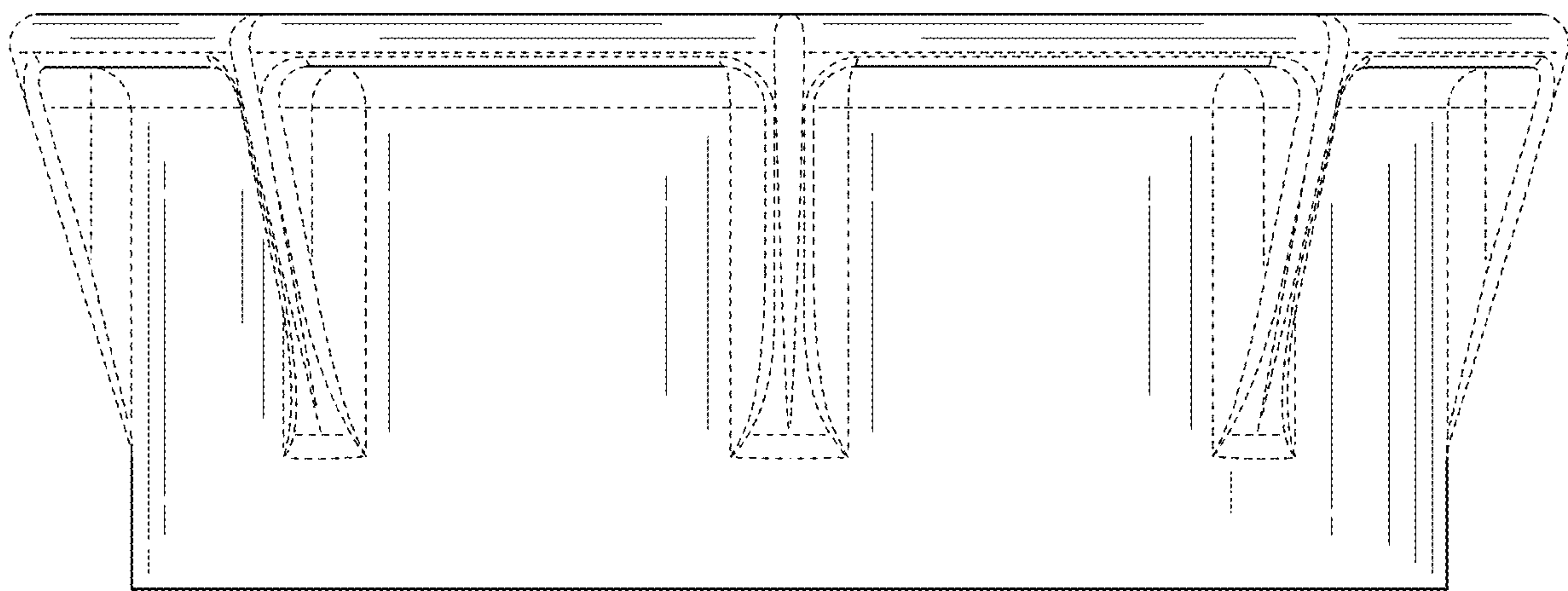


FIG. 3

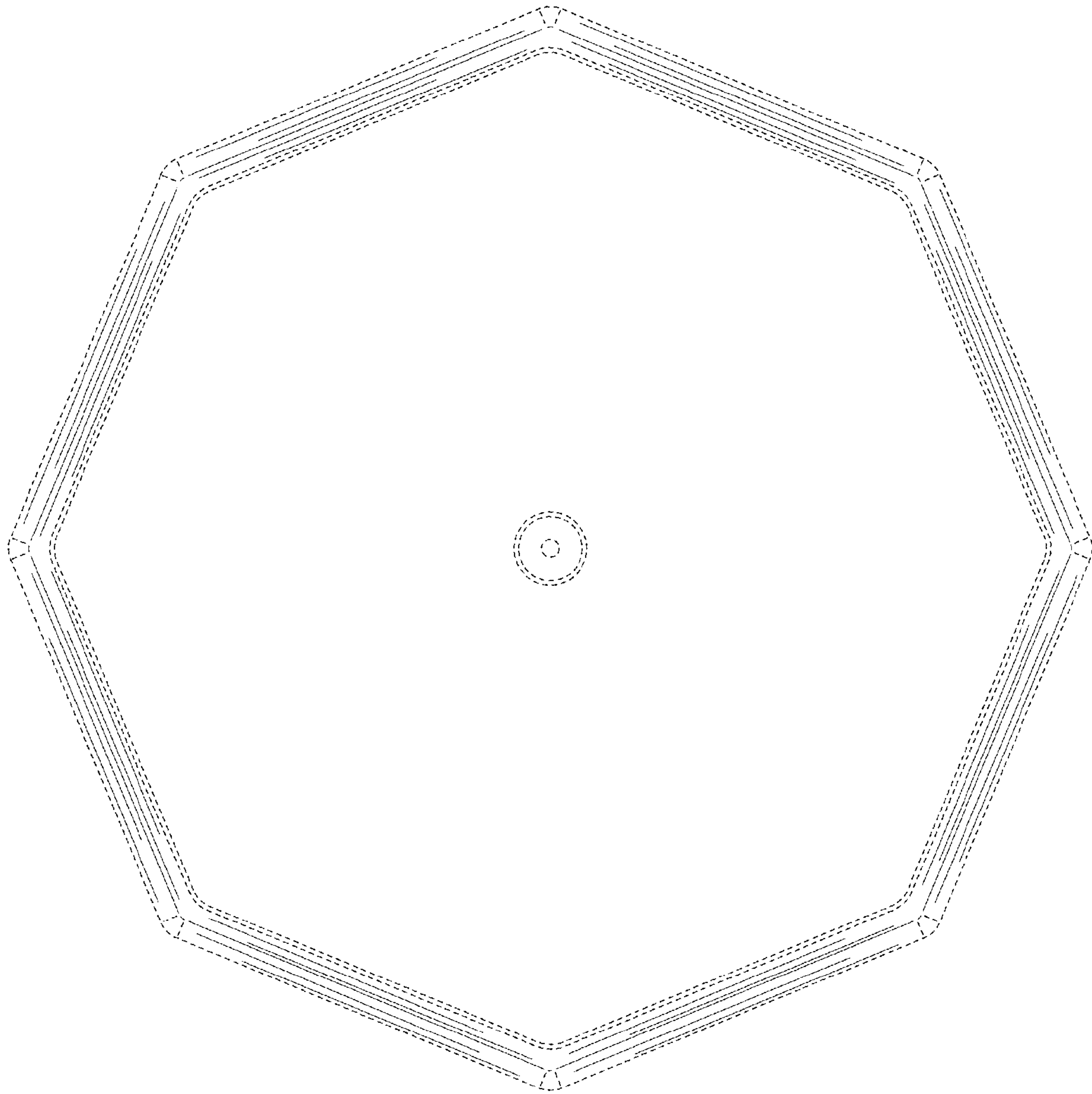


FIG. 4

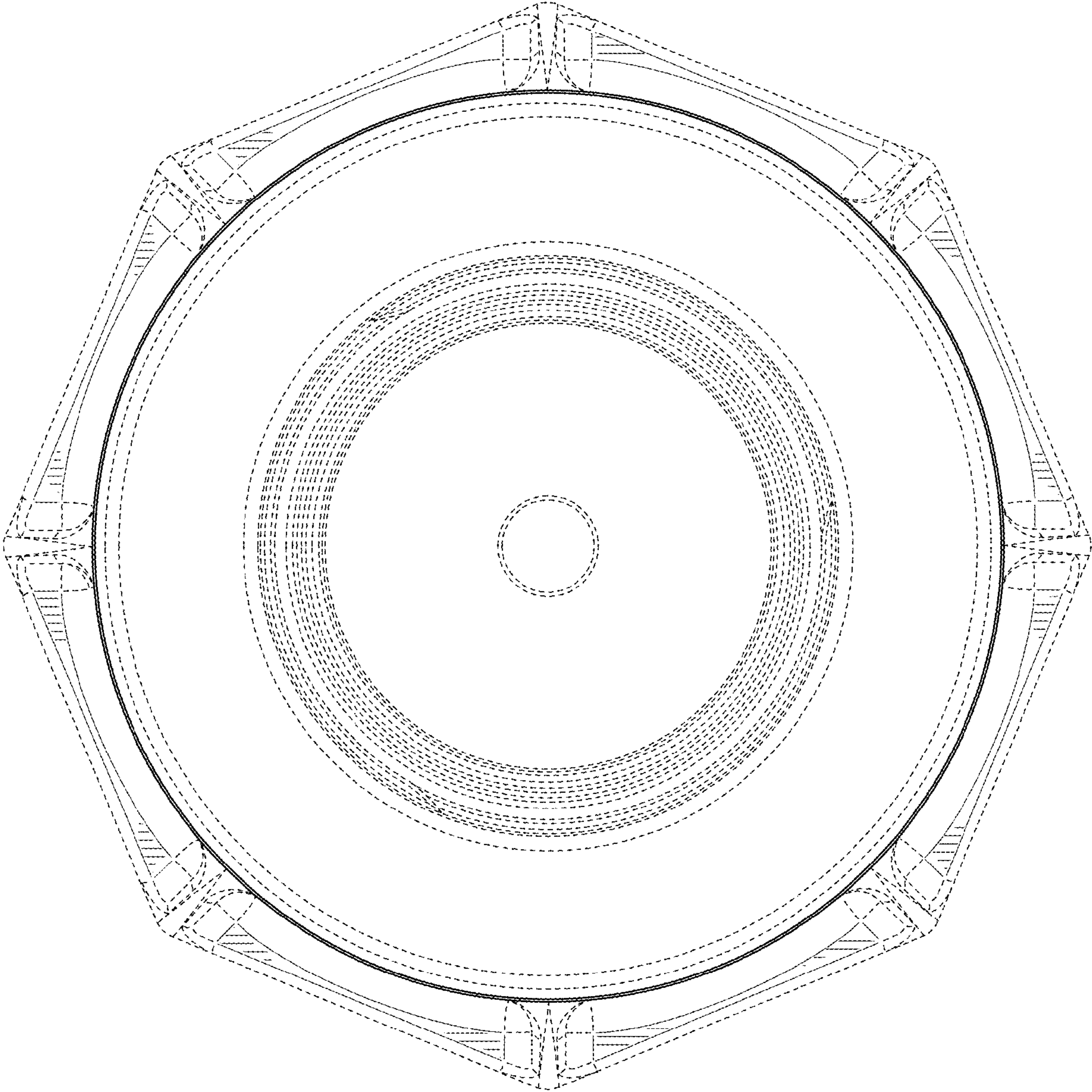


FIG. 5