



US00D946403S

(12) **United States Design Patent** (10) **Patent No.:** **US D946,403 S**  
**Pepe** (45) **Date of Patent:** **\*\* Mar. 22, 2022**

(54) **COVER OF A TRIGGER DISPENSER DEVICE**

2585/545; B65D 47/00; B65D 47/06;  
B65D 47/08; B65D 41/00; B65D 41/38;  
B65D 41/56; B65D 41/62; B65D 5/46;  
A61J 1/00; A61J 1/1412

(71) Applicant: **GUALA DISPENSING S.p.A.**,  
Alessandria (IT)

See application file for complete search history.

(72) Inventor: **Marco Pepe**, Alessandria (IT)

(56) **References Cited**

(73) Assignee: **GUALA DISPENSING S.p.A.**,  
Alessandria (IT)

U.S. PATENT DOCUMENTS

(\*\*) Term: **15 Years**

D569,248 S *	5/2008	Seum .....	D9/448
D569,249 S *	5/2008	Seum .....	D9/448
D569,725 S *	5/2008	Adamson .....	D9/448
D578,887 S *	10/2008	Sweeton .....	D9/448
D579,330 S *	10/2008	Sweeton .....	D9/448
D580,759 S *	11/2008	Sweeton .....	D9/448
D588,003 S *	3/2009	Sweeton .....	D9/448
D601,421 S *	10/2009	Buogo .....	D9/448
D601,895 S *	10/2009	Buogo .....	D9/448
D601,896 S *	10/2009	Buogo .....	D9/448

(21) Appl. No.: **35/510,151**

(22) Filed: **Aug. 5, 2020**

\* cited by examiner

(80) **Hague Agreement Data**

Int. Filing Date: **Aug. 5, 2020**  
Int. Reg. No.: **DM/209693**  
Int. Reg. Date: **Aug. 5, 2020**  
Int. Reg. Pub. Date: **Aug. 21, 2020**

*Primary Examiner* — Michael A. Pratt  
(74) *Attorney, Agent, or Firm* — Thomas I Horstemeyer,  
LLP

(30) **Foreign Application Priority Data**

Mar. 23, 2020 (WO) ..... WIPO93406

(51) **LOC (13) Cl.** ..... **09-07**

(52) **U.S. Cl.**  
USPC ..... **D9/448**

(58) **Field of Classification Search**  
USPC ..... D23/226; D9/682-694, 695, 723, 724,  
D9/729, 434, 435, 436, 439, 440, 448,  
D9/449  
CPC ..... A47K 5/16; A47K 5/1205; A47K 5/1217;  
A47K 5/14; B05B 7/065; B05B 11/3045;  
B05B 11/3046; B05B 7/0037; B05B 1/02;  
B05B 11/0029; B05B 11/3011; B05B  
1/3436; A61M 11/02; A61M 11/006;  
A61N 5/0603; B65D 1/00; B65D 1/02;  
B65D 1/10; B65D 1/46; B65D 39/00;  
B65D 39/0047; B65D 2585/56; B65D

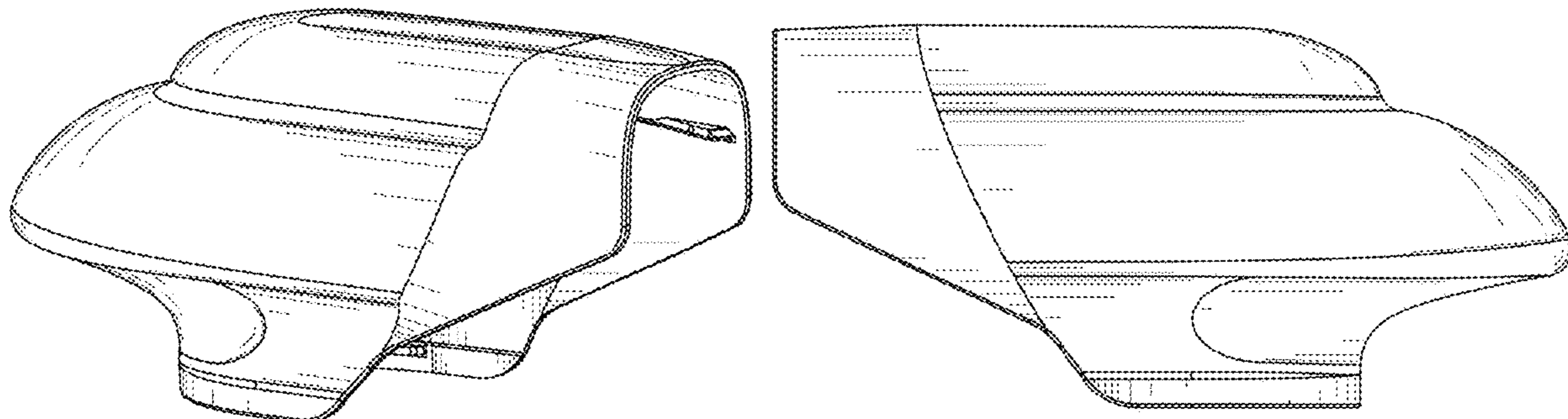
(57) **CLAIM**

The ornamental design for a cover of a trigger dispenser device, as shown and described.

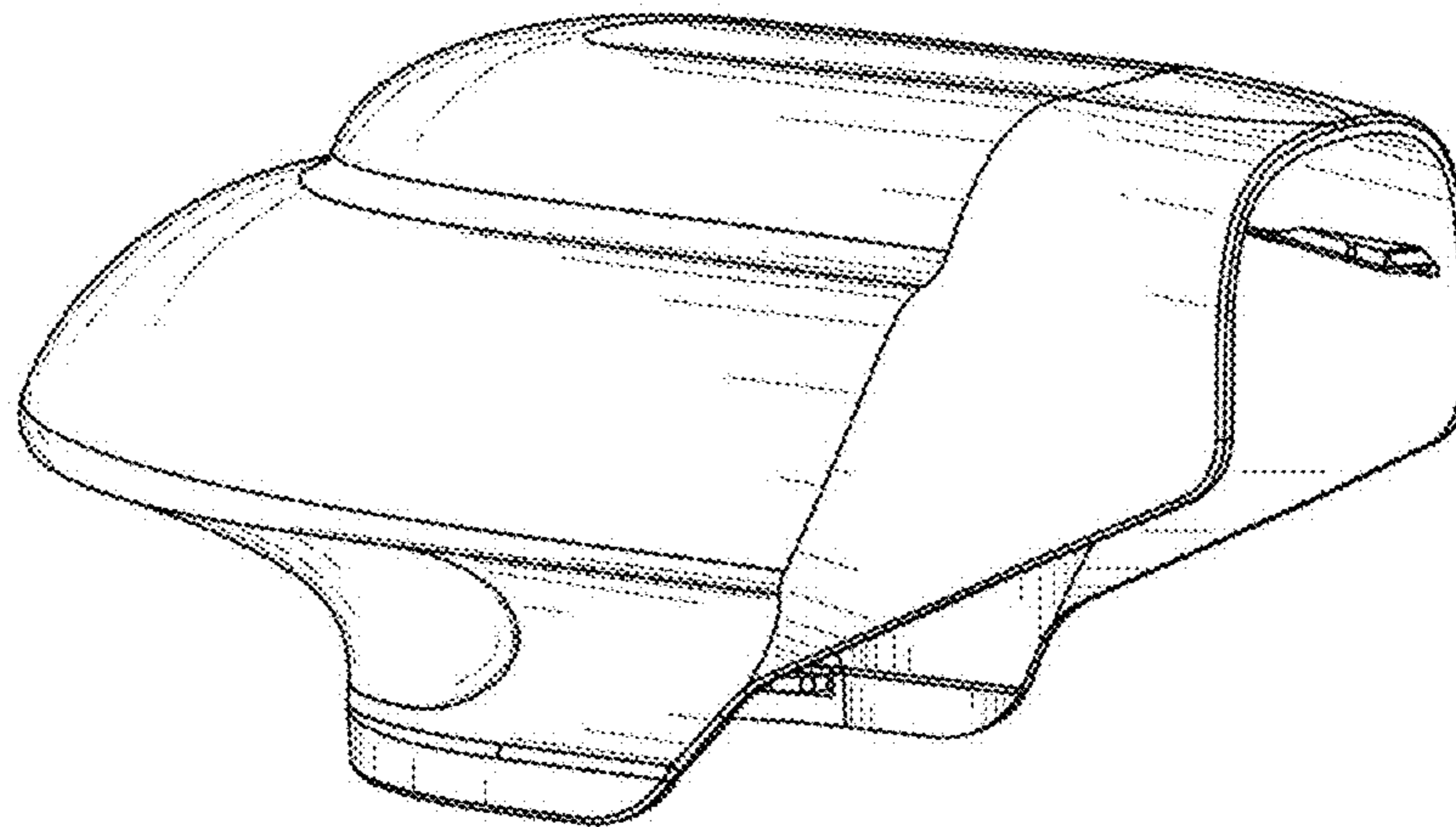
**DESCRIPTION**

**1.1** is a front perspective view of the cover of a trigger dispenser device;  
**1.2** is a left view thereof;  
**1.3** is a right view thereof;  
**1.4** is a front view thereof;  
**1.5** is a rear view thereof;  
**1.6** is a top view thereof; and  
**1.7** is a bottom view thereof.  
The portions of the “cover of a trigger dispenser” shown in broken lines form no part of the claimed design.

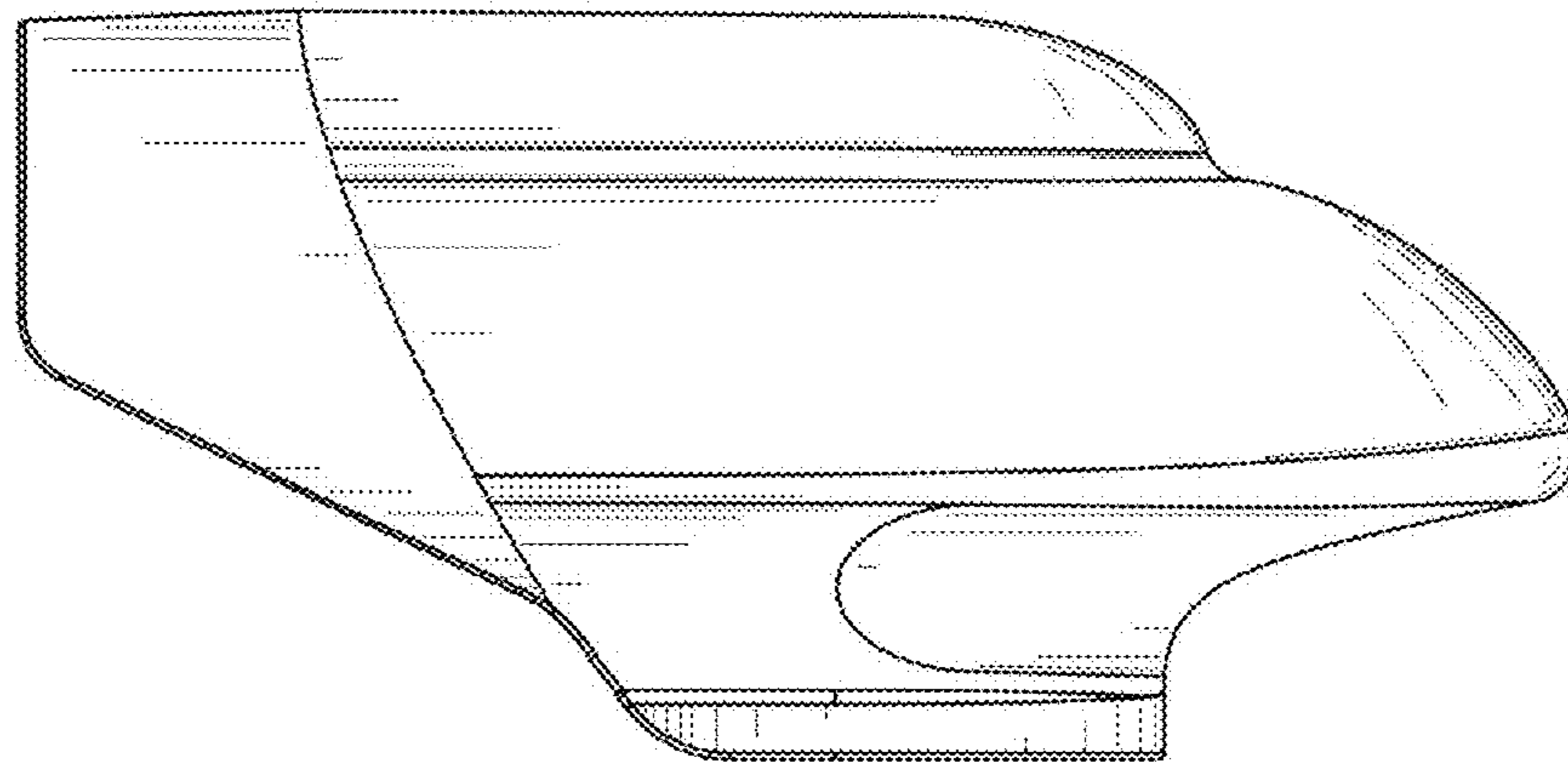
**1 Claim, 7 Drawing Sheets**



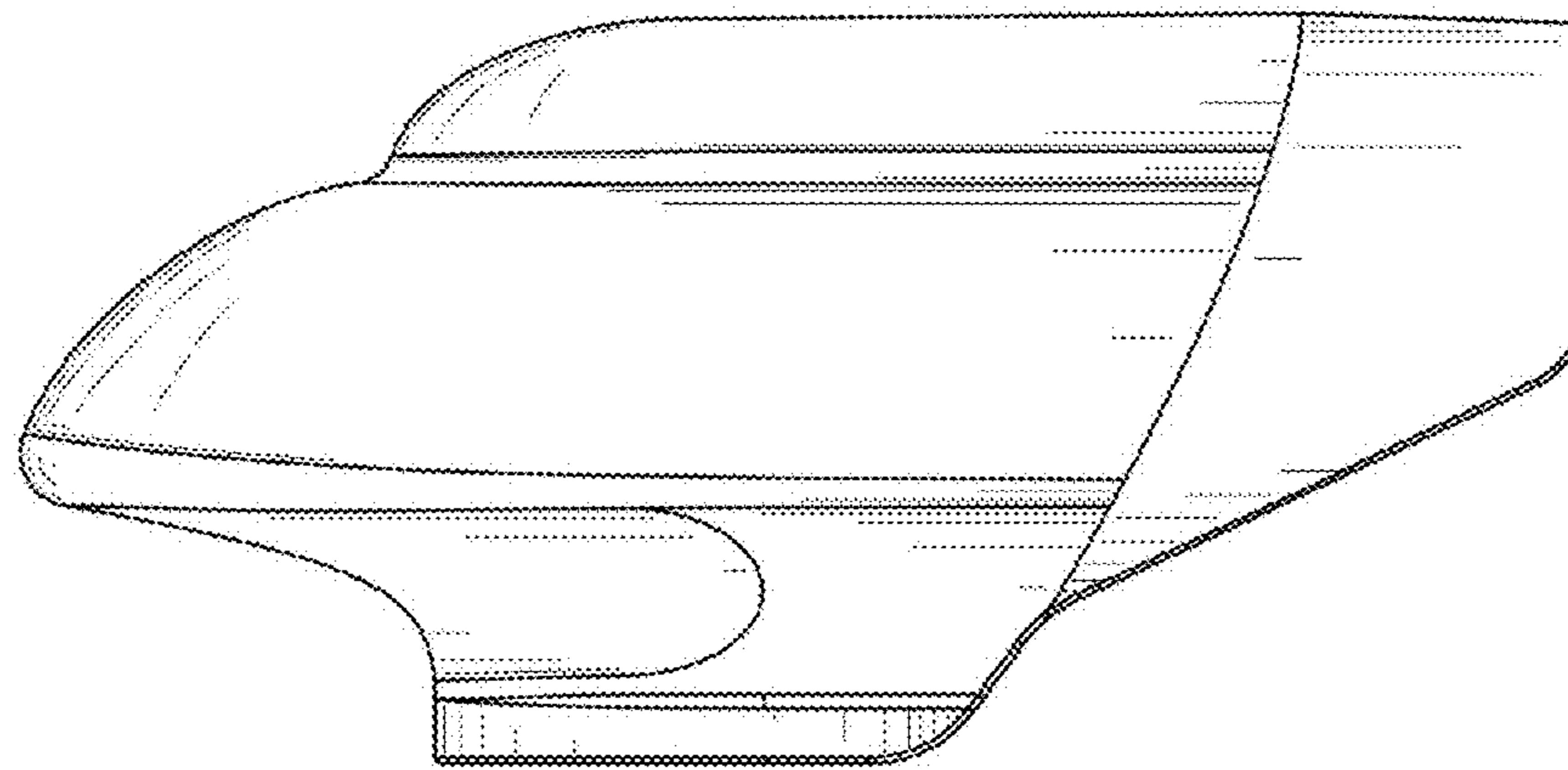
1.1



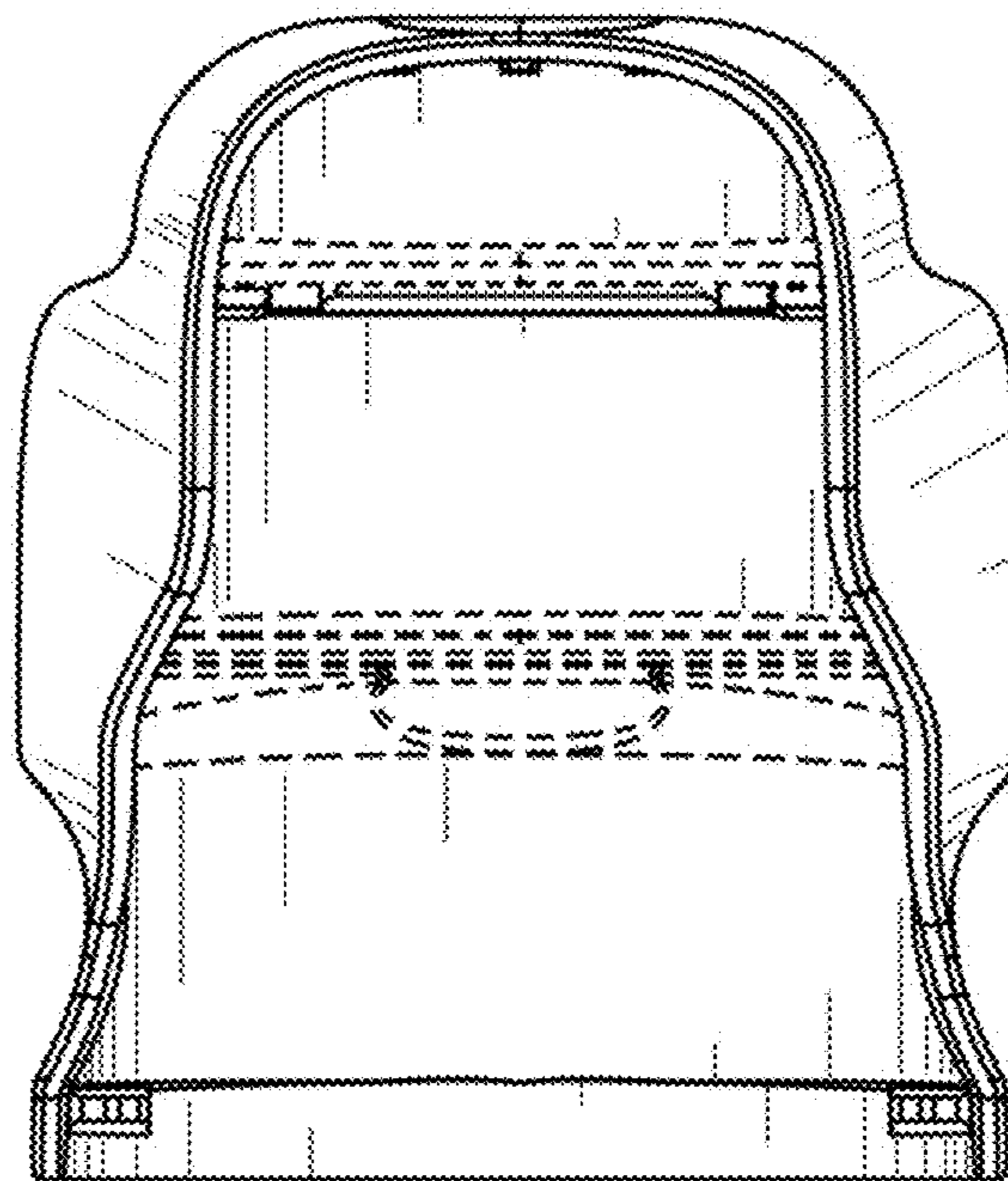
1.2



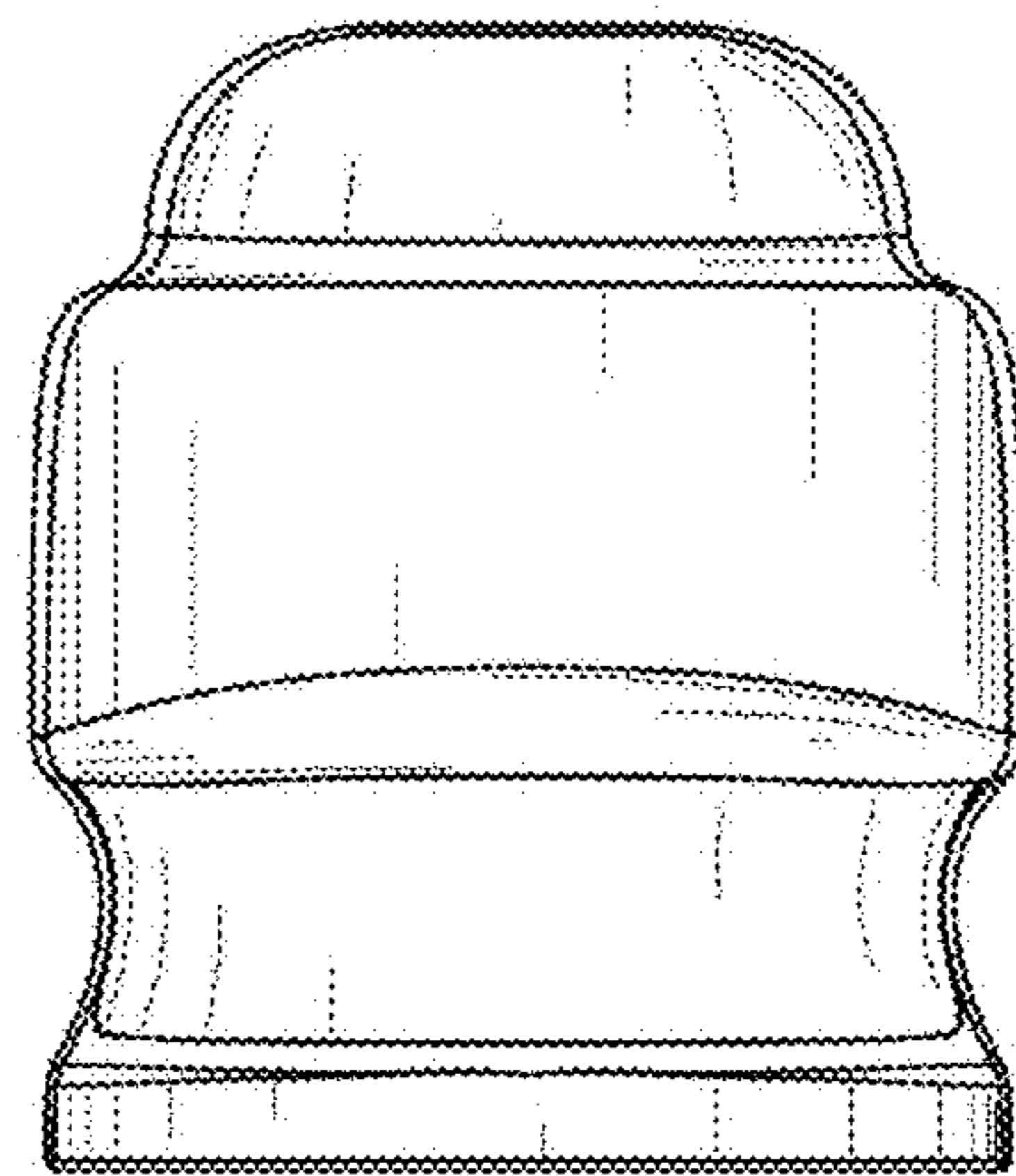
13



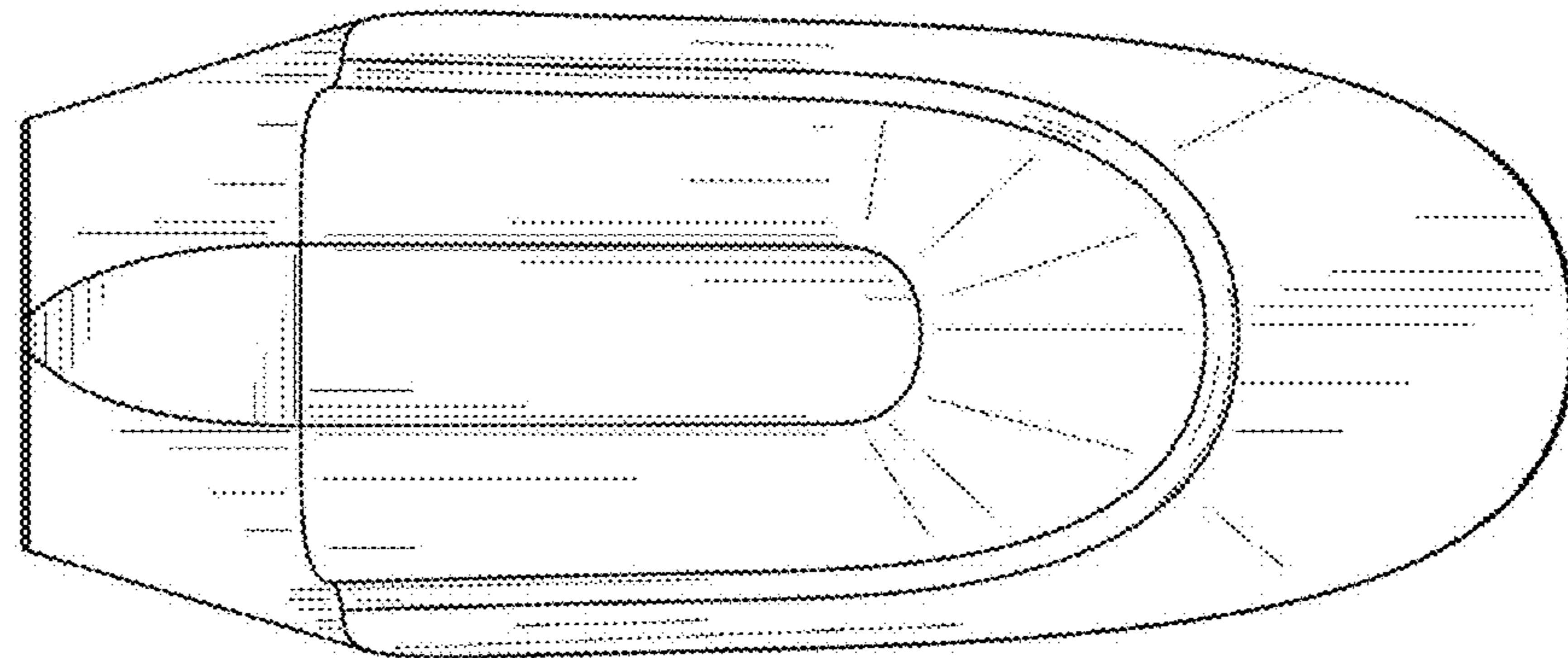
1.4



1.5



1.6



1.7

