



US00D946402S

(12) **United States Design Patent**
Pepe

(10) **Patent No.:** **US D946,402 S**

(45) **Date of Patent:** **** Mar. 22, 2022**

(54) **TRIGGER DISPENSER DEVICE**

(71) Applicant: **GUALA DISPENSING S.p.A.**,
Alessandria (IT)

(72) Inventor: **Marco Pepe**, Alessandria (IT)

(73) Assignee: **GUALA DISPENSING S.p.A.**,
Alessandria (IT)

(**) Term: **15 Years**

(21) Appl. No.: **35/510,148**

(22) Filed: **Aug. 5, 2020**

(80) **Hague Agreement Data**

Int. Filing Date: **Aug. 5, 2020**

Int. Reg. No.: **DM/209695**

Int. Reg. Date: **Aug. 5, 2020**

Int. Reg. Pub. Date: **Aug. 21, 2020**

(30) **Foreign Application Priority Data**

Apr. 17, 2020 (WO) WIPO94113

(51) **LOC (13) Cl.** **09-07**

(52) **U.S. Cl.**
USPC **D9/448**

(58) **Field of Classification Search**
USPC D23/226; D9/682-694, 695, 723, 724,
D9/729, 434, 435, 436, 439, 440, 448,
D9/449

CPC A47K 5/16; A47K 5/1205; A47K 5/1217;
A47K 5/14; B05B 7/065; B05B 11/3045;
B05B 11/3046; B05B 7/0037; B05B 1/02;
B05B 11/0029; B05B 11/3011; B05B
1/3436; A61M 11/02; A61M 11/006;
A61N 5/0603; B65D 1/00; B65D 1/02;
B65D 1/10; B65D 1/46; B65D 39/00;
B65D 39/0047; B65D 2585/56; B65D

2585/545; B65D 47/00; B65D 47/06;
B65D 47/08; B65D 41/00; B65D 41/38;
B65D 41/56; B65D 41/62; B65D 5/46;
A61J 1/00; A61J 1/1412

See application file for complete search history.

(56) **References Cited**

U.S. PATENT DOCUMENTS

D454,787	S	*	3/2002	Cummings	D9/448
D456,262	S	*	4/2002	Cummings	D9/448
D494,866	S	*	8/2004	Guala	D23/225
D521,864	S	*	5/2006	Cartoni	D9/448
D551,973	S	*	10/2007	Hildebrand	D9/448
D567,082	S	*	4/2008	Hildebrand	D9/448
D569,248	S	*	5/2008	Seum	D9/448
D569,249	S	*	5/2008	Seum	D9/448
7,757,968	B2	*	7/2010	Bistolfi	B05B 11/3033 239/333
D625,188	S	*	10/2010	Rech	D9/448
D873,662	S	*	1/2020	Tada	D9/448

* cited by examiner

Primary Examiner — Michael A. Pratt

(74) *Attorney, Agent, or Firm* — Thomas | Horstemeyer,
LLP

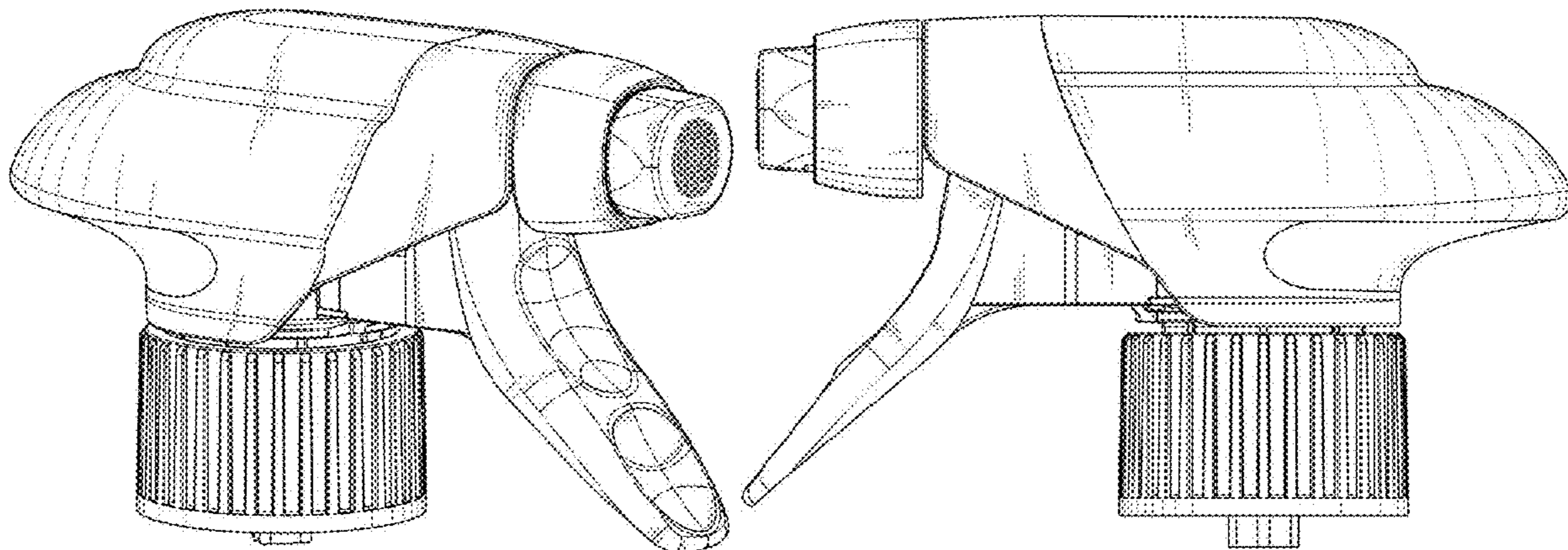
(57) **CLAIM**

The ornamental design for a trigger dispenser device, as shown and described.

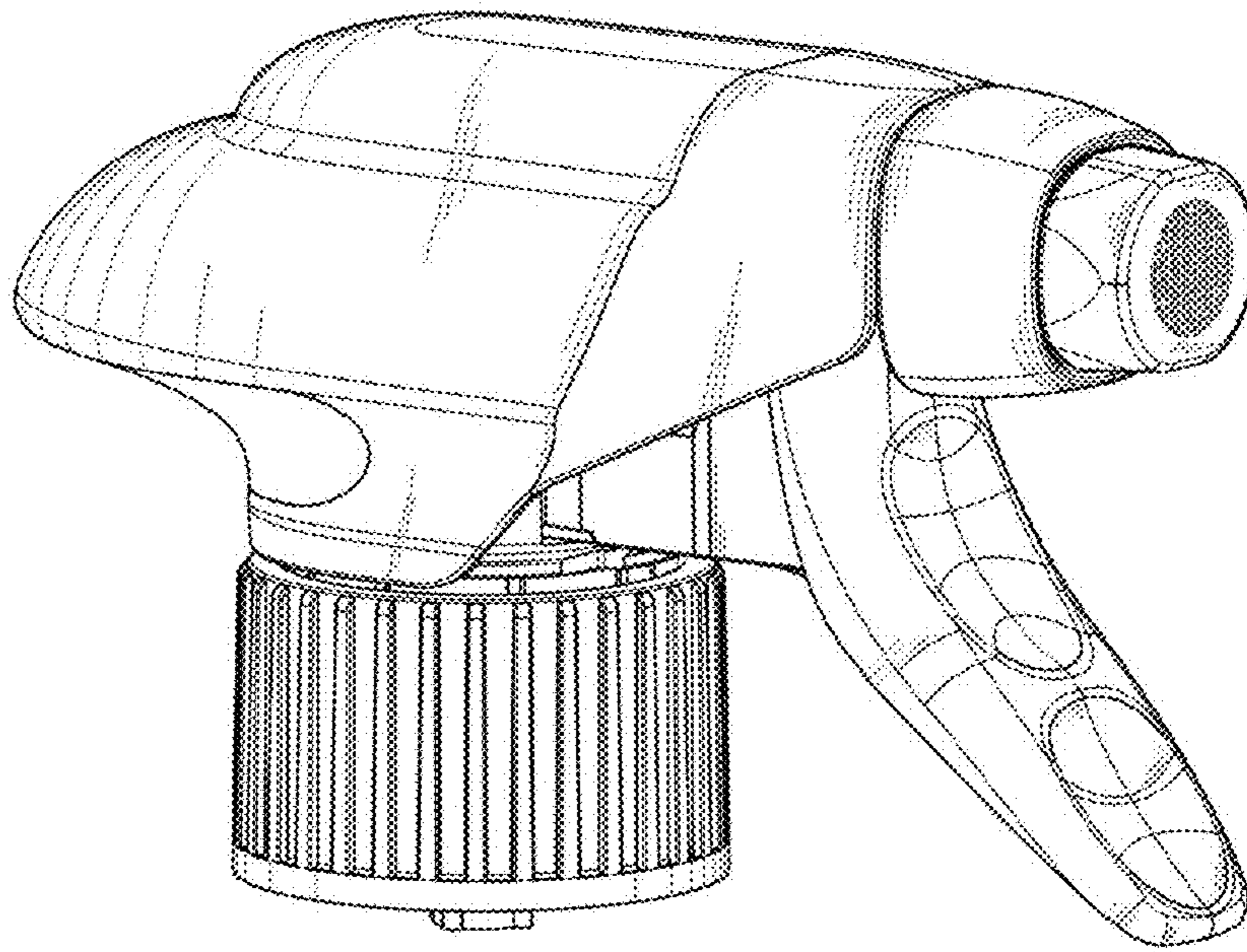
DESCRIPTION

- 1.1 is a front perspective view of the trigger dispenser device;
- 1.2 is a left view thereof;
- 1.3 is a right view thereof;
- 1.4 is a front view thereof;
- 1.5 is a rear view thereof; and
- 1.6 is a top view thereof.

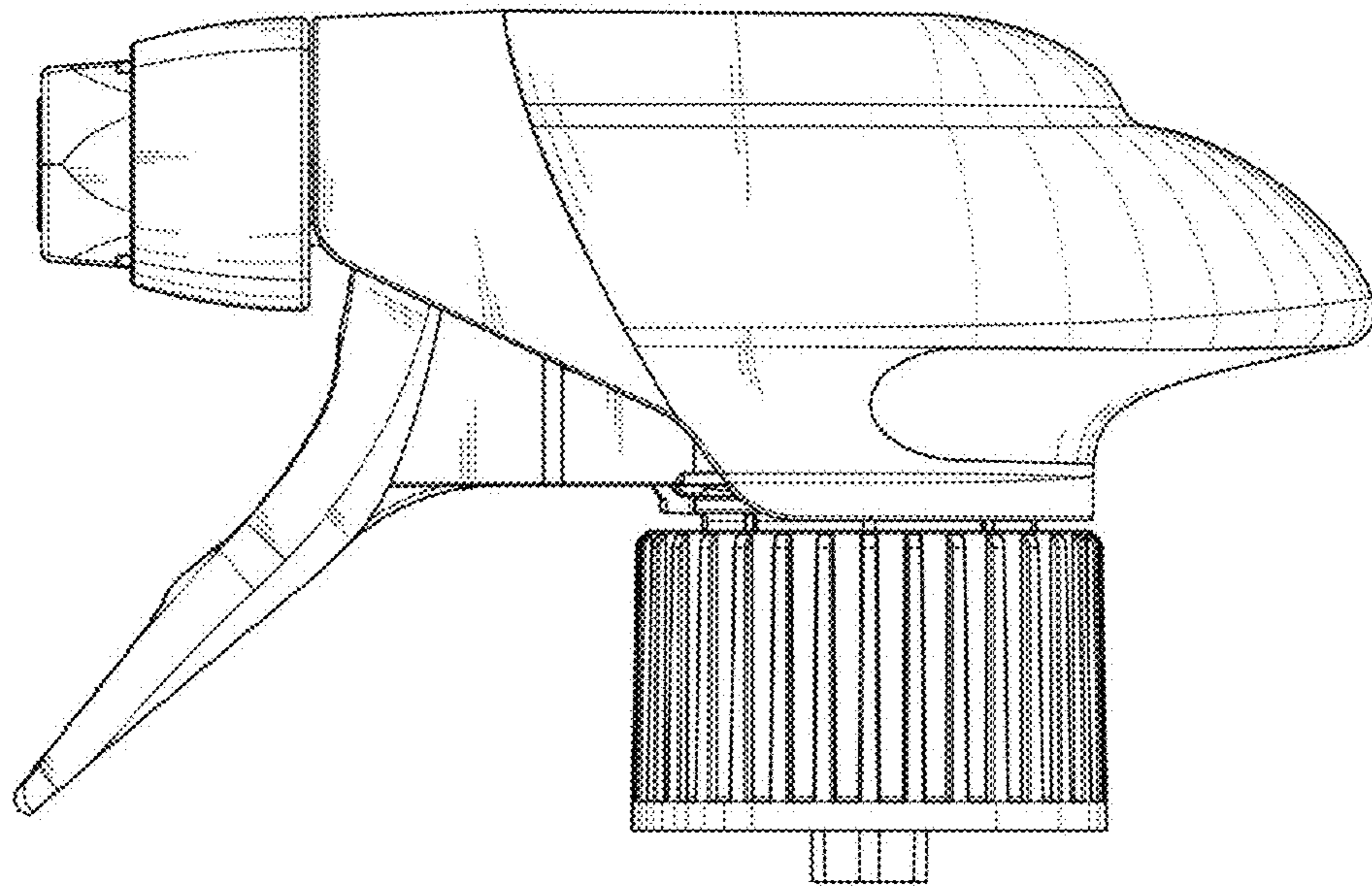
1 Claim, 6 Drawing Sheets



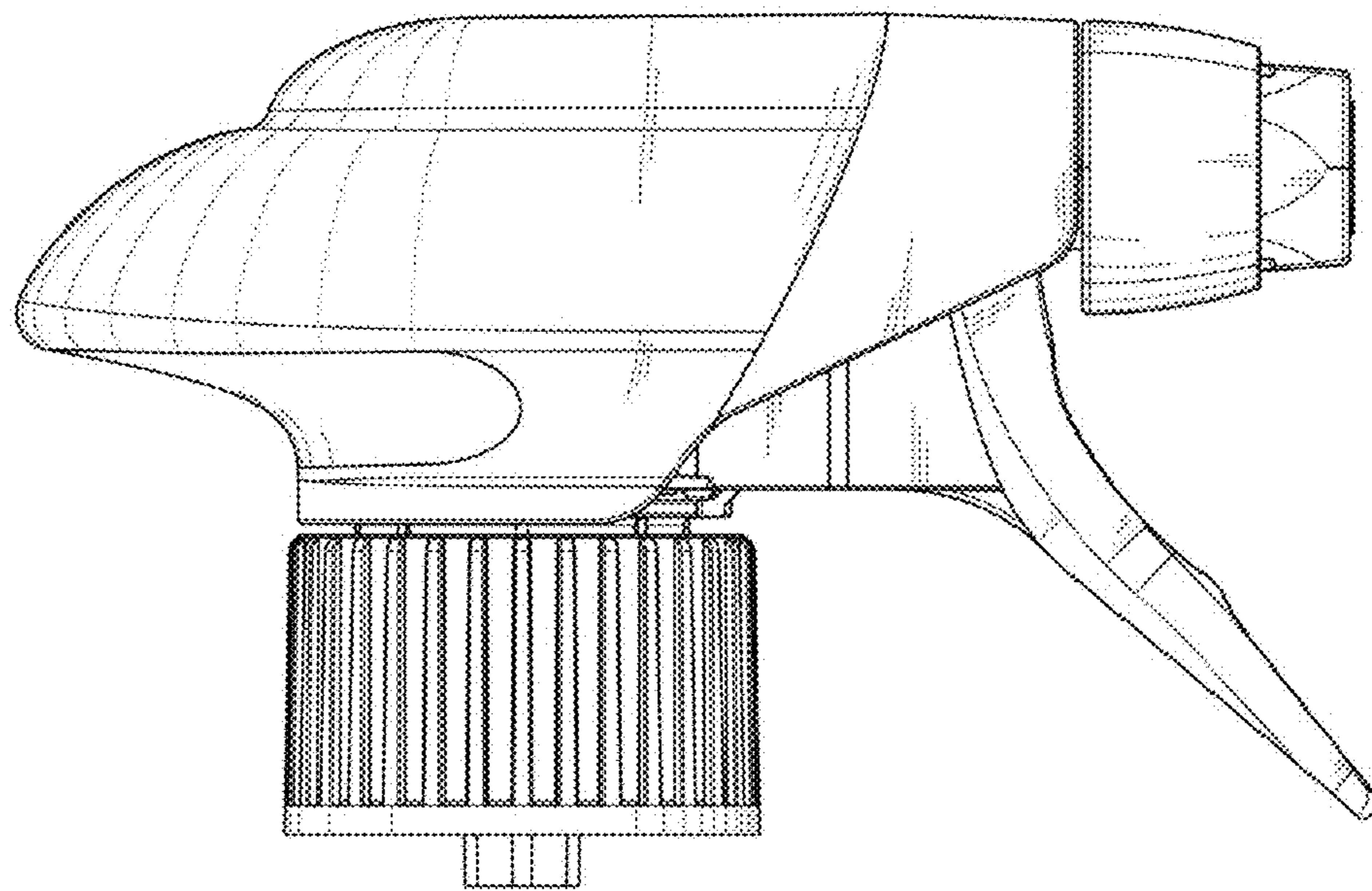
1.1



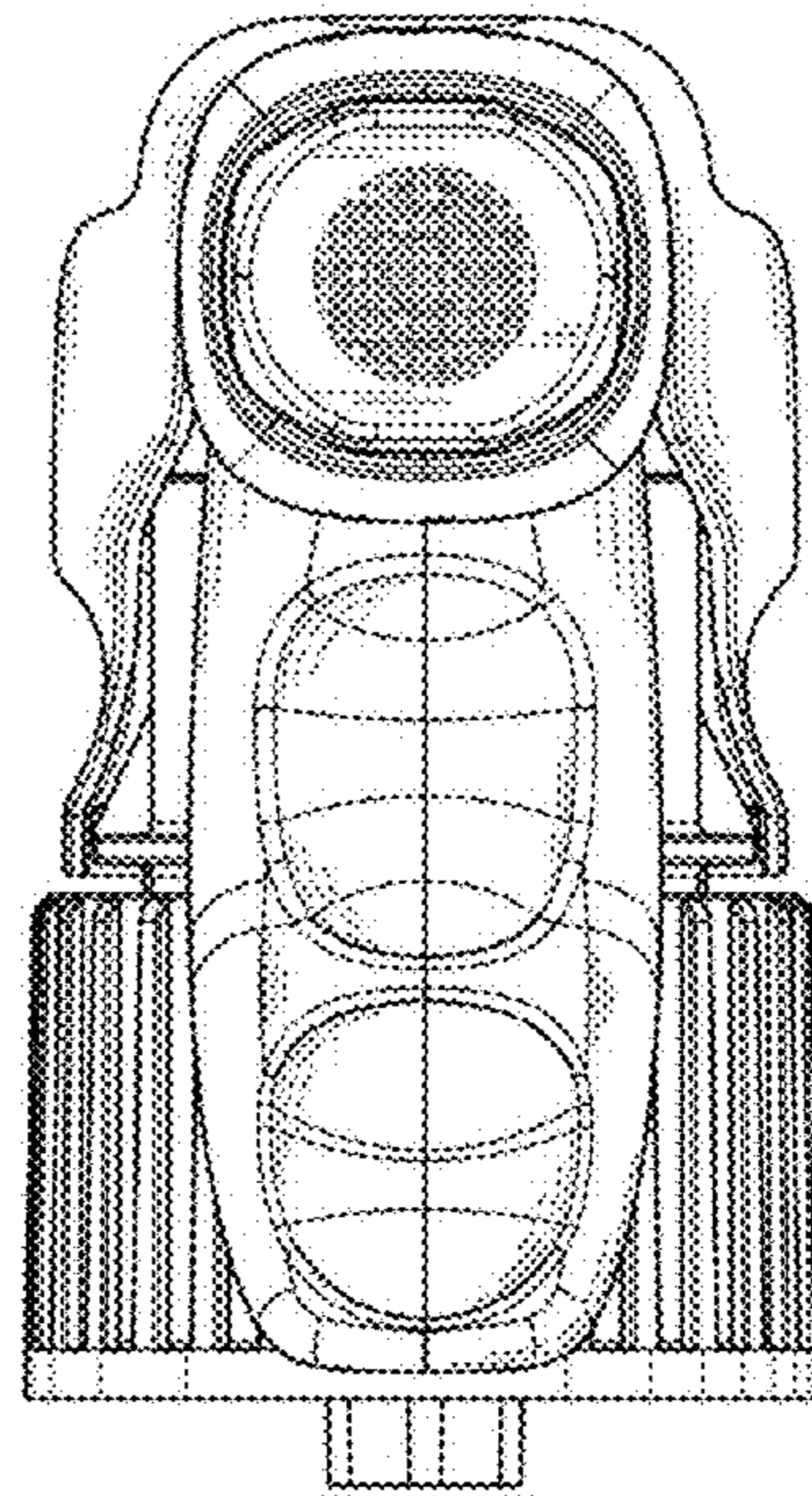
1.2



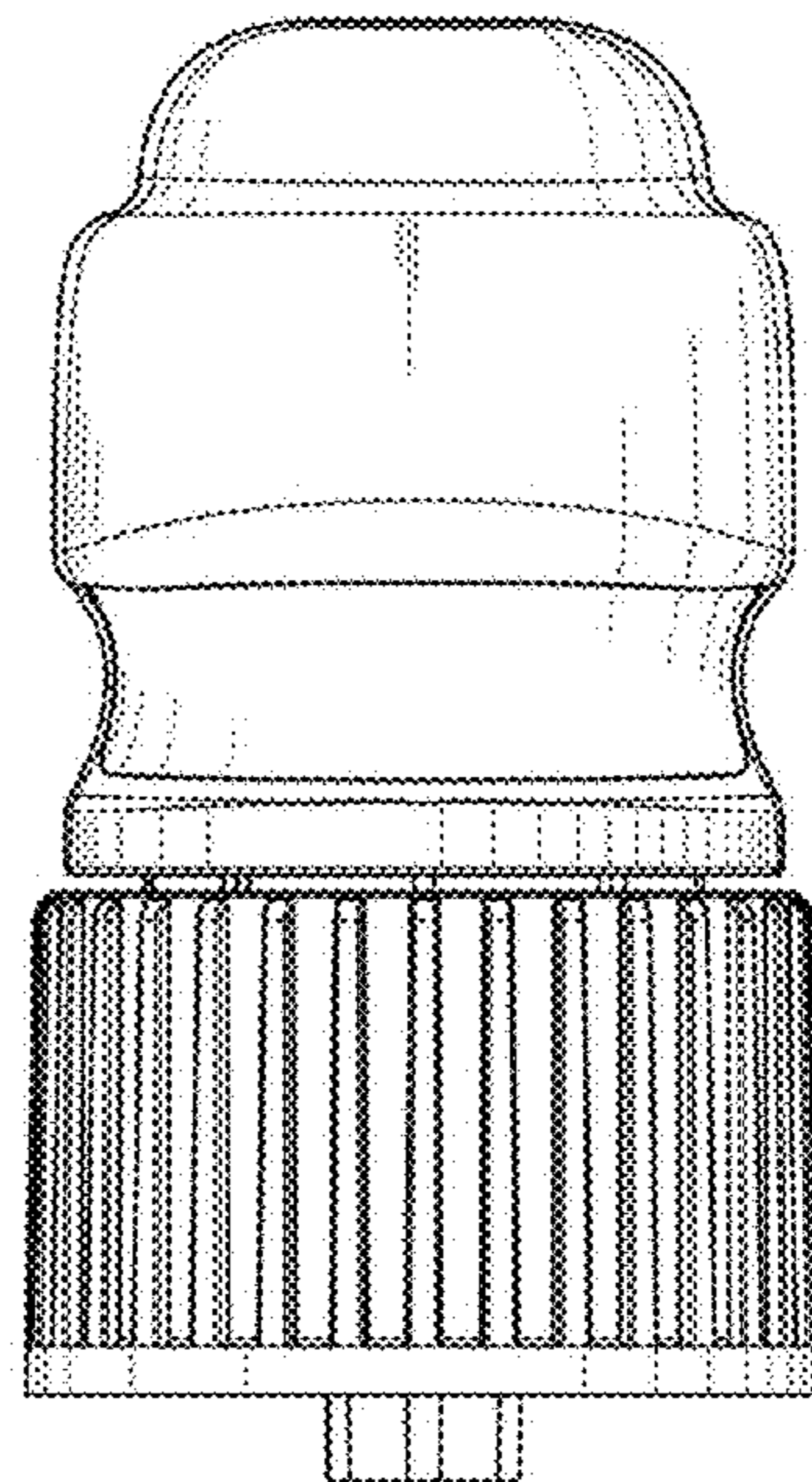
1.3



1.4



1.5



1.6

