

US00D946400S

(12) **United States Design Patent**  
**Marantis et al.**

(10) **Patent No.:** **US D946,400 S**  
(45) **Date of Patent:** **\*\* Mar. 22, 2022**

(54) **FUNNEL**

(71) Applicant: **CORNERSTONE CM, INC.**, Poland, OH (US)

(72) Inventors: **Michael G. Marantis**, Poland, OH (US); **Richard A. Ponton**, New Milford, CT (US); **Joshua W. Hubbard**, New Milford, CT (US); **Jonathan P. Richards**, Derby, CT (US)

(73) Assignee: **CSCM Management Company LLC**, Poland, OH (US)

(\*\*) Term: **15 Years**

(21) Appl. No.: **29/788,772**

(22) Filed: **Jul. 27, 2021**

D9/446, 447, 454; D23/209, 233, 238, D23/259, 260, 261; D26/22, 23, 9.22; D34/7, 10, 11; D8/349, 354, 375  
CPC ... B01L 3/50825; B01L 9/00; B65D 81/2038; B65D 81/20; A61J 1/1418; A61J 1/14; A61J 1/1406; A61J 1/1412; A61M 1/0001; A61M 1/0003; A61M 1/0011; B65B 31/00; B65B 55/10; B67C 11/02  
See application file for complete search history.

(56) **References Cited**

U.S. PATENT DOCUMENTS

1,189,465 A	7/1916	Mayo	
D120,464 S *	5/1940	Martin	D9/434
D126,200 S *	4/1941	Eisenberg	D9/434
2,276,421 A	3/1942	Colin	

(Continued)

OTHER PUBLICATIONS

Chrome://history/?q=Funnel.\*

(Continued)

*Primary Examiner* — Catherine S Posthauer

(74) *Attorney, Agent, or Firm* — Tucker Ellis LLP

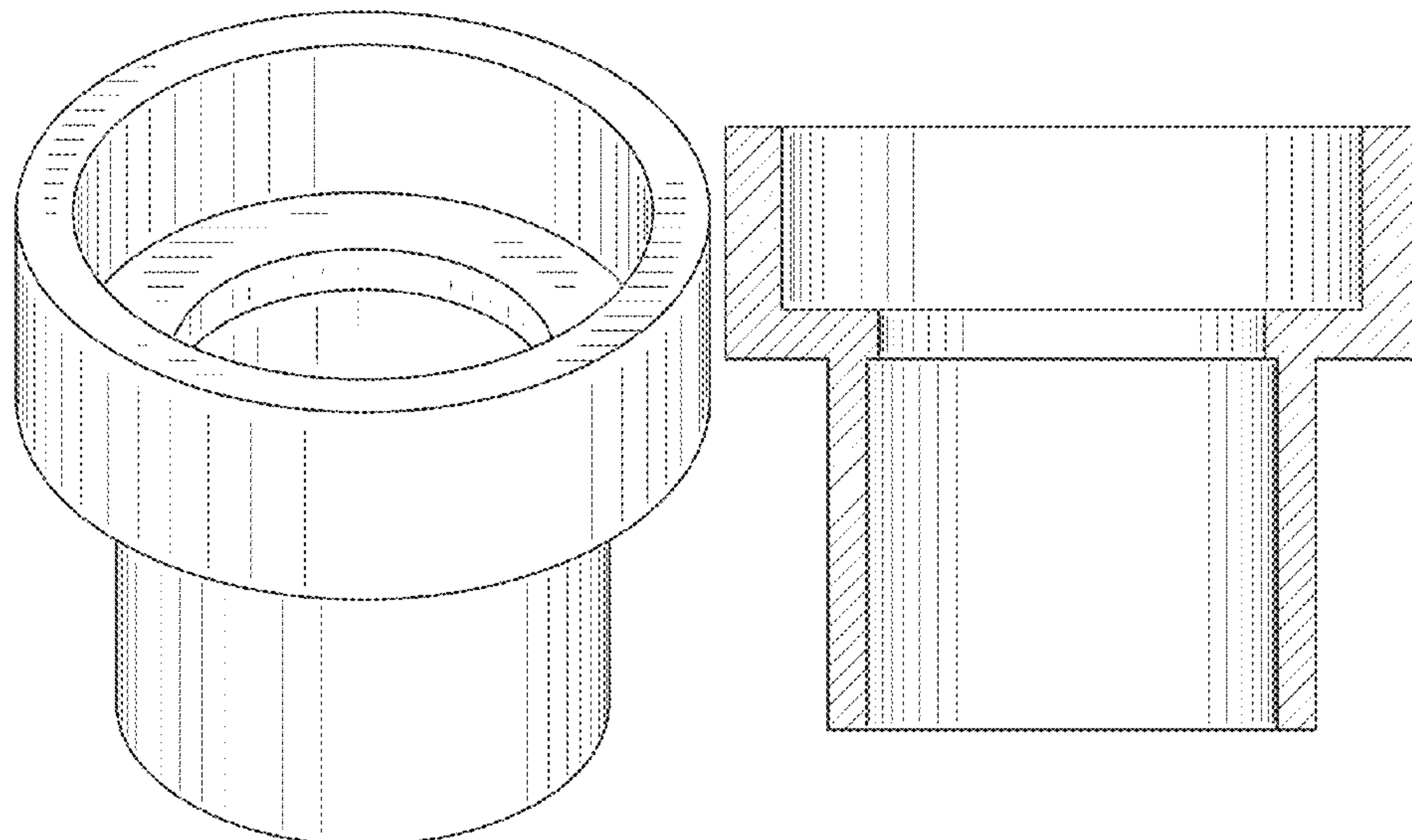
(57) **CLAIM**

The ornamental design for a funnel, as shown and described.

**DESCRIPTION**

FIG. 1 is a top perspective view of a funnel showing our new design;  
FIG. 2 is a bottom perspective view thereof;  
FIG. 3 is a top view thereof;  
FIG. 4 is a bottom view thereof;  
FIG. 5 is a left side view, the right side view being a mirror image thereof; and,  
FIG. 6 is a sectional view as seen along line 6-6 of FIG. 5.

**1 Claim, 3 Drawing Sheets**



**Related U.S. Application Data**

(63) Continuation of application No. 29/762,912, filed on Dec. 18, 2020, now Pat. No. Des. 926,572, which is a continuation of application No. 29/700,104, filed on Jul. 31, 2019, now Pat. No. Des. 908,486, which is a continuation of application No. 29/625,282, filed on Nov. 8, 2017, now Pat. No. Des. 859,986, which is a continuation of application No. 29/570,107, filed on Jul. 5, 2016, now Pat. No. Des. 805,899, which is a continuation of application No. 14/540,477, filed on Nov. 13, 2014, now Pat. No. 9,517,922, which is a continuation-in-part of application No. 29/509,028, filed on Nov. 13, 2014, now Pat. No. Des. 763,691.

(51) **LOC (13) Cl.** ..... **09-07**

(52) **U.S. Cl.**  
USPC ..... **D9/439**

(58) **Field of Classification Search**  
USPC ..... D3/12, 16, 17; D7/393, 394, 396, 397, D7/398, 387, 391, 392.1, 396.1, 396.2, D7/401.1, 402, 507, 511, 538, 388; D9/434, 435, 436, 438, 439, 440, 445,



(56)

References Cited

U.S. PATENT DOCUMENTS

D148,078 S	12/1947	Lelong	
2,911,123 A	11/1959	Saccomanno	
3,088,615 A	5/1963	Wheaton	
3,136,440 A *	6/1964	Krug	B65D 51/002 215/247
D216,386 S *	12/1969	Suggs	D9/434
D216,678 S *	3/1970	Wilcox	D9/439
D217,580 S	6/1970	Nelson et al.	
D217,850 S	6/1970	Nelson	
D225,725 S	1/1973	Pettingill	
D229,824 S *	1/1974	Erickson	D9/434
D230,013 S *	1/1974	Emerson	D9/434
3,965,902 A	6/1976	Kelly	
4,376,439 A	3/1983	Lauterjung	
D297,799 S *	9/1988	Hammer	D7/507
D303,194 S *	9/1989	Darby	D7/507
D307,115 S *	4/1990	Waymack	D9/447
D328,033 S	7/1992	DiGuseppi	
D328,252 S *	7/1992	Miyake	D24/224
D328,405 S *	8/1992	Heiligenstein	D7/400
5,186,358 A	2/1993	McVay	
5,188,622 A	2/1993	Muller	
D336,042 S *	6/1993	Bondanza	D9/435
D349,648 S	8/1994	Tirrell	
D359,683 S	6/1995	Beach	
D362,188 S	9/1995	Van Dyk	
D370,629 S *	6/1996	Lynch	D9/439
D371,513 S *	7/1996	Scudder	D9/434
D374,376 S	10/1996	Goins	
D375,264 S	11/1996	Galarza	
D377,031 S *	12/1996	Didier	D15/150
D385,956 S *	11/1997	Doughty	D23/259
5,762,120 A *	6/1998	Smith	B65B 39/00 141/331
D400,429 S	11/1998	Morita	
D402,354 S *	12/1998	Strong	D23/259
5,845,797 A	12/1998	Sudo	
5,895,383 A	4/1999	Niedospial, Jr.	
5,902,298 A	5/1999	Niedospial, Jr.	
5,921,419 A	7/1999	Niedospial, Jr.	
5,960,837 A	10/1999	Cude	
5,971,181 A	10/1999	Neidospial, Jr.	
D424,167 S *	5/2000	Yuen	D23/233
D428,339 S	7/2000	Johnson et al.	
D448,812 S	10/2001	Vong et al.	
D453,472 S *	2/2002	Kwong	D9/447
D470,050 S *	2/2003	Renz	D7/396.2
D472,471 S	4/2003	McClure	
D480,632 S	10/2003	Williams	
D480,639 S	10/2003	Ciavarella	
D480,959 S	10/2003	Dewood	
D489,992 S	5/2004	Brauner	
D513,384 S	1/2006	Perry	
6,981,602 B2	1/2006	Ma	
D520,363 S	5/2006	Perez	
7,048,724 B2	5/2006	Grossman	
D528,192 S	9/2006	Nicholson	
7,153,294 B1	12/2006	Farrow	
7,178,683 B2	2/2007	Birkmayer	
D553,717 S	10/2007	Nicholson	
D564,879 S	3/2008	Baughman	
D587,580 S	3/2009	Kane	
D604,120 S	11/2009	Curtin	
D608,141 S *	1/2010	Sanders	D7/398
D613,166 S	4/2010	Bentley	
D619,003 S	7/2010	Benoit-Gonin	
D619,004 S	7/2010	Fallat	
D620,362 S	7/2010	Boukobza	
D620,758 S	8/2010	Smiedt et al.	
7,799,009 B2	9/2010	Niedospial, Jr.	
7,874,441 B2	1/2011	Bloom	
D632,958 S	2/2011	Fuchs	
D634,200 S	3/2011	Taber	
D634,633 S	3/2011	Moreau	
D642,471 S	8/2011	White et al.	
D644,064 S *	8/2011	DuBois	D7/507
D644,104 S	8/2011	Maeda et al.	
D645,351 S	9/2011	McMillan et al.	
D646,762 S	10/2011	Terry et al.	
D671,406 S *	11/2012	Sawicki	D9/434
D673,852 S	1/2013	Wood	
D673,854 S	1/2013	James	
D679,169 S	4/2013	Else	
D679,170 S	4/2013	Else	
D680,369 S	4/2013	Starks	
D682,610 S	5/2013	Carder	
D682,700 S	5/2013	White et al.	
D682,994 S *	5/2013	Schulz	D23/259
D686,339 S	7/2013	Shima	
8,495,854 B2	7/2013	Seidita	
D688,128 S	8/2013	Krause	
D688,129 S	8/2013	Krause	
D694,110 S	11/2013	Tanner	
D700,473 S	3/2014	Duvigneau et al.	
D701,459 S	3/2014	Ghosh et al.	
8,695,821 B2	4/2014	Bashyam	
D708,945 S	7/2014	Jetmar	
D715,146 S *	10/2014	Holmes	D9/447
D716,653 S	11/2014	Balembois	
D723,370 S	3/2015	Medlin	
D723,919 S	3/2015	Taber	
D727,152 S	4/2015	Yaseen	
D729,063 S	5/2015	Koop	
D731,312 S	6/2015	Shimizu	
D733,493 S	7/2015	Barberi	
D736,625 S	8/2015	Laureano	
D736,646 S	8/2015	Andersson et al.	
D740,120 S	10/2015	El Ghouyel	
D741,502 S *	10/2015	Gomez	D24/215
D746,687 S	1/2016	Yourist	
D753,489 S *	4/2016	Shaw	D9/454
D754,542 S *	4/2016	Shaw	D9/454
D757,547 S *	5/2016	Biswas	D9/454
D758,853 S *	6/2016	Seeuwen	D9/439
D762,825 S *	8/2016	Walker	D23/259
D763,090 S	8/2016	Zeng et al.	
D763,091 S	8/2016	Zeng et al.	
D763,685 S	8/2016	Arriaga	
D763,691 S *	8/2016	Marantis	D9/454
D764,920 S	8/2016	Maranris et al.	
D766,844 S	9/2016	Turksu et al.	
D768,489 S	10/2016	Indruk	
D772,025 S *	11/2016	Salzl	D7/700
D780,574 S *	3/2017	Seeuwen	D9/439
D788,886 S *	6/2017	Salzer	D23/259
D799,895 S *	10/2017	Westrick	D7/398
D799,939 S *	10/2017	Lowitz	D8/354
D803,045 S	11/2017	Ploeger	
D803,046 S	11/2017	Ploeger	
D803,048 S	11/2017	Ploeger	
D803,049 S	11/2017	Ploeger	
D804,311 S *	12/2017	Ruprecht	D9/434
D804,945 S	12/2017	Ploeger	
D805,899 S	12/2017	Marantis et al.	
D808,248 S *	1/2018	Krombein	D8/354
D812,577 S	3/2018	Turksu et al.	
D823,115 S *	7/2018	Walker	D9/447
D826,046 S *	8/2018	Niles	D9/439
D840,820 S *	2/2019	Hwang	D9/456
D857,179 S *	8/2019	Thompson	D23/259
D859,986 S	9/2019	Marantis et al.	
D865,685 S	11/2019	Adenau	
D867,132 S *	11/2019	Callaars	D9/439
D872,528 S *	1/2020	Hsu	D7/398
D876,186 S *	2/2020	Marantis	D7/700
D896,351 S *	9/2020	Banks, III	D23/262
D907,438 S *	1/2021	Sakamoto	D7/507
2003/0208165 A1	11/2003	Christensen	
2004/0156915 A1	8/2004	Harman et al.	
2006/0000793 A1	1/2006	Mavin	
2008/0190948 A1	8/2008	Sayasithsena	
2010/0270260 A1	10/2010	Jung	
2011/0005622 A1 *	1/2011	Boeckeler	A61J 1/1406 137/581

(56)

**References Cited**

## U.S. PATENT DOCUMENTS

2011/0114593 A1 5/2011 Ishii  
2012/0308448 A1\* 12/2012 Wong ..... B01L 3/50825  
422/558  
2013/0270143 A1 10/2013 Muscato  
2016/0054049 A1 2/2016 Harvie  
2016/0136048 A1 5/2016 Marantis  
2016/0137474 A1 5/2016 Marantis  
2016/0338912 A1 11/2016 Oberlin et al.  
2018/0086543 A1 3/2018 Van Why  
2019/0062010 A1\* 2/2019 Apte ..... B65D 39/04

## OTHER PUBLICATIONS

Clear Glass Lamp Bulb Shape Bottle with Screw Cap Tin Lid, posted on alibaba.com, no posted date given, no production date given, [online], [site visited Dec. 30, 2016], Available from internet, <URL: [https://www.alibaba.com/product-detail/clear-glass-lamp-bulb-shape-bottle\\_60183128242.html](https://www.alibaba.com/product-detail/clear-glass-lamp-bulb-shape-bottle_60183128242.html)>.

Tinksky, 400ml Tea Water Cup Bottle—Light Bulb Shaped, posted on amazon.com, no posted date given, no production date given, [online], [site visited Dec. 30, 2016], Available from internet, <URL: <https://www.amazon.com/Tinksky-400ML-Tea-Water-Bottle/dp/B01FDA7C7K>>.

Bobble Active Filtering Water Bottle Hands-On, posted on gadgetmac.com, posted Sep. 1, 2012, no production date given, [online], [site visited Dec. 30, 2016], Available from internet, <URL: <http://gadgetmac.com/alt/bobble-active-filtering-water-bottle-hands-on.html>>.

\* cited by examiner

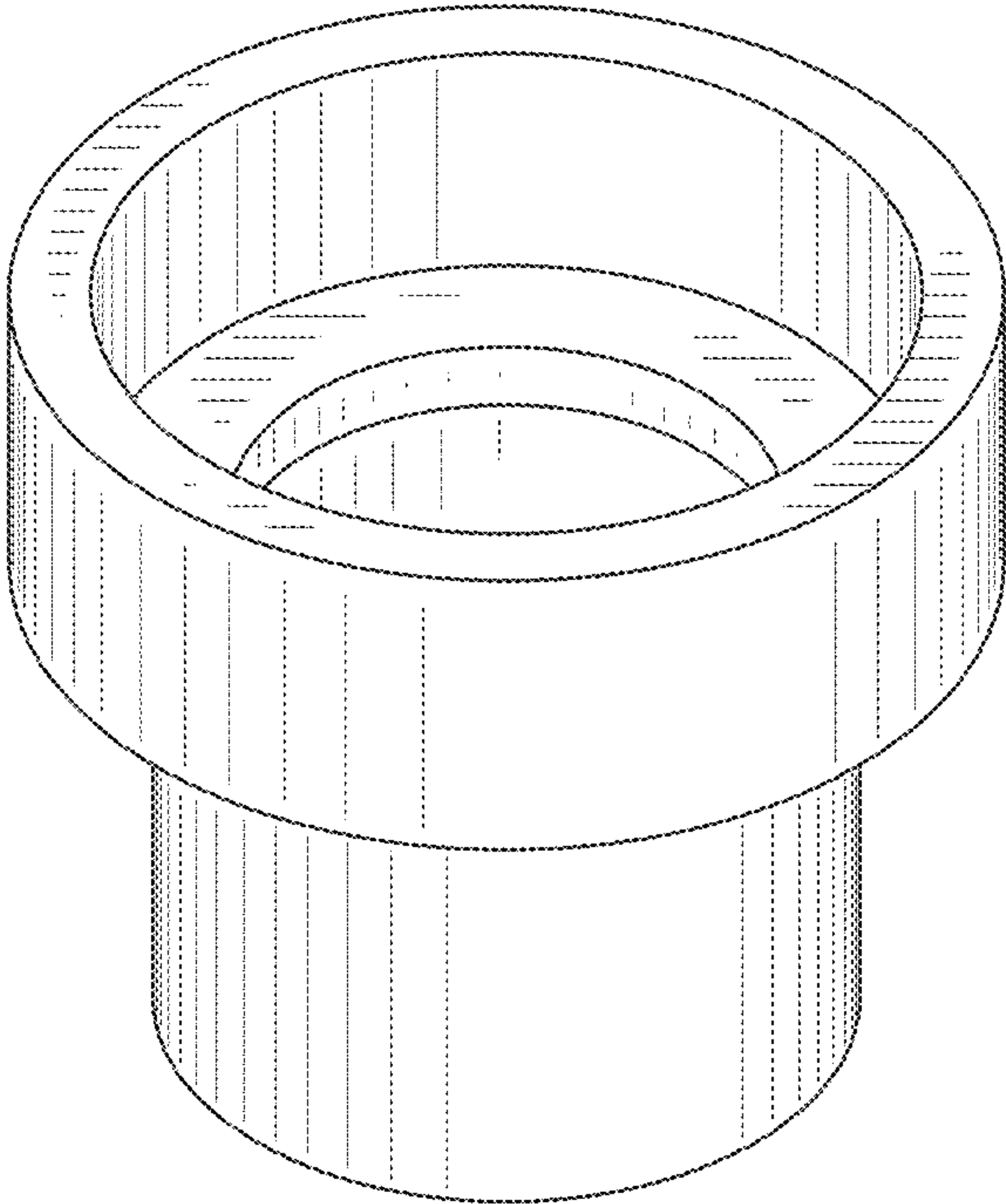


FIG. 1

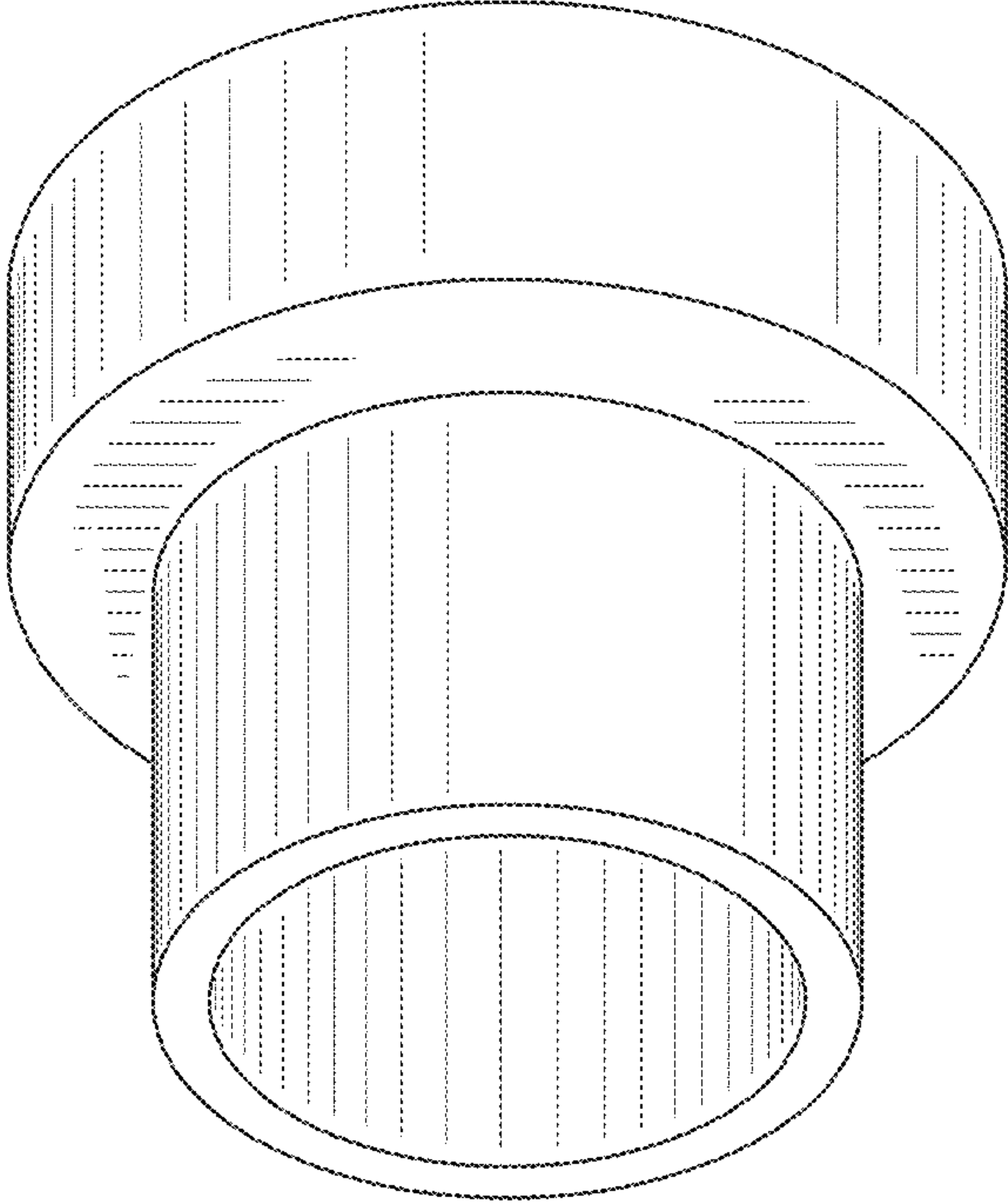


FIG. 2



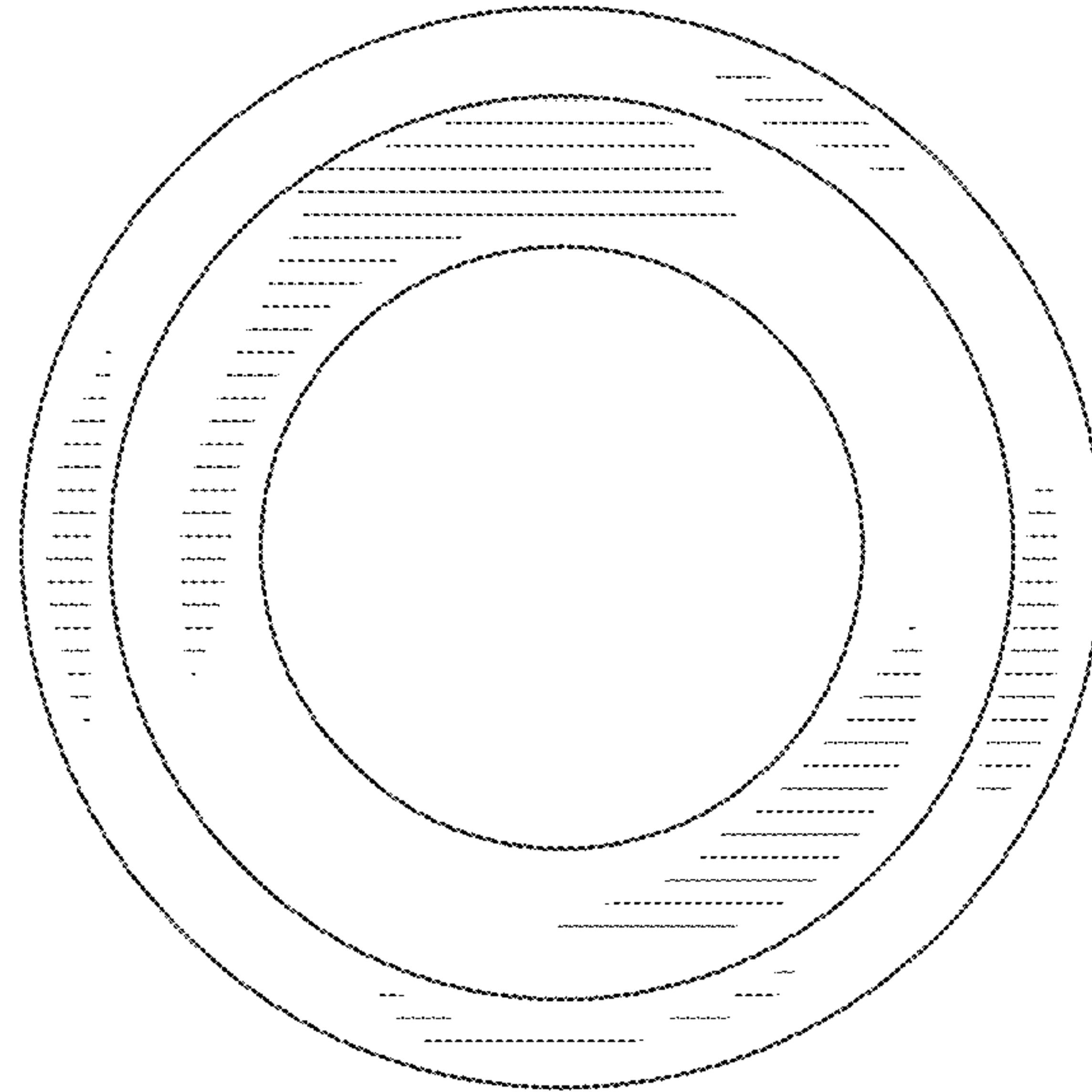


FIG. 3

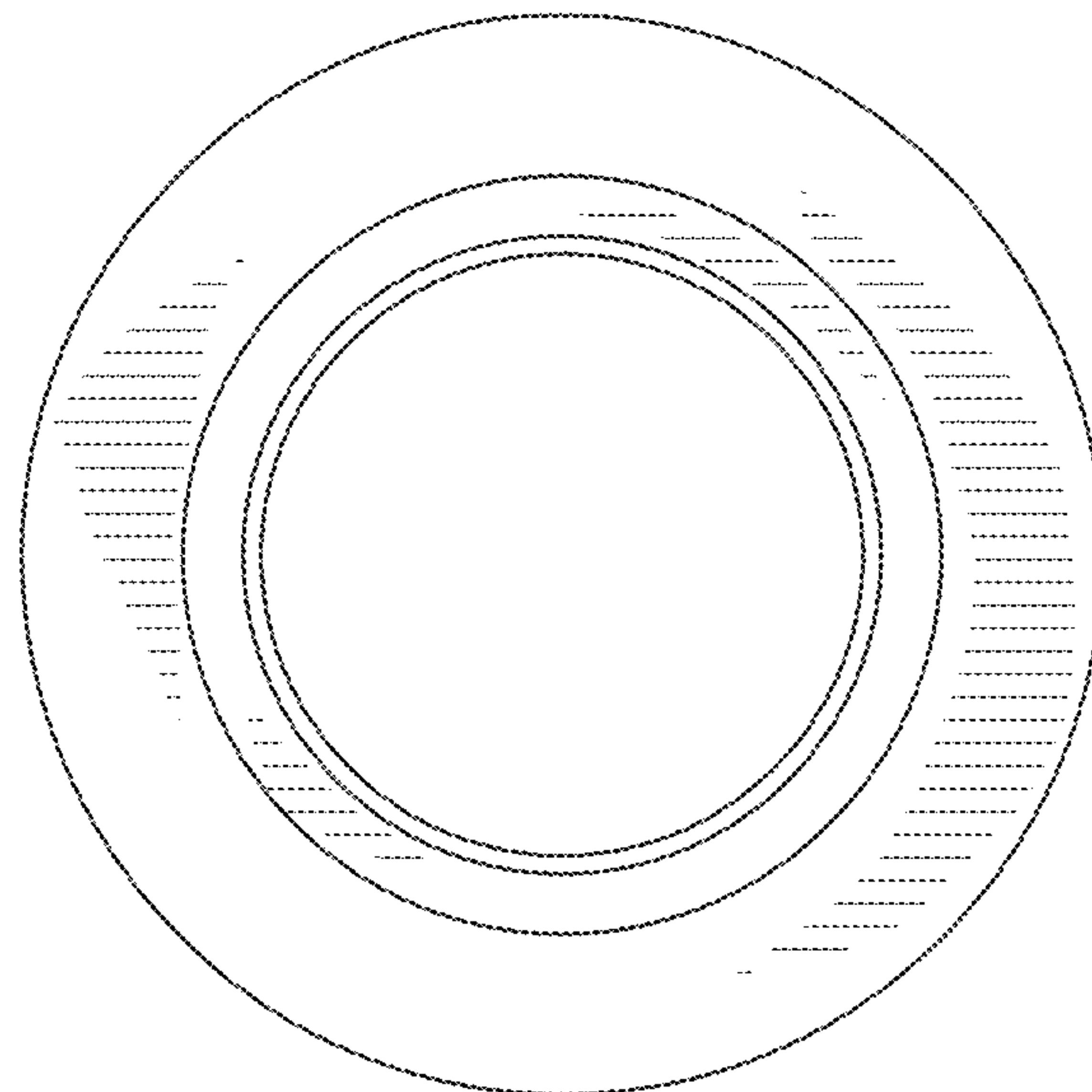


FIG. 4

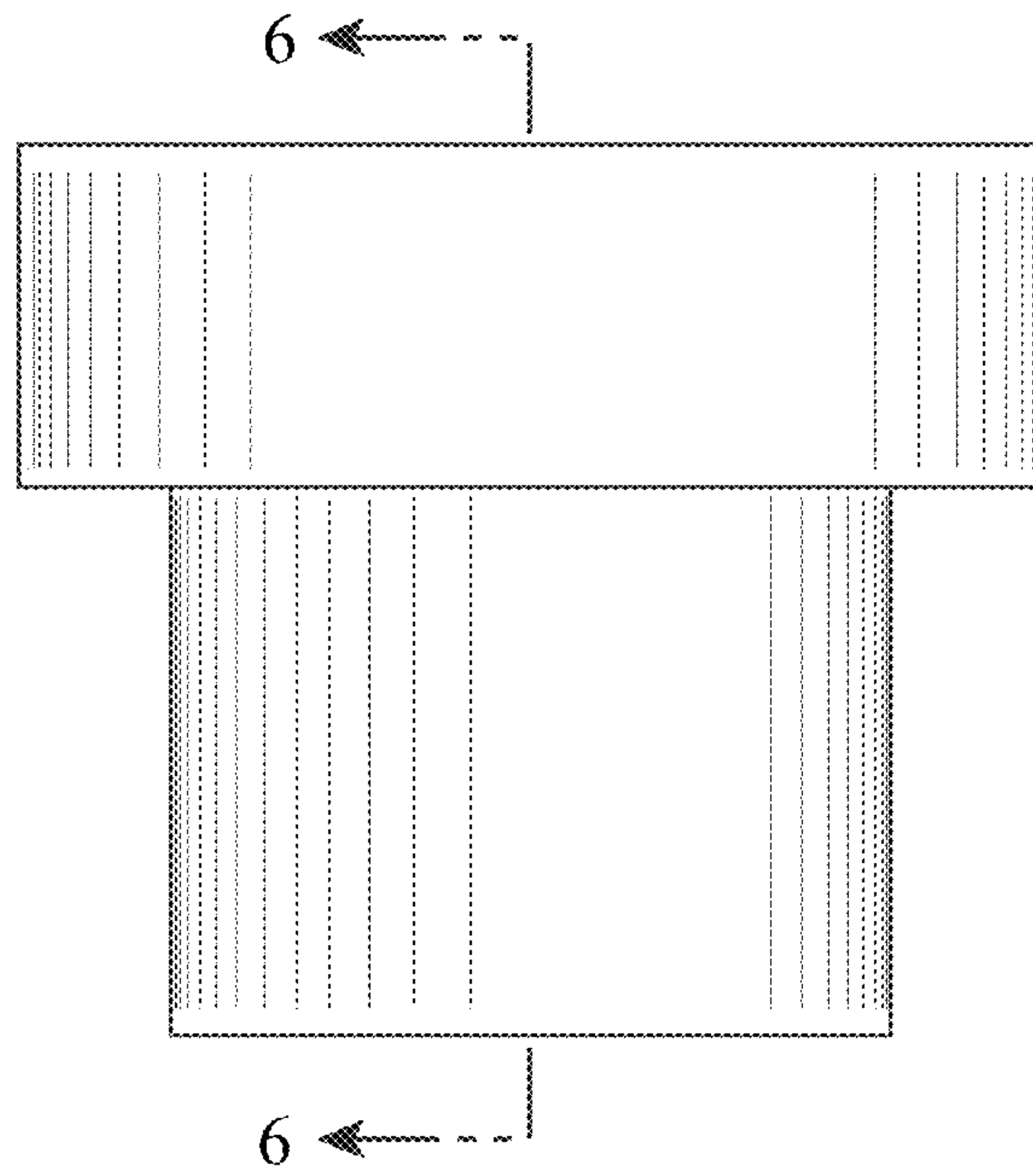


FIG. 5

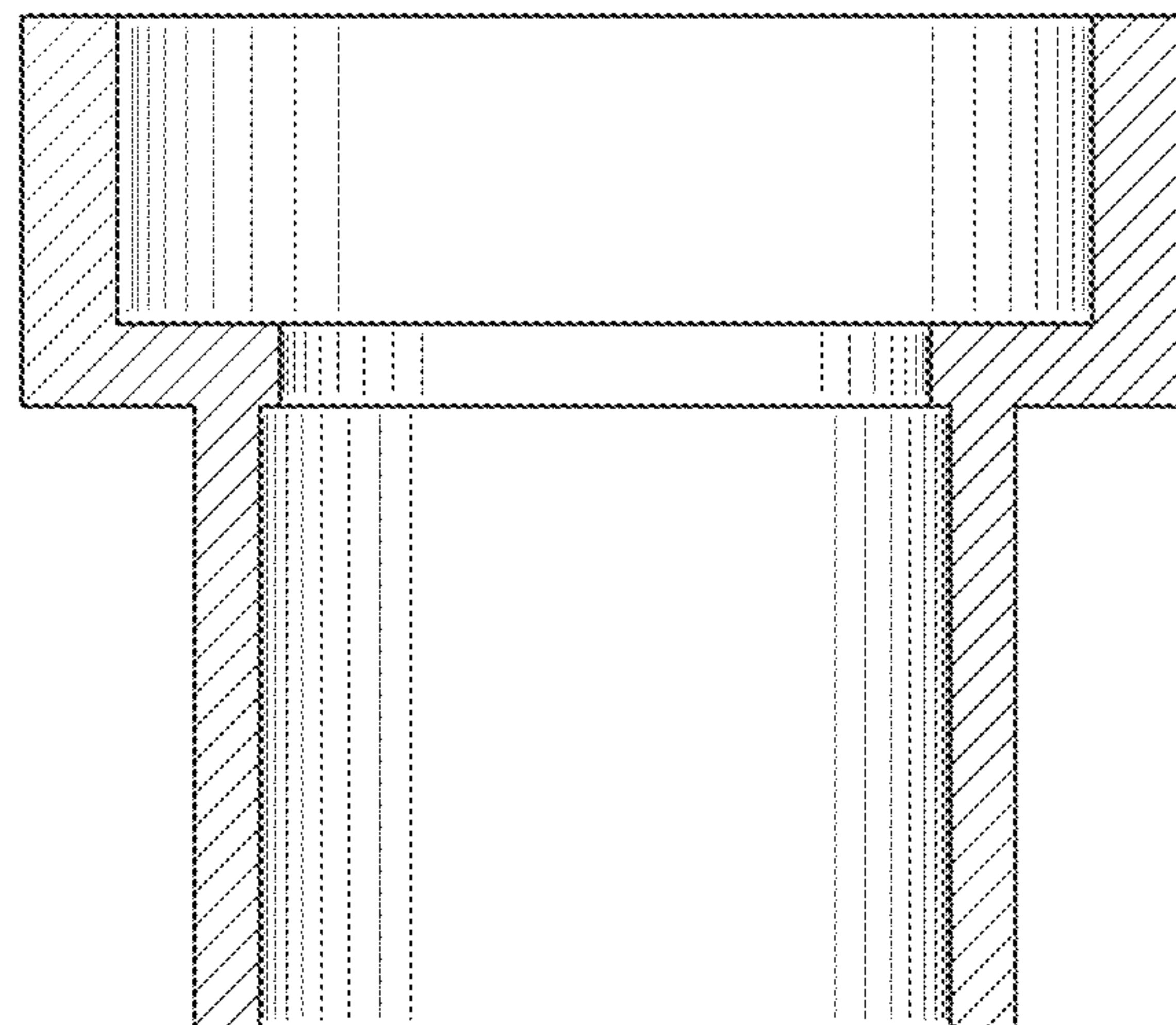


FIG. 6