

US00D946398S

(12) **United States Design Patent**
Sevšek et al.

(10) **Patent No.:** **US D946,398 S**
(45) **Date of Patent:** **** Mar. 22, 2022**

(54) **PACKAGING BOX FOR STORAGE**

(71) Applicants: **Sašo Sevšek**, Borovnica (SI); **Frigyes Borbély**, Oberursel (DE)

(72) Inventors: **Sašo Sevšek**, Borovnica (SI); **Frigyes Borbély**, Oberursel (DE)

(**) Term: **15 Years**

(21) Appl. No.: **35/510,633**

(22) Filed: **Jun. 19, 2020**

(80) **Hague Agreement Data**

Int. Filing Date: **Jun. 19, 2020**

Int. Reg. No.: **DM/210880**

Int. Reg. Date: **Jun. 19, 2020**

Int. Reg. Pub. Date: **Oct. 30, 2020**

(51) **LOC (13) Cl.** **09-03**

(52) **U.S. Cl.**
USPC **D9/432**

(58) **Field of Classification Search**

USPC D9/414, 430, 432, 433, 456, 737, 742,
D9/744, 749, 755, 760

CPC B65D 1/34; B65D 2571/0066;
B65D 81/025; B65D 71/0003; B65D
71/42; B31B 2100/00; B31B 50/00

See application file for complete search history.

(56) **References Cited**

U.S. PATENT DOCUMENTS

D505,336 S * 5/2005 Schuster D9/433
D915,677 S * 4/2021 Pan D28/83

D918,714 S * 5/2021 Blomberg D9/432
2002/0193219 A1 * 12/2002 Okamoto B31B 50/00
493/79
2017/0253364 A1 * 9/2017 Ayerst B65D 5/62

* cited by examiner

Primary Examiner — Michael A. Pratt

(57) **CLAIM**

The ornamental design for packaging box for storage, as shown and described.

DESCRIPTION

The patent or application file contains at least one drawing executed in color. Copies of this patent or patent application publication with color drawing(s) will be provided by the Office upon request and payment of the necessary fee.

1.-2. Packaging box for storage

1.1 : Perspective

1.2 : Perspective

1.3 : Front and back view

1.4 : Right and left side view

1.5 : Top

1.6 : Perspective

2.1 : Perspective

2.2 : Perspective

2.3 : Front and back view

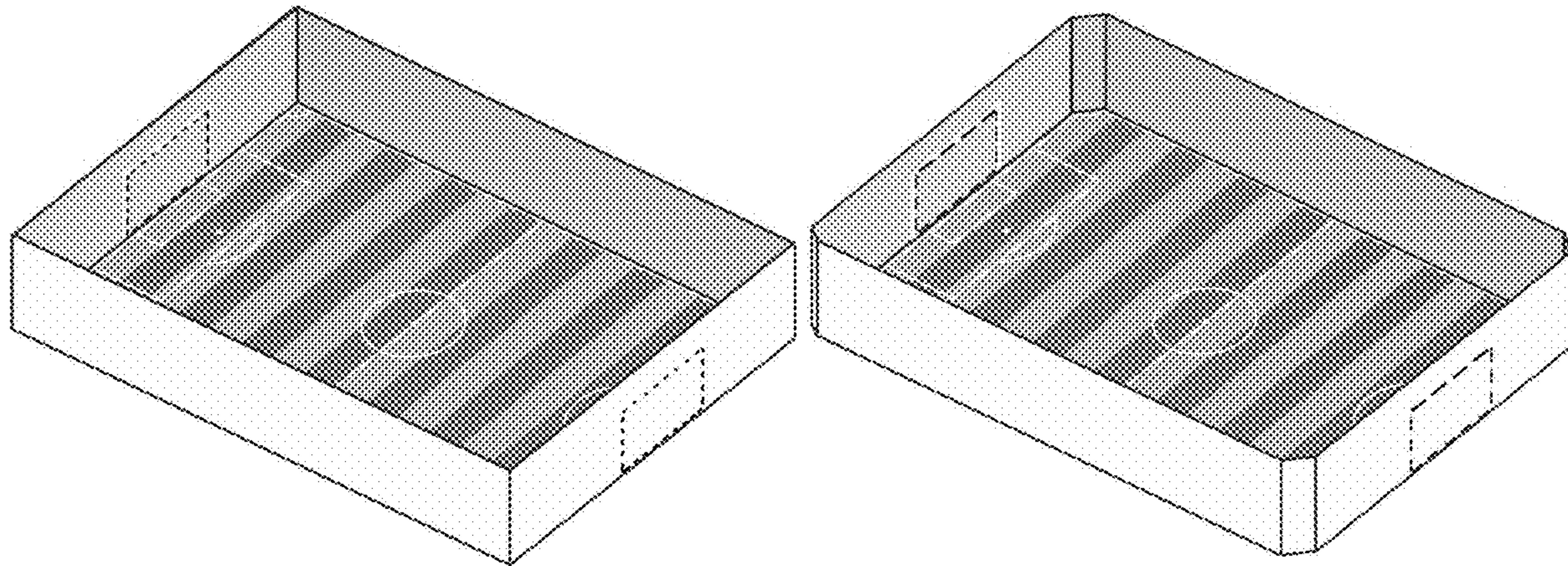
2.4 : Right and left side view

2.5 : Top

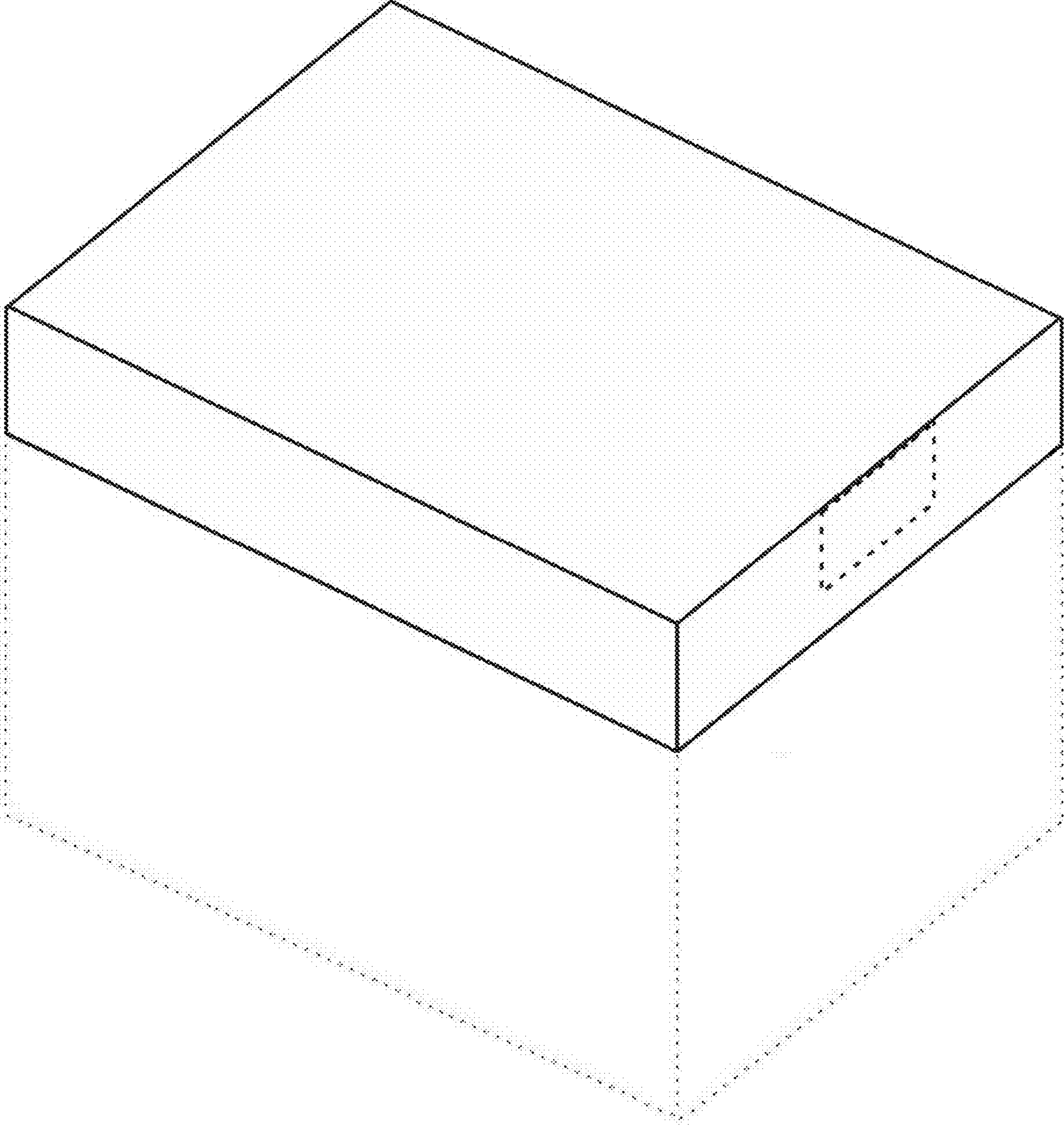
2.6 : Perspective

Short lines in reproductions depict perforation and form a part of the claimed design; dotted lines in reproduction 1.1 and 2.1 depict the box and the cans respectively which is not protected.

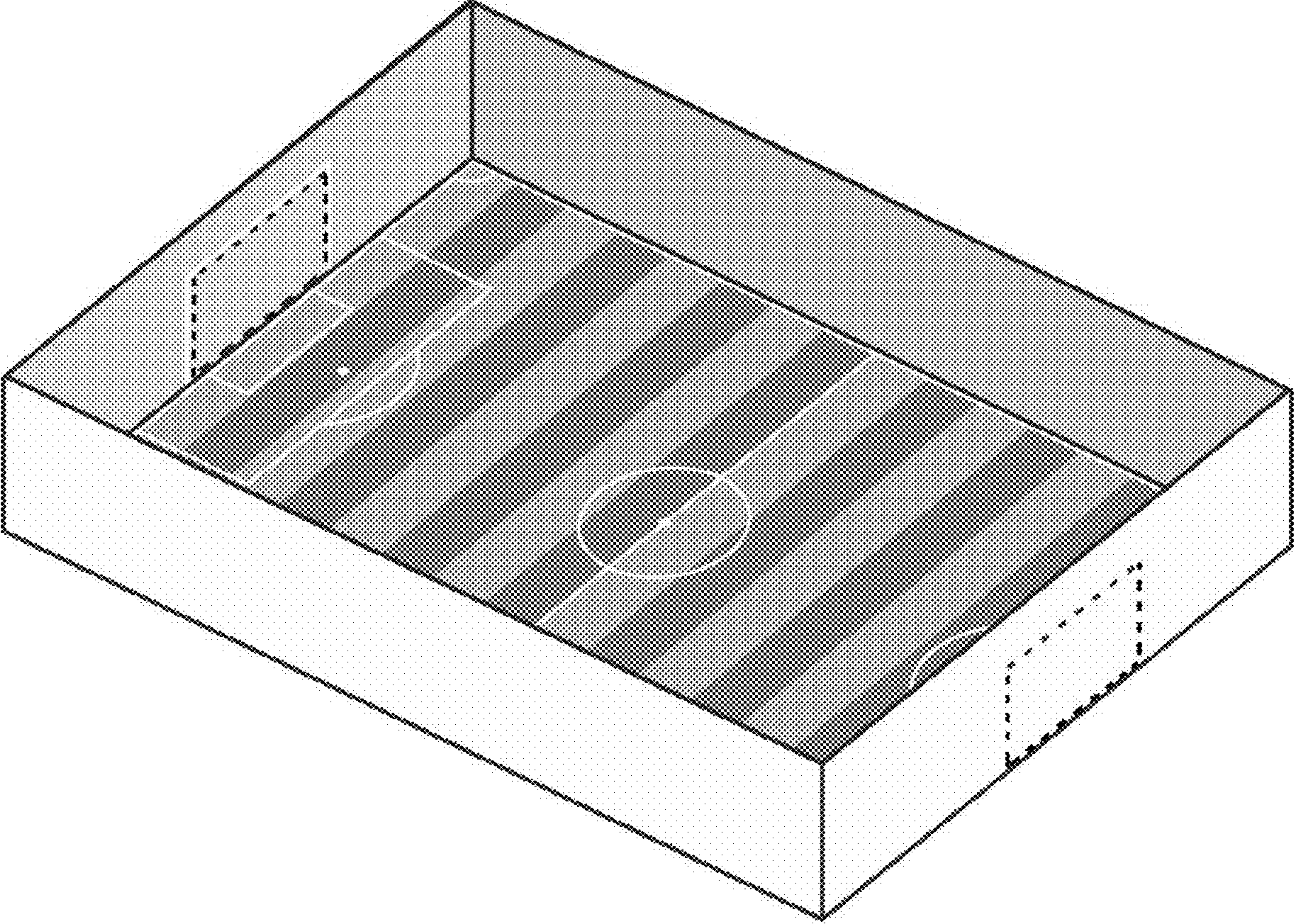
1 Claim, 12 Drawing Sheets
(6 of 12 Drawing Sheet(s) Filed in Color)



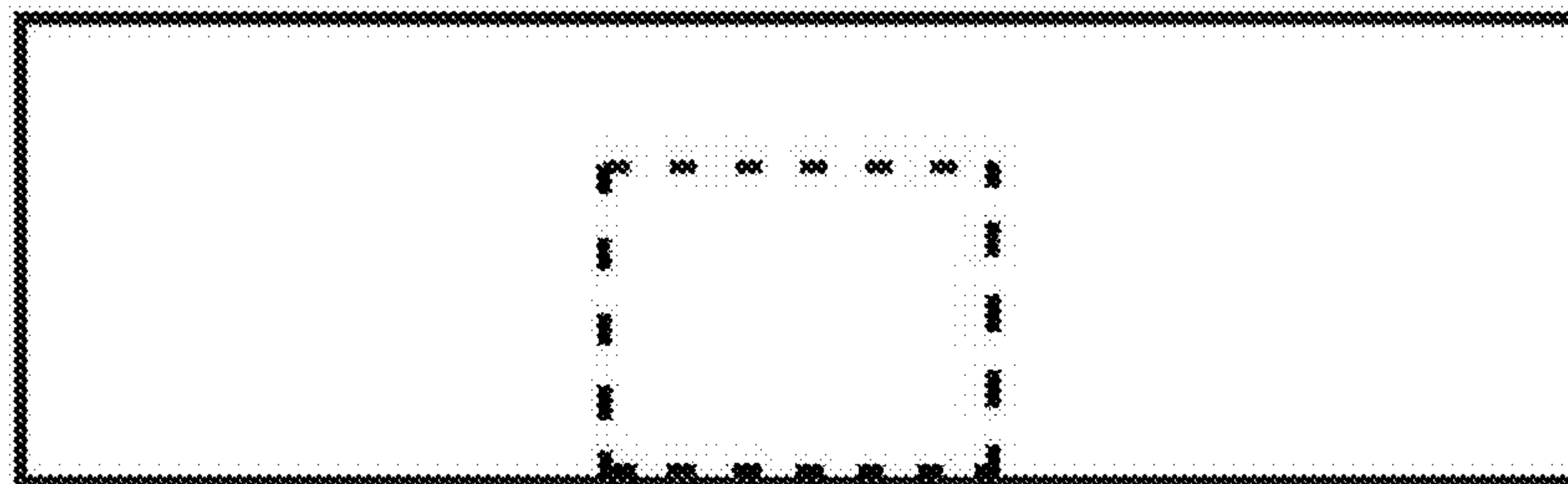
1.1



1.2



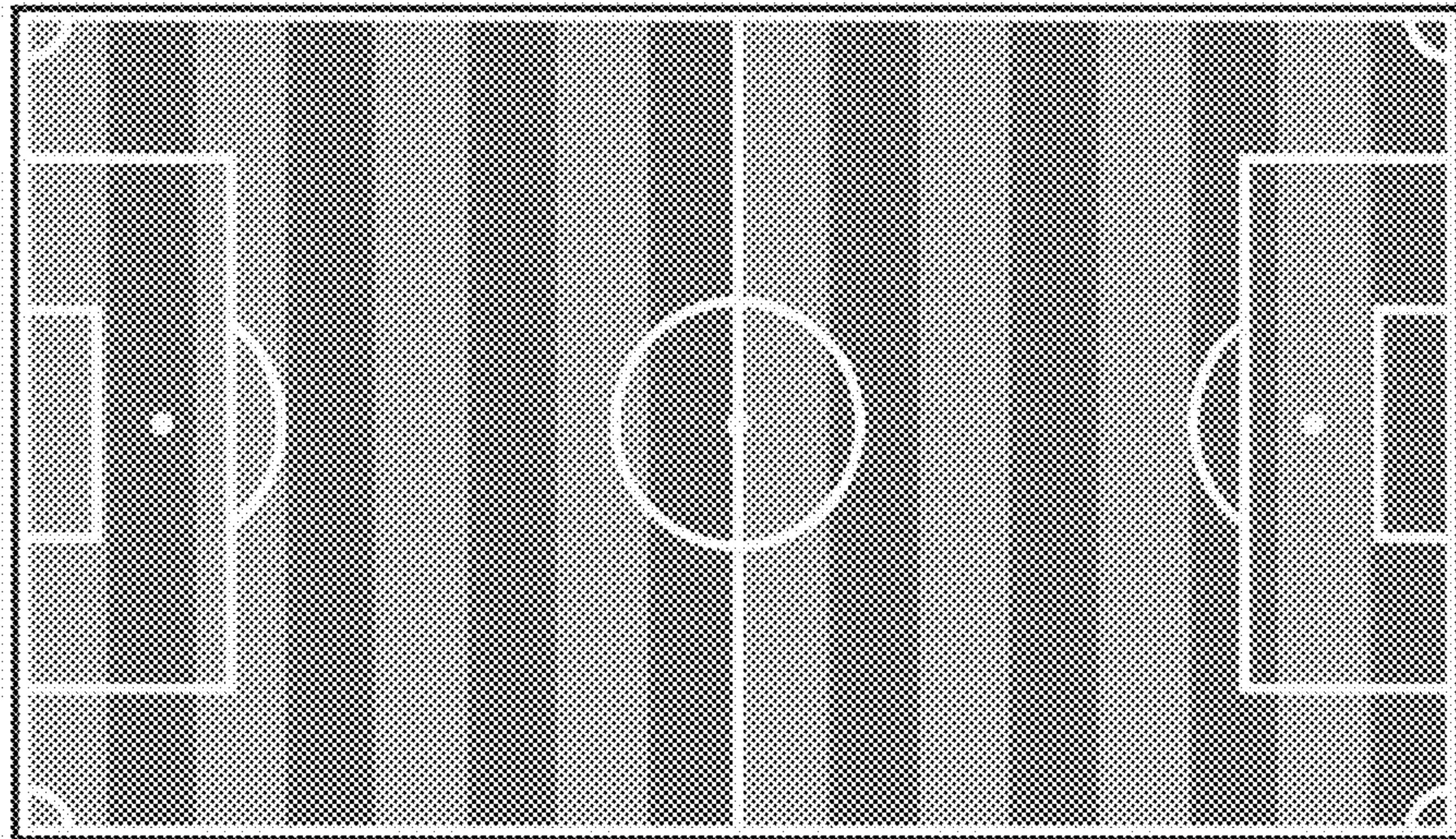
1.3



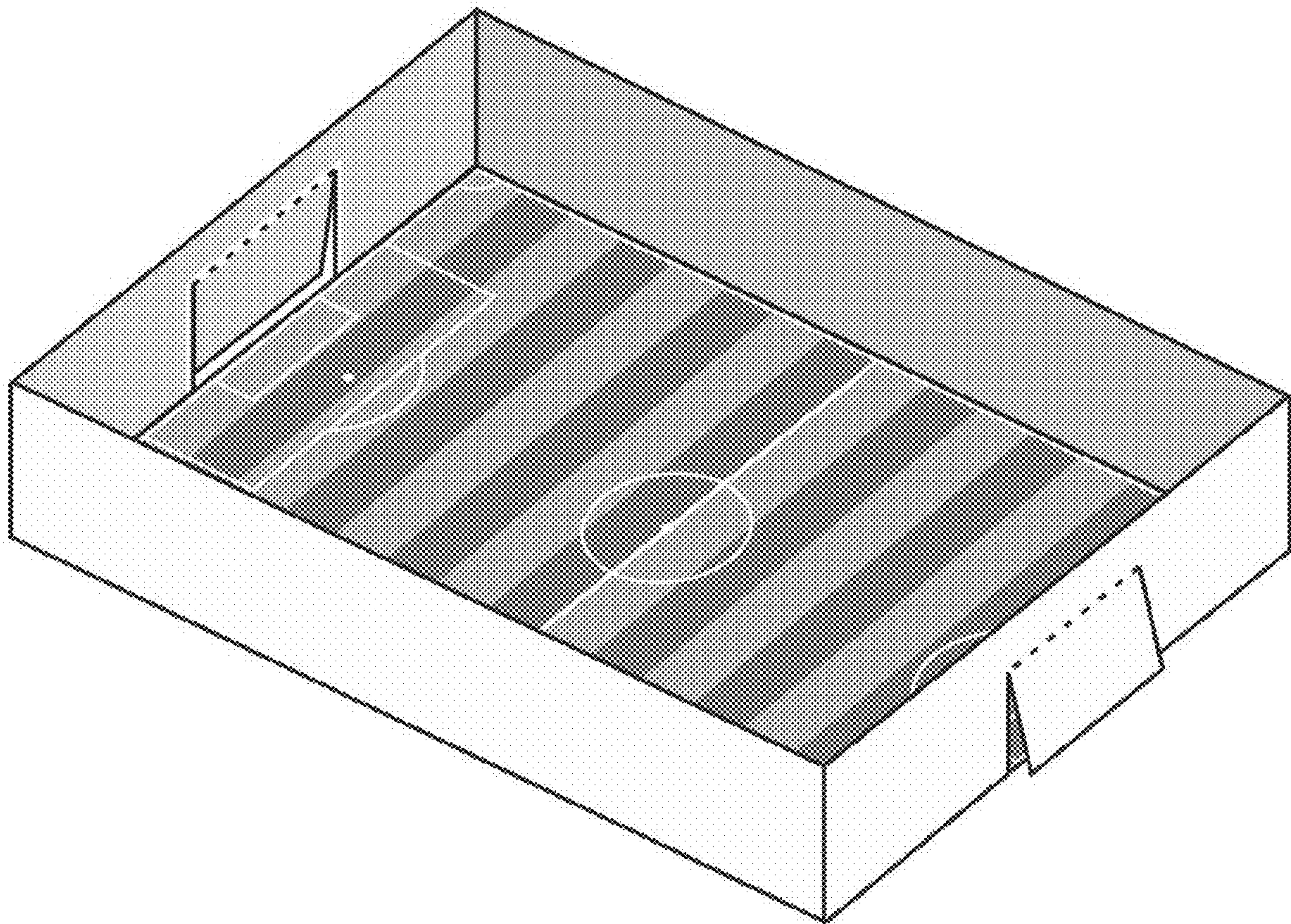
1.4



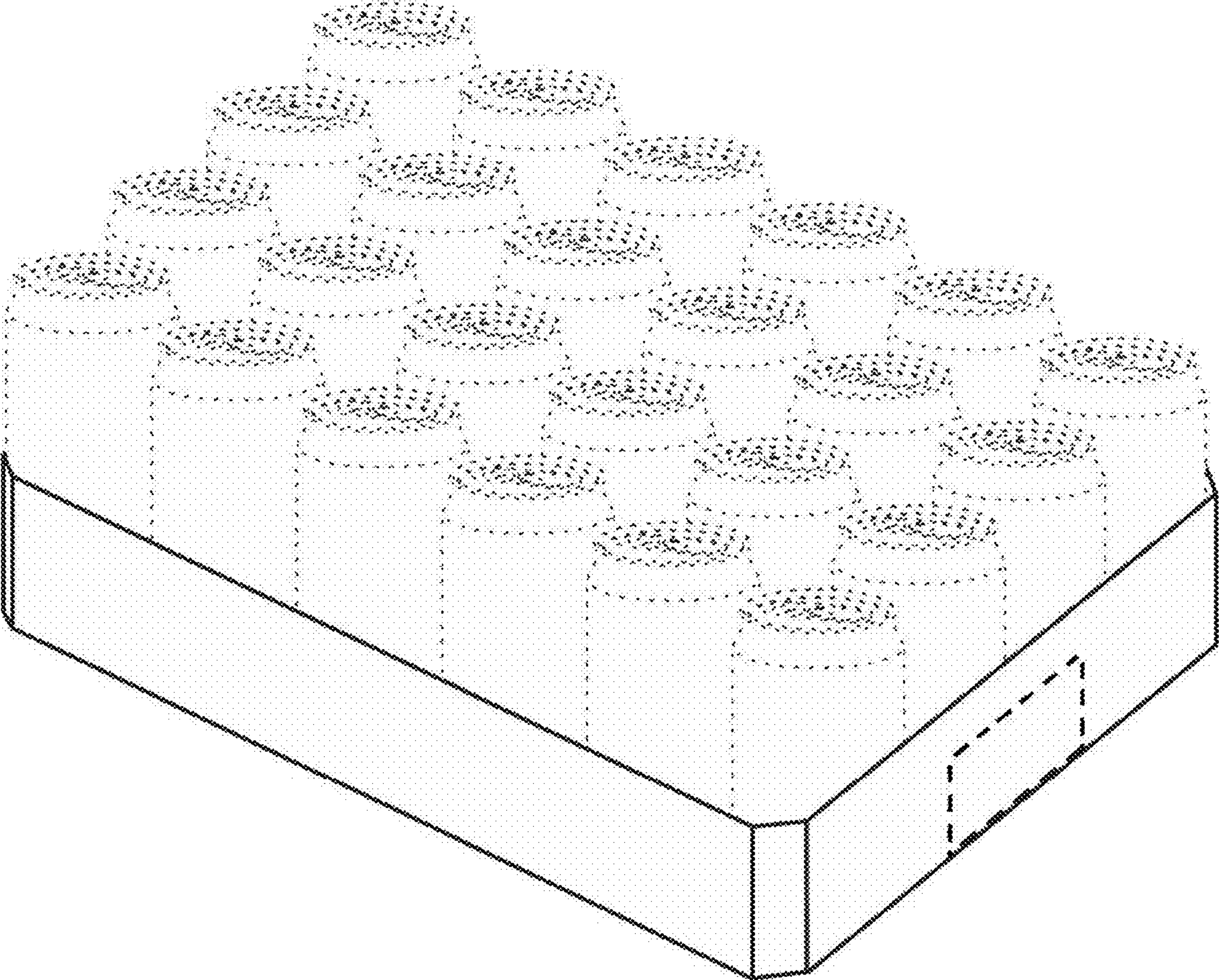
1.5



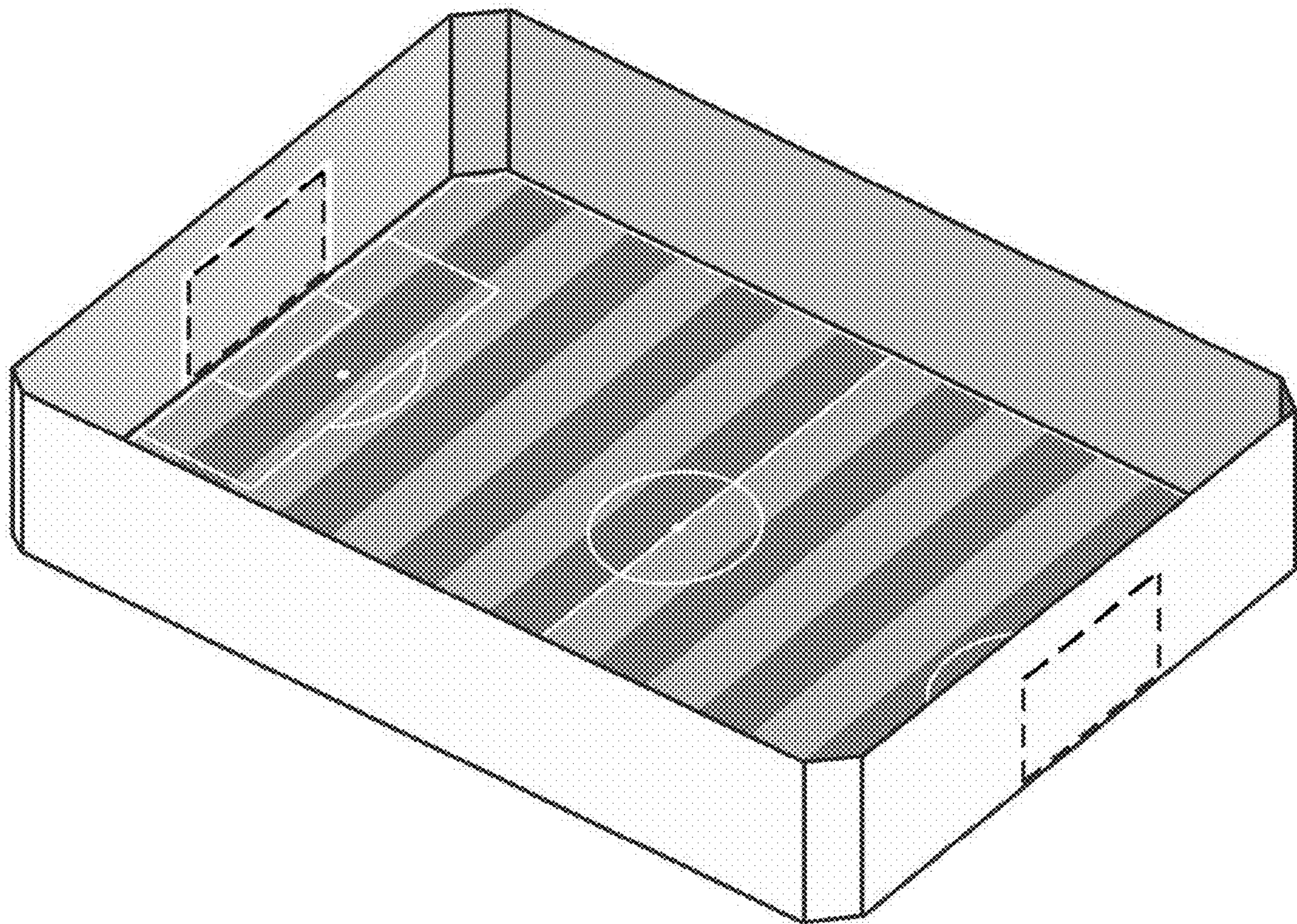
1.6



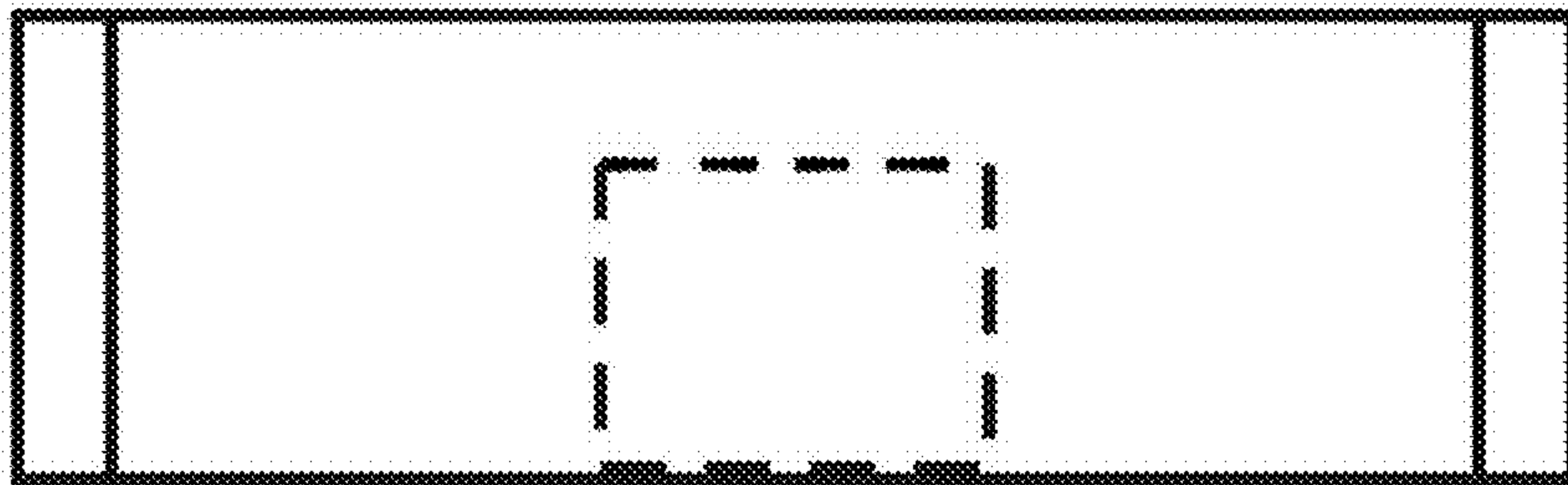
2.1



2.2



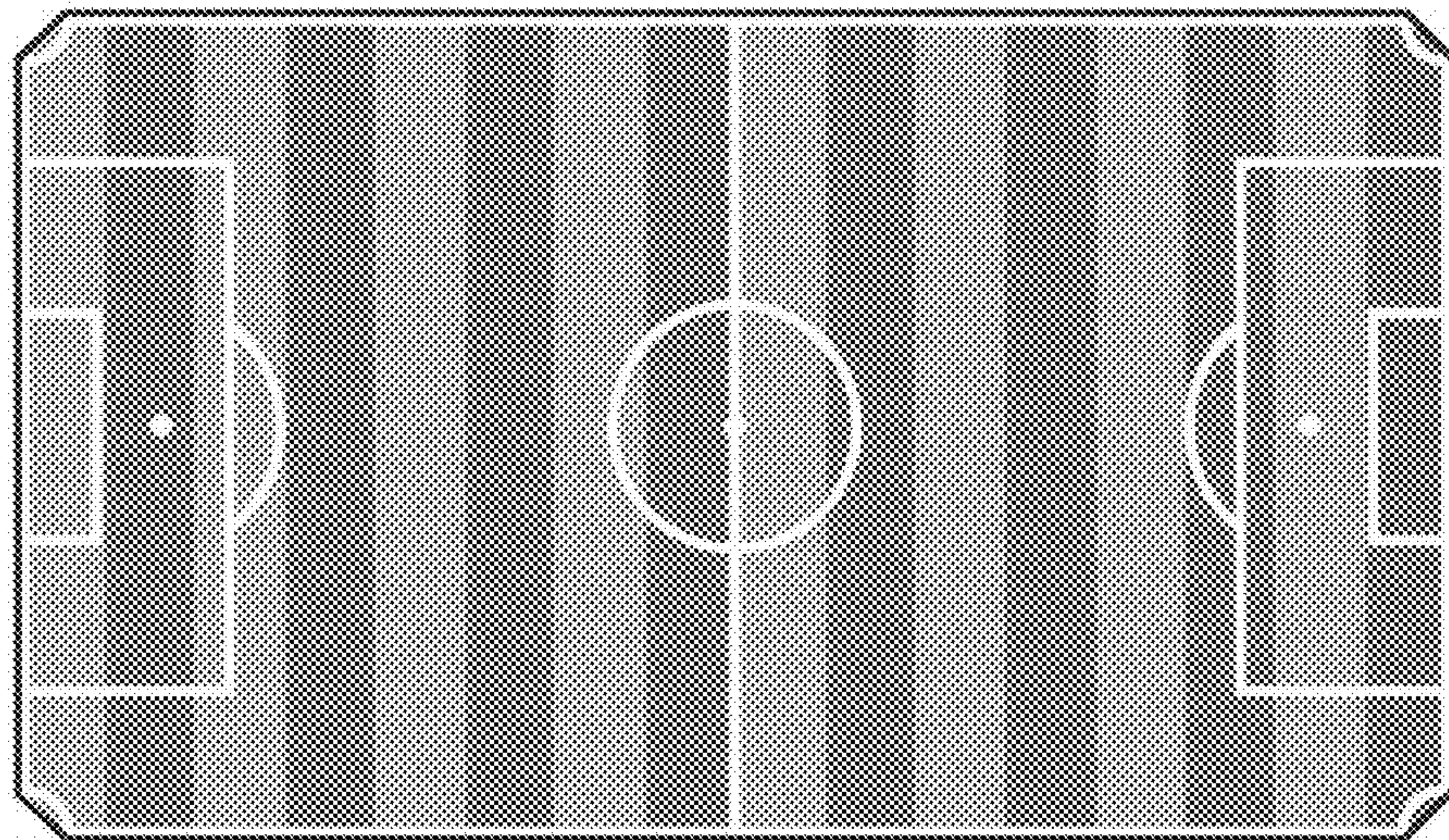
2.3



2.4



2.5



2.6

