



US00D946393S

(12) **United States Design Patent**  
**Boyanich**

(10) **Patent No.:** **US D946,393 S**

(45) **Date of Patent:** **\*\* \*Mar. 22, 2022**

(54) **SECURING APPARATUS FOR HAND GRINDER TOOL**

(71) Applicant: **Joseph E. Boyanich**, Medina, NY (US)

(72) Inventor: **Joseph E. Boyanich**, Medina, NY (US)

(\*) Notice: This patent is subject to a terminal disclaimer.

(\*\*) Term: **15 Years**

(21) Appl. No.: **29/683,605**

(22) Filed: **Mar. 14, 2019**

(51) **LOC (13) Cl.** ..... **08-05**

(52) **U.S. Cl.**  
USPC ..... **D8/394; D8/382**

(58) **Field of Classification Search**  
USPC .... D8/349, 382-399, 72, 62, 51, 66, 70, 61,  
D8/71, 73, 74; 24/710.5, 711, 336, 338,  
24/297, 463, 270, 273; D17/20;  
285/364, 365, 406, 409; 248/346.03, 674  
CPC .... A41H 37/008; A43D 100/08; A44B 1/185;  
A44B 9/02; Y10T 24/4689; Y10T 24/24;  
A45D 8/16; A45D 8/22; A45D 8/26;  
A41D 13/0562; A41D 27/202; A45C  
7/0027;

(Continued)

(56) **References Cited**

**U.S. PATENT DOCUMENTS**

D140,863 S \* 4/1945 Conlan ..... D13/178  
D217,800 S \* 6/1970 Kirkland ..... D8/51

(Continued)

**FOREIGN PATENT DOCUMENTS**

CN 303475751 \* 8/2015  
CN 210232554 \* 6/2019 ..... B24B 23/02

(Continued)

**OTHER PUBLICATIONS**

Black+Decker Angle Grinder Tool, 4-1/2-Inch,(BDEG400),Date first available Jan. 7, 2015, [online]retrieved Feb. 2, 2021, available from internet, [https://www.amazon.com/BLACK-DECKER-Grinder-6-5-Amp-BDEG400/dp/B00RZV20CS/ref=pd\\_day0\\_32?pd\\_rd\\_w=LsXqL&pf\\_rd\\_p=8ca997d7-1ea0-4c8f-9e14-a6d756b83e30](https://www.amazon.com/BLACK-DECKER-Grinder-6-5-Amp-BDEG400/dp/B00RZV20CS/ref=pd_day0_32?pd_rd_w=LsXqL&pf_rd_p=8ca997d7-1ea0-4c8f-9e14-a6d756b83e30) (Year: 2015).\*

(Continued)

*Primary Examiner* — Keli L Hill

*Assistant Examiner* — Sara S Sahneh

(74) *Attorney, Agent, or Firm* — Roach Brown McCarthy & Gruber, P.C.; Kevin D. McCarthy

(57) **CLAIM**

The ornamental design for a securing apparatus for hand grinder tool, as shown and described.

**DESCRIPTION**

FIG. 1 is an isometric top and right side view of the securing apparatus for hand grinder tool of the applicant's design holding a hand grinder tool and connected to a wire and an interconnecting device;

FIG. 2 is FIG. 1 without holding the hand grinder tool and being connected to a wire and an interconnecting device;

FIG. 3 is an isometric bottom and left side view of FIG. 2;

FIG. 4 is a front side view of FIG. 2;

FIG. 5 is a right side view of FIG. 2;

FIG. 6 is a rear view of FIG. 2;

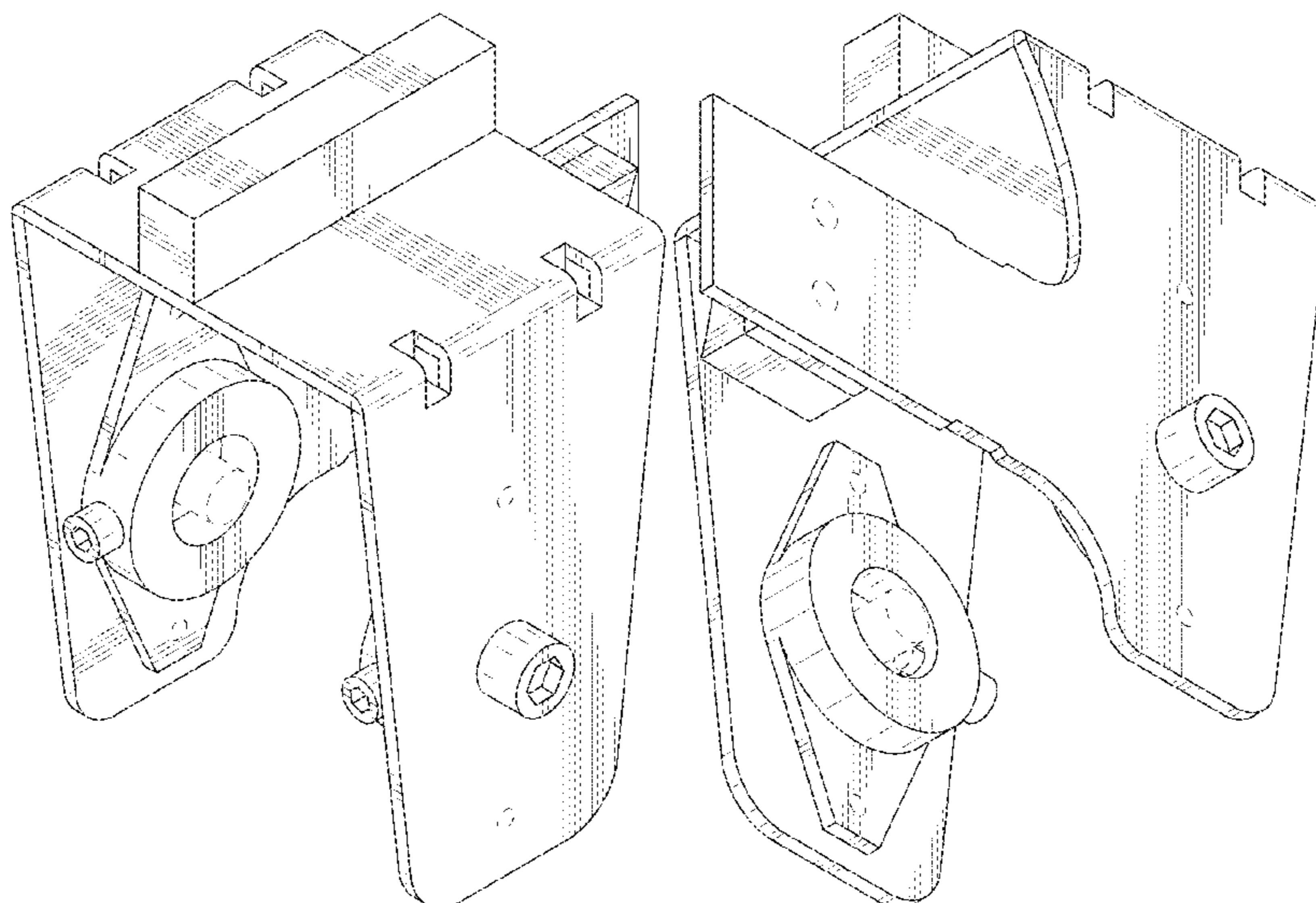
FIG. 7 is a left side view of FIG. 2;

FIG. 8 is a top side view of FIG. 2; and,

FIG. 9 is a bottom side view of FIG. 2.

The broken lines shown are included for the purpose of illustrating portions of the securing apparatus for hand grinder tool that form no part of the claim. The broken lines in FIG. 1 are for the purpose of illustrating environmental structure of the securing apparatus for hand grinder tool, the broken lines form no part of the claimed design.

**1 Claim, 9 Drawing Sheets**



(58) **Field of Classification Search**

CPC . B21D 53/52; B21F 45/18; B65H 2405/1414;  
 B65H 2402/5153; B65H 2301/51539;  
 B65D 33/2525; B65D 33/25865; A61M  
 2005/244; A63F 2003/00735; A47B  
 2097/003; A63H 33/101; E04B 9/205;  
 B01J 2219/30257; B01J 2301/51539;  
 F16L 23/036; F16L 23/00; F16L 23/06;  
 F16B 2/18; B63H 25/38; B63H 25/382;  
 B25B 5/127; B25F 5/026; B25F 5/00;  
 B25F 5/02; B25H 3/006; B25H 3/00;  
 F16M 13/022; H05K 13/0408; H01F  
 27/027

See application file for complete search history.

2014/0251649 A1\* 9/2014 Kondo ..... B23Q 9/00  
 173/170  
 2015/0072596 A1\* 3/2015 Olberg ..... B24B 23/005  
 451/28  
 2015/0239119 A1\* 8/2015 Hurst ..... B25F 5/026  
 248/674  
 2019/0001089 A1\* 1/2019 Hoysan ..... F16M 11/42  
 2020/0388451 A1\* 12/2020 Causey ..... B25F 5/02

**FOREIGN PATENT DOCUMENTS**

DE	13 00052	*	11/2013	.....	B24B 7/18
DE	202014103618	*	8/2014	.....	B24B 23/02
DE	20 2018 004 060	*	8/2018	.....	B25F 5/02

**OTHER PUBLICATIONS**

Yootop ,Plastic Hammer Drill Handle Adjustable Side Front Aux-  
 iliary Handle, Date first available Oct. 31, 2018, [online]retrieved  
 Feb. 2, 2021, available from internet, [https://www.amazon.com/  
 Yootop-Hammer-Plastic-Auxiliary-GBH2-26/dp/B07K2V5SJ3/ref=  
 pd\\_sbs\\_5?pd\\_rd\\_w=kbAqV&pf\\_rd\\_p=c52600a3-624a-4\(Year: 2018\).\\*](https://www.amazon.com/Yootop-Hammer-Plastic-Auxiliary-GBH2-26/dp/B07K2V5SJ3/ref=pd_sbs_5?pd_rd_w=kbAqV&pf_rd_p=c52600a3-624a-4(Year: 2018).*)  
 Bosch Store, Parts 1612025027 Auxiliary Handle, Date first avail-  
 able May 21, 2015, [online]retrieved Feb. 2, 2021, available from  
 internet, [https://www.amazon.com/Bosch-Parts-1612025027-Auxiliary-  
 Handle/dp/B00YCP958M/ref=sr\\_1\\_121?dchild=1&keywords=  
 AUXILIARY \(Year: 2015\).\\*](https://www.amazon.com/Bosch-Parts-1612025027-Auxiliary-Handle/dp/B00YCP958M/ref=sr_1_121?dchild=1&keywords=AUXILIARY(Year: 2015).*)

\* cited by examiner

(56) **References Cited**

**U.S. PATENT DOCUMENTS**

3,871,137	A *	3/1975	Grammatico	.....	B24B 23/005 451/340
D483,650	S *	12/2003	Squillante	.....	D8/349
7,003,859	B2 *	2/2006	Lehner	.....	B25B 27/14 29/402.01
8,690,497	B2 *	4/2014	Bodine	.....	B25F 5/02 408/124
9,249,923	B2 *	2/2016	DiCarlo	.....	F16M 13/02
2013/0055860	A1 *	3/2013	French	.....	B25F 5/026 81/489

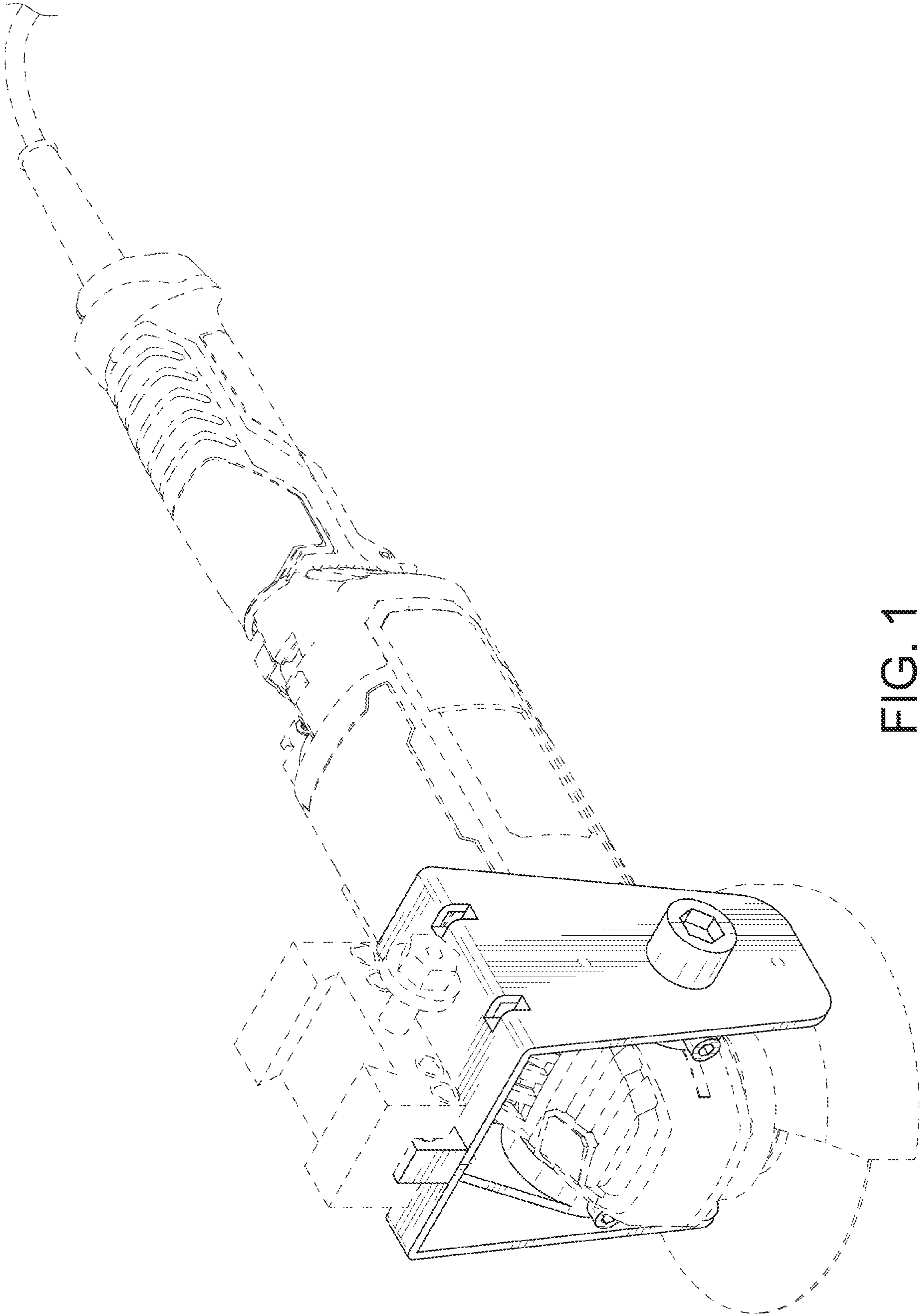


FIG. 1

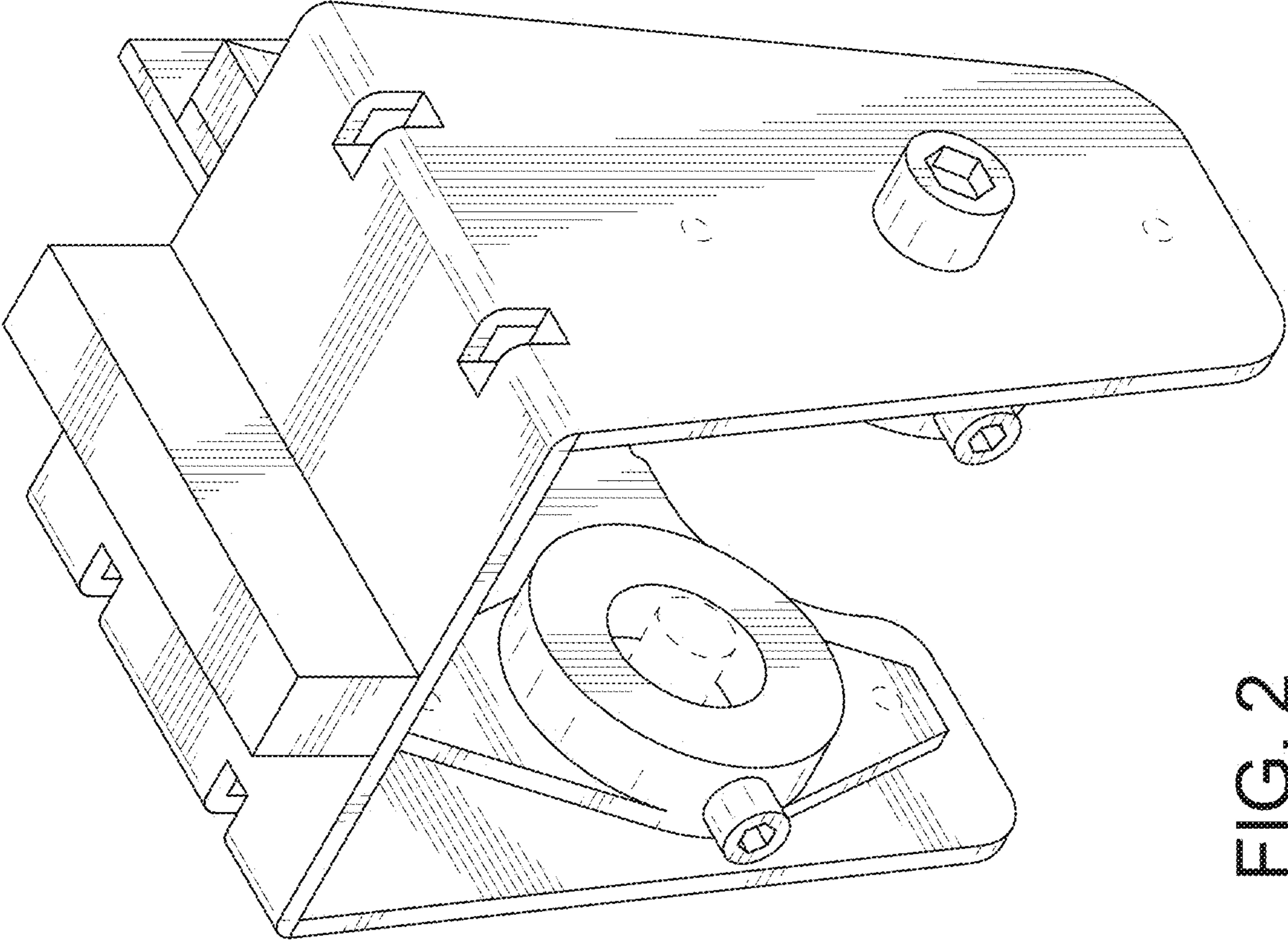


FIG. 2

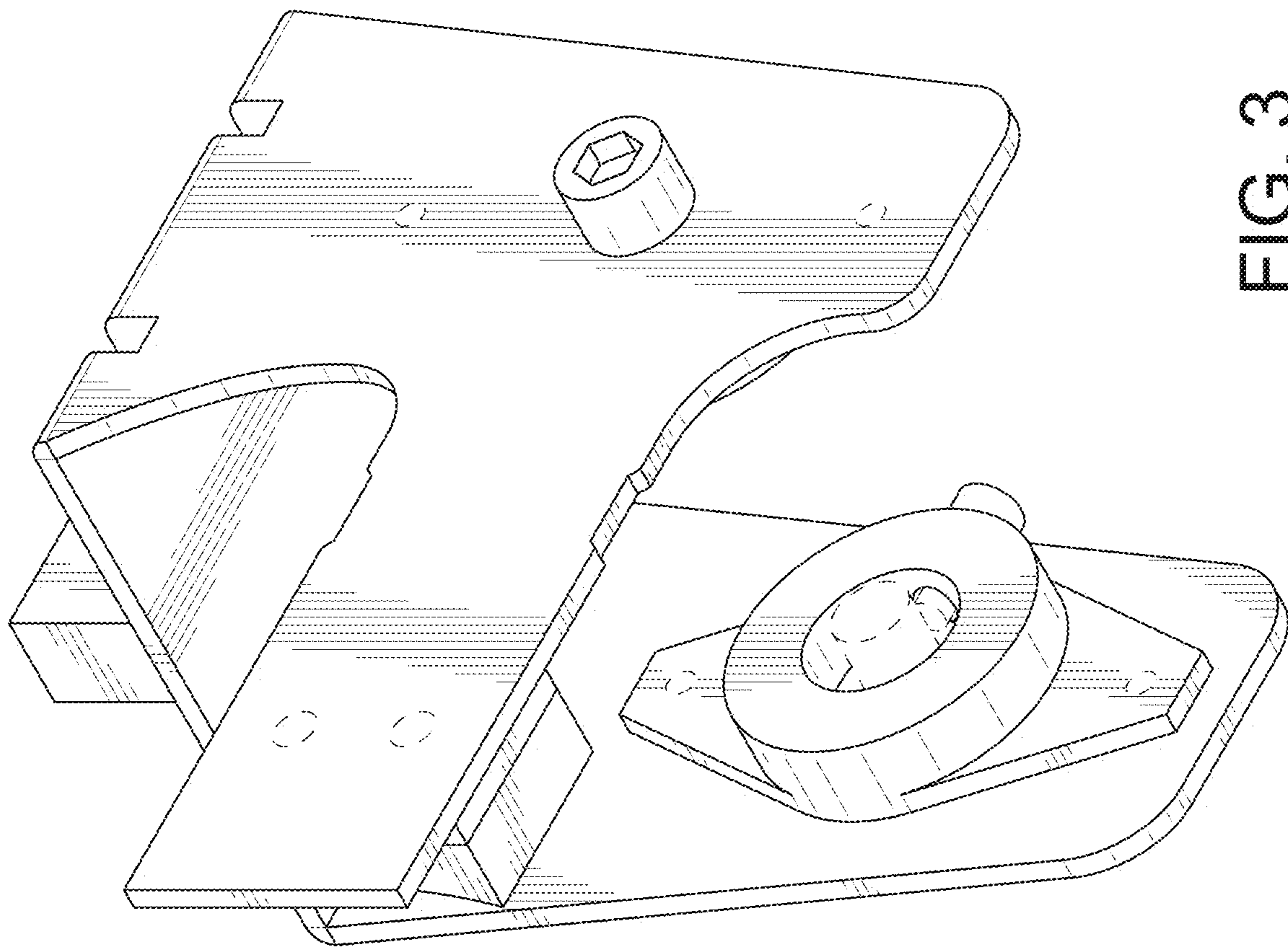


FIG. 3

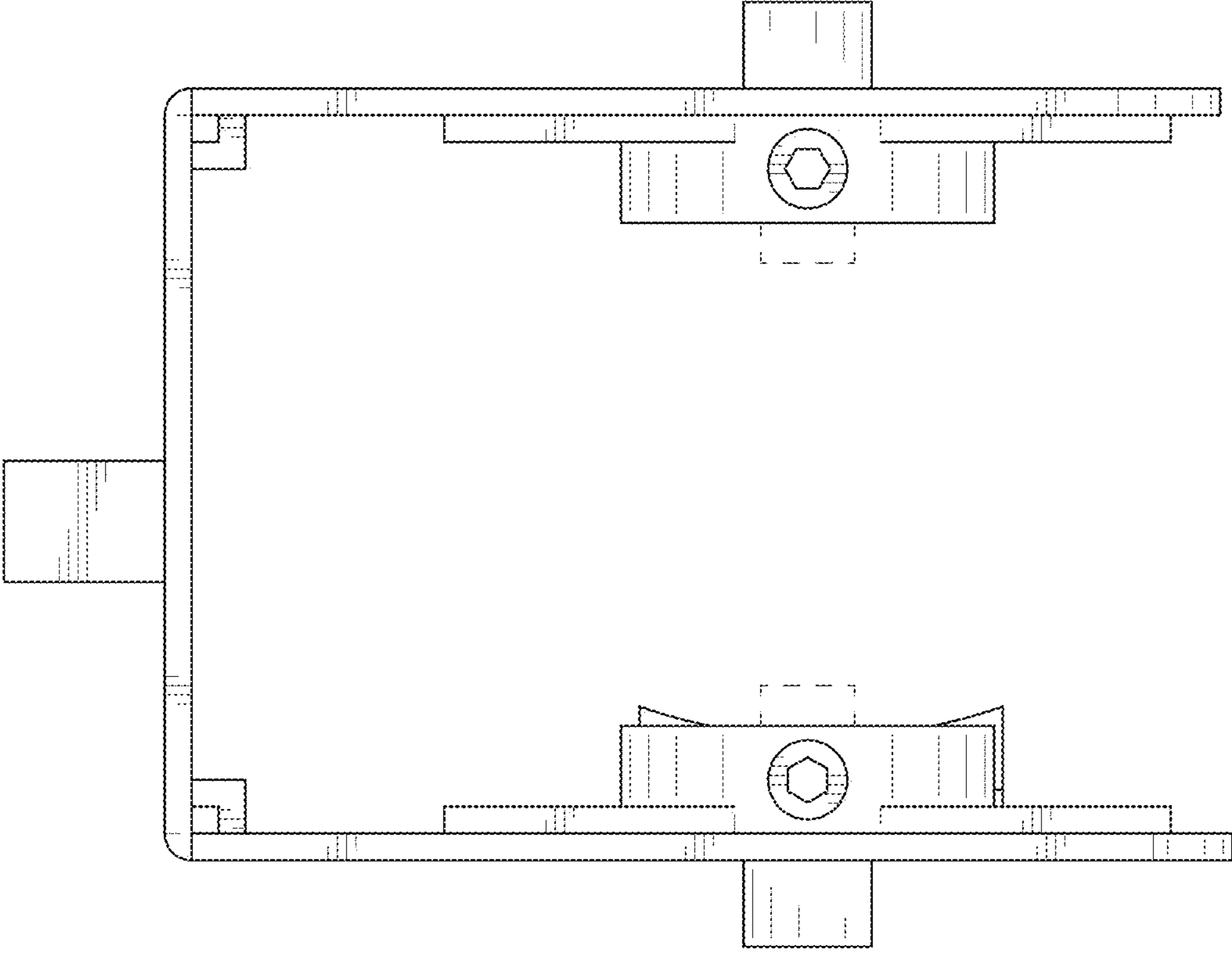


FIG. 4

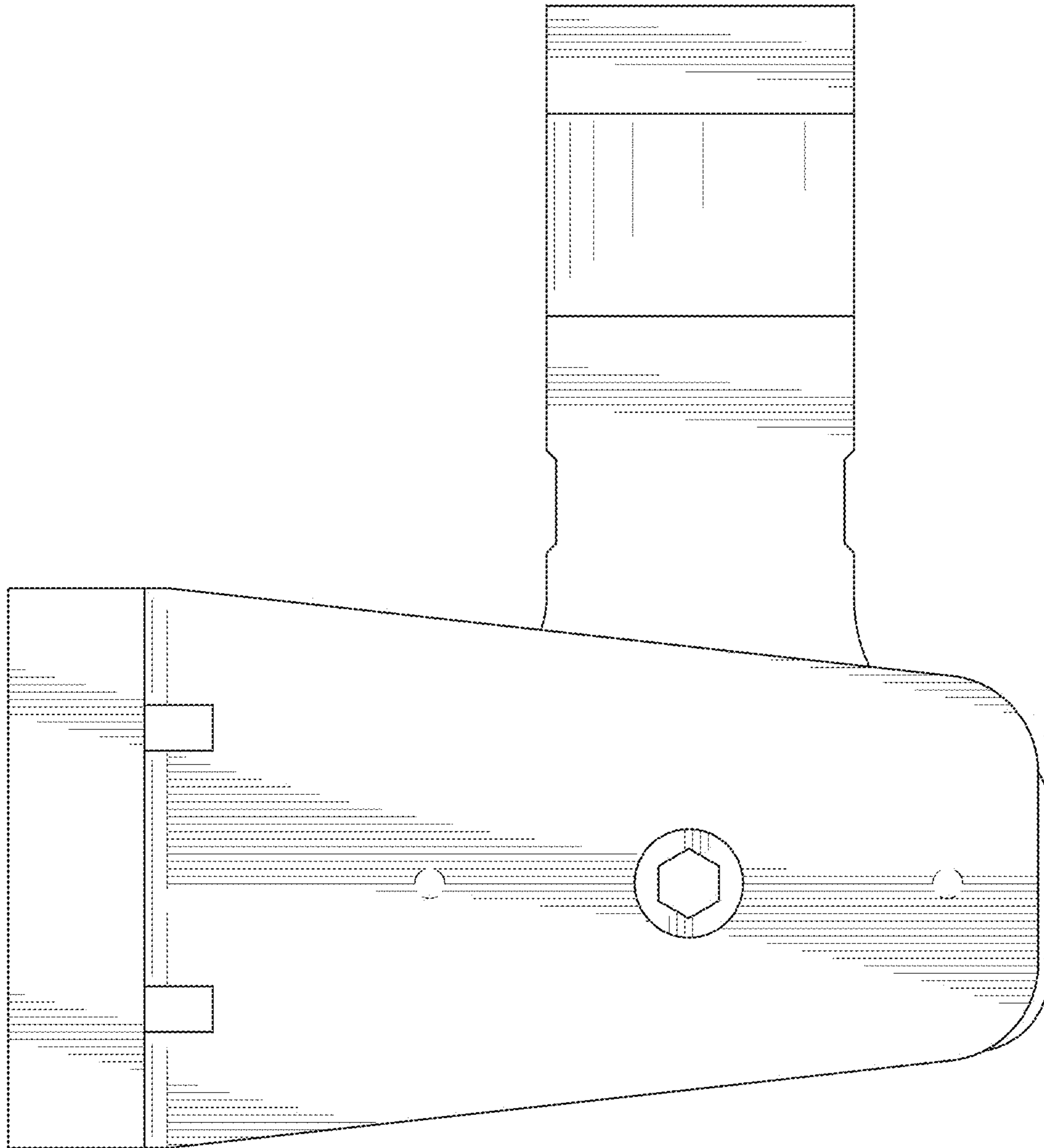


FIG. 5

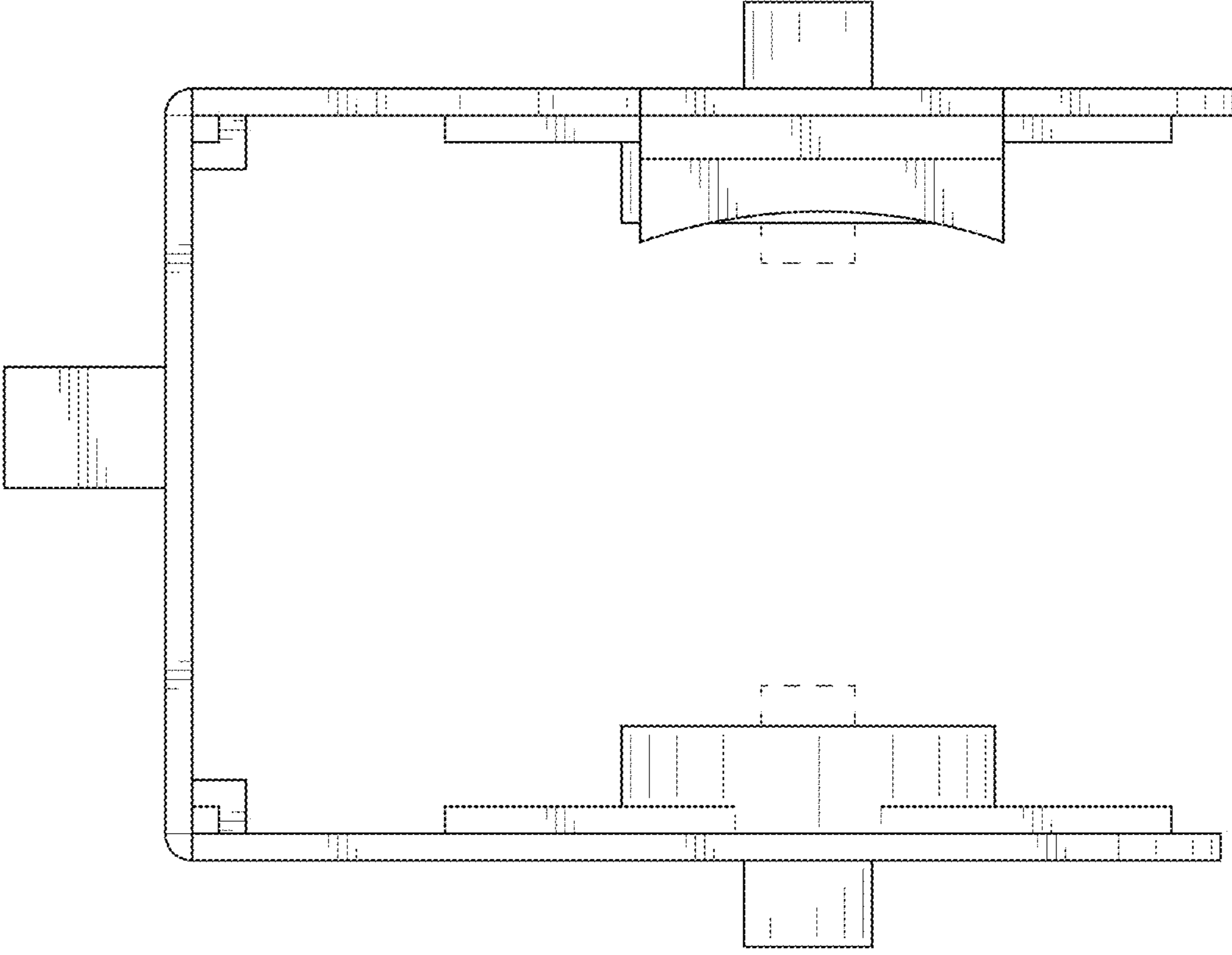


FIG. 6



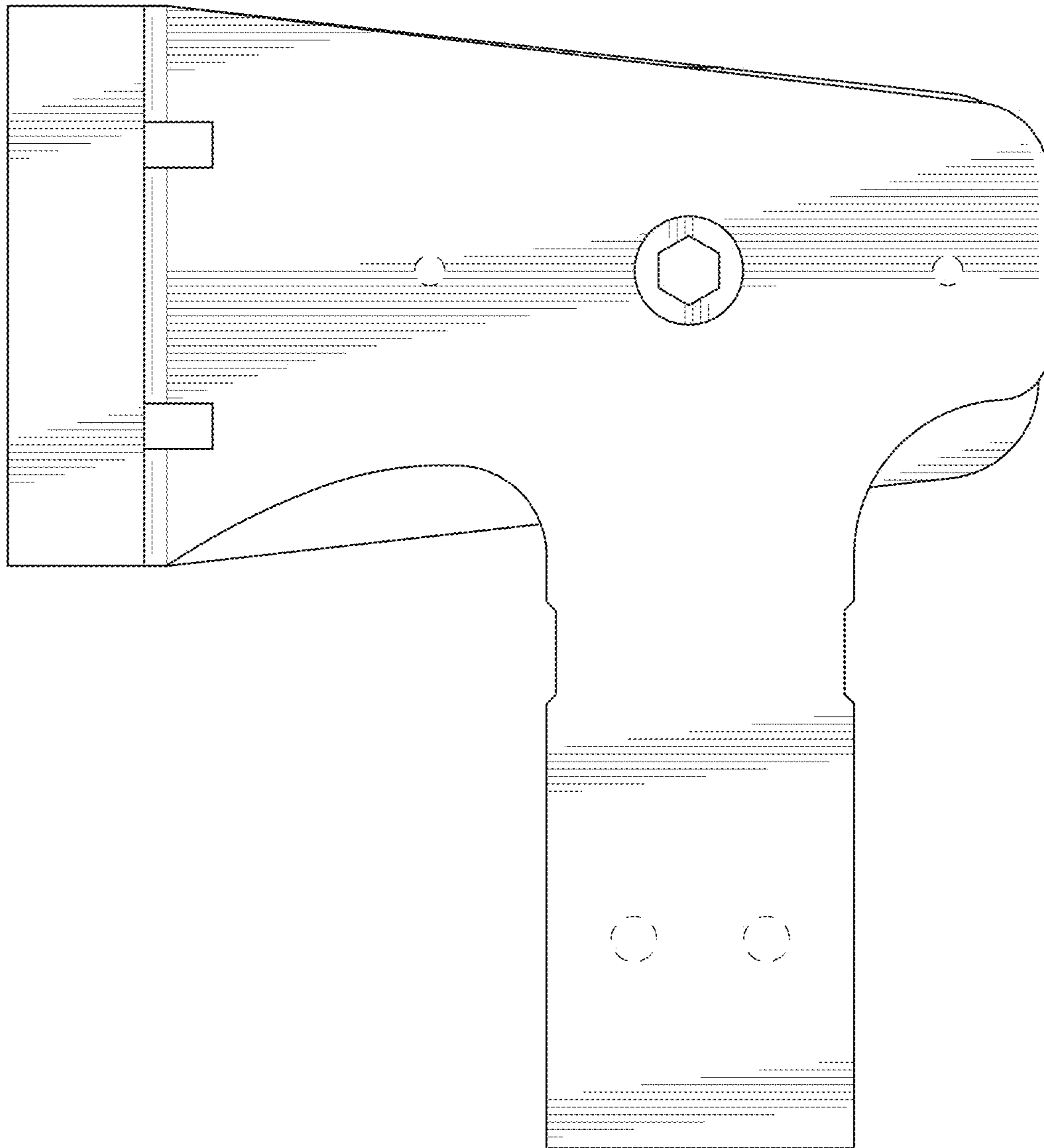


FIG. 7

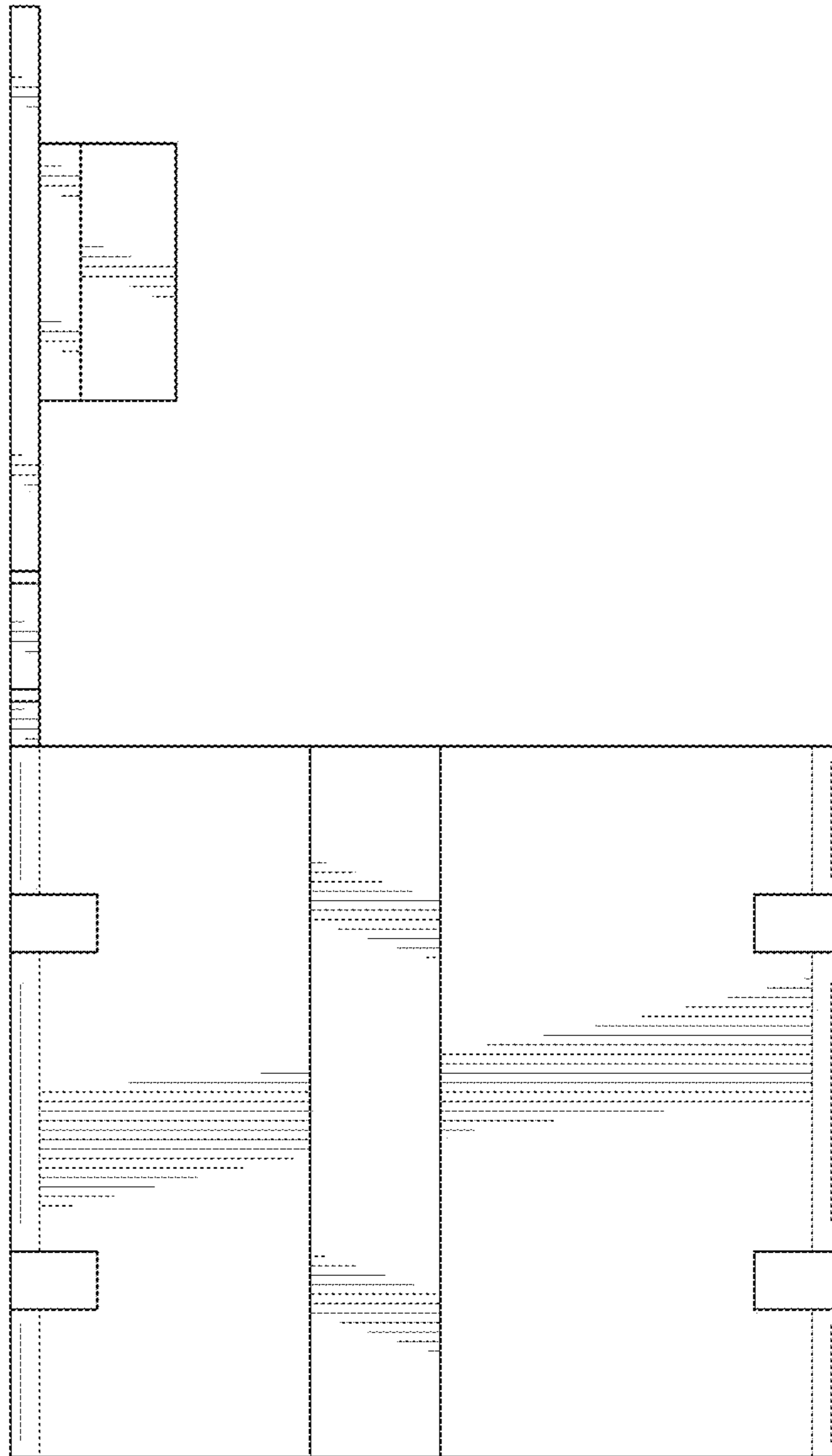


FIG. 8

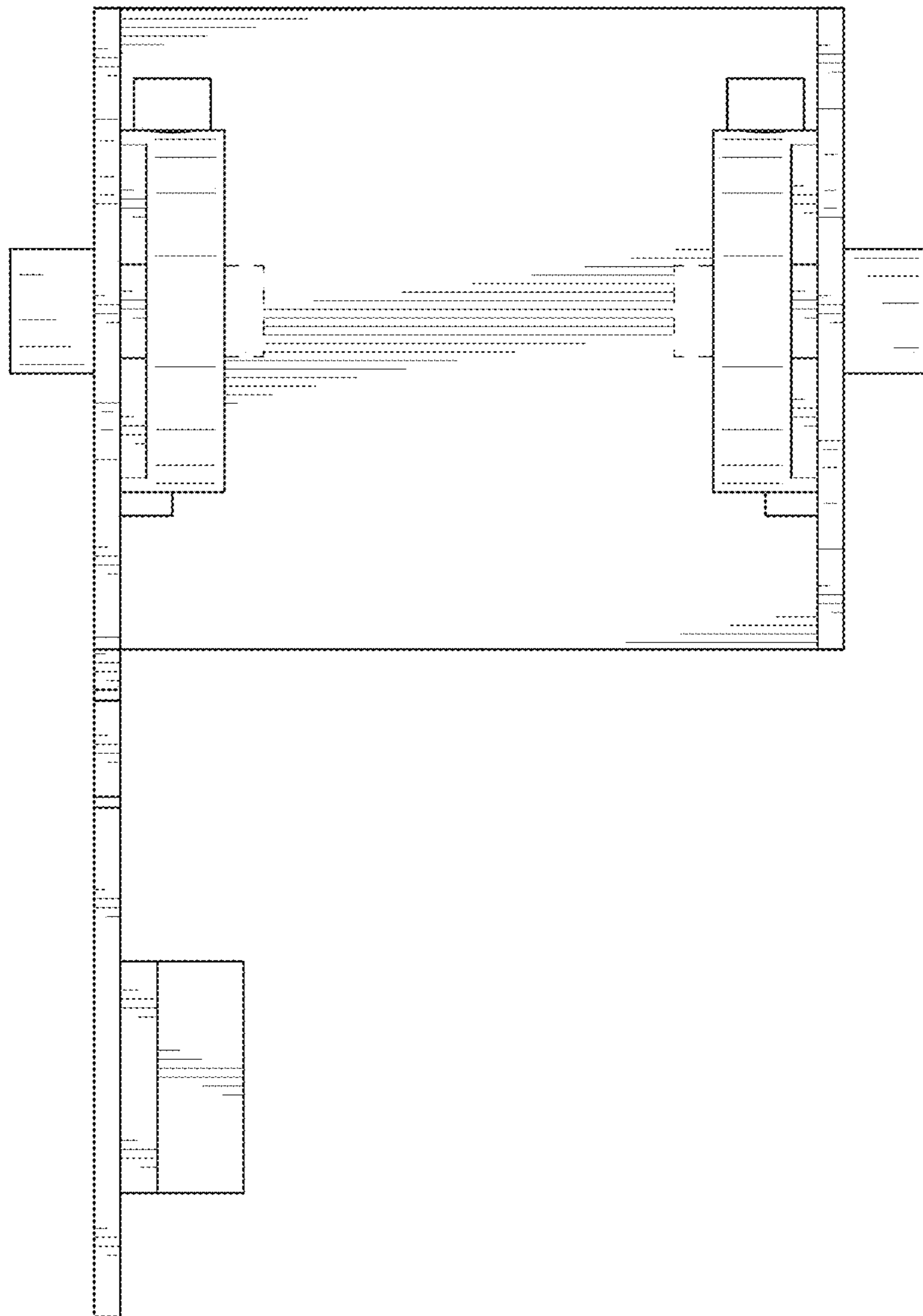


FIG. 9