

US00D946392S

(12) **United States Design Patent**  
**Lah**

(10) **Patent No.:** **US D946,392 S**  
(45) **Date of Patent:** **\*\* Mar. 22, 2022**

(54) **CONNECTOR FOR ASSEMBLY FURNITURE**

(71) Applicant: **JKL CORPORATION**, Seoul (KR)

(72) Inventor: **Jeh Kun Lah**, Seoul (KR)

(\*\*) Term: **15 Years**

(21) Appl. No.: **35/510,799**

(22) Filed: **Oct. 14, 2020**

(80) **Hague Agreement Data**

Int. Filing Date: **Oct. 14, 2020**

Int. Reg. No.: **DM/211223**

Int. Reg. Date: **Oct. 14, 2020**

Int. Reg. Pub. Date: **Nov. 20, 2020**

(30) **Foreign Application Priority Data**

Jun. 19, 2020 (KR) ..... 30-2020-0027943

(51) **LOC (13) Cl.** ..... **08-08**

(52) **U.S. Cl.**  
USPC ..... **D8/382**

(58) **Field of Classification Search**  
USPC ..... D8/354, 382; D21/487, 499; D6/368,  
D6/691.6

CPC ..... A47C 4/28; A47C 4/44; A47C 4/286  
See application file for complete search history.

(56) **References Cited**

**U.S. PATENT DOCUMENTS**

D157,592 S \* 3/1950 Hollaender ..... D8/382  
D170,240 S \* 8/1953 Raylor ..... D8/396  
D186,331 S \* 10/1959 Hosking ..... D8/382  
D354,432 S \* 1/1995 Starman ..... D8/382

D364,554 S \* 11/1995 Seo ..... D8/382  
D418,047 S \* 12/1999 Hirano ..... D8/382  
D418,398 S \* 1/2000 Hirano ..... D8/382  
D423,918 S \* 5/2000 Hirano ..... D8/382  
D602,771 S \* 10/2009 VanElverdinghe ..... D8/382  
D831,366 S \* 10/2018 Jin ..... D6/368  
10,342,351 B2 \* 7/2019 Lenhart ..... A47C 4/28  
10,477,961 B2 \* 11/2019 Heim ..... A47B 13/02  
D885,170 S \* 5/2020 McMullin ..... D8/382  
D897,712 S \* 10/2020 Hu ..... D6/368  
D906,794 S \* 1/2021 Chen ..... D8/382  
D917,371 S \* 4/2021 Harriton ..... D12/223  
D923,956 S \* 7/2021 Xia ..... D6/368  
D927,210 S \* 8/2021 Chang ..... D6/368  
D927,211 S \* 8/2021 Chang ..... D6/368  
2021/0015263 A1 \* 1/2021 Lah ..... A47C 4/30

**FOREIGN PATENT DOCUMENTS**

JP D1694164 \* 9/2021

\* cited by examiner

*Primary Examiner* — Deanna L Pratt

(57) **CLAIM**

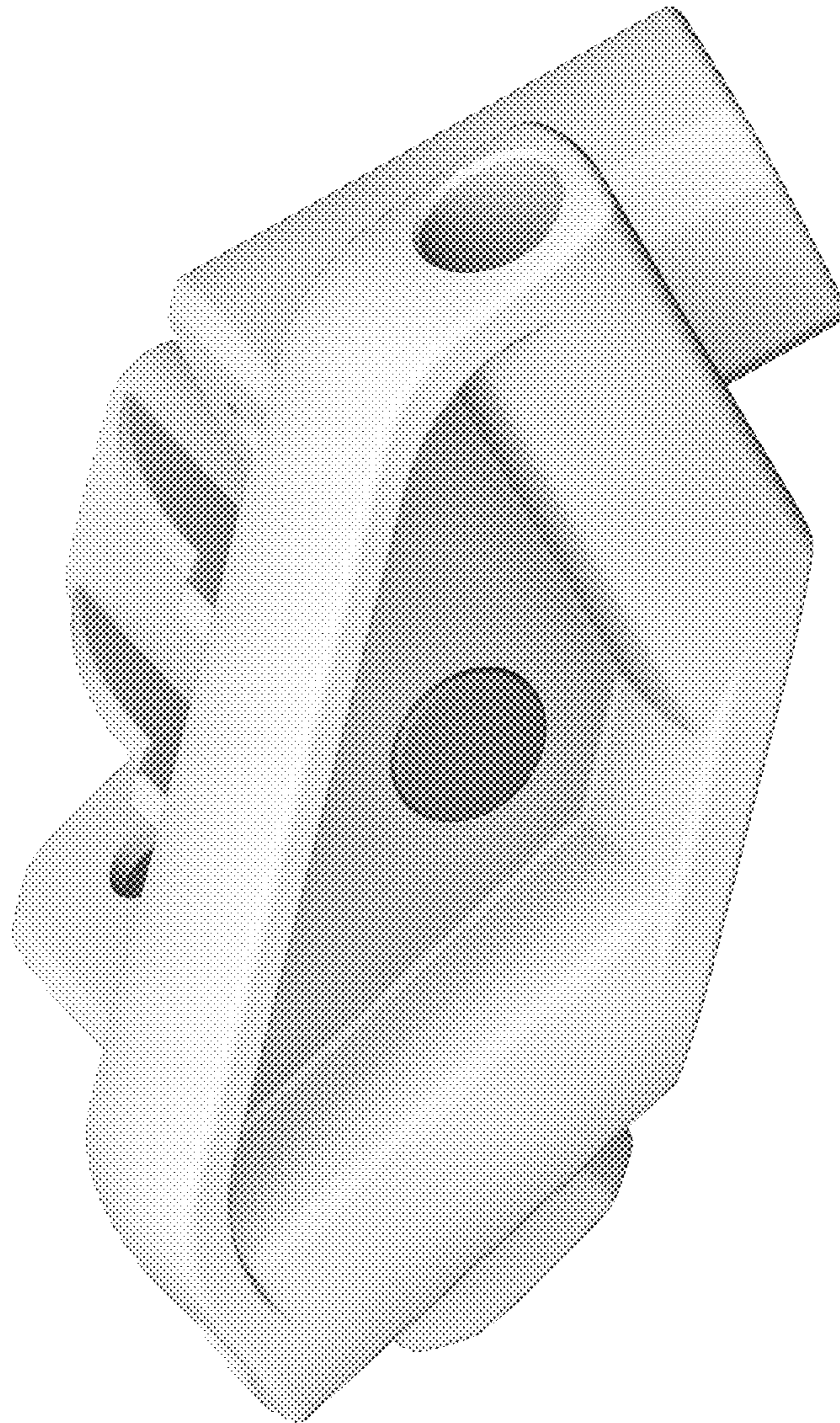
The ornamental design for a connector for assembly furniture, as shown and described.

**DESCRIPTION**

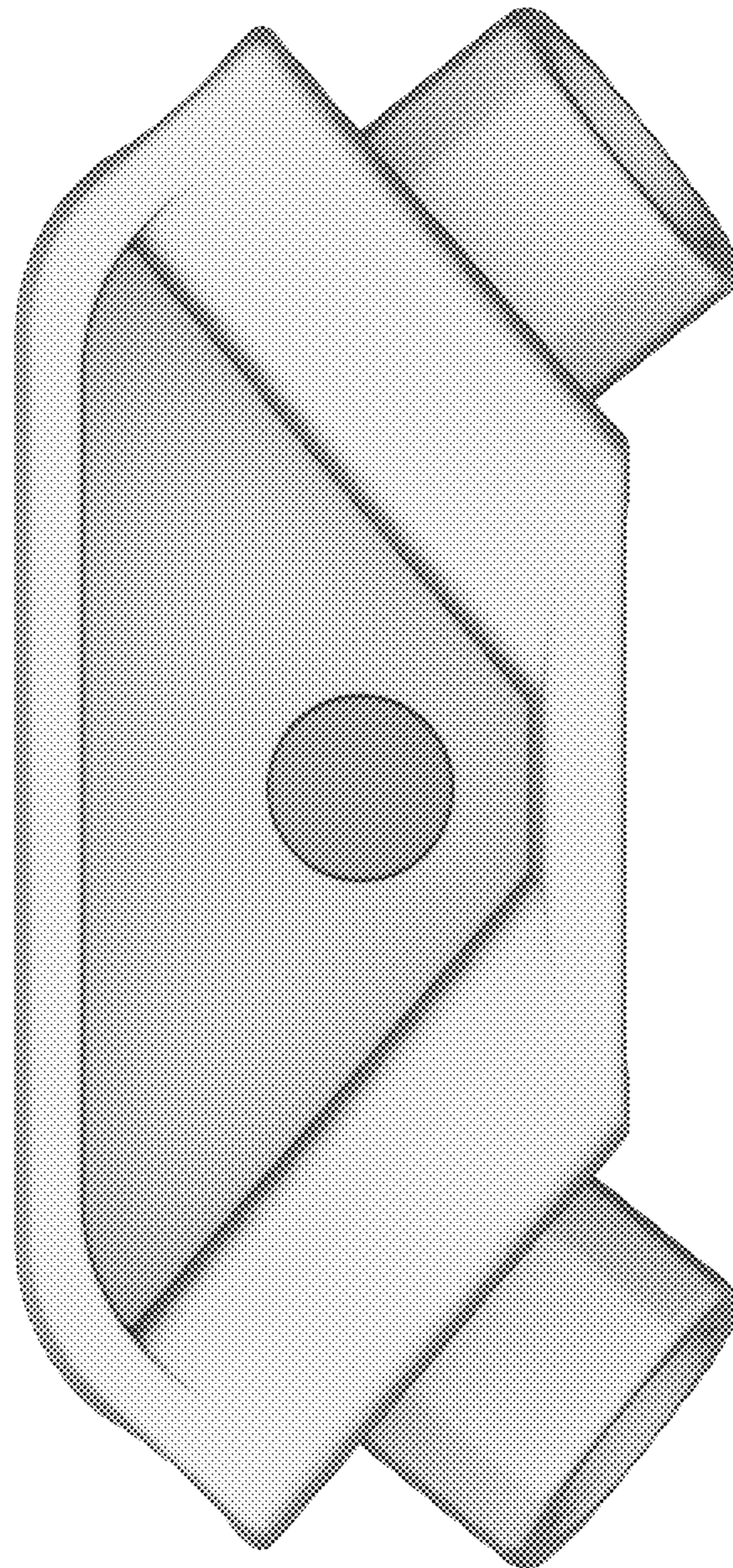
- 1. Connector for assembly furniture
- 1.1 : Perspective
- 1.2 : Front
- 1.3 : Back
- 1.4 : Left
- 1.5 : Right
- 1.6 : Top
- 1.7 : Bottom

**1 Claim, 7 Drawing Sheets**

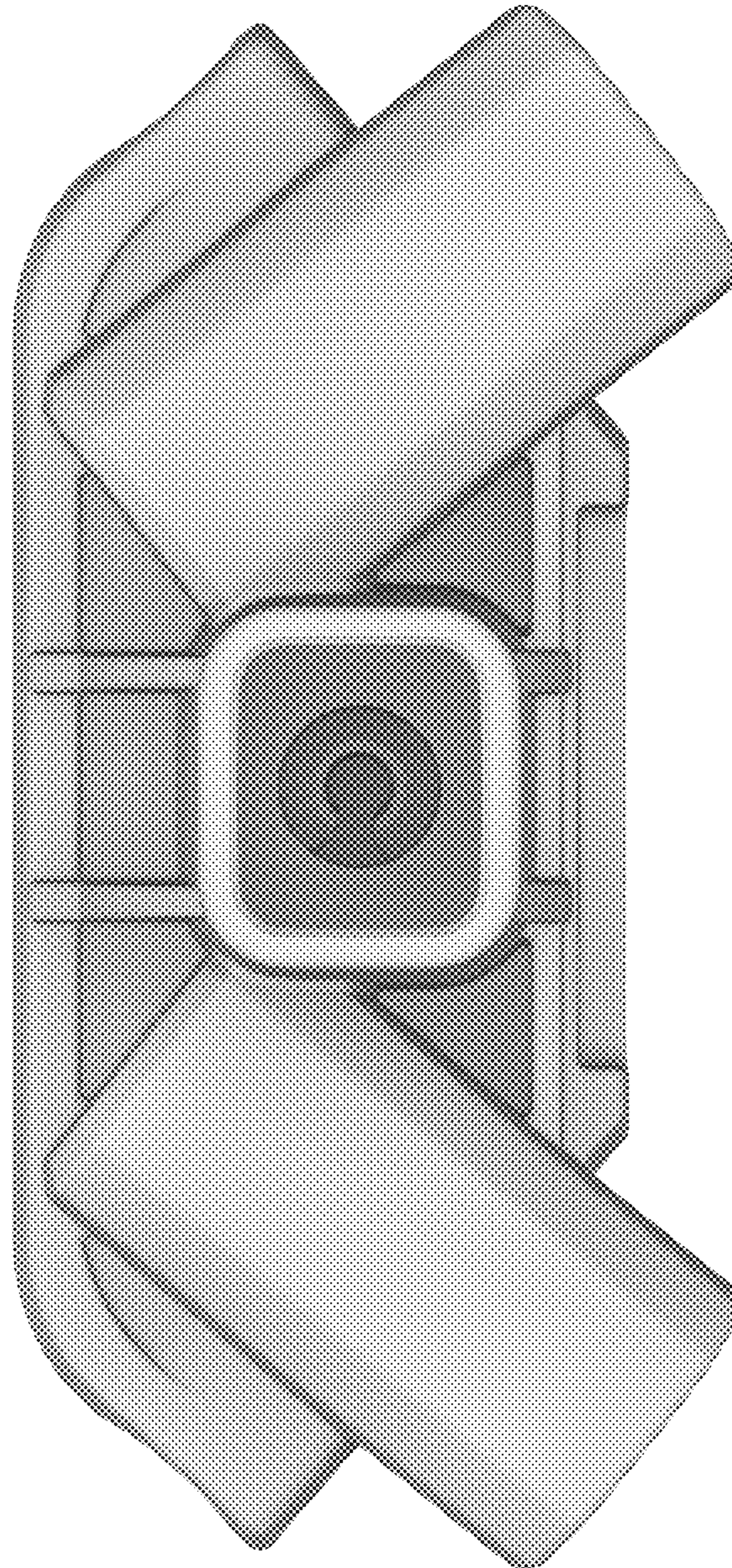




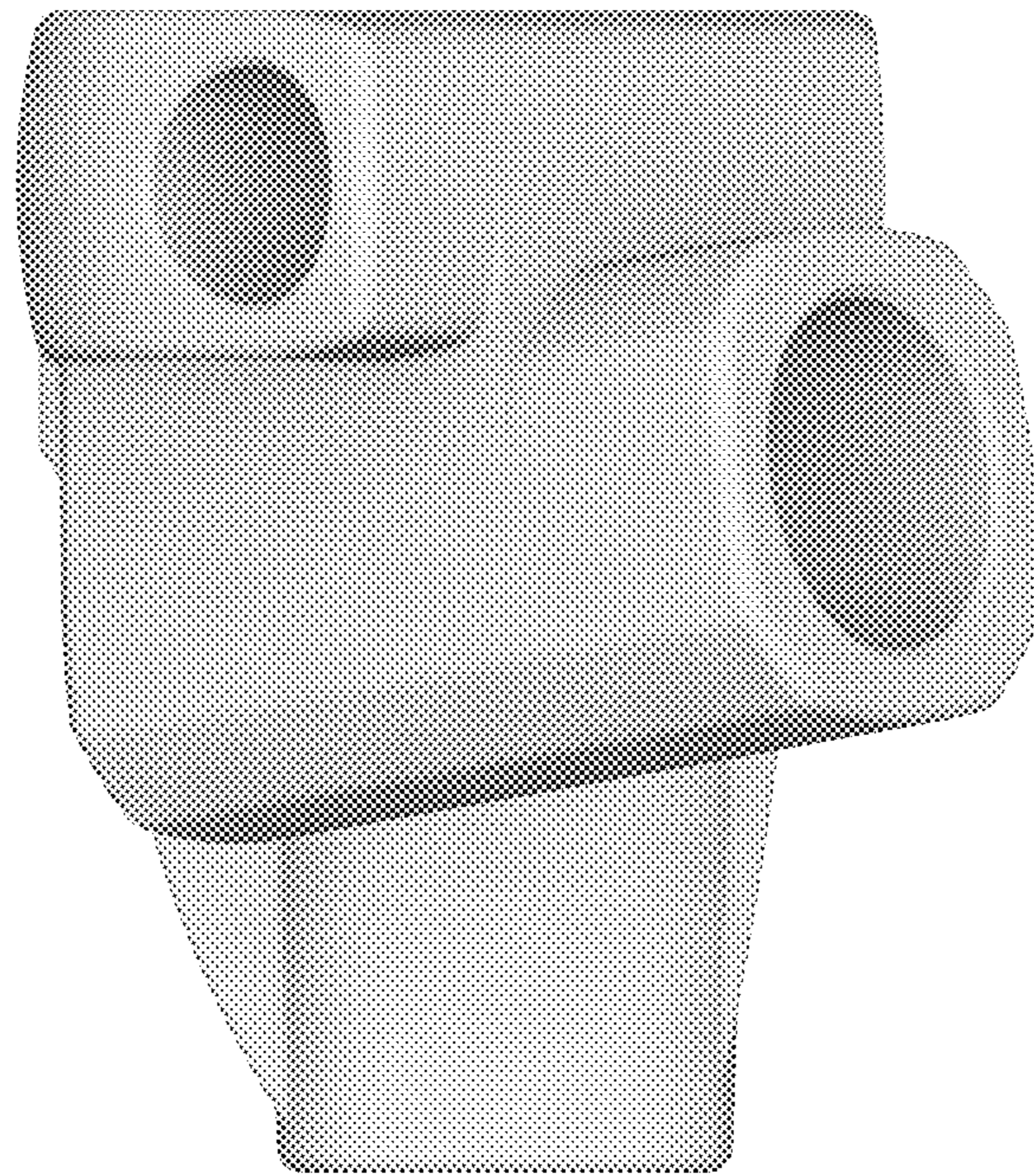
1.1



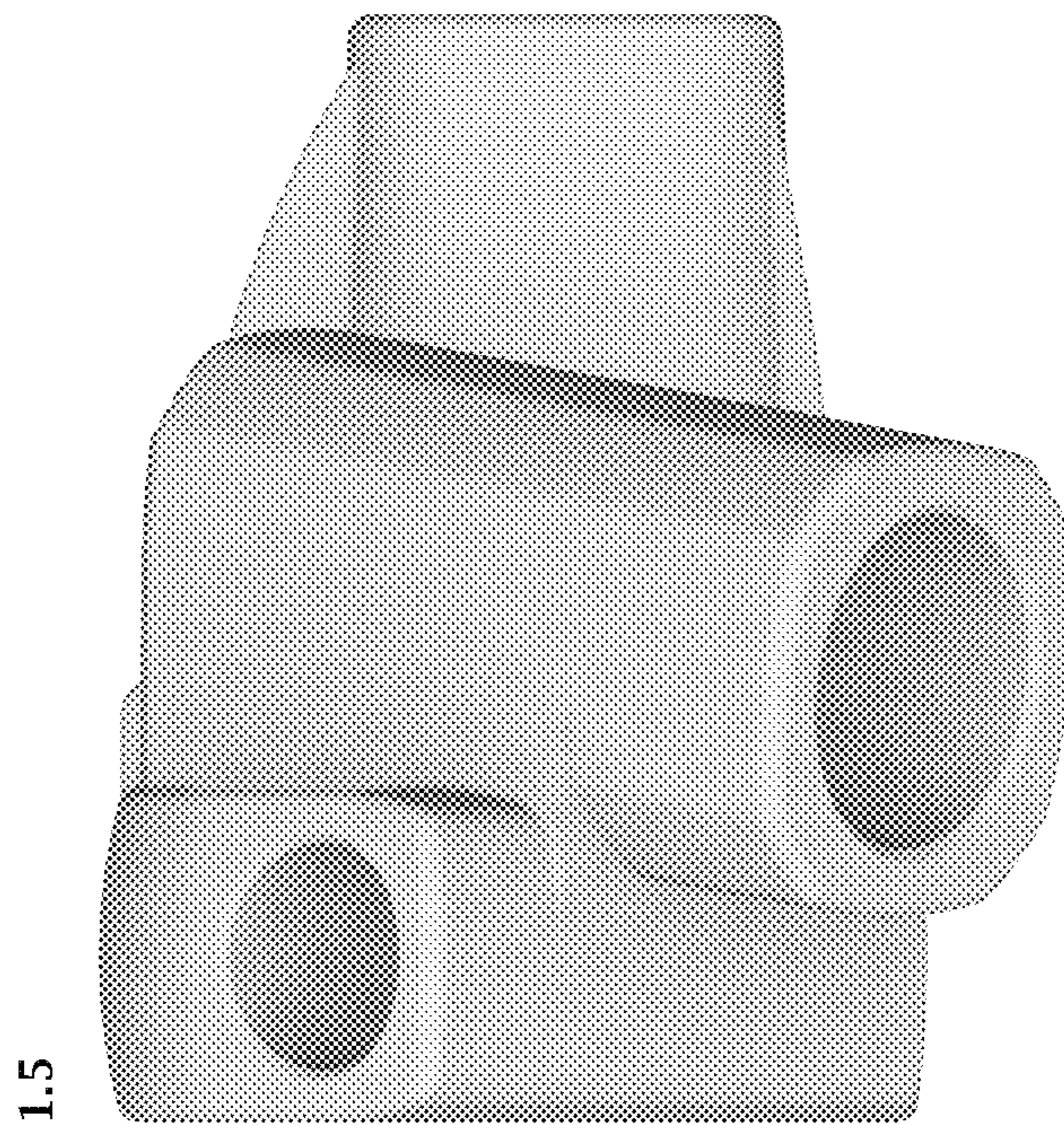
1.2

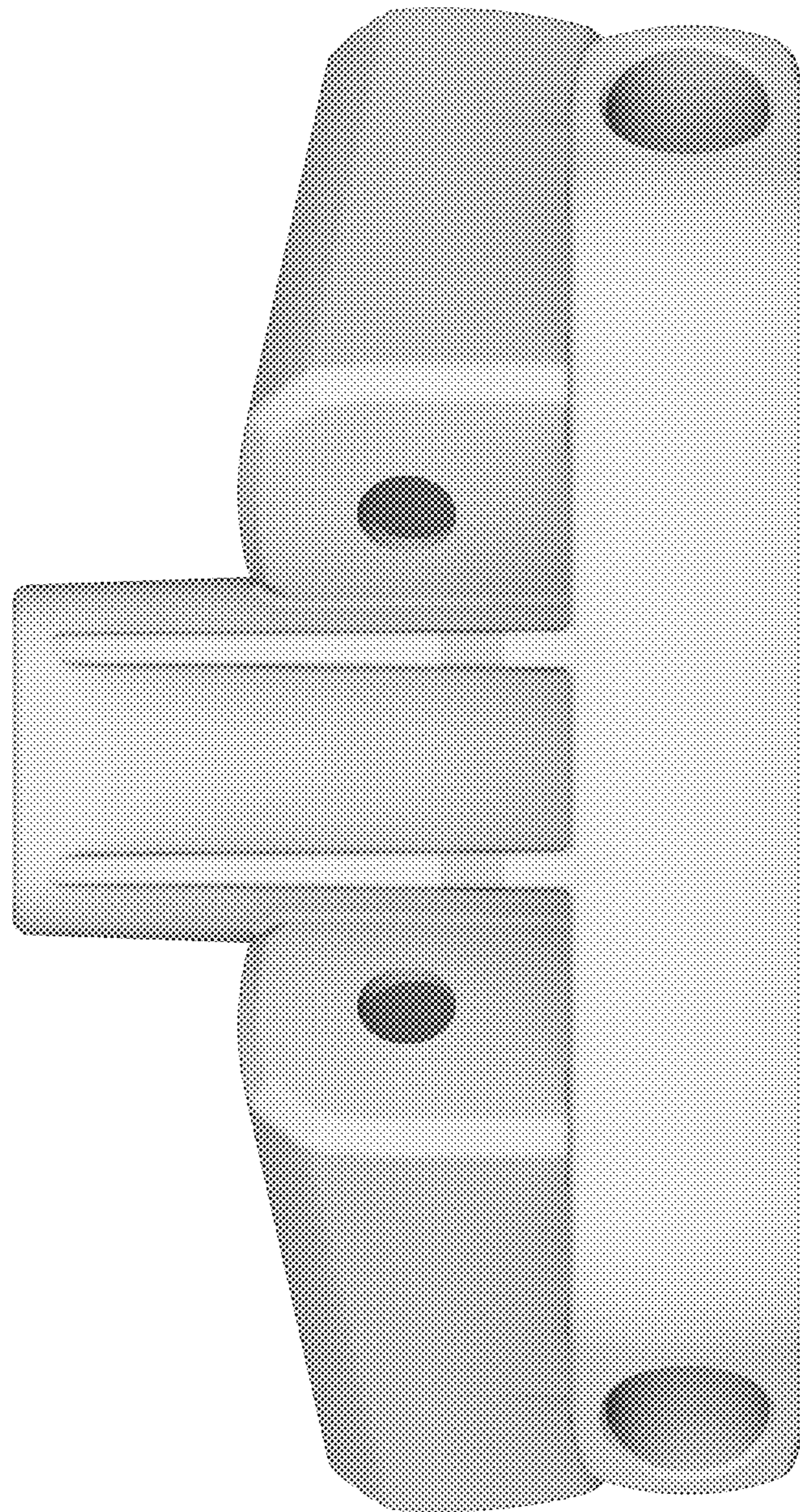


1.3

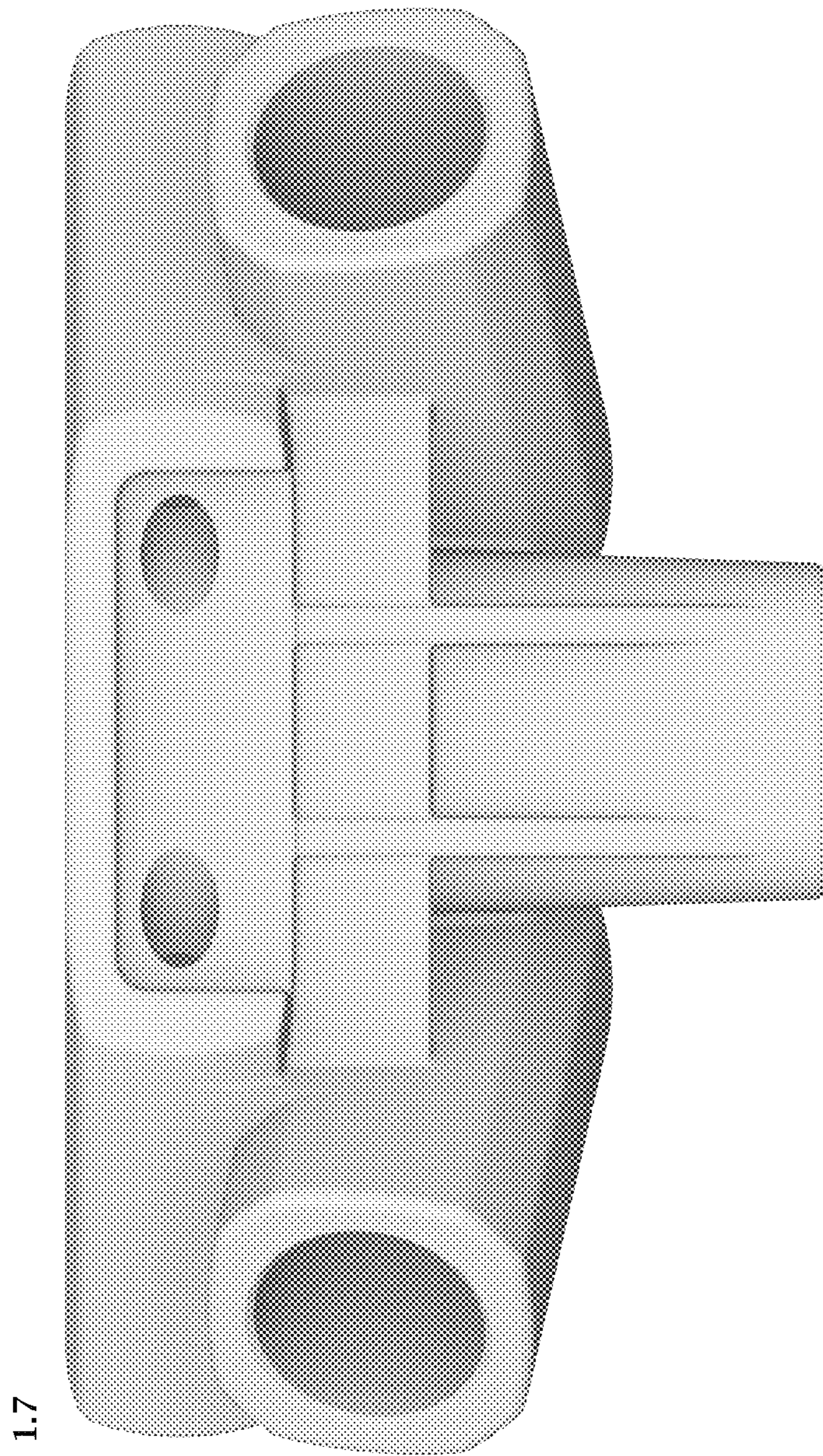


1.4





1.6



1.7