

US00D946390S

(12) **United States Design Patent** (10) **Patent No.:** **US D946,390 S**  
**Axelsson** (45) **Date of Patent:** **\*\* Mar. 22, 2022**

(54) <b>FASTENING ELEMENT</b>	8,011,628 B1 *	9/2011	Suddeth	H01Q 1/12 248/225.11
(71) Applicant: <b>MAFI AB</b> , Mora (SE)	D730,331 S *	5/2015	Wong	D14/238
(72) Inventor: <b>Andreas Axelsson</b> , Malung (SE)	D757,521 S *	5/2016	Rosner	D8/354
(73) Assignee: <b>MAFI AB</b> , Mora (SE)	D876,201 S *	2/2020	Waszdahl	D8/349
(**) Term: <b>15 Years</b>	D876,211 S *	2/2020	Waszdahl	D8/382
(21) Appl. No.: <b>29/763,999</b>	D879,217 S *	3/2020	Dunahay	D21/686
(22) Filed: <b>Dec. 28, 2020</b>	D886,573 S *	6/2020	Axelsson	D8/382
(30) <b>Foreign Application Priority Data</b>	D907,991 S *	1/2021	Axelsson	D8/382
Jun. 26, 2020 (EM) ..... 008023378-0001	D914,660 S *	3/2021	Chen	D14/239
(51) <b>LOC (13) Cl.</b> ..... <b>08-08</b>	D915,867 S *	4/2021	Axelsson	D8/349
(52) <b>U.S. Cl.</b>	D927,293 S *	8/2021	Axelsson	D8/382
USPC ..... <b>D8/382</b>	D927,294 S *	8/2021	Axelsson	D8/382
(58) <b>Field of Classification Search</b>	D931,717 S *	9/2021	Axelsson	D8/382
USPC ..... D8/16, 71, 72, 380, 381, 382, 349, 354, D8/394; D10/103, 121; D13/133, 149, D13/154	2002/0003504 A1 *	1/2002	Yoshida	H01Q 1/1207 343/892
CPC ..... H01Q 1/12; H01Q 1/1207; H01Q 1/1228; H01Q 1/125; F16L 3/02; F16L 3/10; F16L 3/1016; F16L 3/1091; F16B 2/12; F16B 2/065; F16B 7/00; F16B 7/04; F16B 7/0446; F16B 7/0486; F16M 13/022	2002/0105477 A1 *	8/2002	Bragg	H01Q 19/13 343/892

(Continued)

**FOREIGN PATENT DOCUMENTS**

WO WO-2019174717 A1 \* 9/2019 ..... H01Q 1/084  
*Primary Examiner* — Sandra Snapp  
*Assistant Examiner* — Ieisha N Price  
 (74) *Attorney, Agent, or Firm* — Nixon & Vanderhye P.C.

(57) **CLAIM**

The ornamental design for a fastening element, as shown and described.

**DESCRIPTION**

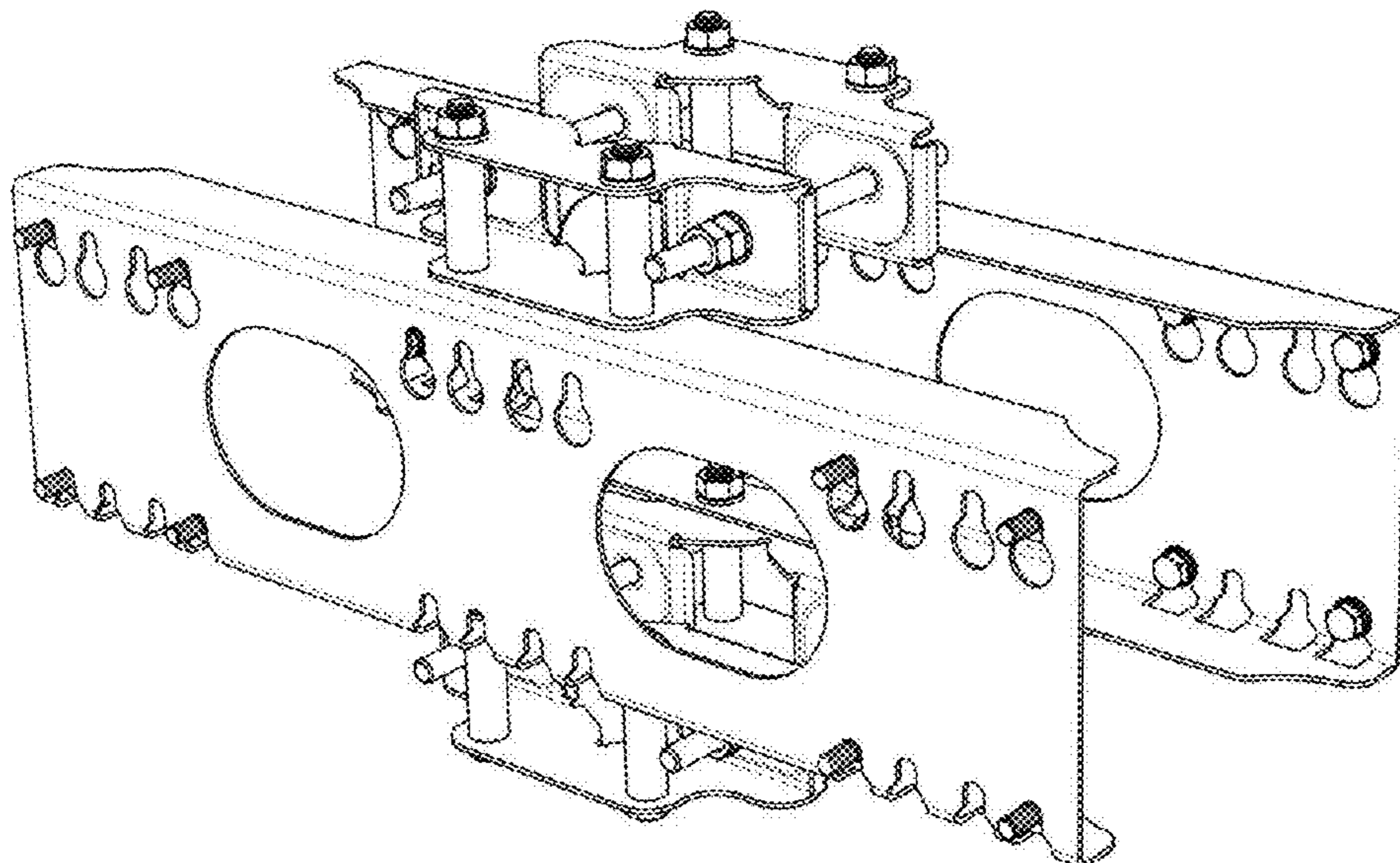
FIG. 1 is a top, back, right side perspective view of a fastening element;  
 FIG. 2 is a bottom, front, left side perspective view thereof;  
 FIG. 3 is a back view thereof;  
 FIG. 4 is a front view thereof;  
 FIG. 5 is a top view thereof;  
 FIG. 6 is a bottom view thereof; and,  
 FIG. 7 is a right side view thereof, the left side view being a mirror image of.

**1 Claim, 4 Drawing Sheets**

(56) **References Cited**

**U.S. PATENT DOCUMENTS**

D296,545 S *	7/1988	Sachs	D13/149
D309,560 S *	7/1990	Warlick	D8/355
6,273,377 B1 *	8/2001	Archer	F16B 2/065 248/218.4
D477,210 S *	7/2003	Callahan	D8/349
D553,483 S *	10/2007	Grey	D8/380



(56)

**References Cited**

U.S. PATENT DOCUMENTS

2002/0196195	A1 *	12/2002	Vermette .....	H01Q 1/125 343/882
2010/0025559	A1 *	2/2010	Rathbone .....	H01Q 1/1228 248/534
2011/0083399	A1 *	4/2011	Lettkeman .....	H01Q 1/1228 52/745.21
2011/0168855	A1 *	7/2011	Bonczyk .....	H01Q 1/1207 248/201
2014/0266943	A1 *	9/2014	Thomson .....	H01Q 1/125 343/765
2014/0346294	A1 *	11/2014	Lewry .....	H01Q 1/125 248/201
2016/0014843	A1 *	1/2016	Burrell .....	H04W 88/08 455/561
2016/0211569	A1 *	7/2016	Skrepcinski .....	H01Q 1/1228
2016/0294036	A1 *	10/2016	Christie .....	H01Q 1/125
2016/0312951	A1 *	10/2016	Zhai .....	F16B 2/065
2016/0322697	A1 *	11/2016	Skrepcinski .....	H01Q 1/1235
2017/0211745	A1 *	7/2017	Alban .....	F16M 11/2092
2017/0264005	A1 *	9/2017	Roy .....	H01Q 1/1228
2018/0083337	A1 *	3/2018	Roy .....	H01Q 1/1228
2018/0115047	A1 *	4/2018	Tsukada .....	H01Q 1/12
2019/0203878	A1 *	7/2019	Deng .....	H04B 1/38
2019/0390817	A1 *	12/2019	Pei .....	F16M 11/10
2020/0096135	A1 *	3/2020	Witherbee .....	F16L 3/1091
2020/0185827	A1 *	6/2020	Kaistha .....	H01Q 1/246
2020/0318674	A1 *	10/2020	Axelsson .....	F16B 37/047
2020/0321678	A1 *	10/2020	Renilson .....	H01Q 1/1228
2021/0066779	A1 *	3/2021	Udagave .....	H01Q 1/246
2021/0075083	A1 *	3/2021	Udagave .....	H01Q 1/125
2021/0111474	A1 *	4/2021	Kolokotronis .....	H01Q 1/246
2021/0167589	A1 *	6/2021	Klein .....	H05K 7/02
2021/0190237	A1 *	6/2021	Bell .....	H01Q 1/1228
2021/0194109	A1 *	6/2021	Shao .....	H01Q 3/08
2021/0301975	A1 *	9/2021	Klegin .....	F16B 2/065
2021/0310610	A1 *	10/2021	Fehr .....	F16M 11/041
2021/0328322	A1 *	10/2021	Walker .....	H01Q 3/08
2021/0336322	A1 *	10/2021	Isambard .....	H01Q 1/125

\* cited by examiner

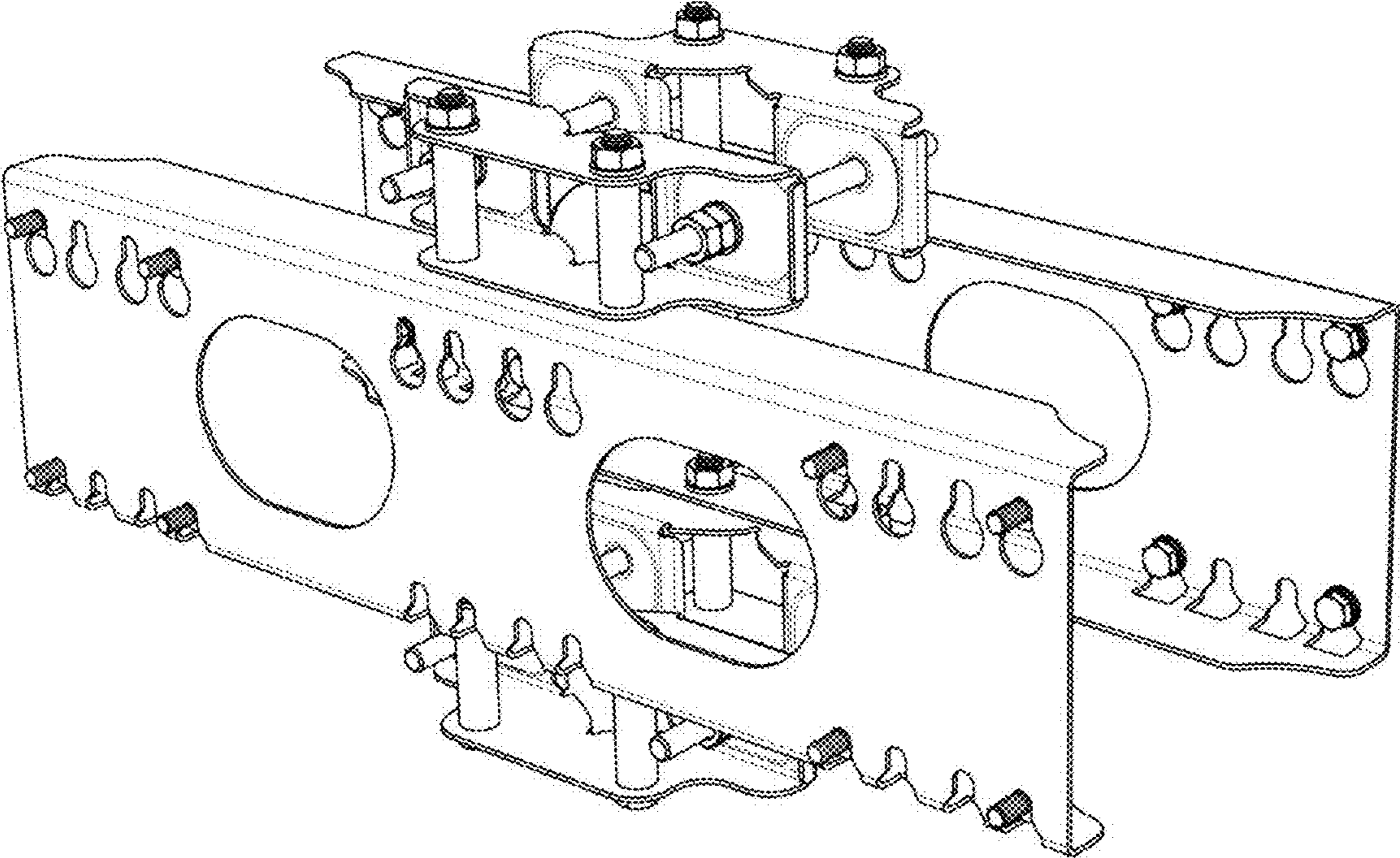


FIG. 1

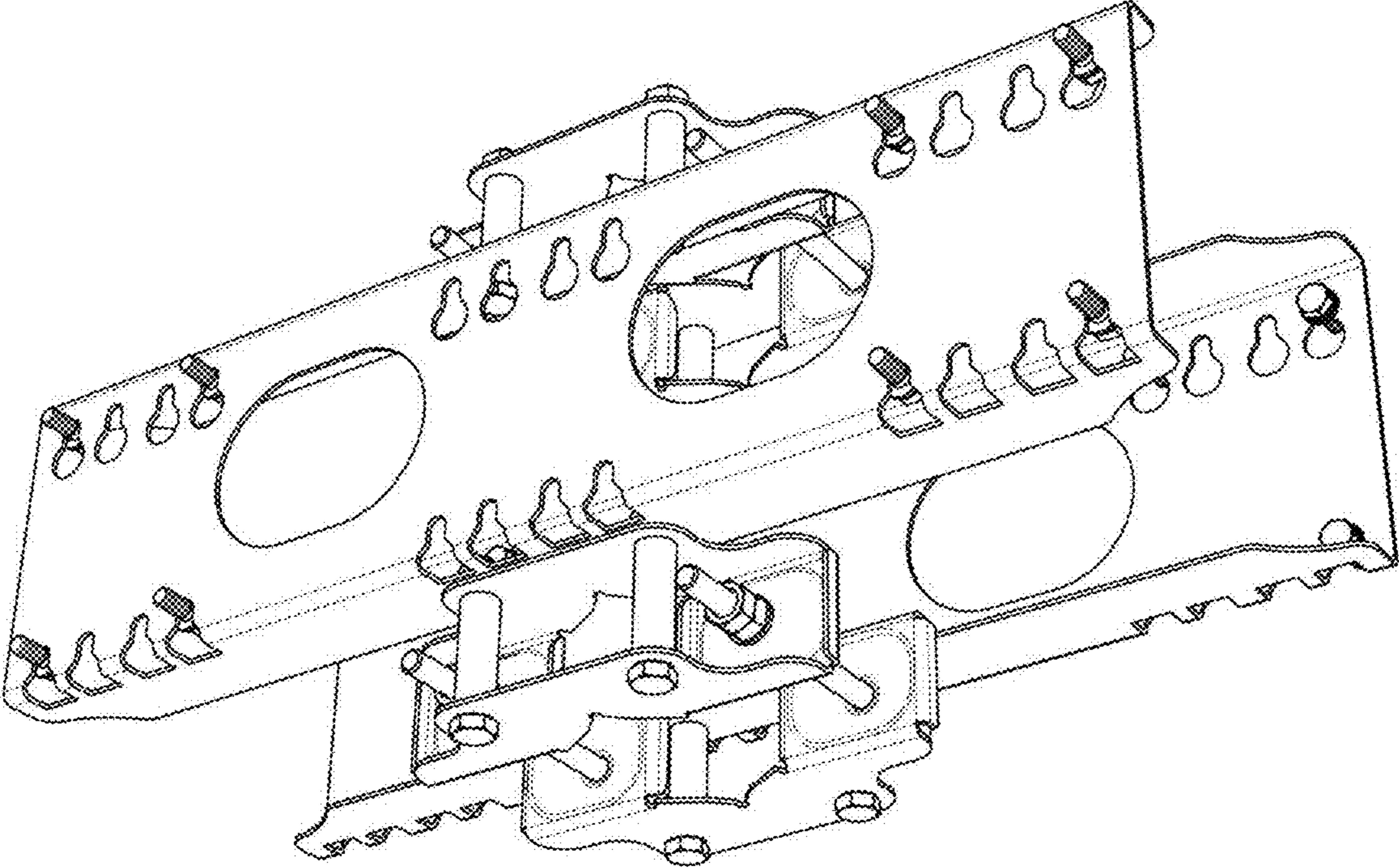
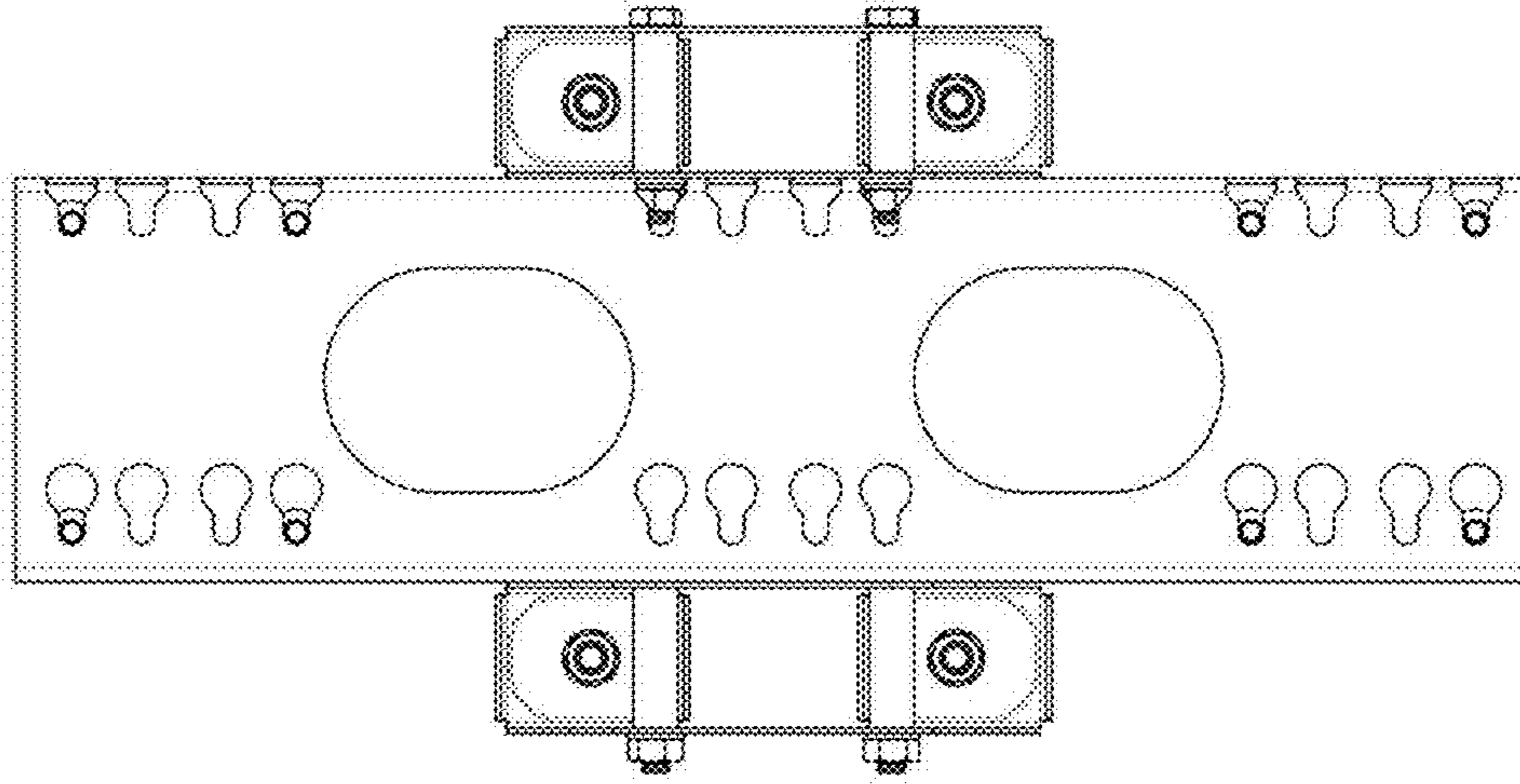
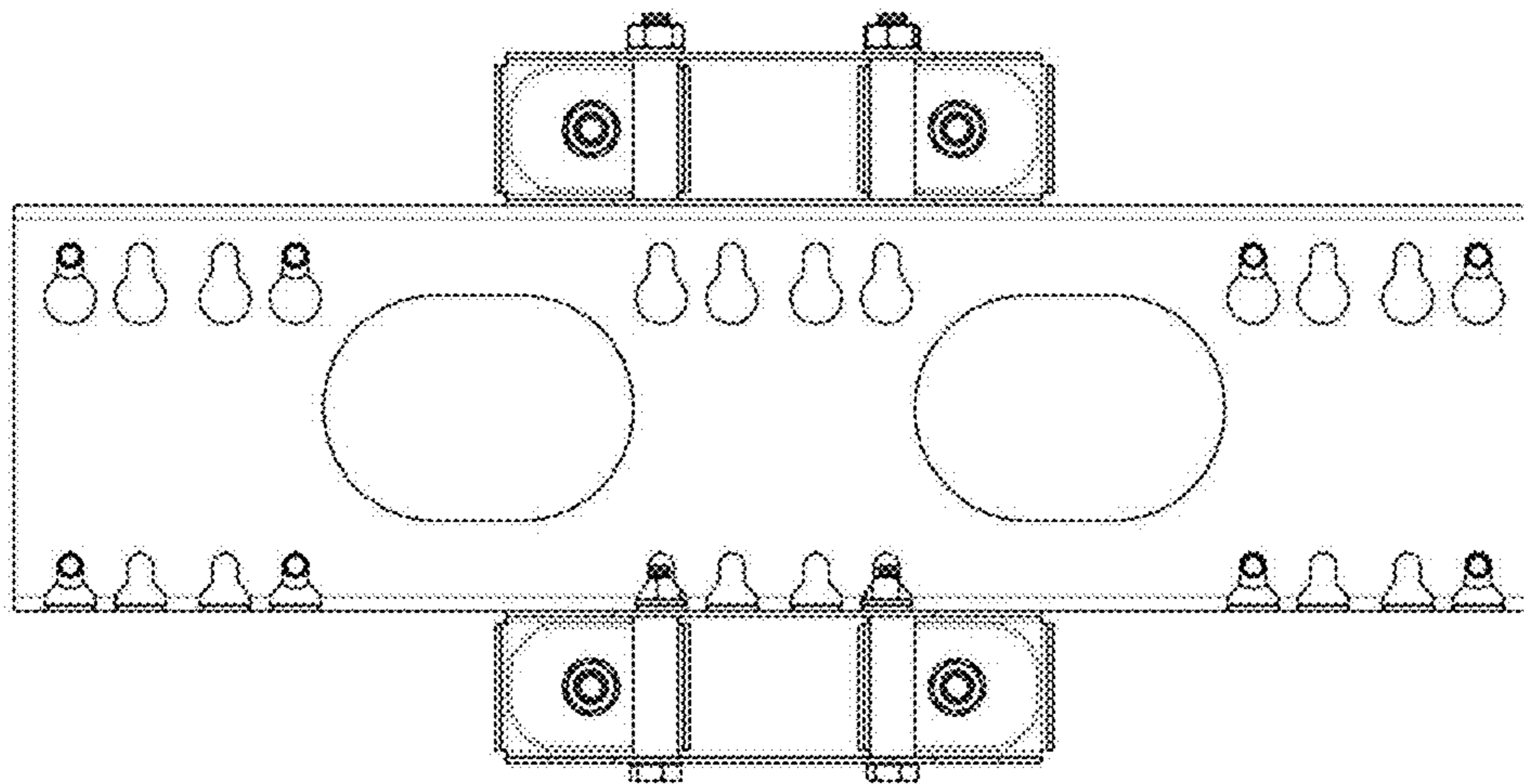


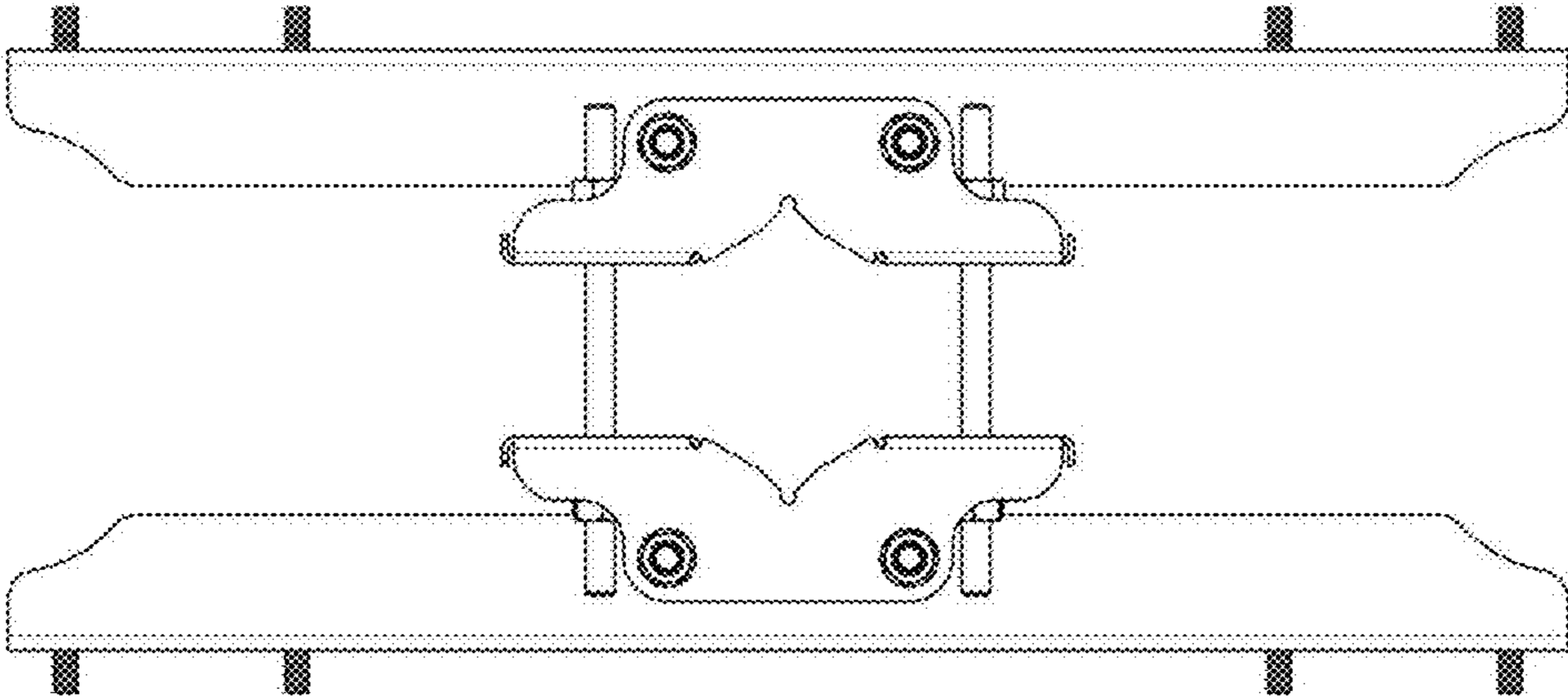
FIG. 2



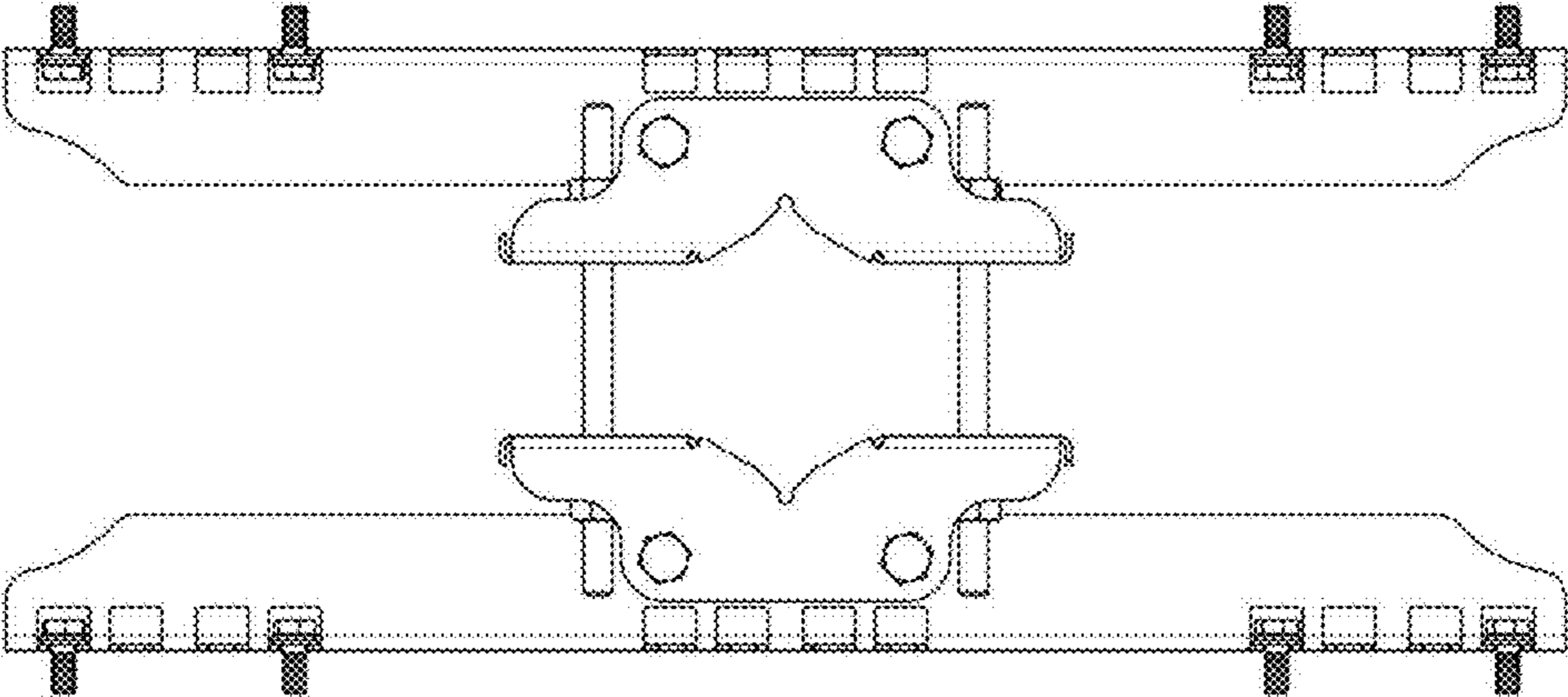
**FIG. 3**



**FIG. 4**



**FIG. 5**



**FIG. 6**

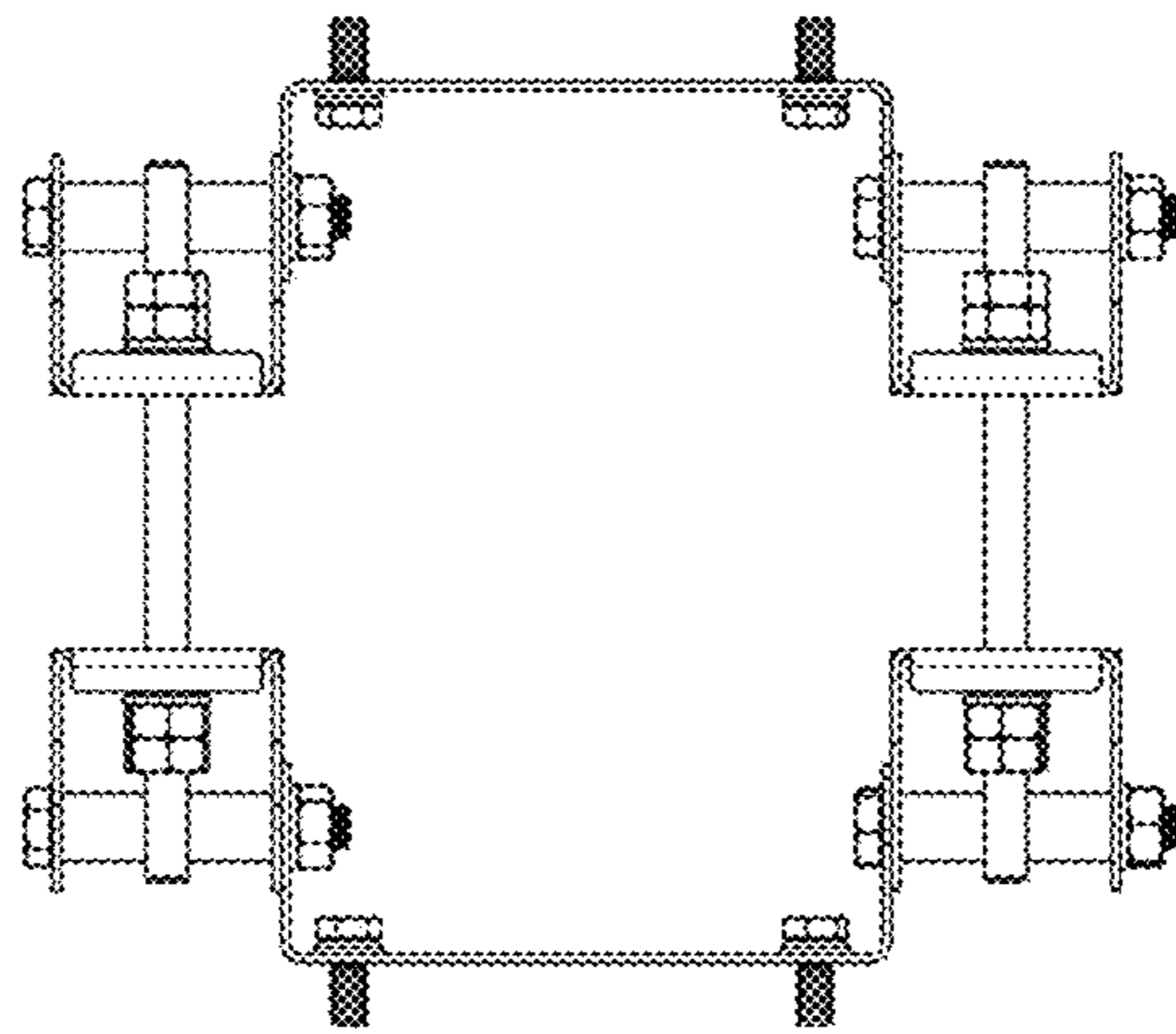


FIG. 7