

US00D946389S

(12) **United States Design Patent**
Boberg

(10) **Patent No.:** **US D946,389 S**
(45) **Date of Patent:** **** Mar. 22, 2022**

(54) **FASTENING DEVICE**

(71) Applicant: **MAFI AB**, Mora (SE)

(72) Inventor: **Daniel Boberg**, Älvdalen (SE)

(73) Assignee: **MAFI AB**, Mora (SE)

(**) Term: **15 Years**

(21) Appl. No.: **29/761,401**

(22) Filed: **Dec. 9, 2020**

(30) **Foreign Application Priority Data**

Jun. 9, 2020 (EM) 007992243-0001

(51) **LOC (13) Cl.** **08-08**

(52) **U.S. Cl.**
USPC **D8/382**

(58) **Field of Classification Search**
USPC D8/16, 71, 72, 380, 381, 382, 349, 354,
D8/394; D10/103, 121; D13/133, 149,
D13/154

CPC H01Q 1/12; H01Q 1/1207; H01Q 1/1228;
H01Q 1/125; F16L 3/02; F16L 3/10;
F16L 3/1016; F16L 3/1091; F16B 2/12;
F16B 2/065; F16B 7/00; F16B 7/04;
F16B 7/0446; F16B 7/0486; F16M
13/022

See application file for complete search history.

(56) **References Cited**

U.S. PATENT DOCUMENTS

D257,663 S * 12/1980 McKee D8/354
D257,664 S * 12/1980 McKee D8/354
D296,075 S * 6/1988 Jones D15/7
D309,706 S * 8/1990 Propp D8/354
D342,011 S * 12/1993 Maguire D8/349
D438,448 S * 3/2001 Batting D8/354
D477,210 S * 7/2003 Callahan D8/349
D507,959 S * 8/2005 Mottini D8/354

D521,855 S * 5/2006 Taylor D24/110
D560,677 S * 1/2008 Wohlford D14/451
D561,189 S * 2/2008 Wohlford D14/451
8,011,628 B1 * 9/2011 Suddeth H01Q 1/12
248/225.11
D686,486 S * 7/2013 Densmore D8/349
D732,373 S * 6/2015 Wagner D8/349
9,045,898 B2 * 6/2015 Ravnaas E04B 2/7409
D742,213 S * 11/2015 Sasanecki D8/396
10,527,223 B2 * 1/2020 Fruh F16M 13/02
D876,201 S * 2/2020 Wassdahl D8/349
D886,572 S * 6/2020 Axelsson D8/382
D902,701 S * 11/2020 Smith D8/366

(Continued)

FOREIGN PATENT DOCUMENTS

FR 2793607 A1 * 11/2000 H01Q 1/1207

OTHER PUBLICATIONS

MAFi; Mounting Description Dual ERS bracket product brochure:
2019, 2 pages, Retrieved on Nov. 1, 2021 (online).*

Primary Examiner — Sandra Snapp

Assistant Examiner — Ieisha N Price

(74) *Attorney, Agent, or Firm* — Nixon & Vanderhye P.C.

(57) **CLAIM**

The ornamental design for a fastening device, as shown and described.

DESCRIPTION

FIG. 1 is a front, top, right side perspective view of a fastening device;

FIG. 2 is a rear, bottom, left side perspective view thereof;

FIG. 3 is a bottom view thereof;

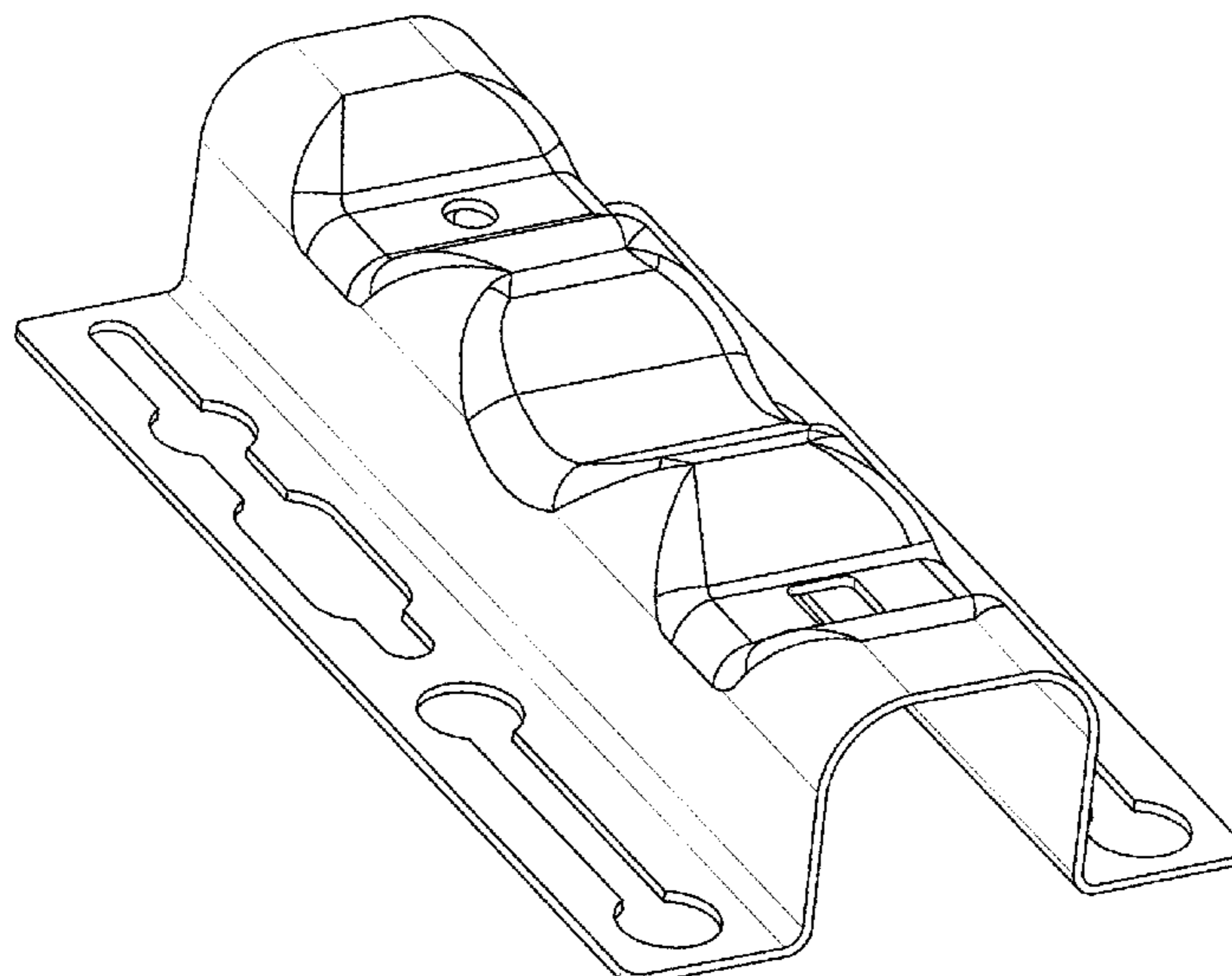
FIG. 4 is a top view thereof;

FIG. 5 is a front view thereof;

FIG. 6 is a rear view thereof; and,

FIG. 7 is a right side view thereof, the left side view being a mirror image of.

1 Claim, 4 Drawing Sheets



(56)

References Cited

U.S. PATENT DOCUMENTS

D915,867 S * 4/2021 Axelsson D8/349
D916,581 S * 4/2021 Axelsson D8/349
11,038,253 B1 * 6/2021 Tseng H01Q 1/288
D927,293 S * 8/2021 Axelsson D8/382
D931,717 S * 9/2021 Axelsson D8/382
2007/0132655 A1 * 6/2007 Lin H01Q 1/125
343/880
2009/0052128 A1 * 2/2009 Yeh F16M 11/10
361/679.27
2011/0083399 A1 * 4/2011 Lettkeman H01Q 1/1228
52/745.21
2011/0187624 A1 * 8/2011 Lettkeman H01Q 3/02
343/882
2014/0082921 A1 * 3/2014 Adams, Jr. F16B 7/04
29/525.02
2016/0104941 A1 * 4/2016 Lee H01Q 1/1228
343/702
2016/0312943 A1 * 10/2016 Yang F16M 11/18
2016/0322697 A1 * 11/2016 Skrepcinski H01Q 1/1235
2016/0352376 A1 * 12/2016 Shimizu H01Q 1/1228
2016/0369940 A1 * 12/2016 Patil F01N 3/2066
2019/0203878 A1 * 7/2019 Deng H04B 1/38
2019/0207292 A1 * 7/2019 Bailey F16B 45/00
2020/0063910 A1 * 2/2020 Hung F16M 11/24
2020/0096135 A1 * 3/2020 Witherbee F16L 3/1091
2020/0136244 A1 * 4/2020 Chen H01Q 1/002
2020/0318674 A1 * 10/2020 Axelsson F16B 37/047
2020/0321679 A1 * 10/2020 Liu H01Q 1/1228
2021/0167589 A1 * 6/2021 Klein H05K 7/02
2021/0190237 A1 * 6/2021 Bell H01Q 1/1228
2021/0194109 A1 * 6/2021 Shao H01Q 3/08
2021/0301974 A1 * 9/2021 Patel E04H 12/00

* cited by examiner

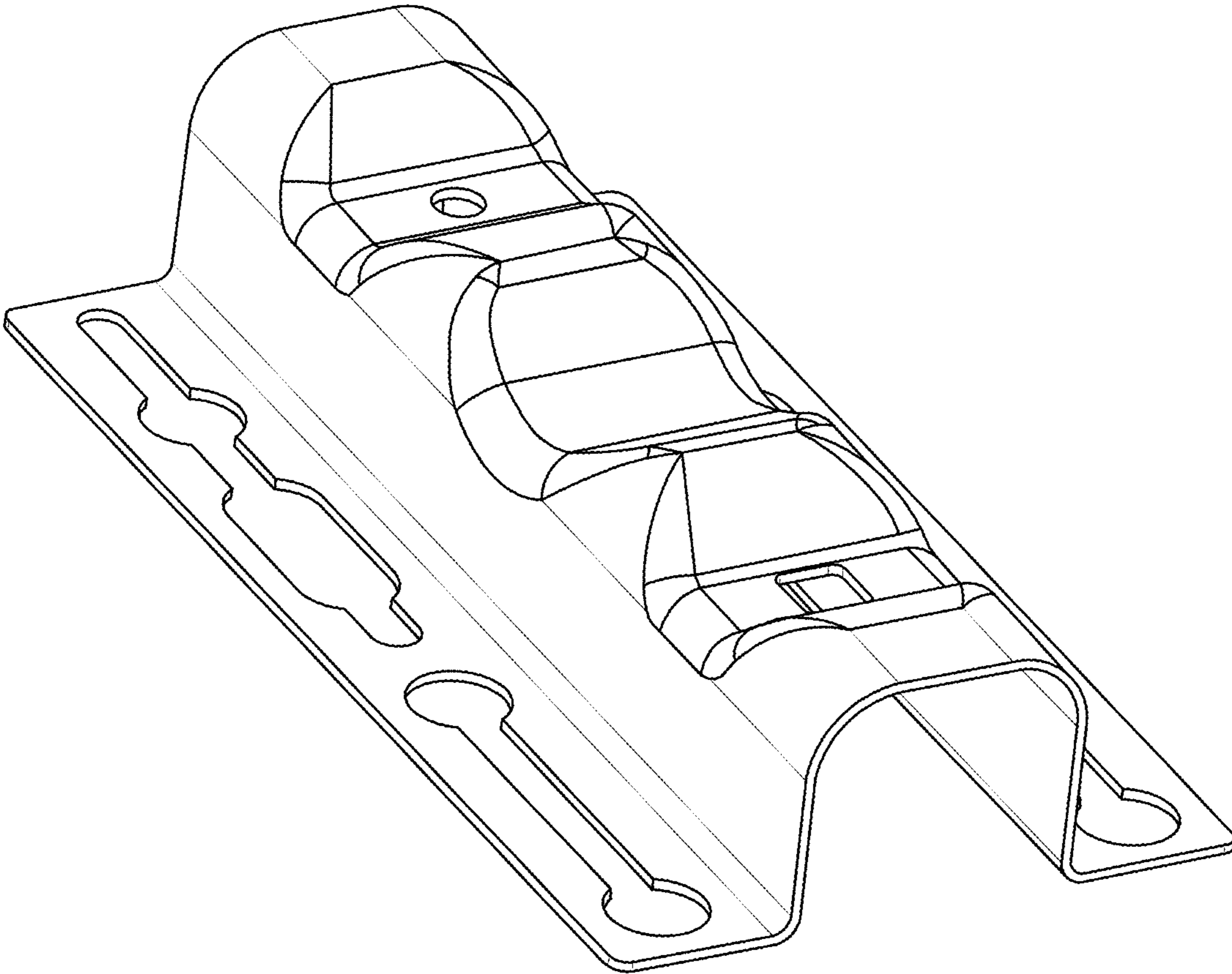


FIG. 1

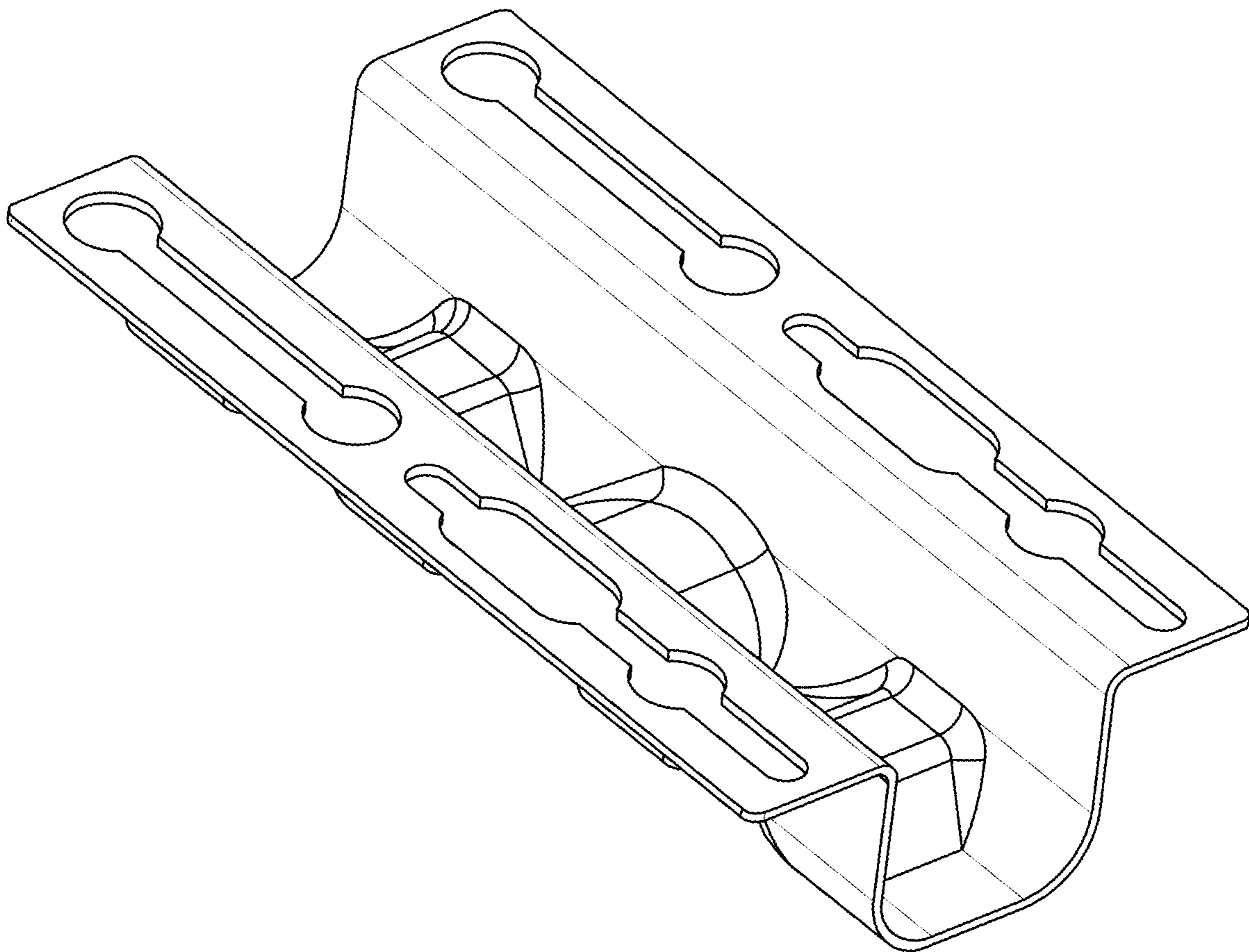


FIG. 2

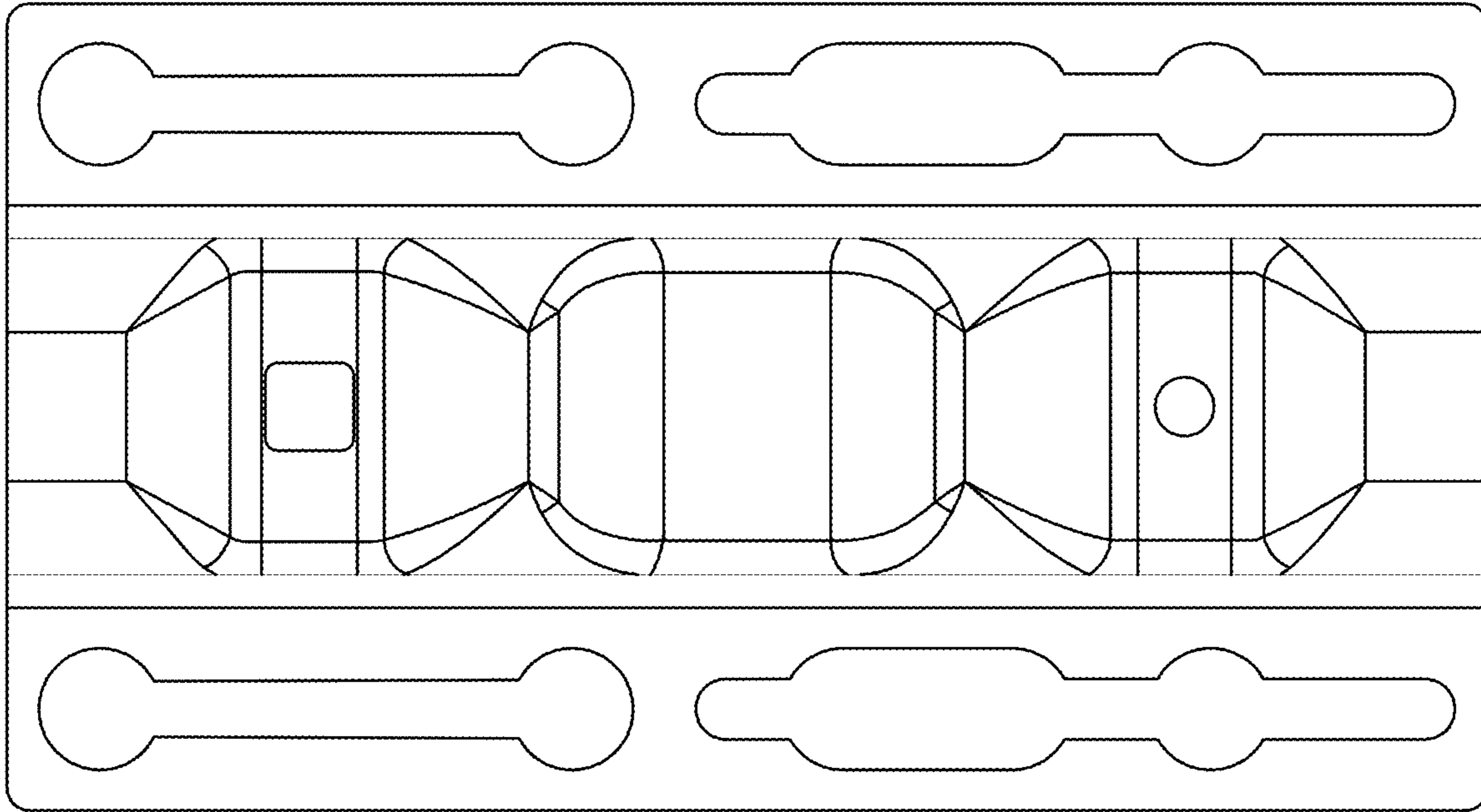


FIG. 3

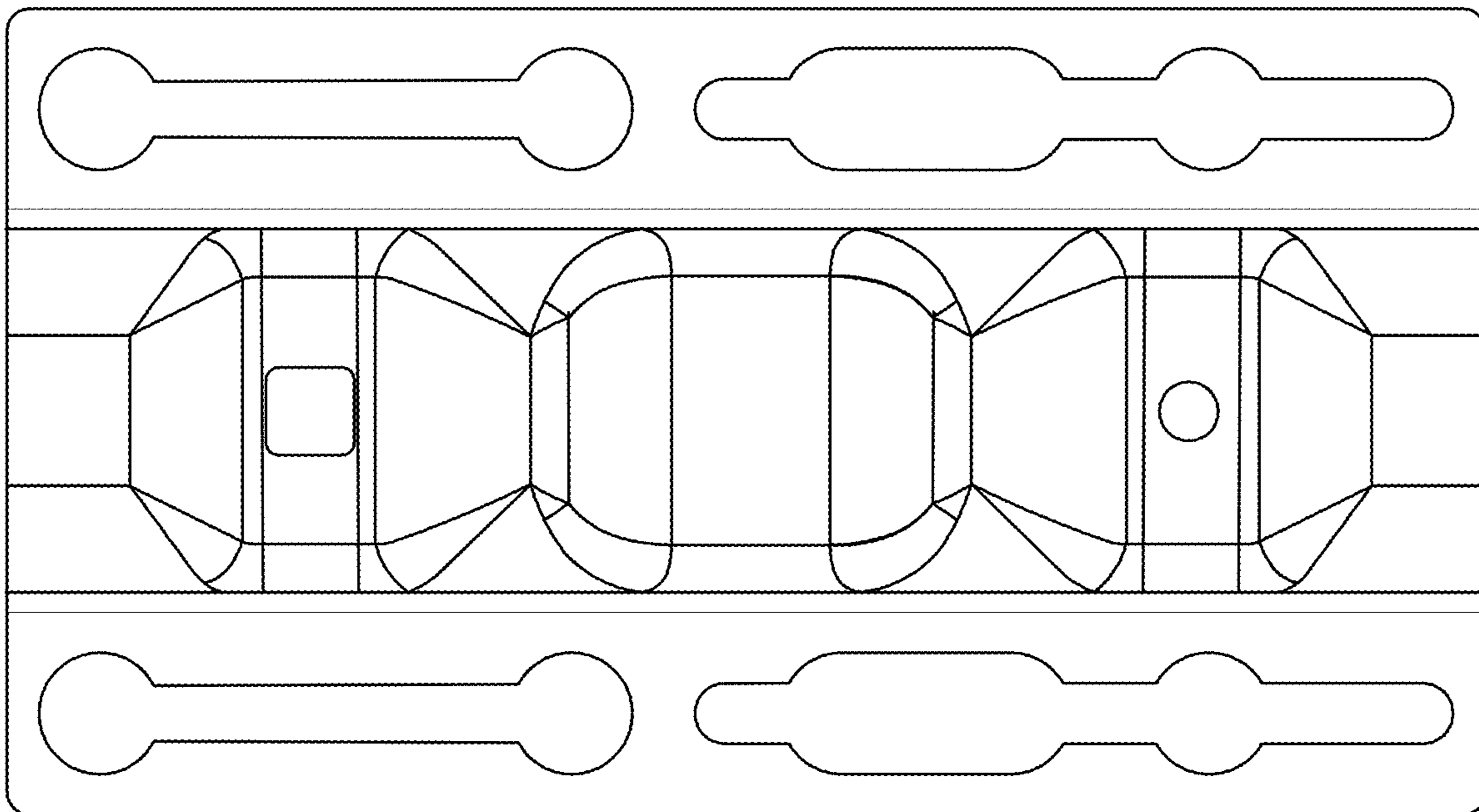


FIG. 4

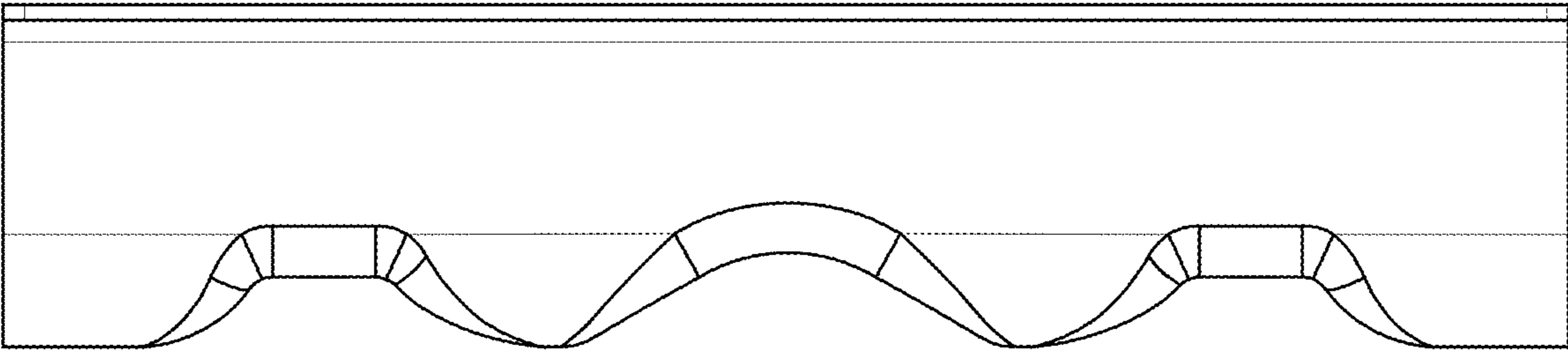


FIG. 5

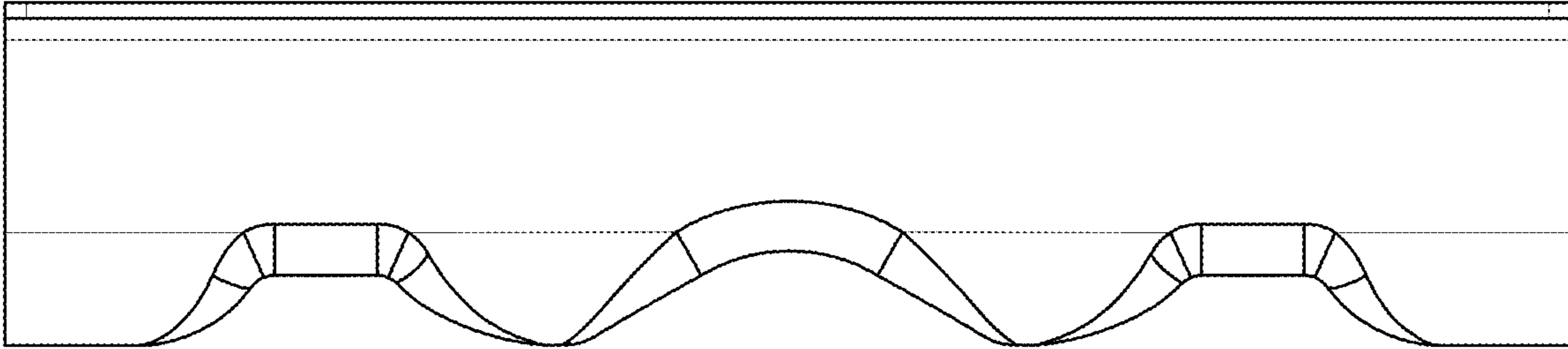


FIG. 6

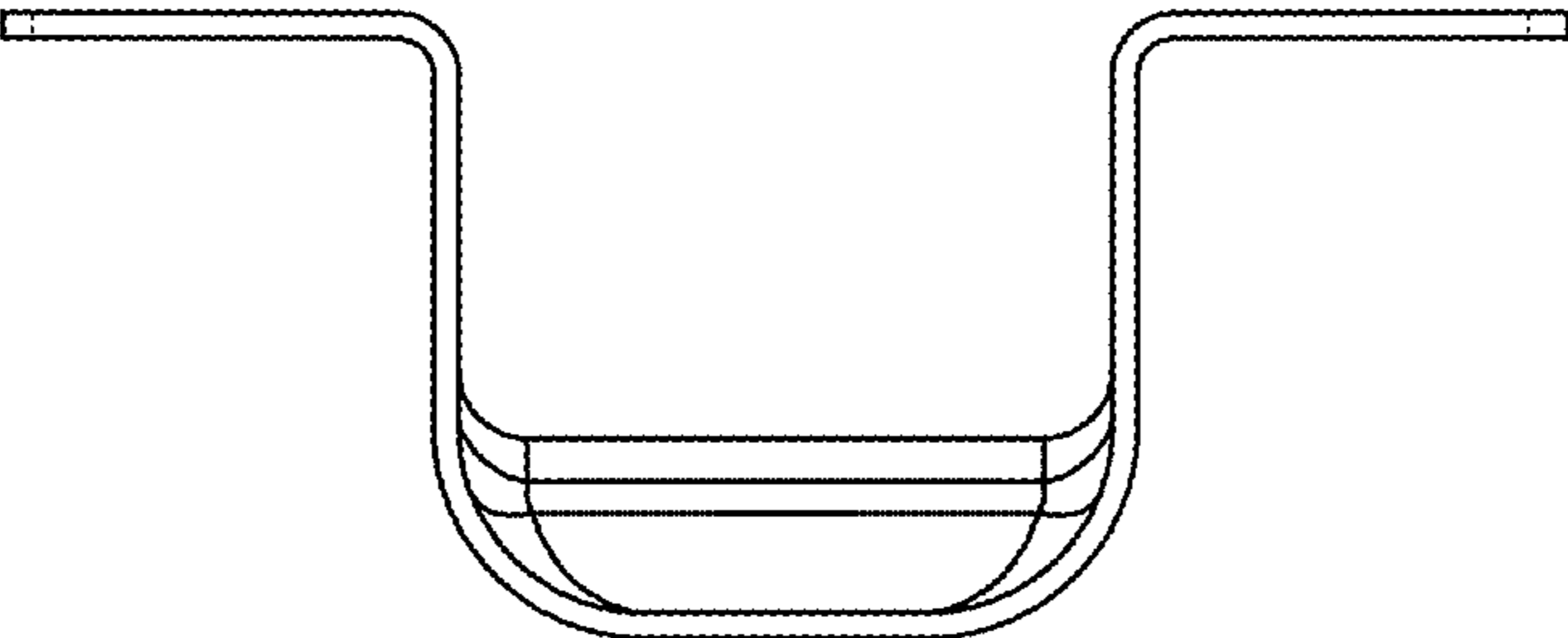


FIG. 7