



US00D946388S

(12) **United States Design Patent** (10) **Patent No.:** **US D946,388 S**  
**Hammon et al.** (45) **Date of Patent:** **\*\* Mar. 22, 2022**

(54) **CUSHION FOR FURNITURE LEG**

D616,289 S \* 5/2010 Frankel ..... D8/374  
D647,391 S \* 10/2011 Barrese ..... D8/373  
D650,262 S \* 12/2011 Hinkle, III ..... D8/374

(71) Applicant: **Creative Ingenuity, LLC**, Salt Lake City, UT (US)

(Continued)

(72) Inventors: **Audrey Ann Hammon**, Salt Lake City, UT (US); **Clayne Dee Wayman**, Grantsville, UT (US)

**OTHER PUBLICATIONS**

“Toe Guard-Bed Bumpers”, Apr. 10, 2012, Amazon.com, site visited Nov. 16, 2021: <https://www.amazon.com/Guard-bed-Bumpers-Against-Injuries-Package/dp/B007SRXQDQ> (Year: 2012).\*

(Continued)

(73) Assignee: **Creative Ingenuity, LLC**, Salt Lake City, UT (US)

(\*\*) Term: **15 Years**

*Primary Examiner* — Jack Reickel

*Assistant Examiner* — Michael A Kervin

(21) Appl. No.: **29/733,417**

(74) *Attorney, Agent, or Firm* — Gurr Brande & Spendlove, PLLC; Robert A. Gurr

(22) Filed: **May 1, 2020**

(51) **LOC (13) Cl.** ..... **08-05**

(52) **U.S. Cl.**  
USPC ..... **D8/374**

(57) **CLAIM**

The ornamental design for a cushion for furniture leg, as shown and described.

(58) **Field of Classification Search**  
USPC ..... D6/610, 710, 718; D8/315, 321, 322, D8/373–375

CPC ..... A47B 91/12; A47C 7/002; Y10T 16/216  
See application file for complete search history.

**DESCRIPTION**

(56) **References Cited**

**U.S. PATENT DOCUMENTS**

D166,618 S *	4/1952	Mince	.....	D6/610
2,744,283 A *	5/1956	Reineman	.....	A47B 91/04
				16/42 R
5,173,990 A *	12/1992	Owen	.....	B60B 33/0002
				16/18 CG
D379,061 S *	5/1997	Williams	.....	D8/374
D433,321 S *	11/2000	Pattengell	.....	D8/402
6,418,578 B1 *	7/2002	Polevoy	.....	A47B 91/00
				16/18 CG
D491,793 S *	6/2004	Corso	.....	D8/374
D512,870 S *	12/2005	Rochon	.....	D6/610
7,124,986 B1 *	10/2006	Bailey	.....	A47B 91/12
				248/188.9
D557,598 S *	12/2007	Hoelting	.....	D8/402

FIG. 1 is a top, side perspective view of a cushion for furniture leg;

FIG. 2 is a top plan view of a cushion for furniture leg;

FIG. 3 is a bottom plan view of a cushion for furniture leg;

FIG. 4 is a side elevation view of a cushion for furniture leg;

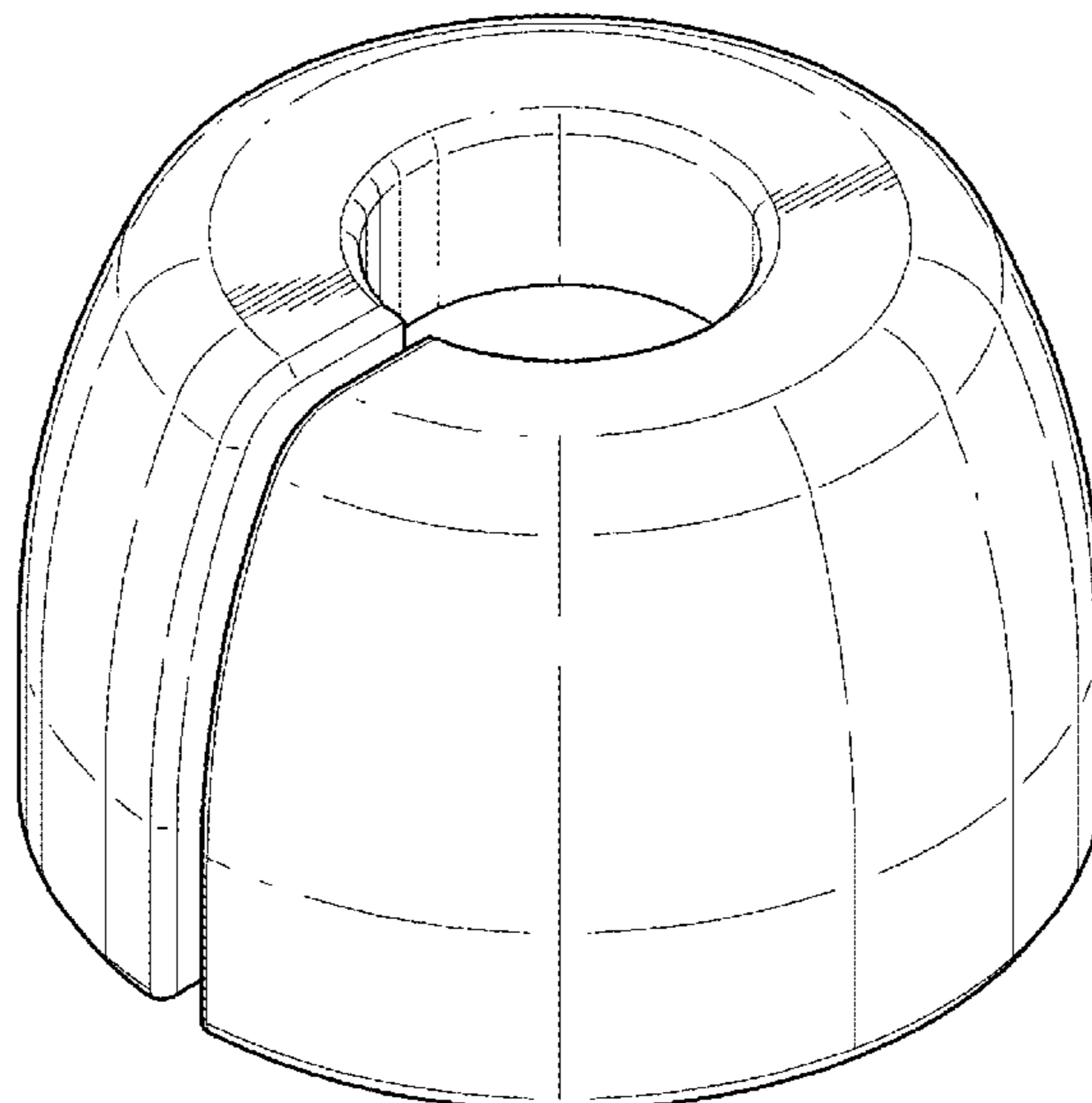
FIG. 5 is a side elevation view of a cushion for furniture leg;

FIG. 6 is a cross-sectional view of a cushion for furniture leg, taken along the lines 6-6 shown in FIG. 4; and,

FIG. 7 is a cross-sectional view of a cushion for furniture leg, taken along the lines 6-6 shown in FIG. 4, shown with environment.

The broken line showing of a furniture leg is for the purpose of illustrating environmental structure and forms no part of the claimed design.

**1 Claim, 4 Drawing Sheets**



(56)

**References Cited**

U.S. PATENT DOCUMENTS

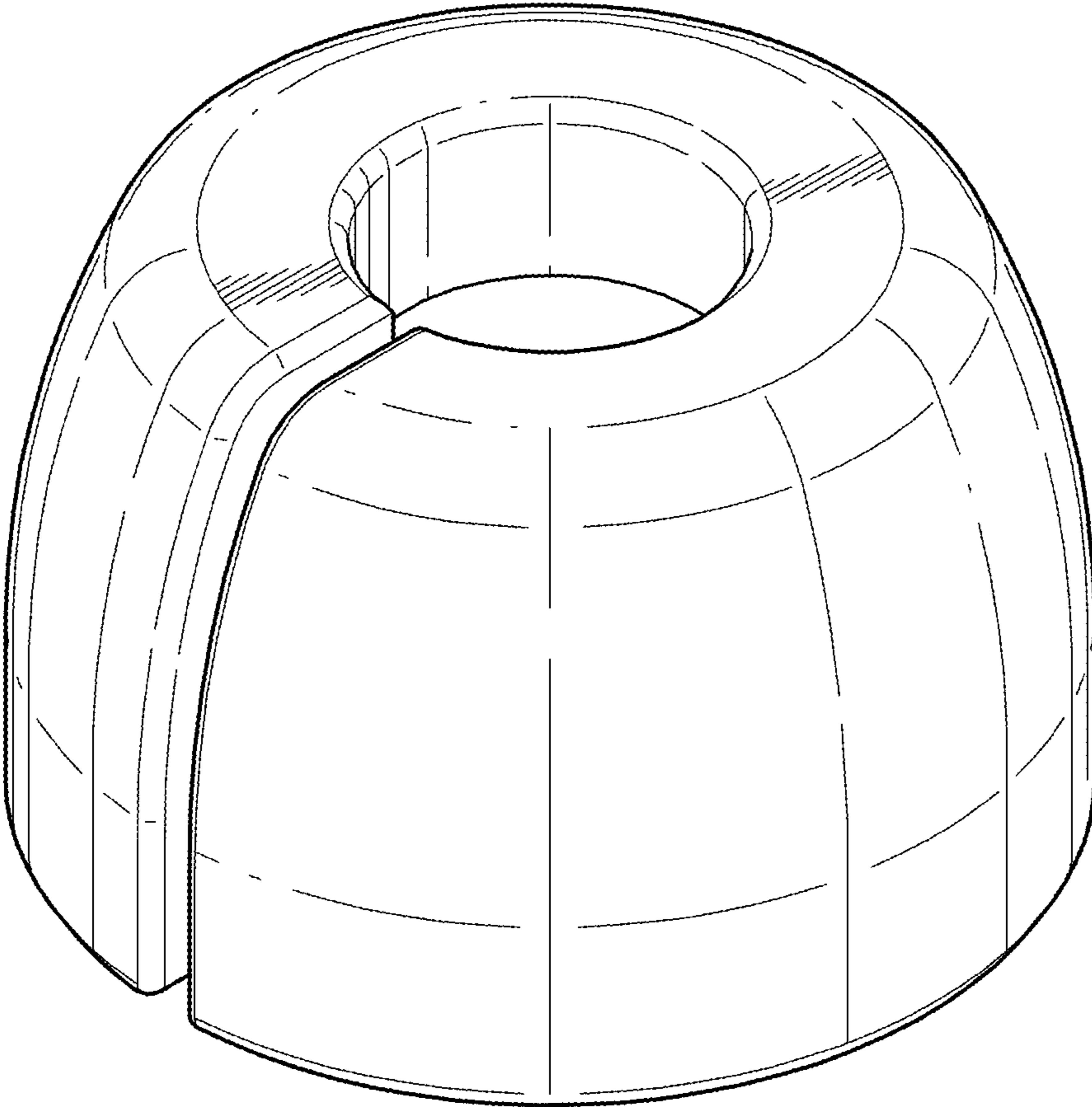
D665,471 S \* 8/2012 Fossum ..... D21/753  
D668,942 S \* 10/2012 McGarry ..... D8/374  
D682,078 S \* 5/2013 Chase ..... D8/374  
D703,030 S \* 4/2014 Seehoff ..... D8/374  
D774,384 S \* 12/2016 Dombkova ..... D8/375  
D931,092 S \* 9/2021 Tu ..... D8/374  
2007/0220703 A1 \* 9/2007 LaPointe ..... A47B 91/06  
16/42 R  
2008/0258023 A1 \* 10/2008 Desmarais ..... A47C 7/002  
248/188.9  
2012/0061545 A1 \* 3/2012 Schneider ..... A47B 91/00  
248/345.1  
2014/0106099 A1 \* 4/2014 Desmarais ..... A47B 91/002  
428/36.1

OTHER PUBLICATIONS

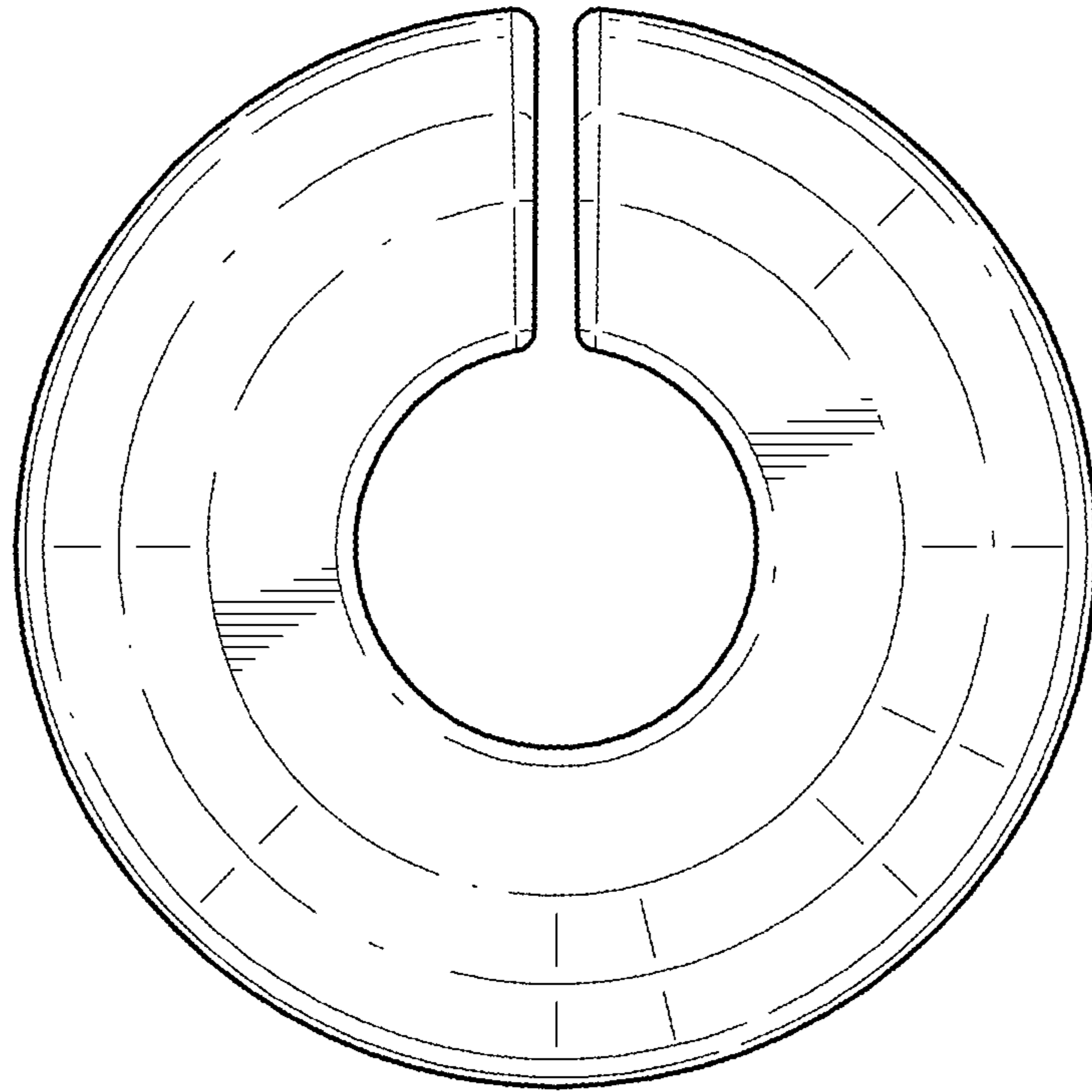
“Bed Leg Toe Cushion”, Sep. 10, 2017, Amazon.com, site visited  
Nov. 16, 2021: [https://www.amazon.com/Cushion-Beige-Prevents-  
injuries-stubs/dp/B075JBFT2H](https://www.amazon.com/Cushion-Beige-Prevents-injuries-stubs/dp/B075JBFT2H) (Year: 2017).\*

“Antrader Non Slip Leg Tips”, May 1, 2018, Amazon.com, site  
visited Nov. 16, 2021: [https://www.amazon.com/Antrader-Silicone-  
Furniture-Protector-3-1-3-6cm/dp/B07JVFBPNB](https://www.amazon.com/Antrader-Silicone-Furniture-Protector-3-1-3-6cm/dp/B07JVFBPNB) (Year: 2018).\*

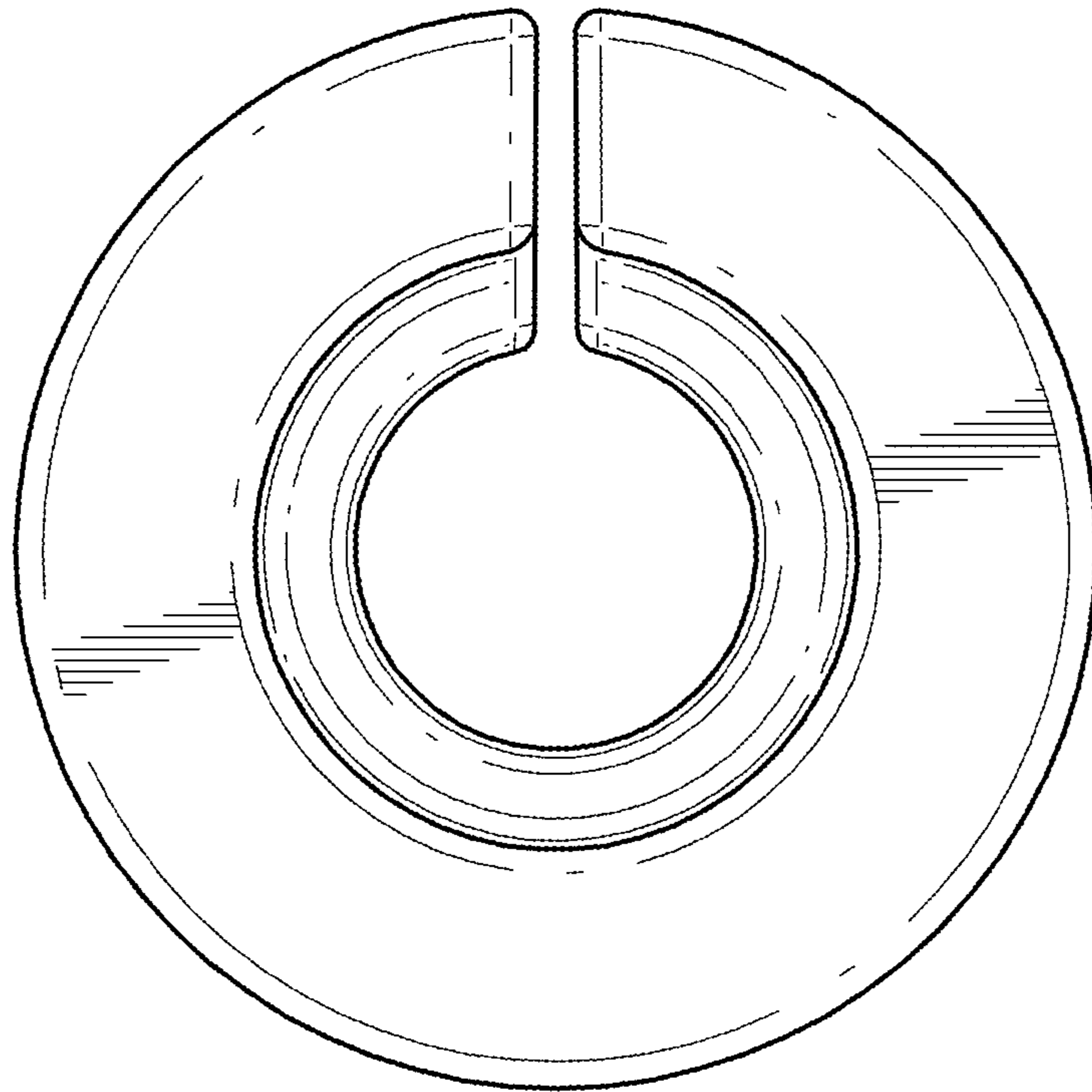
\* cited by examiner



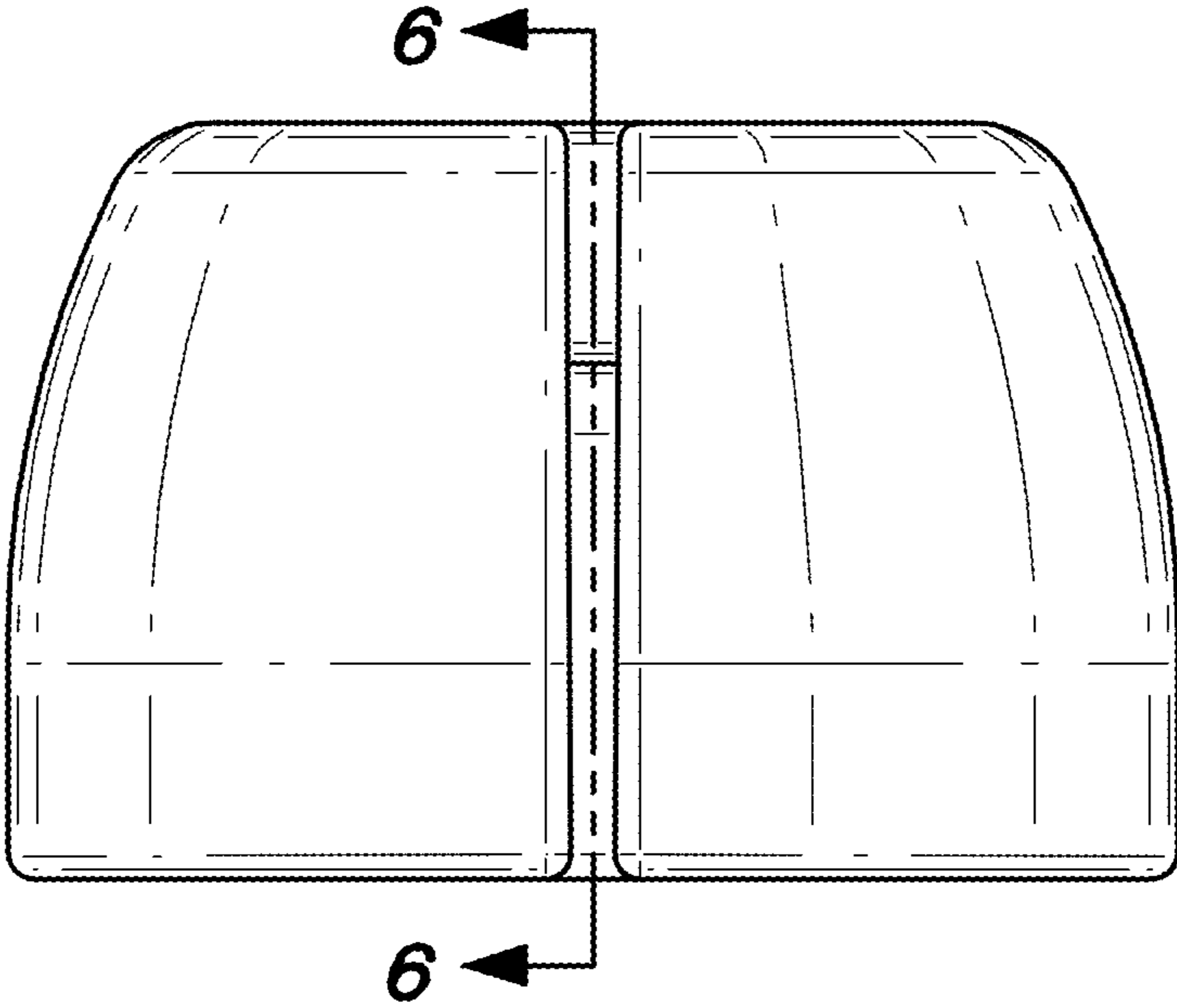
**FIG. 1**



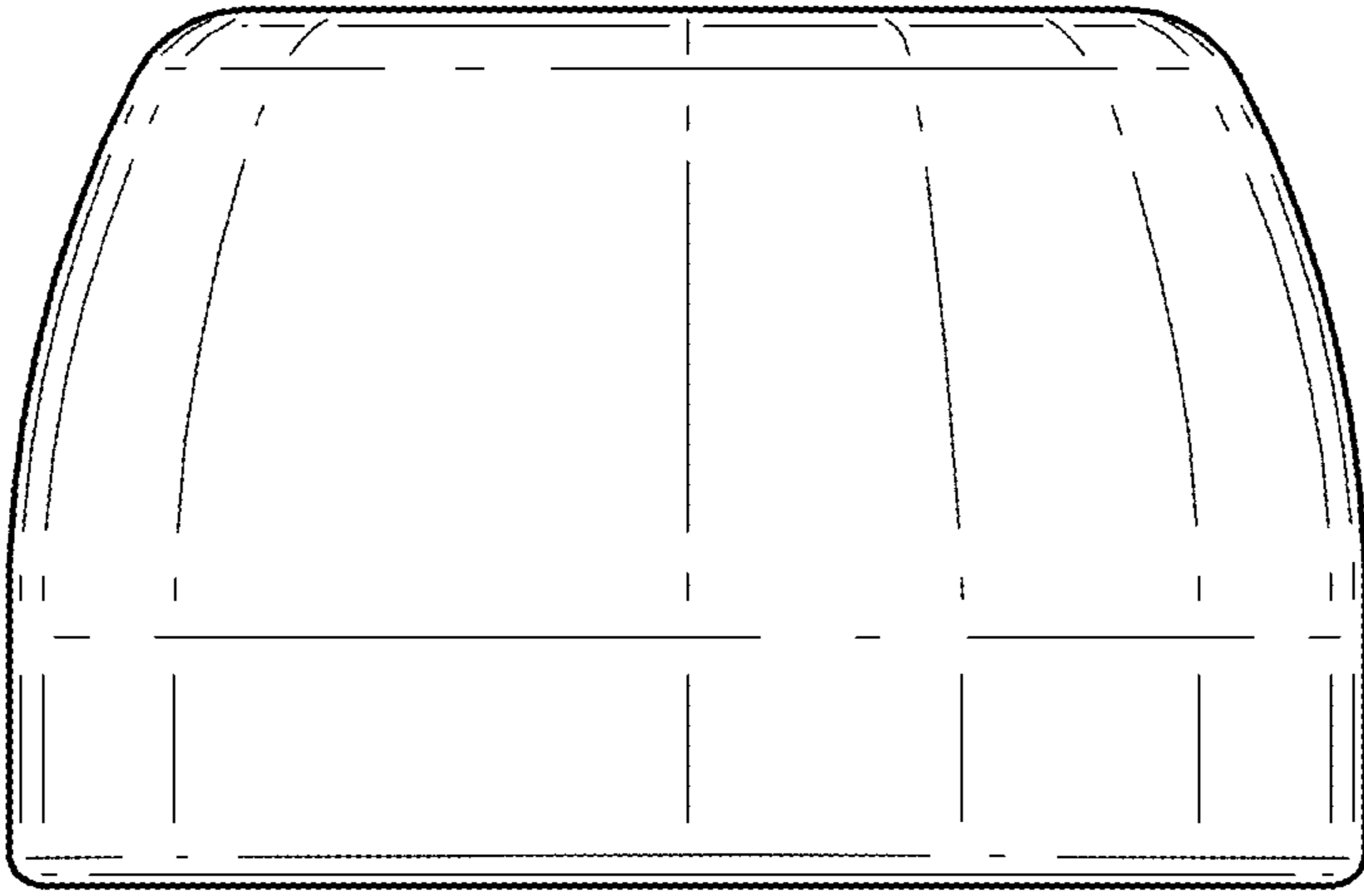
**FIG. 2**



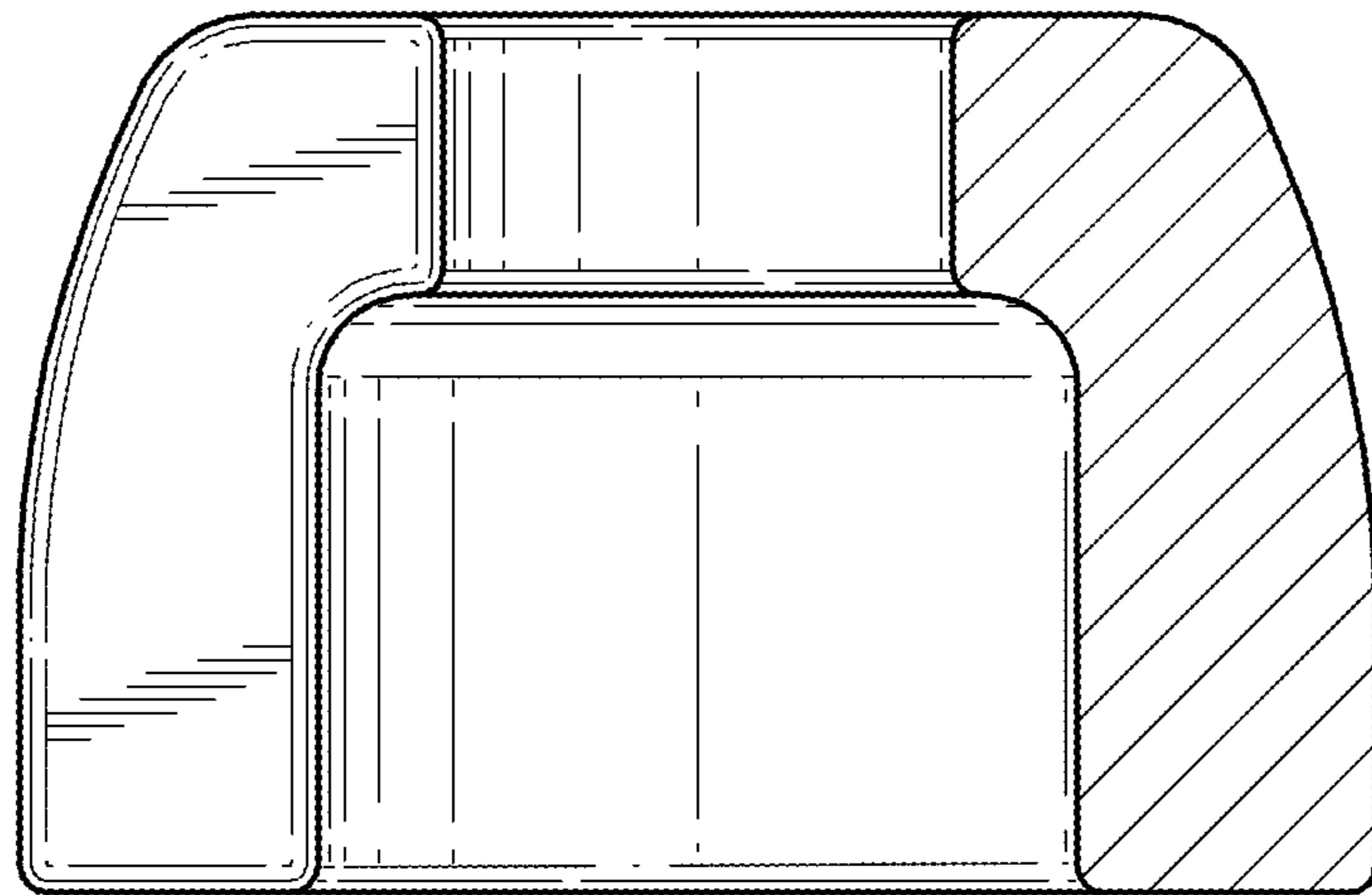
**FIG. 3**



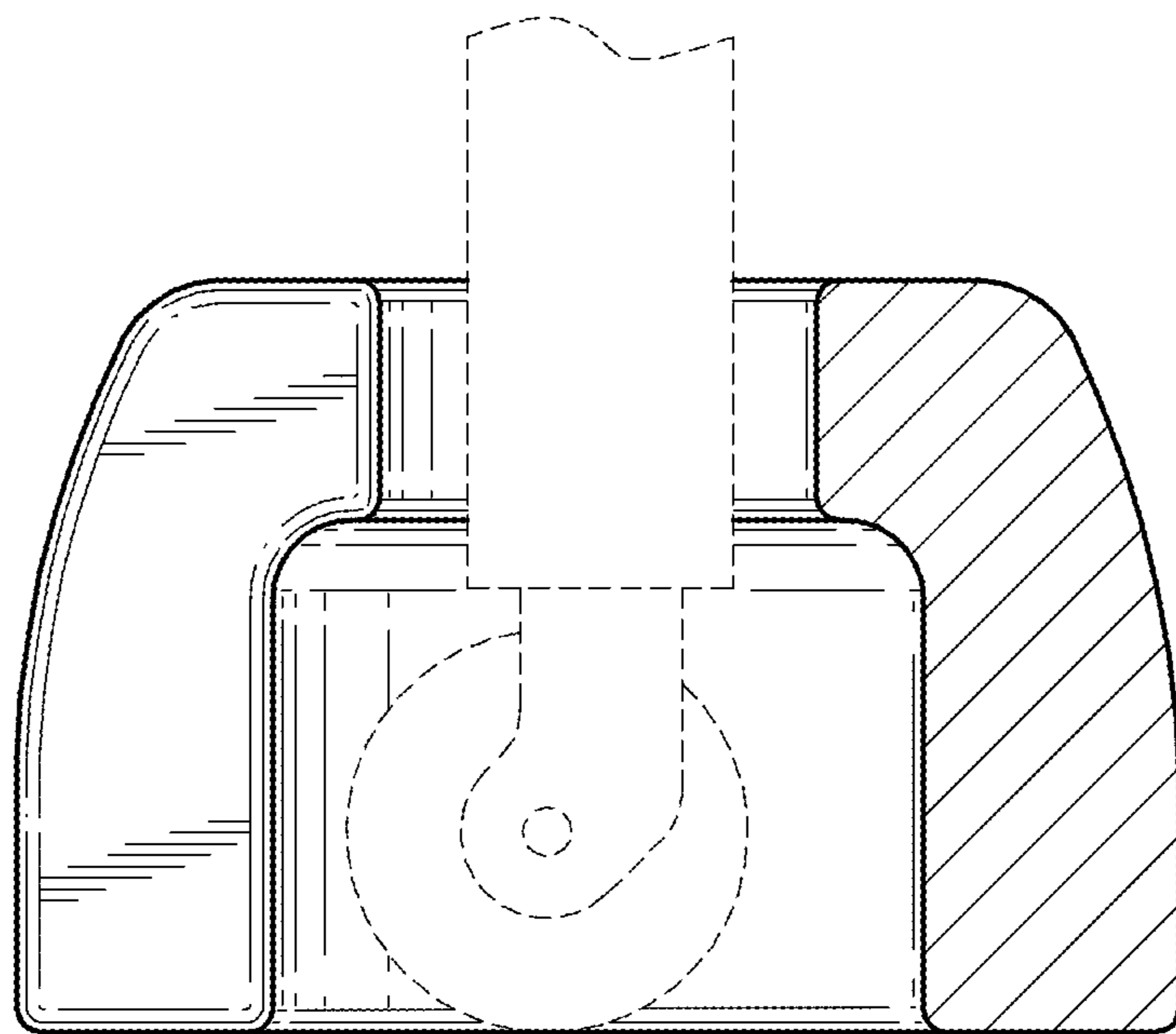
**FIG. 4**



**FIG. 5**



**FIG. 6**



**FIG. 7**