



US00D946387S

(12) **United States Design Patent**
Marler et al.

(10) **Patent No.:** **US D946,387 S**

(45) **Date of Patent:** **** Mar. 22, 2022**

(54) **LEG RISER**

(71) Applicants: **David H. Marler**, Cumming, GA (US);
Sherrie Marler, Cumming, GA (US)

(72) Inventors: **David H. Marler**, Cumming, GA (US);
Sherrie Marler, Cumming, GA (US)

(**) Term: **15 Years**

(21) Appl. No.: **29/703,245**

(22) Filed: **Aug. 26, 2019**

(51) **LOC (13) Cl.** **08-05**

(52) **U.S. Cl.**
USPC **D8/374**

(58) **Field of Classification Search**
USPC D8/354, 373-374, 363, 367, 376,
D8/380-381
CPC A47G 7/047; A47G 7/045; A47G 7/042;
A47G 7/044; A01G 9/024; A01G 25/14;
A01G 27/001; A01G 9/042; A01G
27/005; A01G 31/001; A01G 9/02; A01G
9/083; A01G 9/12; B65H 75/40; B65H
75/4407; B65H 75/4471; B65H 2701/34;
B65H 2701/32; B65H 2511/142; B65H
29/008; B65H 75/22; A47F 7/14; A47F
7/16; A47F 7/143; A47F 5/08; A47F
5/0807; A47F 5/0815; A47F 5/0838;
A47F 5/0846; A47F 5/0853; A47F 5/105;
E04F 11/1804; E04F 11/1808; E04F
11/1812
See application file for complete search history.

7,770,853 B2 * 8/2010 Shiftier A47B 91/06
248/188.9
8,240,004 B2 * 8/2012 Carpinella A47B 91/066
16/42 R
8,468,957 B2 * 6/2013 Ruiz A47C 19/024
108/91
D890,598 S * 7/2020 Chase D8/374
D891,234 S * 7/2020 Logar D8/374
D893,288 S * 8/2020 Wendling D8/374
D894,720 S * 9/2020 Wendling D8/374
D896,621 S * 9/2020 Wendling D8/374
D896,622 S * 9/2020 Wendling D8/374
D915,871 S * 4/2021 Wendling D8/374
D923,462 S * 6/2021 Wendling D8/374
D925,342 S * 7/2021 Winthrop D8/374
D929,212 S * 8/2021 Guindi D8/374

* cited by examiner

Primary Examiner — Susan Bennett Hattan

Assistant Examiner — Elizabeth S Ko

(74) *Attorney, Agent, or Firm* — McClure, Qualey & Rodack, LLP

(57) **CLAIM**

The ornamental design for a leg riser, as shown and described.

DESCRIPTION

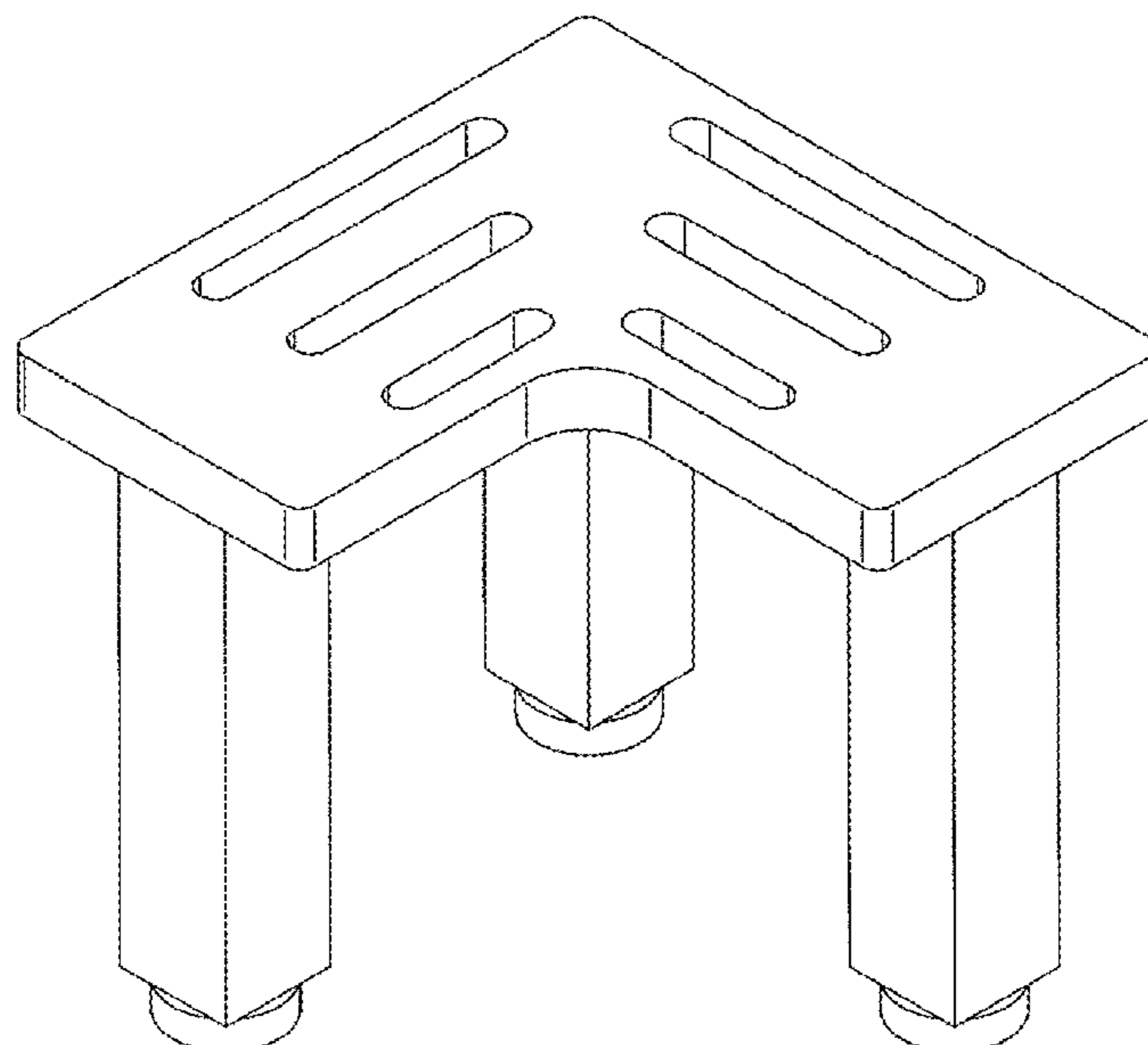
FIG. 1 is a front perspective view;
FIG. 2 is a rear perspective view;
FIG. 3 is a right side perspective view;
FIG. 4 is a top plan view;
FIG. 5 is a right side elevational view;
FIG. 6 is a left side elevational view;
FIG. 7 is a rear elevational view; and,
FIG. 8 is a front elevational view.

1 Claim, 6 Drawing Sheets

(56) **References Cited**

U.S. PATENT DOCUMENTS

6,012,185 A * 1/2000 Woods A47C 19/024
248/188.2
6,345,474 B1 * 2/2002 Triplett E02D 27/01
405/229



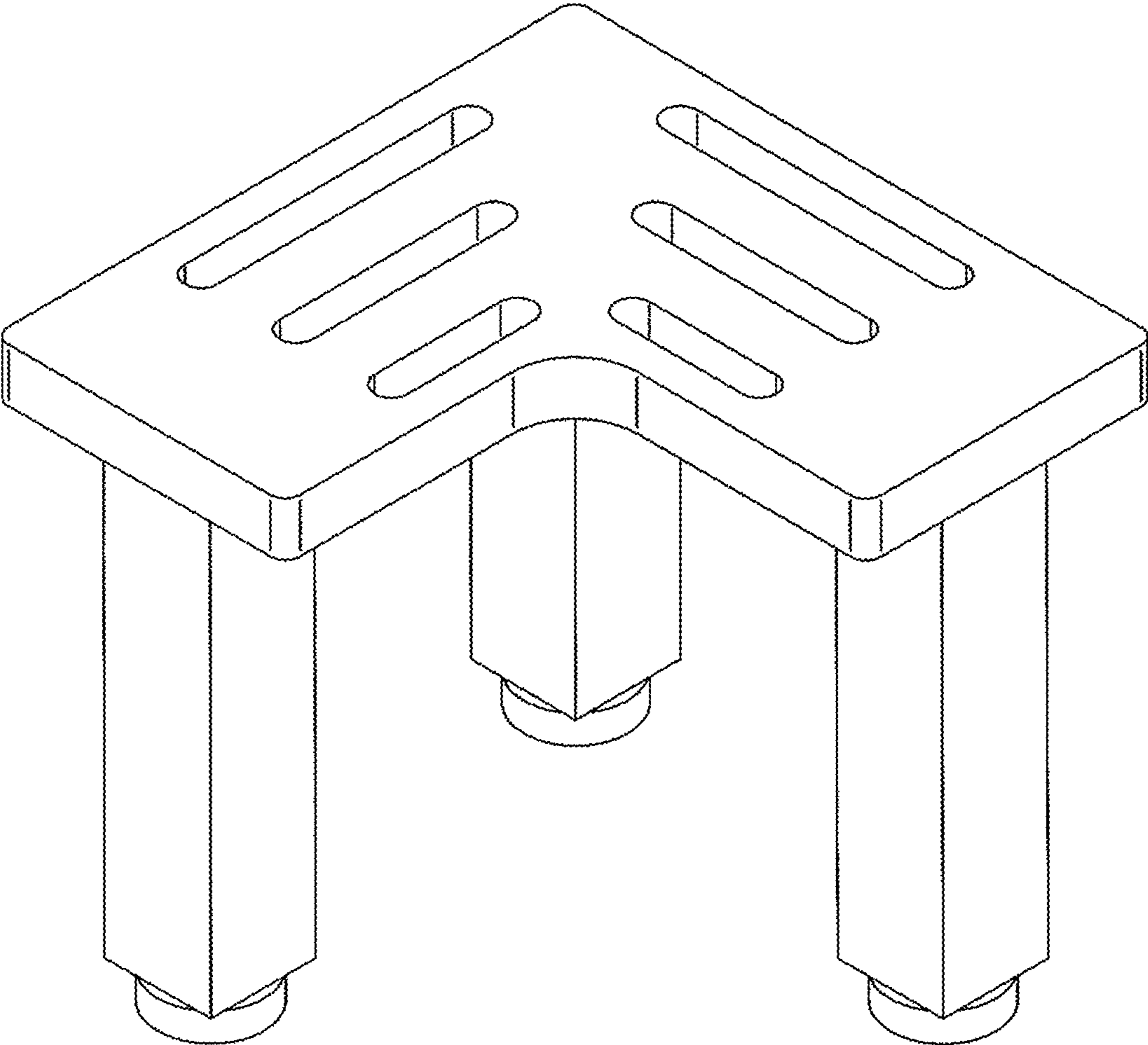


FIG. 1

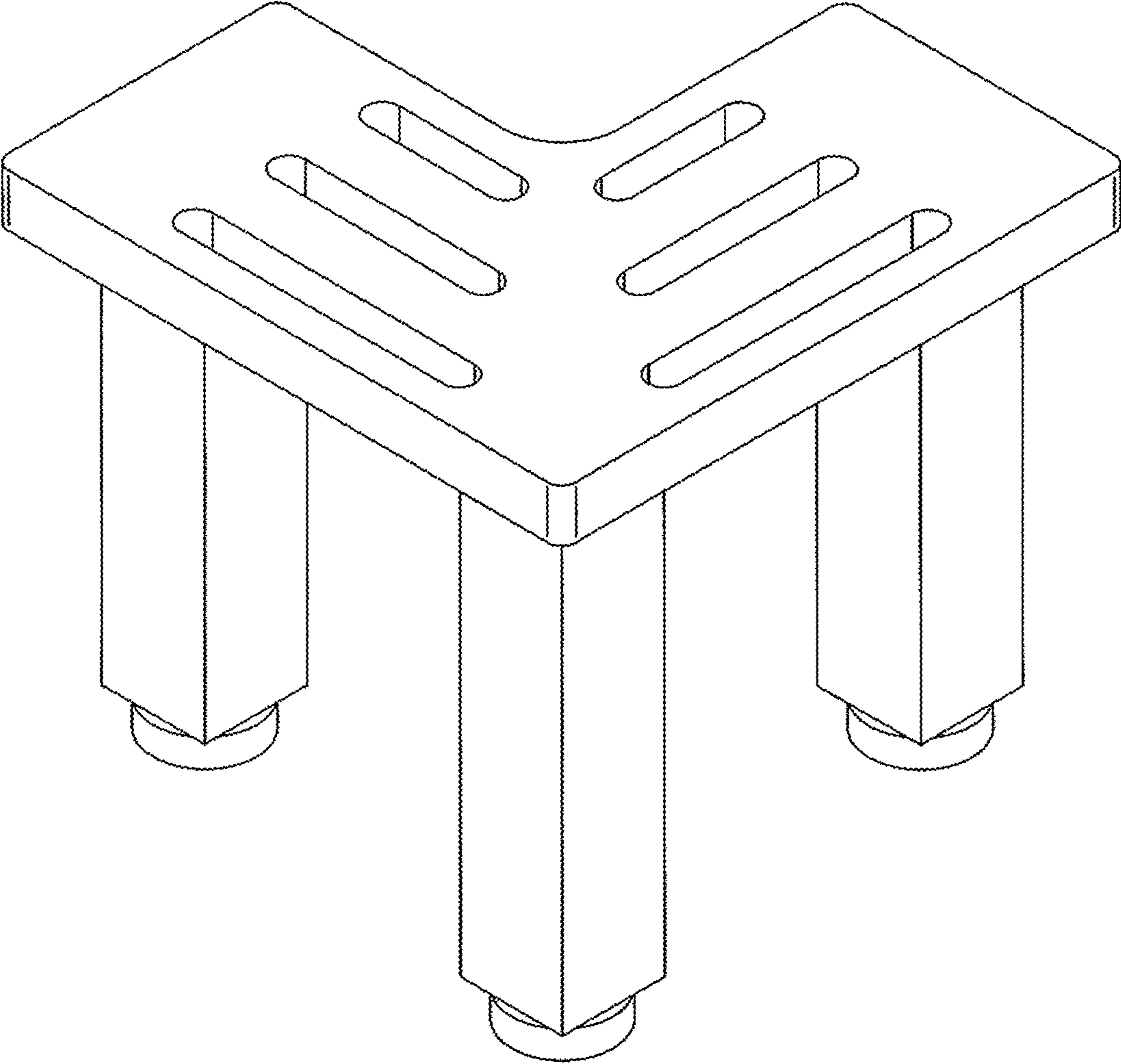


FIG. 2

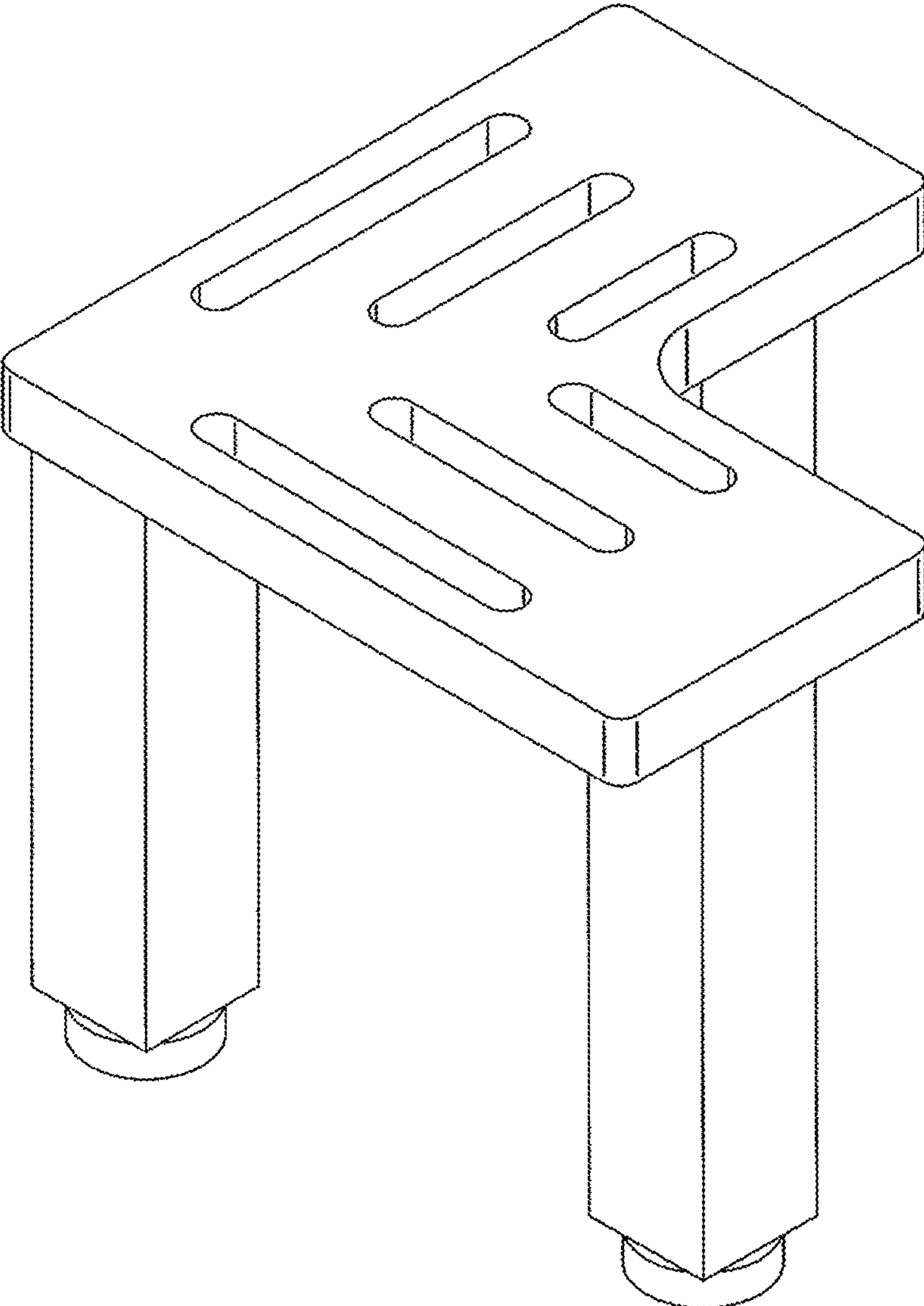


FIG. 3

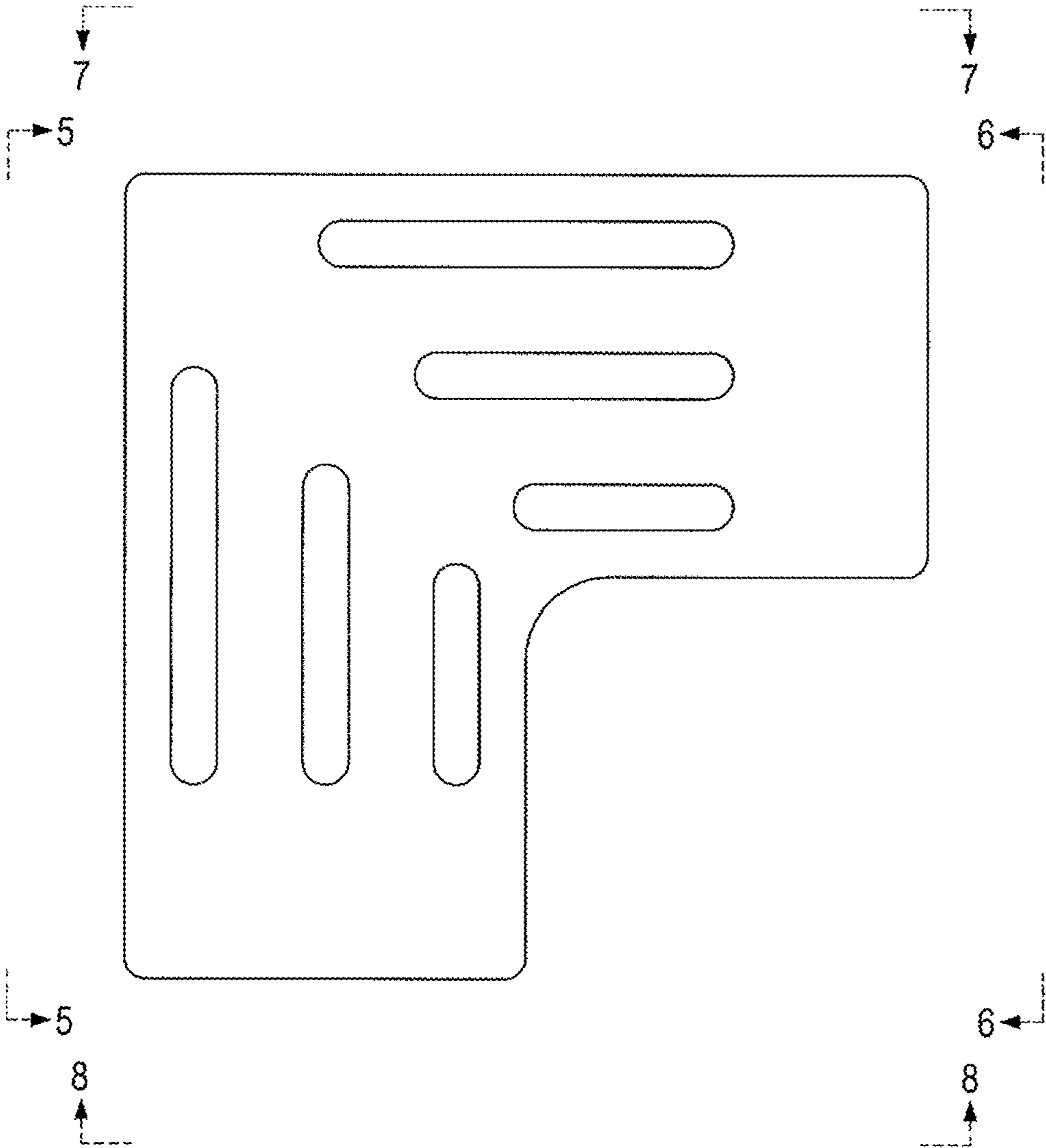


FIG. 4

FIG. 5

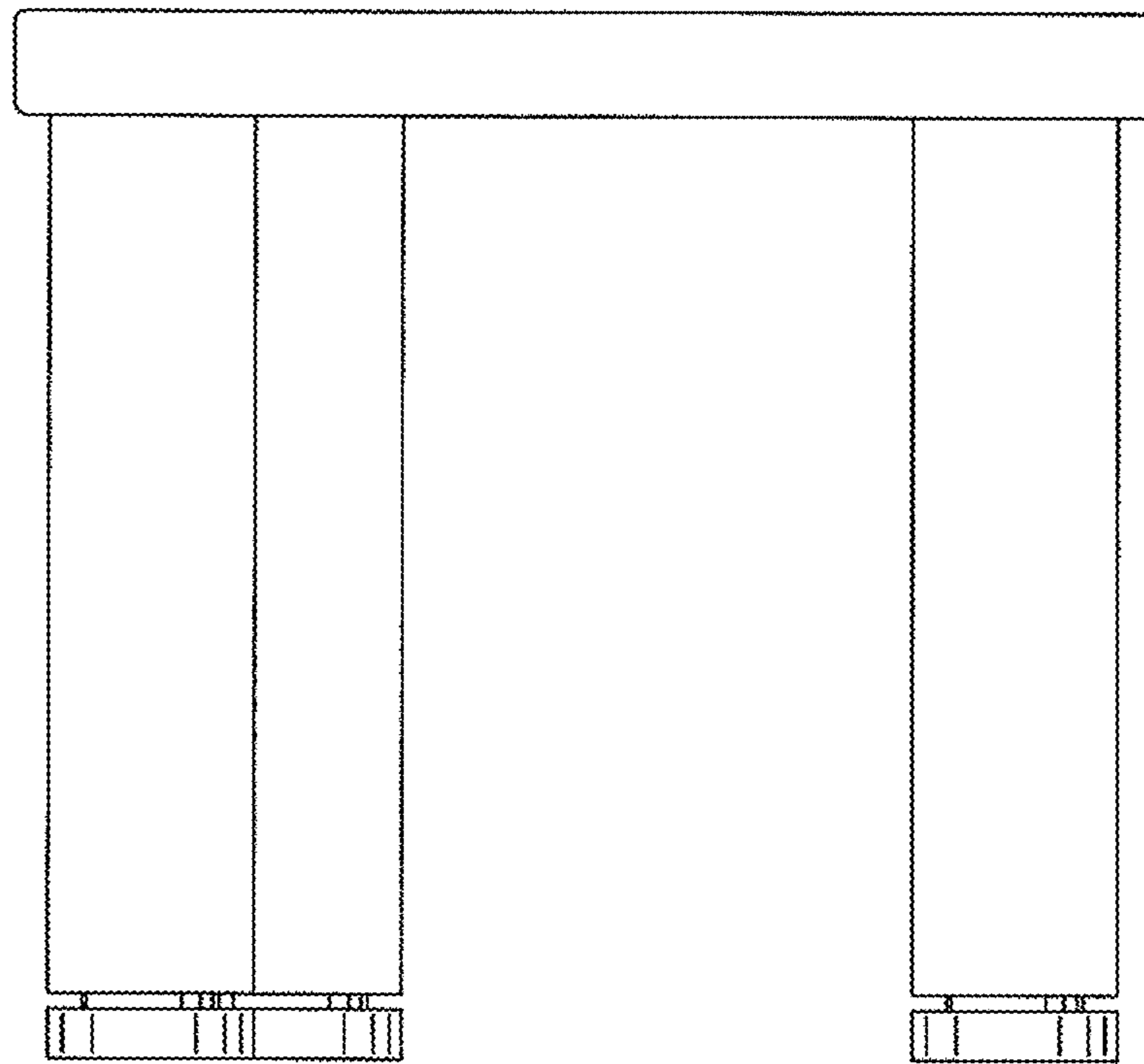


FIG. 6

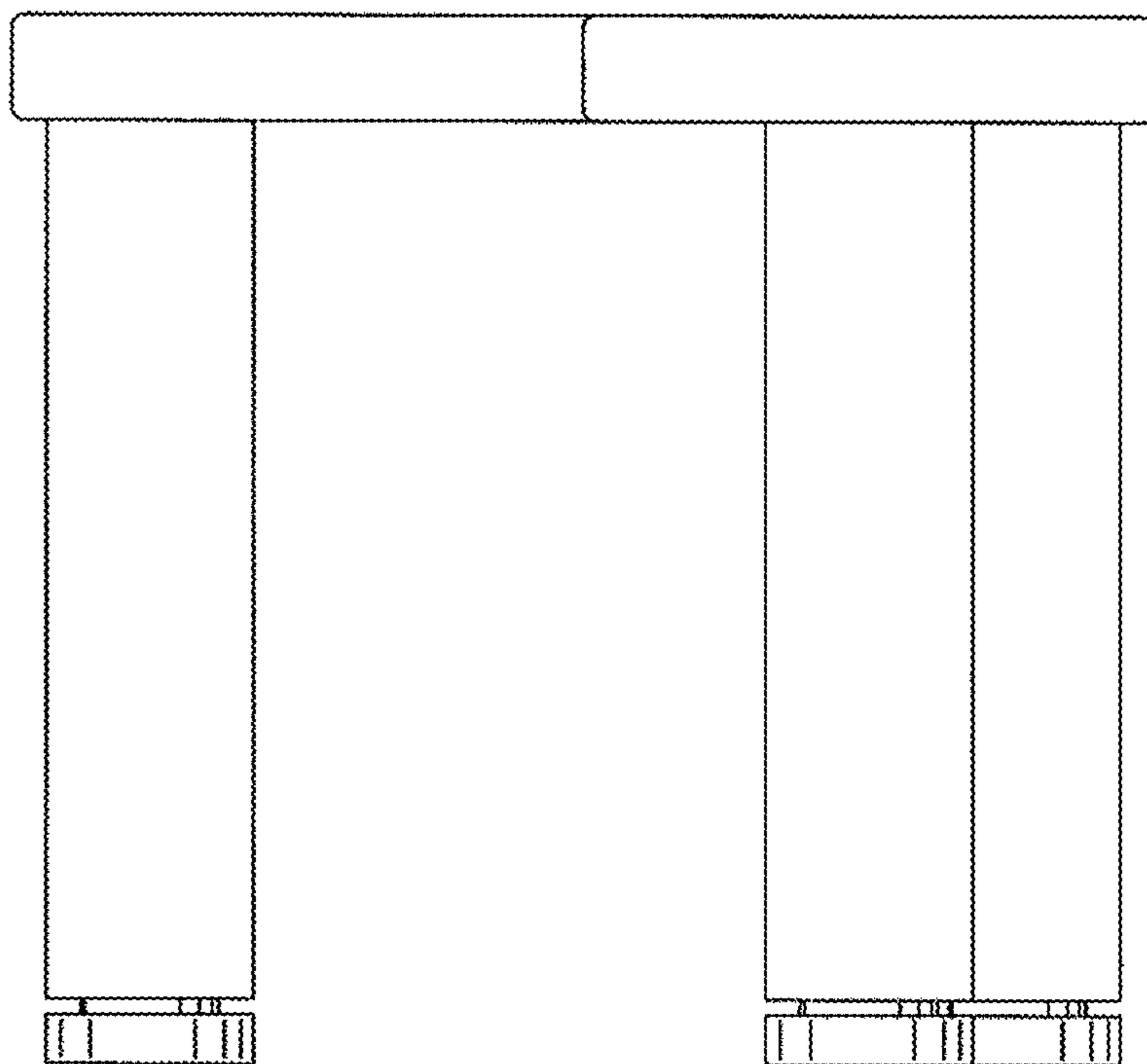


FIG. 7

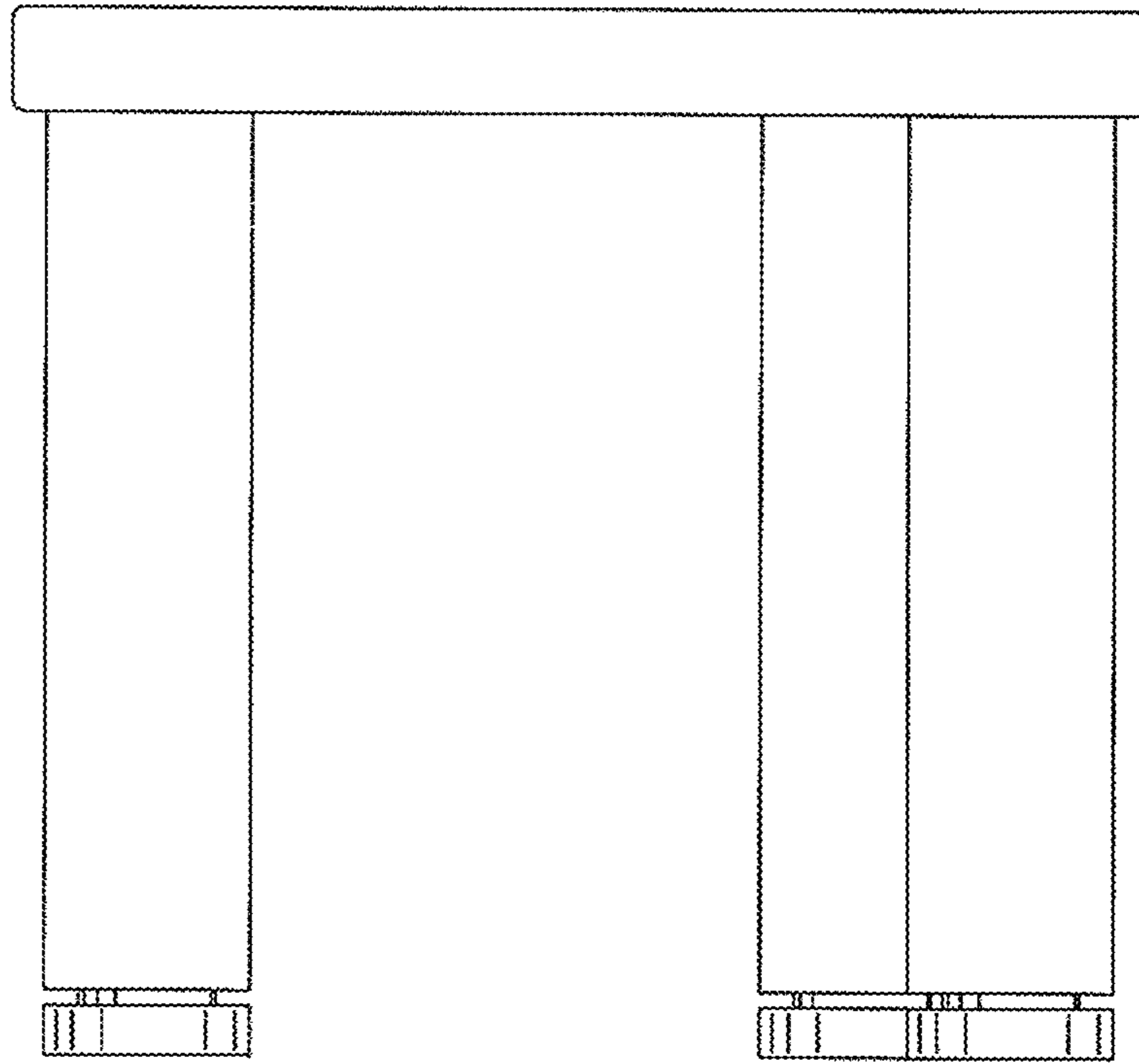


FIG. 8

