



US00D946385S

(12) **United States Design Patent**
Beyerle et al.

(10) **Patent No.:** **US D946,385 S**
(45) **Date of Patent:** **** Mar. 22, 2022**

(54) **DEVICE FOR CONNECTING A DECK LEDGER BOARD TO A BUILDING THROUGH A MASONRY VENEERED WALL**

(71) Applicant: **Decconek, LLC**, Harveysburg, OH (US)

(72) Inventors: **David T. Beyerle**, Dayton, OH (US);
Terry J. Tincher, Oregonia, OH (US)

(73) Assignee: **Decconek, LLC**, Harveysburg, OH (US)

(**) Term: **15 Years**

(21) Appl. No.: **29/708,475**

(22) Filed: **Oct. 7, 2019**

(51) **LOC (13) Cl.** **08-05**

(52) **U.S. Cl.**
USPC **D8/373**

(58) **Field of Classification Search**
USPC D8/396, 394, 387, 382; D25/164, 156, D25/152, 131, 118, 113, 106, 61, 44, 21, D25/1
CPC . E04B 1/38; E04B 1/24; E04B 1/2612; E04B 2001/2415; E04B 2001/2418; E04B 2001/2472; E04B 2001/2463; E04B 2002/565

See application file for complete search history.

(56) **References Cited**

U.S. PATENT DOCUMENTS

- D60,253 S * 1/1922 McConville D25/118
- 2,151,468 A * 3/1939 Henderson E04B 2/20 52/204.1
- 3,435,567 A * 4/1969 Tyson E04C 2/06 52/125.4
- 3,597,873 A * 8/1971 Fischer A63H 33/042 446/90

- 3,600,862 A * 8/1971 Eckert E04B 1/34807 52/236.9
- D245,340 S * 8/1977 Johnson E04B 1/34807 D25/118
- D303,716 S * 9/1989 Waller A63H 33/042 D8/354
- 5,228,261 A * 7/1993 Watkins E04B 1/2612 52/702
- D737,670 S 9/2015 Beyerle et al.
- D809,372 S * 2/2018 Palsgaard E04B 2/20 D8/388
- D811,863 S 3/2018 Beyerle et al.
- D860,478 S * 9/2019 Dominique D25/113

* cited by examiner

Primary Examiner — Rachel A. Voorhies

Assistant Examiner — Benjamin D. Wannemacher

(74) *Attorney, Agent, or Firm* — Jacox, Meckstroth & Jenkins

(57) **CLAIM**

The ornamental design of a device for connecting a deck ledger board to a building through a masonry veneered wall, as shown and described.

DESCRIPTION

FIG. 1 is a perspective view of a device for connecting a deck ledger board to a building through a masonry veneered wall showing our new design;

FIG. 2 is a top view thereof, the bottom view being a mirror image;

FIG. 3 is a left view thereof, the opposite right view being a mirror image;

FIG. 4 is a side view thereof; and,

FIG. 5 is an opposite side view thereof.

The broken line showing in FIG. 5 is included for the purpose of illustrating portions of the device for connecting a deck ledge board to a building through a masonry veneered wall that form no part of the claimed design.

1 Claim, 1 Drawing Sheet

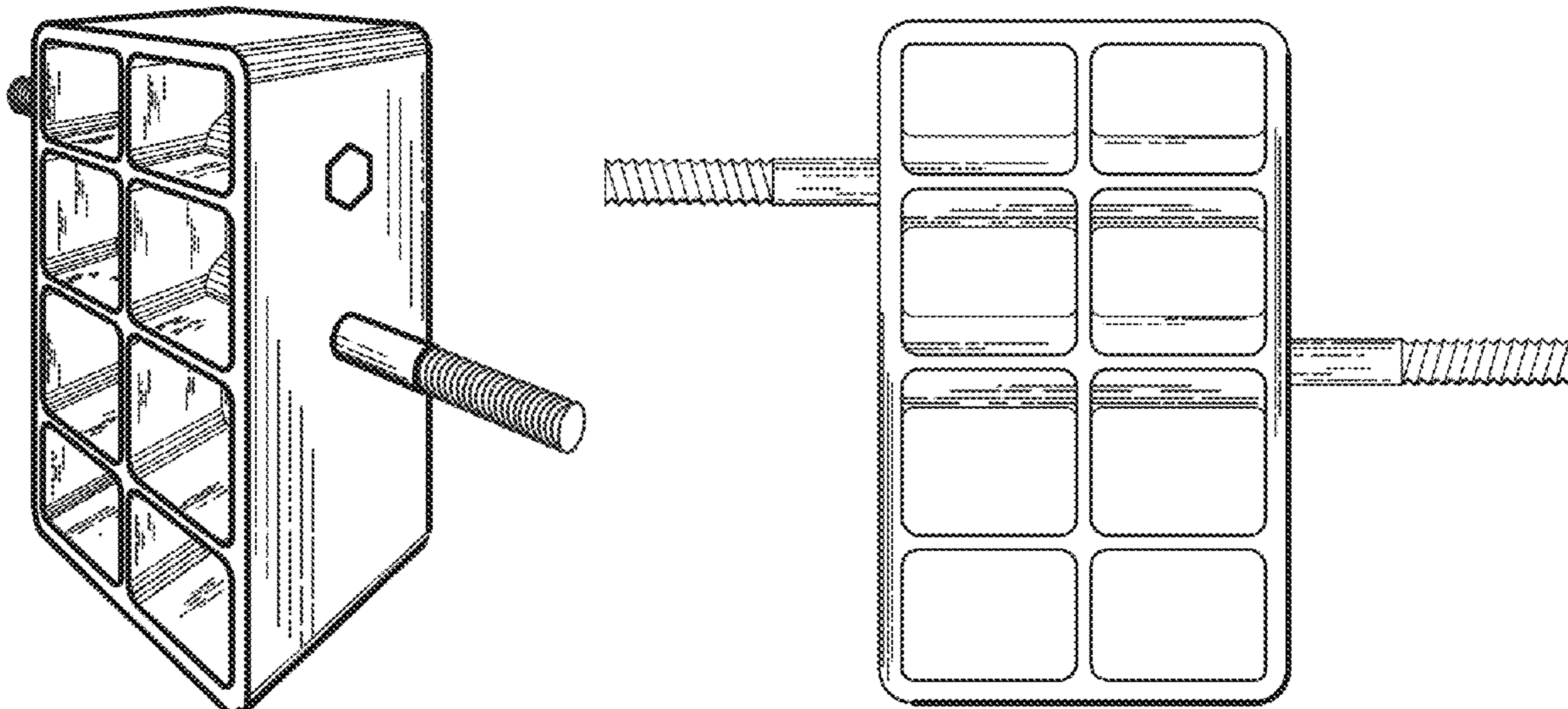


FIG. 1

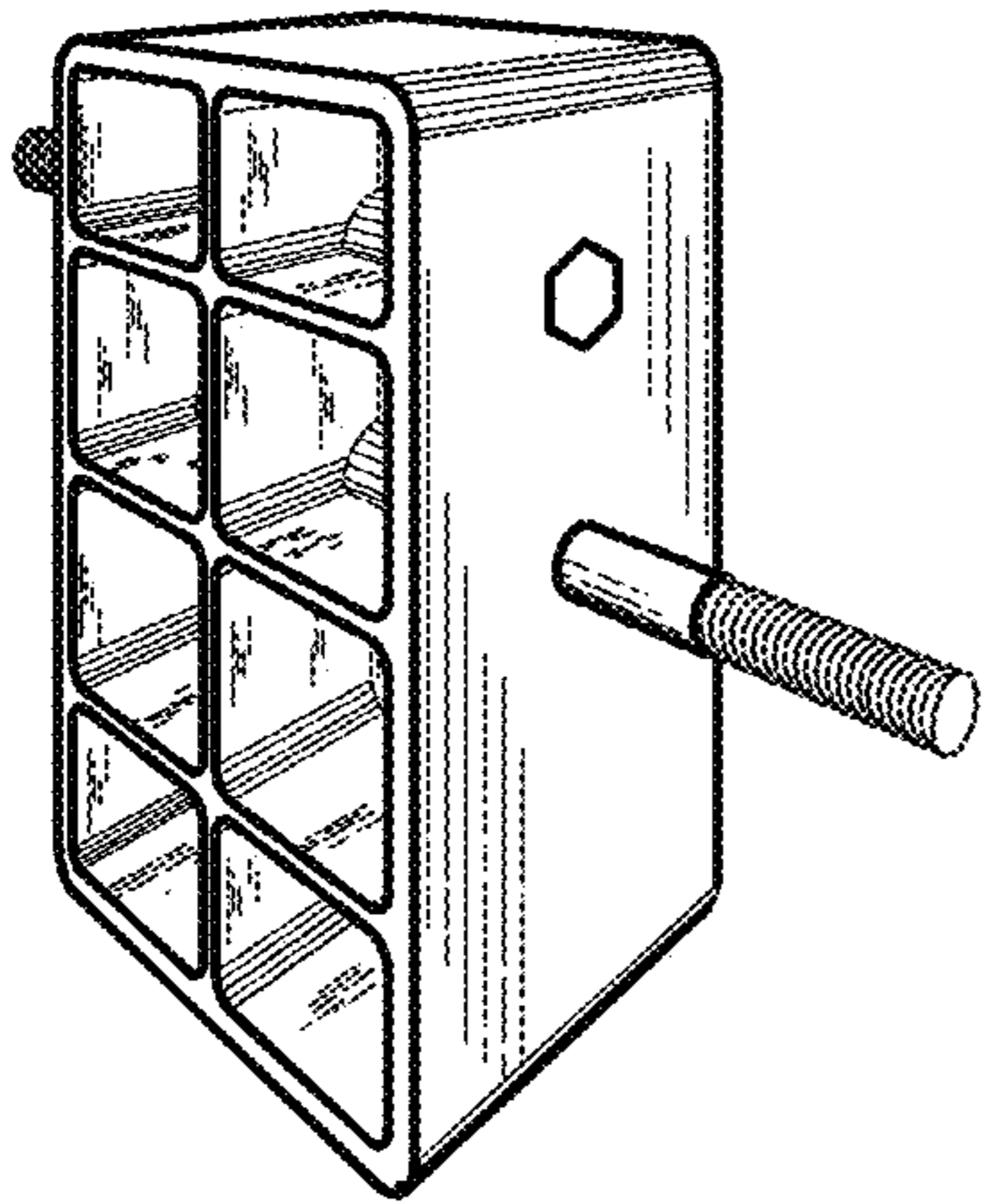


FIG. 2

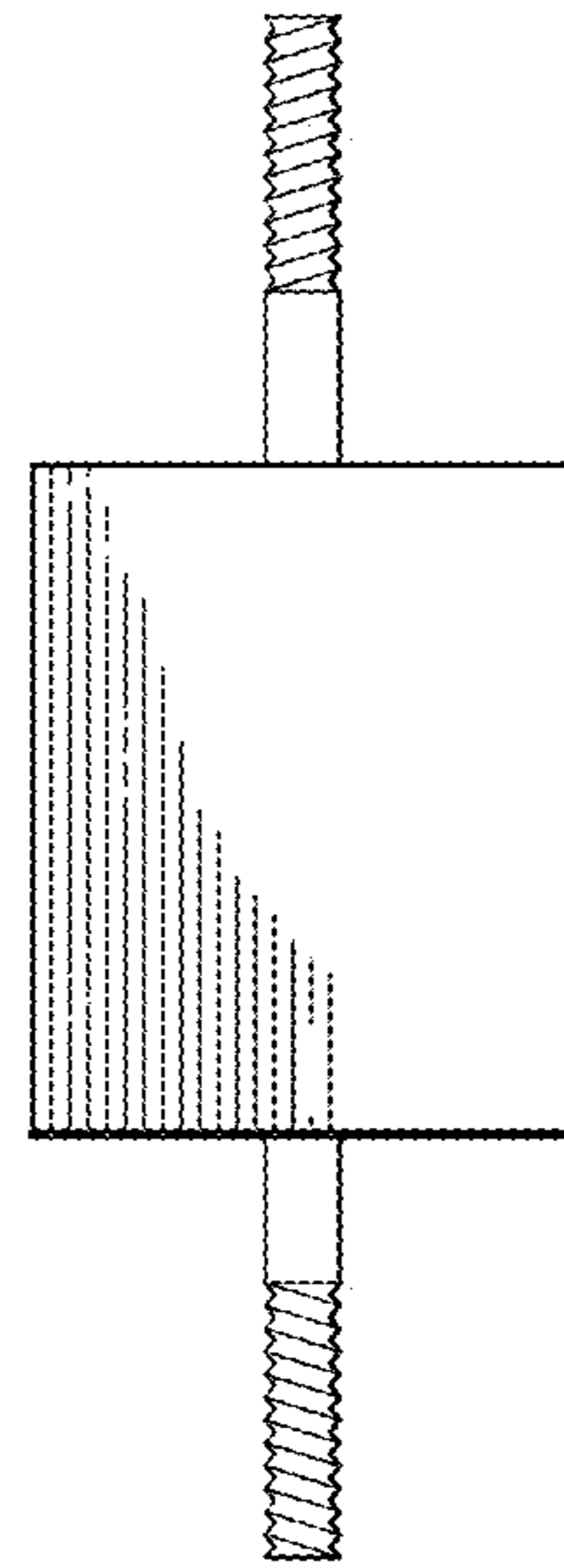


FIG. 3

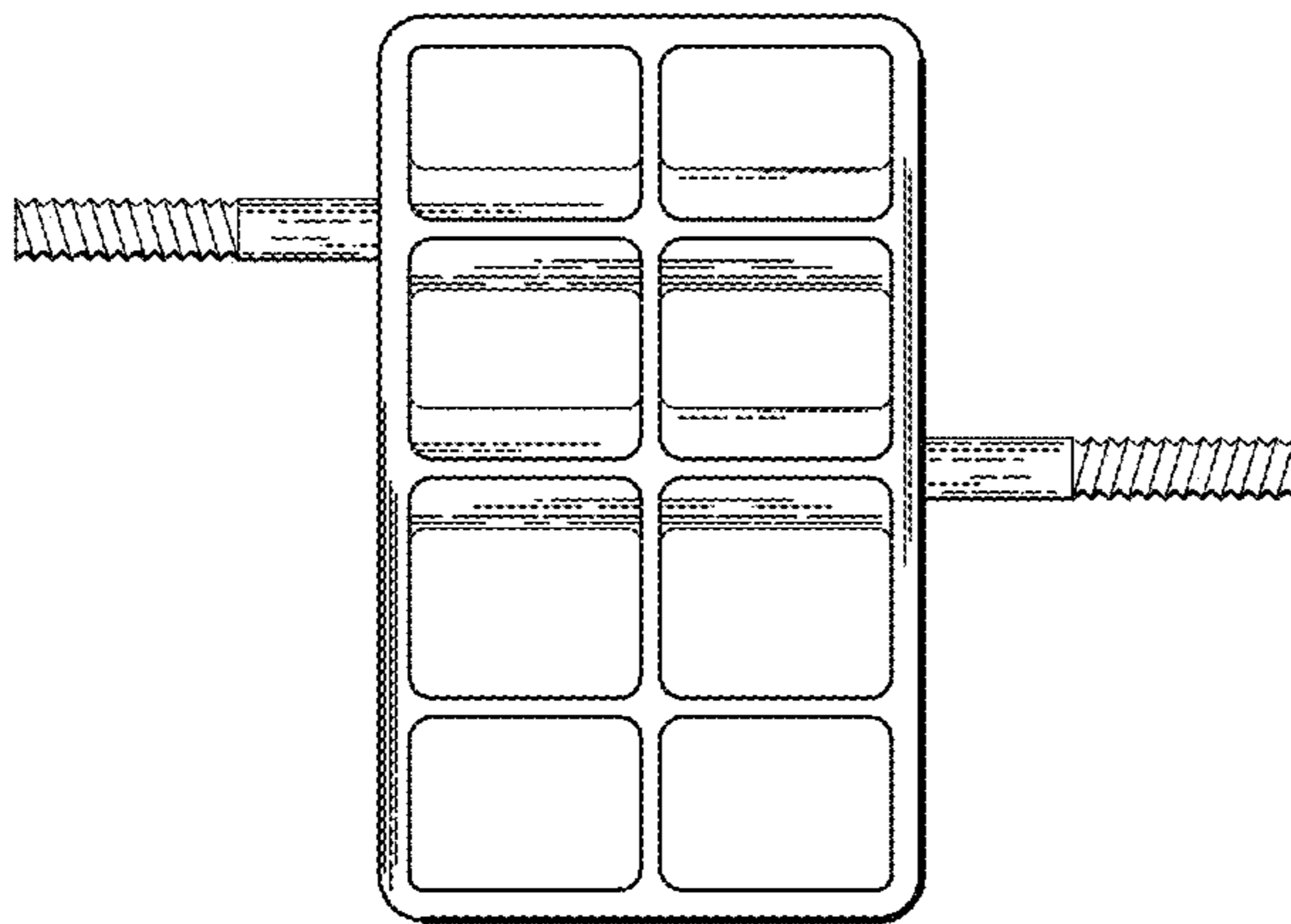


FIG. 4

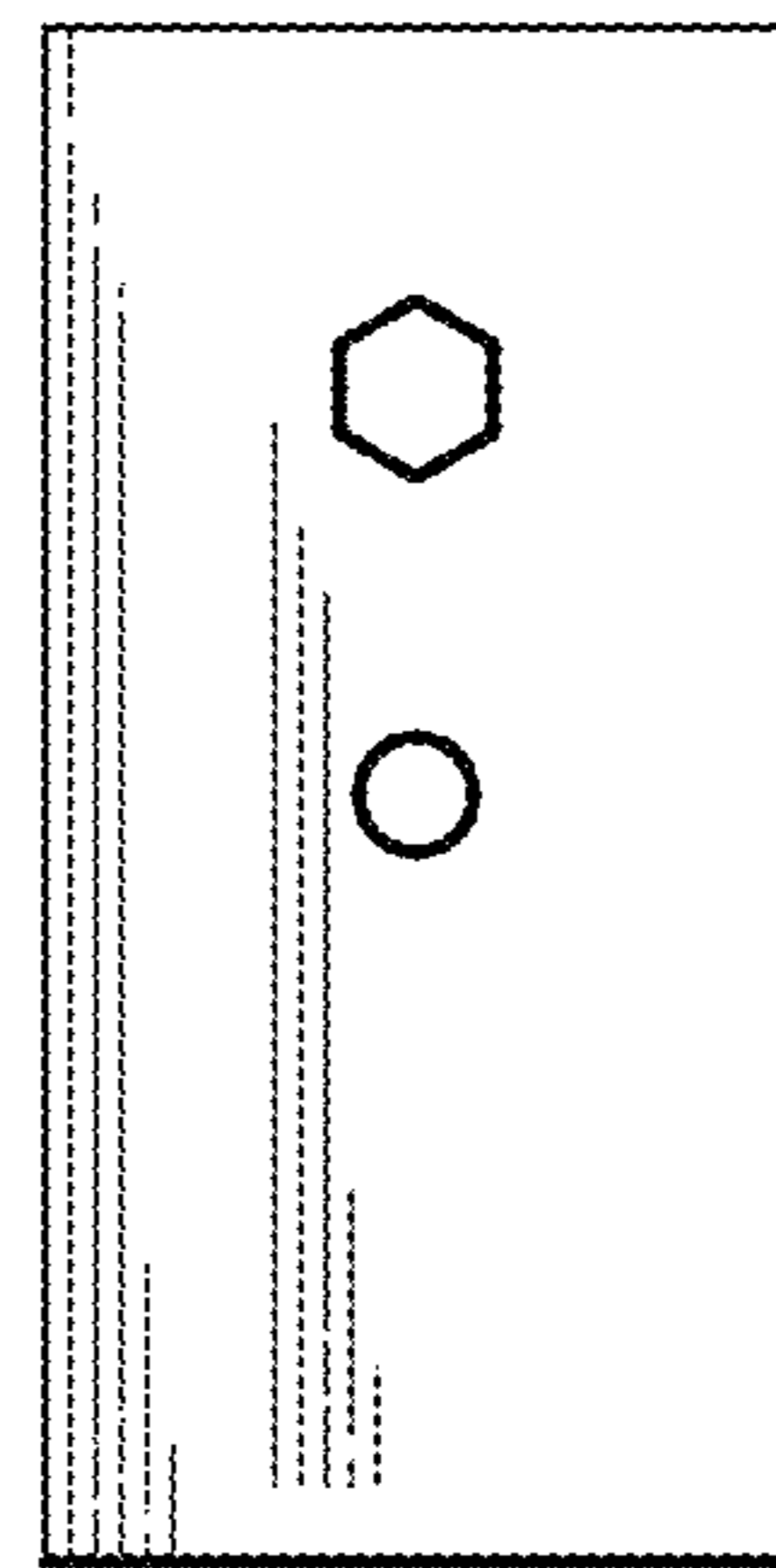


FIG. 5

