



US00D946384S

(12) **United States Design Patent**  
**Zhang**

(10) **Patent No.:** **US D946,384 S**  
(45) **Date of Patent:** **\*\* Mar. 22, 2022**

- (54) **BRICK HOOKS**
- (71) Applicant: **Xuzhou Zongteng Electronic Commerce Co., Ltd., Jiangsu (CN)**
- (72) Inventor: **Jiaheng Zhang, Jiangsu (CN)**
- (73) Assignee: **Xuzhou Zongteng Electronic Commerce Co., Ltd., Jiangsu (CN)**
- (\*\*) Term: **15 Years**
- (21) Appl. No.: **29/772,417**
- (22) Filed: **Mar. 1, 2021**
- (51) **LOC (13) Cl.** ..... **08-05**
- (52) **U.S. Cl.**  
USPC ..... **D8/367**
- (58) **Field of Classification Search**  
USPC ..... D8/367, 354, 349, 373, 371;  
248/301-304, 339  
CPC ..... A47G 1/00; A47G 25/00  
See application file for complete search history.

(56) **References Cited**

**U.S. PATENT DOCUMENTS**

- 3,229,743 A \* 1/1966 Derby ..... F16B 37/041  
411/970
- 3,450,317 A \* 6/1969 Ramer ..... A45F 5/02  
224/904
- D231,901 S \* 6/1974 Bentley ..... D8/367
- 4,823,962 A \* 4/1989 Arias ..... A47G 25/005  
211/113
- 4,880,200 A \* 11/1989 Champagne ..... E06C 7/48  
248/339
- D316,956 S \* 5/1991 Hoskinson ..... D8/367
- 5,248,072 A \* 9/1993 Jones ..... B25H 3/00  
224/904
- D492,189 S \* 6/2004 Weremchuk ..... D8/371
- D495,588 S \* 9/2004 Wurdack ..... D8/367

- D531,012 S \* 10/2006 Shih ..... D8/373
- D598,276 S \* 8/2009 Rhee ..... D8/367
- D608,181 S \* 1/2010 Koizumi ..... D8/354
- D620,342 S \* 7/2010 Mikkelsen ..... D8/354
- D626,407 S \* 11/2010 Tedesco ..... D8/394
- 7,891,617 B2 \* 2/2011 Tisbo ..... A47F 5/0853  
248/300
- D785,442 S \* 5/2017 Tseng ..... D8/354
- D817,749 S \* 5/2018 Ryu ..... D8/367
- D821,184 S \* 6/2018 Berger ..... D8/367
- D824,245 S \* 7/2018 Ryu ..... D8/371
- 10,342,346 B2 \* 7/2019 Hansen ..... A47B 96/067
- D864,697 S \* 10/2019 Gnocchini ..... D8/367
- D865,498 S 11/2019 Krake et al.
- D866,920 S \* 11/2019 Perry ..... D2/640
- D870,544 S \* 12/2019 Lai ..... D8/382
- 10,537,192 B2 \* 1/2020 Fastermann ..... A47G 29/00
- D889,251 S 7/2020 Krake et al.
- D889,888 S \* 7/2020 Myerson ..... D6/682.2
- D911,816 S \* 3/2021 Zhang ..... D8/349
- D913,499 S \* 3/2021 Hwang ..... D24/167
- D925,341 S \* 7/2021 Fastermann ..... D8/367

(Continued)

*Primary Examiner* — Cynthia R Underwood

(74) *Attorney, Agent, or Firm* — ScienBiziP, P.C.

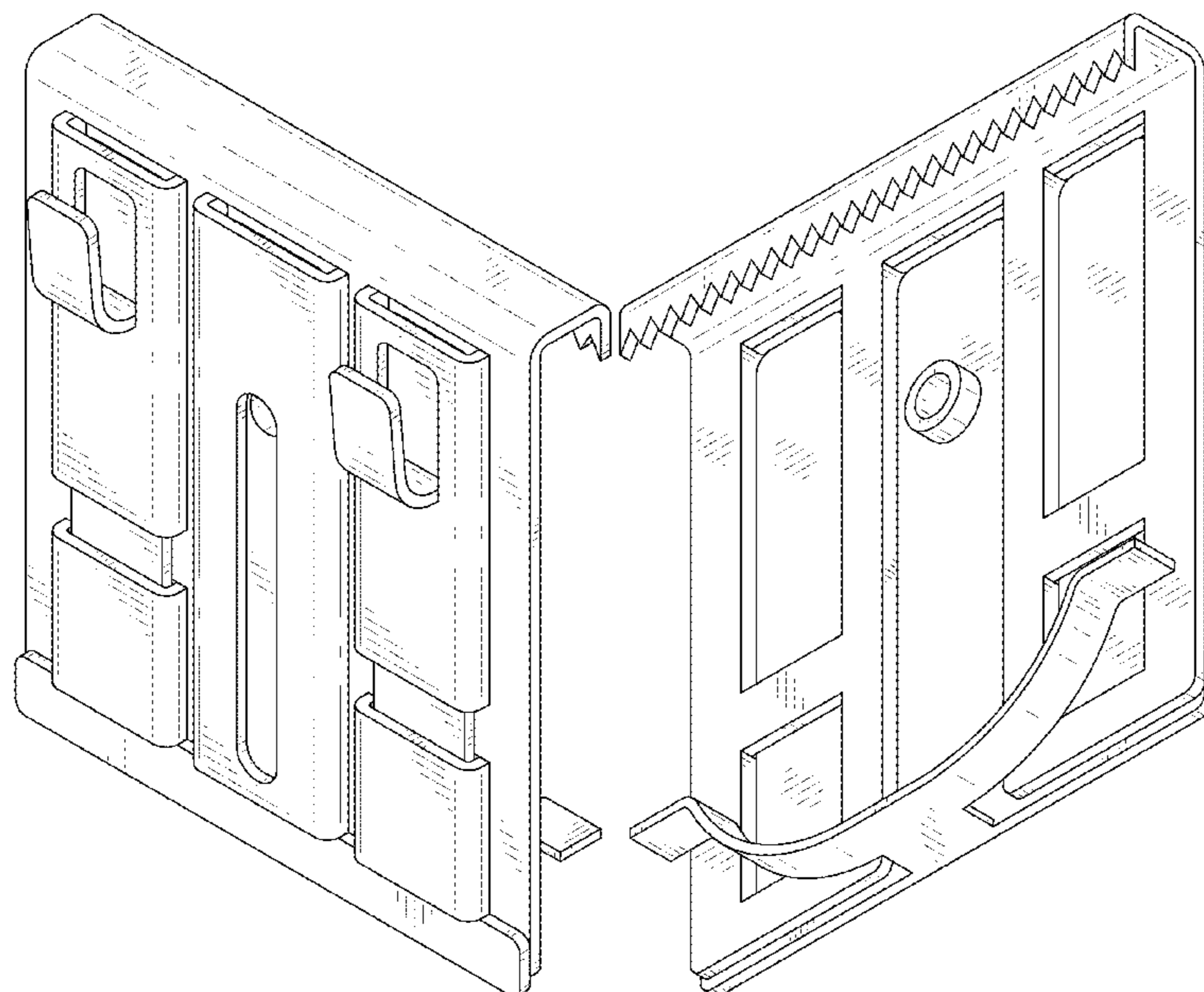
(57) **CLAIM**

The ornamental design for brick hooks, as shown and described.

**DESCRIPTION**

FIG. 1 is a front, right, and top perspective view of brick hooks, showing my design.  
 FIG. 2 is a rear, left, and bottom perspective view thereof.  
 FIG. 3 is a front elevation view thereof.  
 FIG. 4 is a rear elevation view thereof.  
 FIG. 5 is a left side elevation view thereof.  
 FIG. 6 is a right side elevation view thereof.  
 FIG. 7 is a top plan view thereof; and,  
 FIG. 8 is a bottom plan view thereof.

**1 Claim, 8 Drawing Sheets**



(56)

**References Cited**

U.S. PATENT DOCUMENTS

D929,854 S \* 9/2021 Pitt ..... D8/367  
D937,664 S \* 12/2021 Brunskill ..... D8/354  
2005/0220563 A1\* 10/2005 Kosidlo, IV ..... F16B 37/043  
411/173

\* cited by examiner

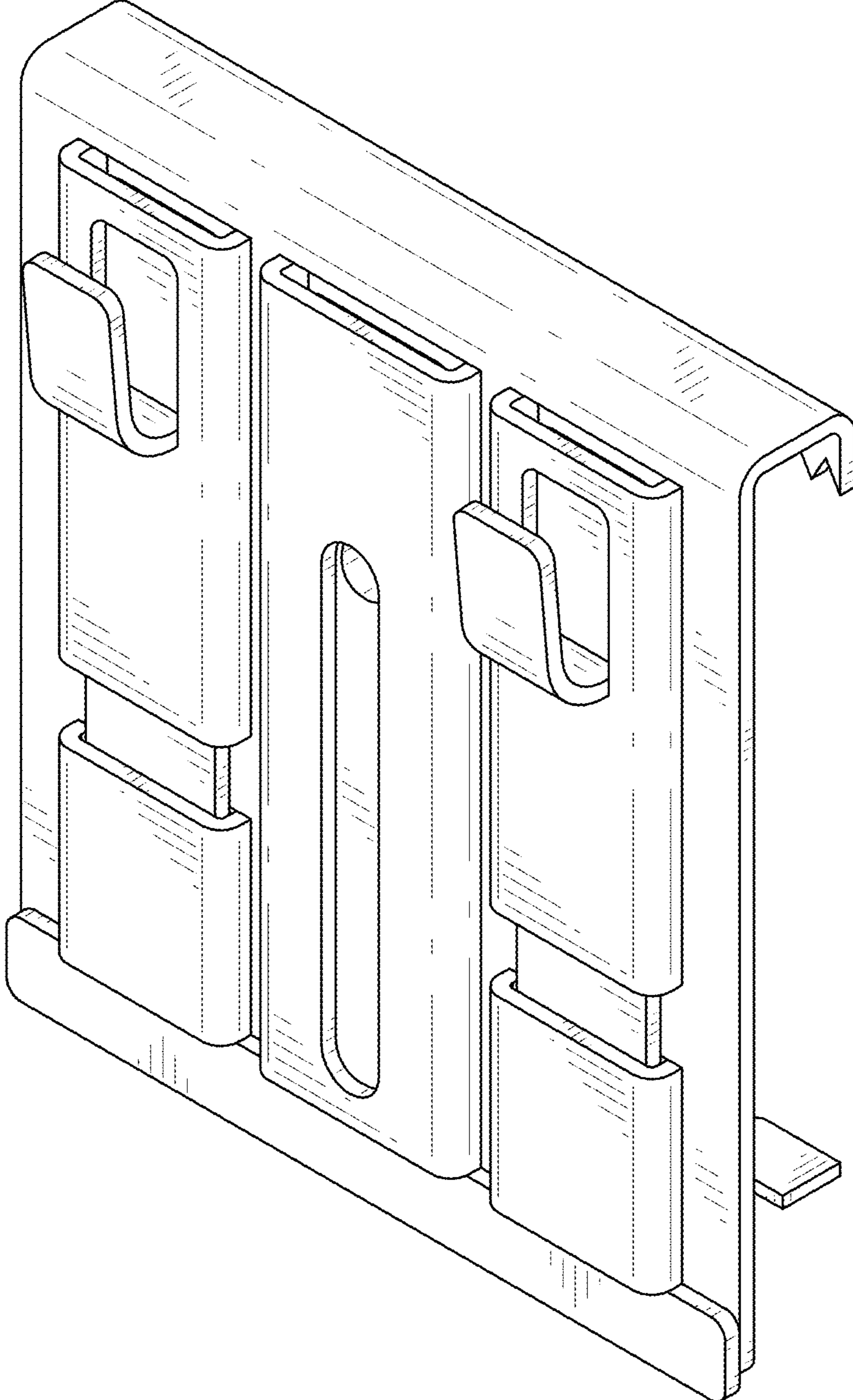


FIG.1

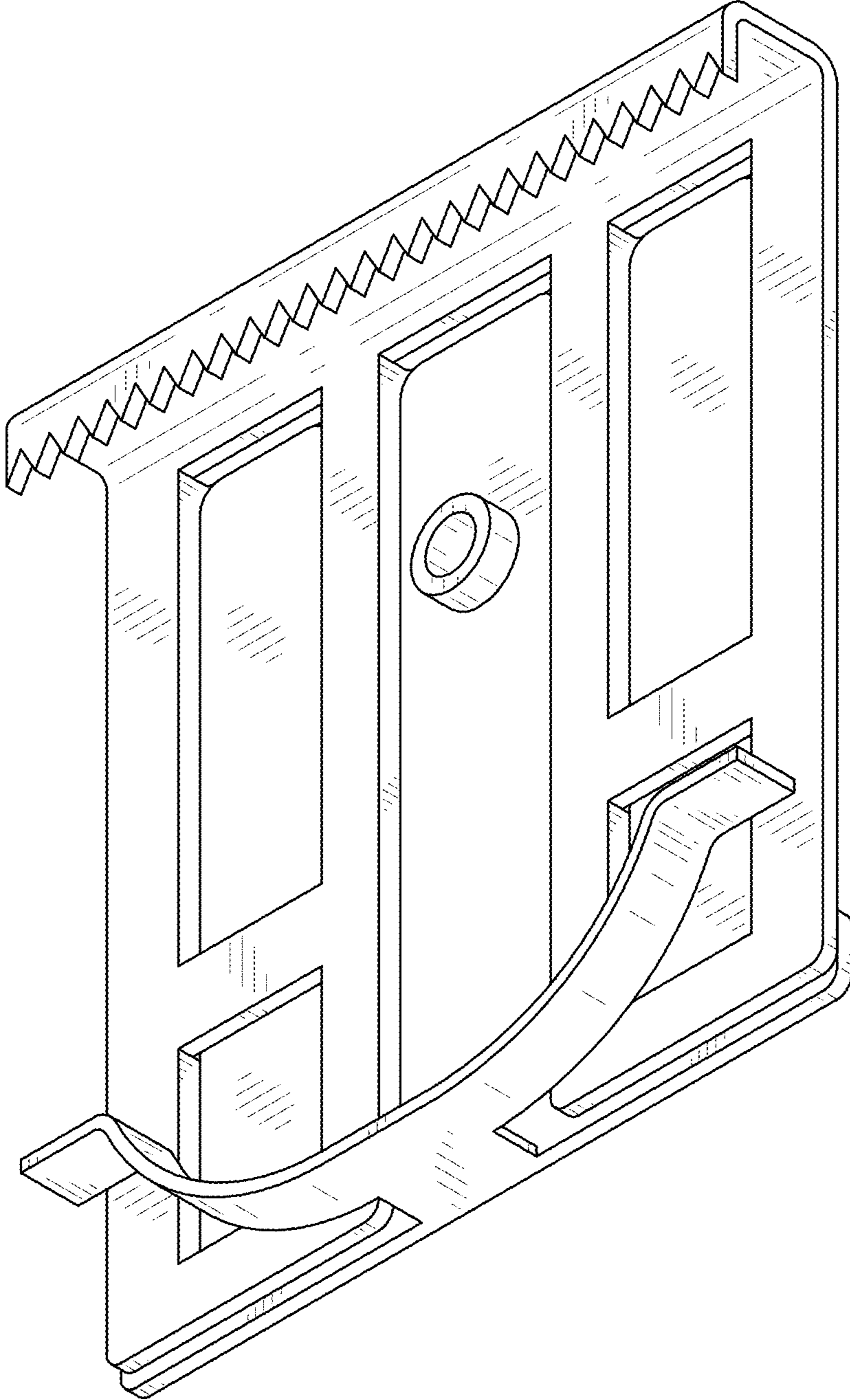


FIG.2

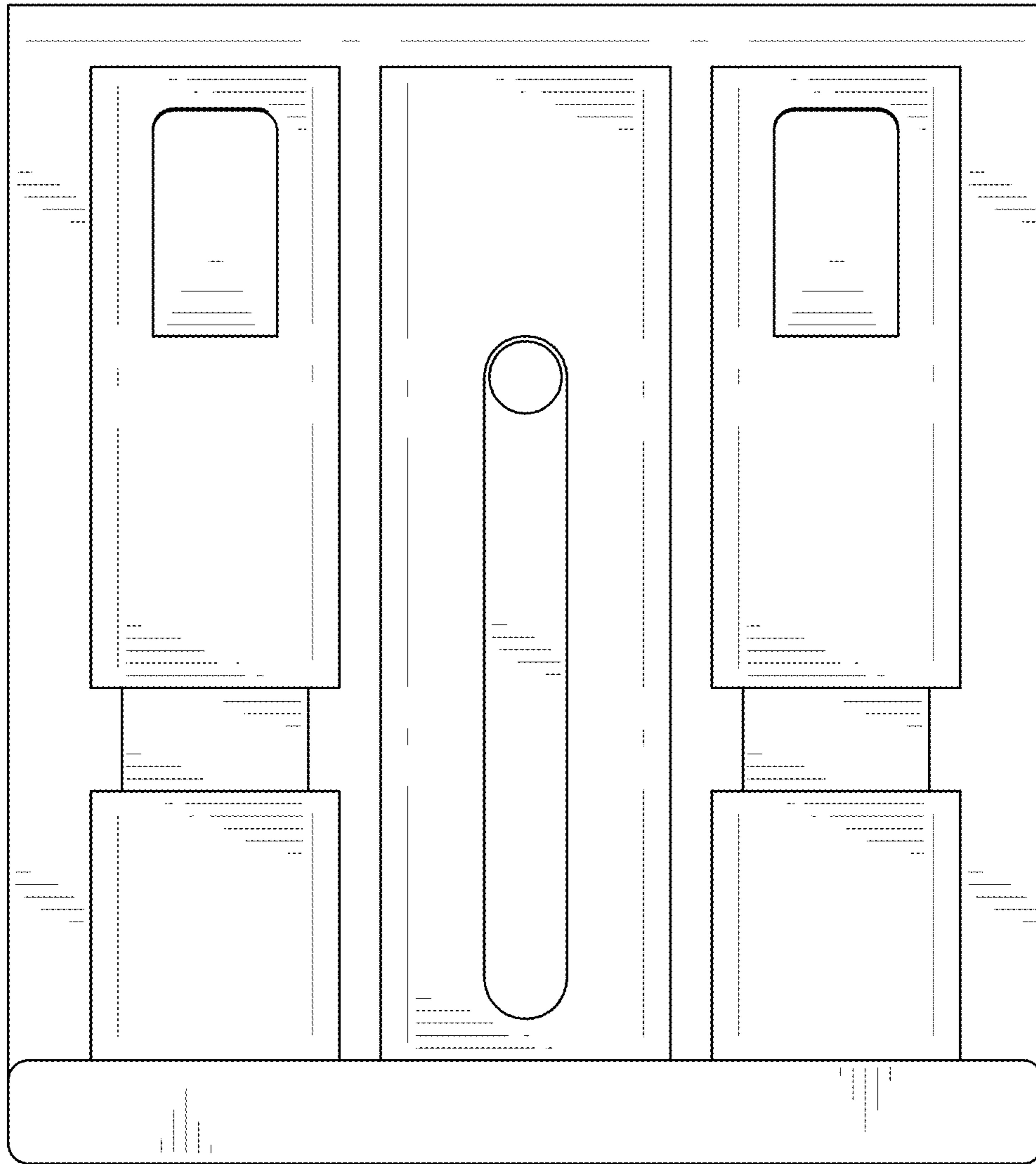


FIG.3

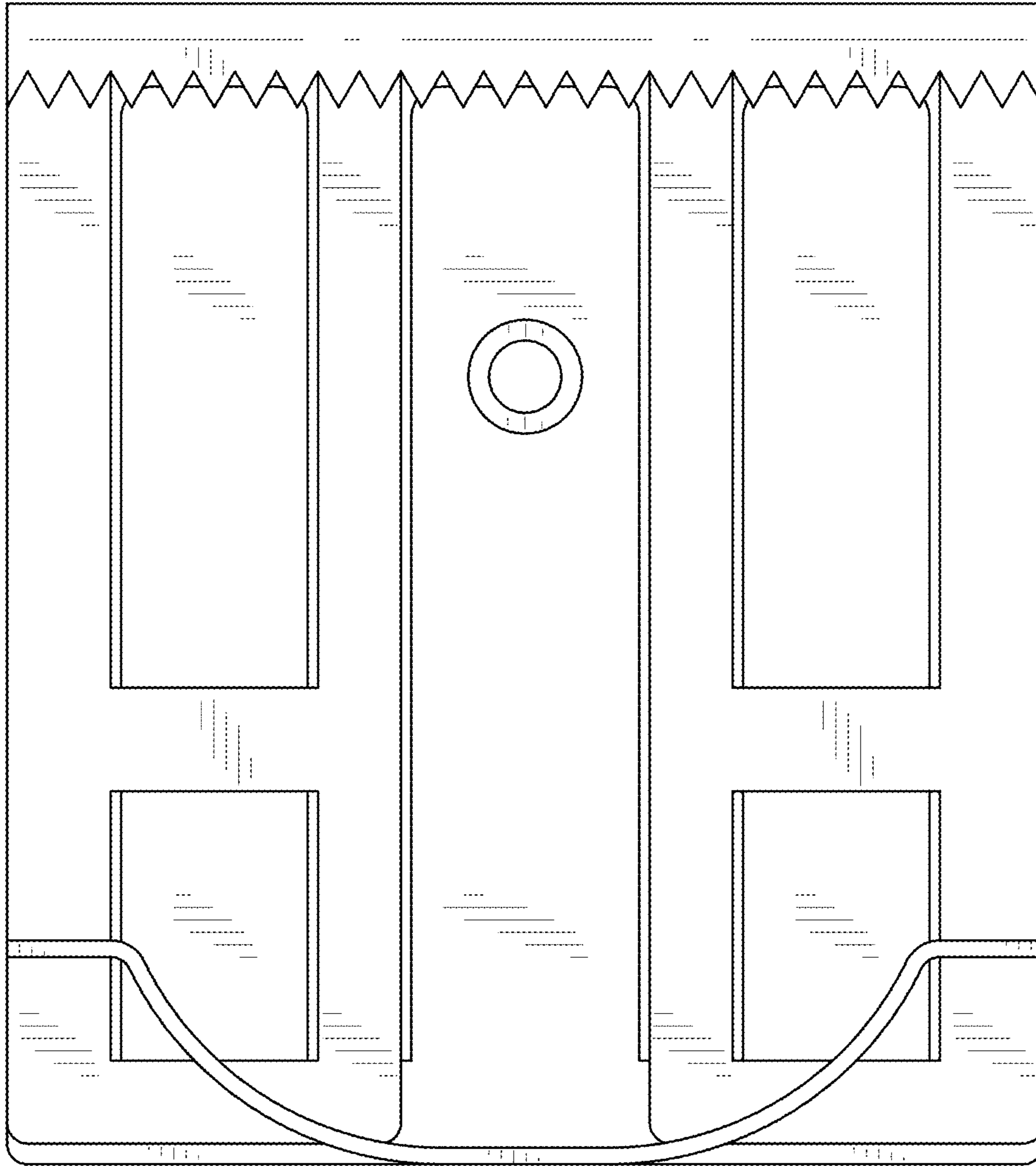


FIG.4

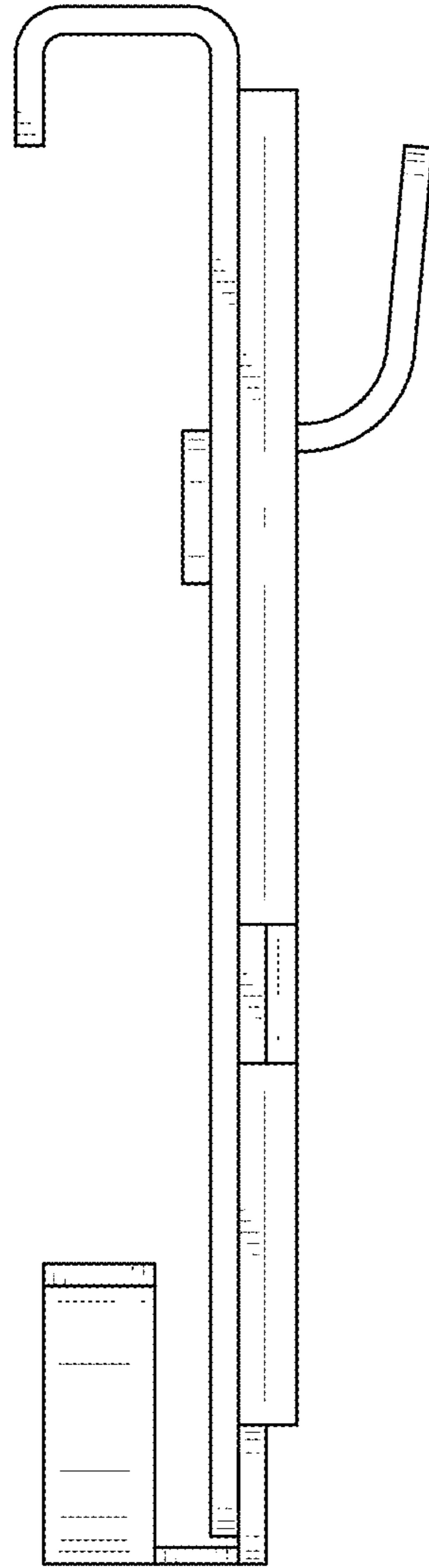


FIG.5

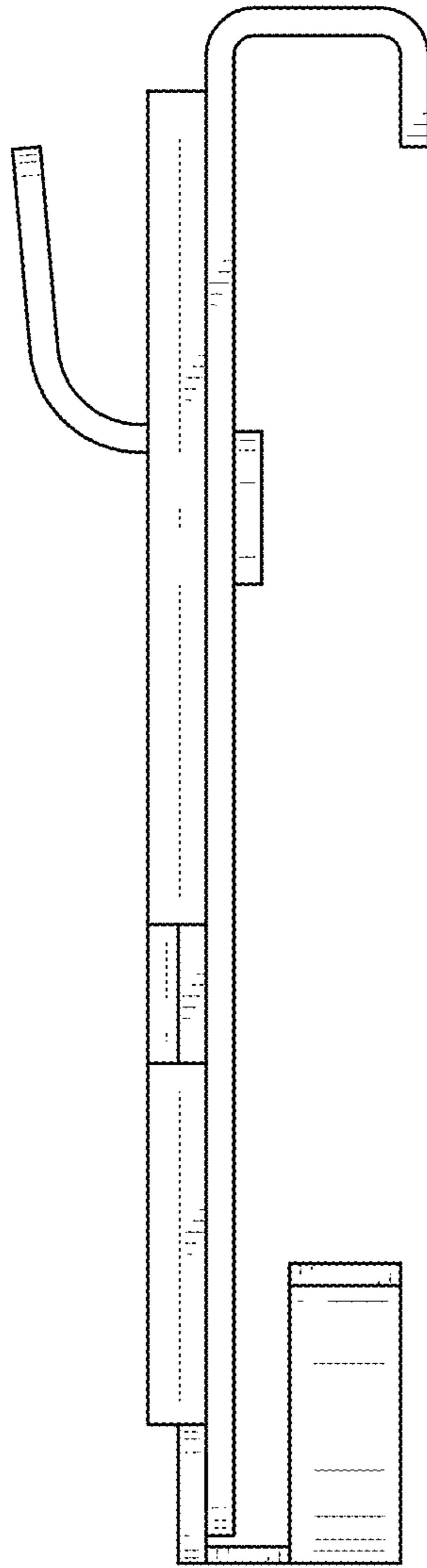


FIG.6



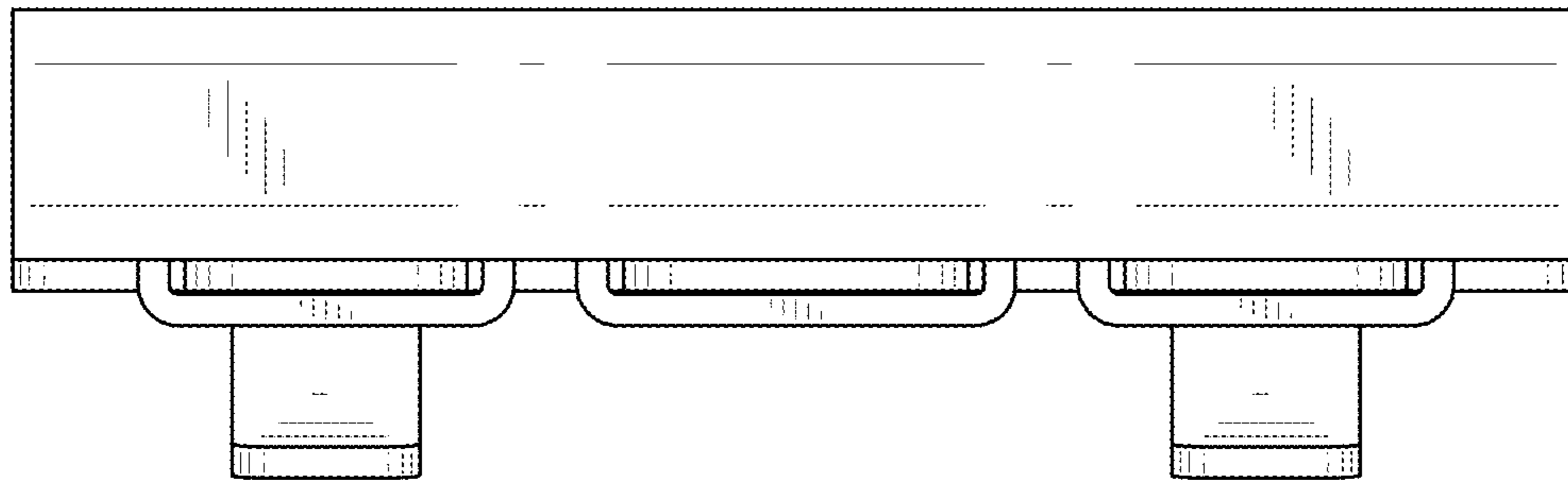


FIG.7

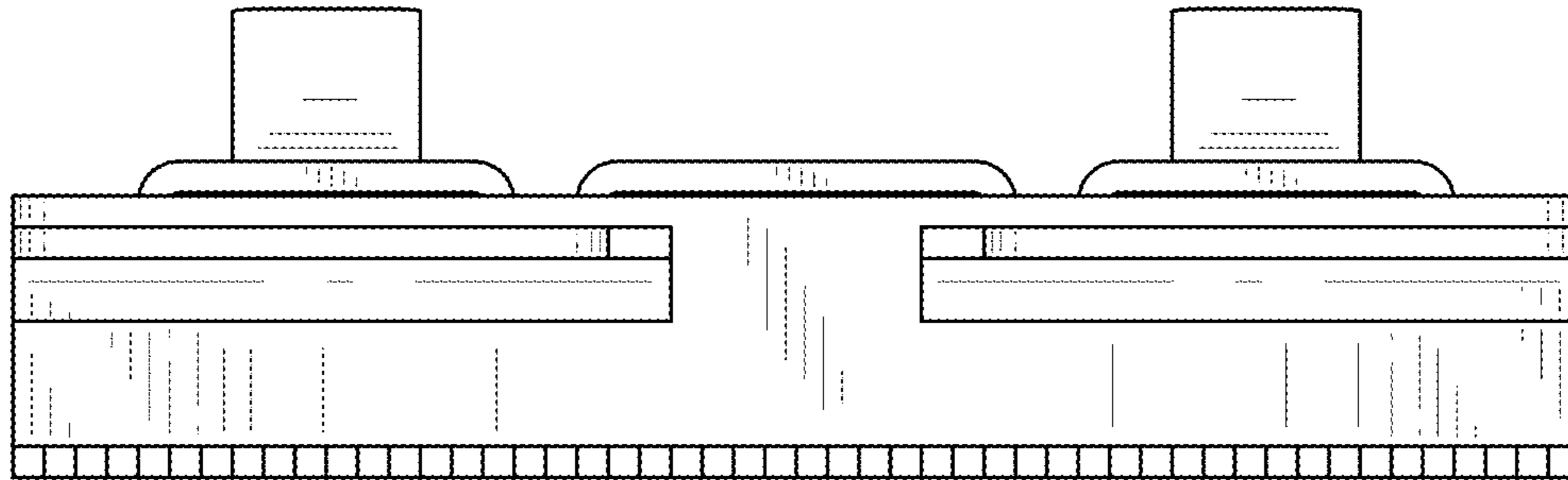


FIG.8