



US00D946382S

(12) **United States Design Patent**  
**Graykowski et al.**

(10) **Patent No.:** **US D946,382 S**  
(45) **Date of Patent:** **\*\* Mar. 22, 2022**

- (54) **CARABINER**
- (71) Applicant: **Milwaukee Electric Tool Corporation**,  
Brookfield, WI (US)
- (72) Inventors: **Anthony S. Graykowski**, Belgium, WI  
(US); **Andrew G. Wagner**, Lisbon, WI  
(US); **Derek Rose**, Menomonee Falls,  
WI (US)
- (73) Assignee: **Milwaukee Electric Tool Corporation**,  
Brookfield, WI (US)
- (\*\*) Term: **15 Years**
- (21) Appl. No.: **29/727,535**
- (22) Filed: **Mar. 11, 2020**

7,922,220 B2	4/2011	Coulombe	
D649,018 S *	11/2011	Kope	D8/367
D658,487 S	5/2012	Chih	
D659,518 S *	5/2012	Xu	D8/356
D730,159 S	5/2015	Grimm et al.	
D730,722 S	6/2015	Grimm et al.	
D743,778 S	11/2015	Huang	
D765,497 S	9/2016	Petzl	
9,500,221 B2	11/2016	Yang et al.	
D788,572 S	6/2017	Votel et al.	
D790,327 S *	6/2017	Renforth	D8/356
D804,270 S *	12/2017	Huang	D8/71
D819,429 S	6/2018	Newing et al.	
D821,090 S *	6/2018	Case	D3/207
D841,115 S *	2/2019	Ishihara	D22/135
D848,823 S *	5/2019	Graykowski	D8/356
D854,401 S	7/2019	Adelman	
D856,118 S	8/2019	Adelman	
D867,855 S *	11/2019	Cowell	D8/356
D869,938 S *	12/2019	Warren	D8/356
D878,910 S *	3/2020	O'Neill	D8/367
D885,871 S *	6/2020	Adelman	D8/356
D902,009 S *	11/2020	Yang	D8/336

(Continued)

**Related U.S. Application Data**

- (62) Division of application No. 29/685,903, filed on Apr. 1, 2019, now Pat. No. Des. 882,378, which is a division of application No. 29/634,242, filed on Jan. 19, 2018, now Pat. No. Des. 848,823.
- (51) **LOC (13) Cl.** ..... **09-06**
- (52) **U.S. Cl.**  
USPC ..... **D8/356**
- (58) **Field of Classification Search**  
USPC ..... D8/356, 354, 349, 367  
CPC . B63B 21/045; A62B 35/0081; B60P 7/0823;  
H04R 1/1033; A44B 13/0029  
See application file for complete search history.

*Primary Examiner* — Cynthia R Underwood

(74) *Attorney, Agent, or Firm* — Reinhart Boerner Van Deuren s.c.

(57) **CLAIM**

We claim the ornamental design for a carabiner, as shown and described.

**DESCRIPTION**

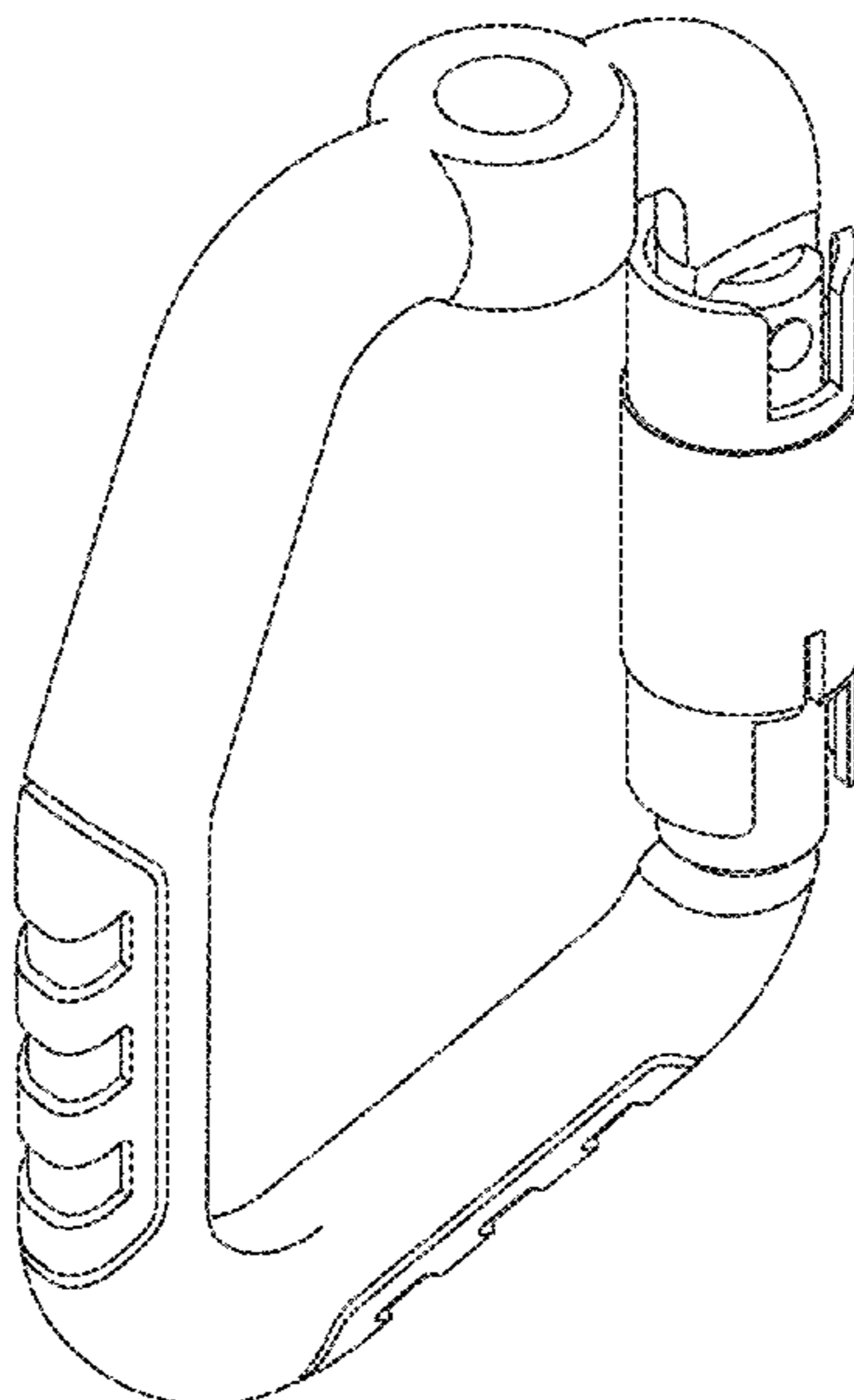
FIG. 1 is a perspective view of the carabiner according to the invention;  
FIG. 2 is a right side view of the carabiner of FIG. 1;  
FIG. 3 is a left side view of the carabiner of FIG. 1;  
FIG. 4 is a back side view of the carabiner of FIG. 1;  
FIG. 5 is a front side view of the carabiner of FIG. 1  
FIG. 6 is a top side view of the carabiner of FIG. 1; and,  
FIG. 7 is a bottom side view of the carabiner of FIG. 1.

(56) **References Cited**

**U.S. PATENT DOCUMENTS**

D483,647 S *	12/2003	Lo	D8/333
7,444,723 B2	11/2008	Lin	
D625,988 S *	10/2010	Chan	D8/367
D626,908 S	11/2010	Marcaccio	

**1 Claim, 4 Drawing Sheets**



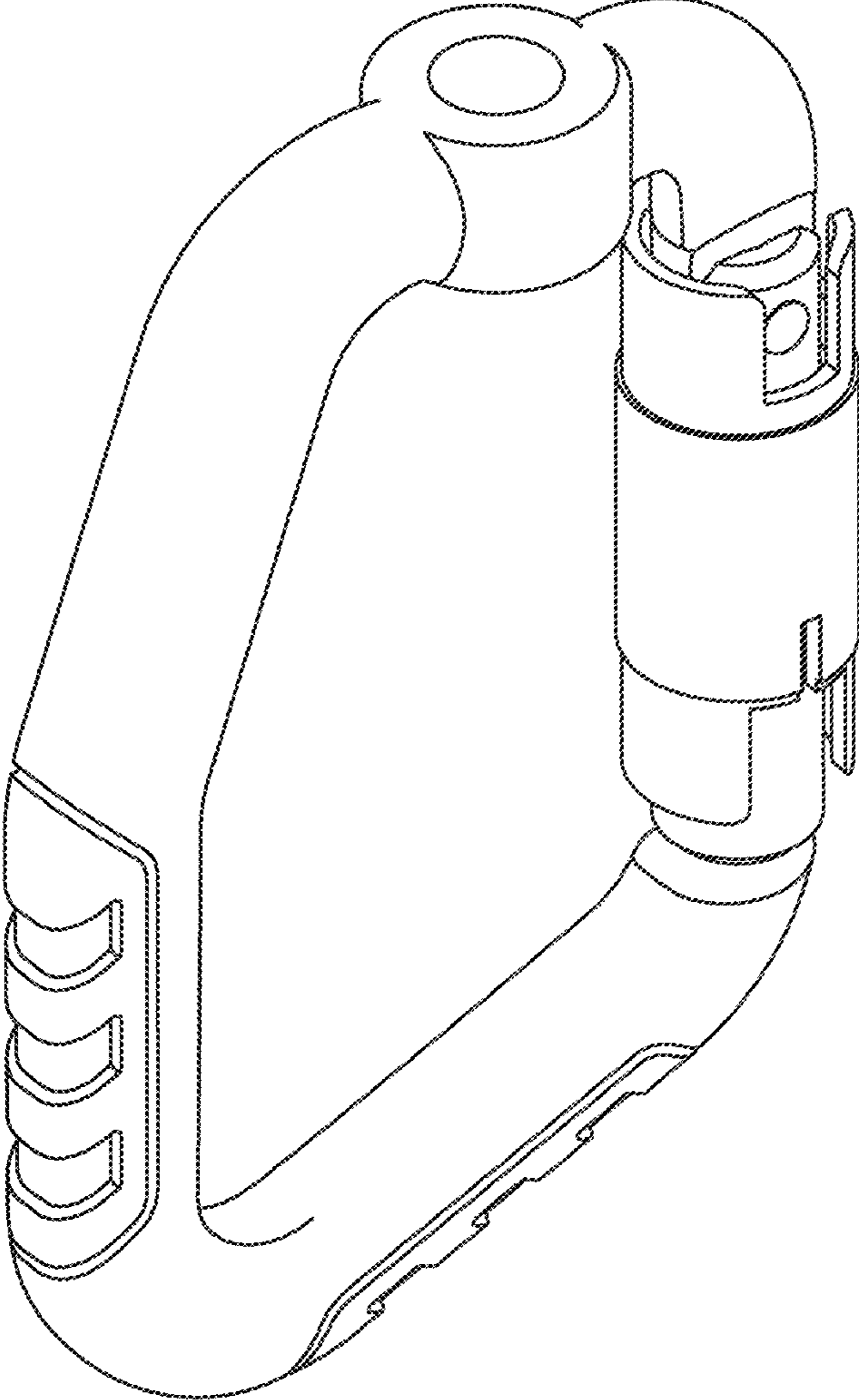
(56)

**References Cited**

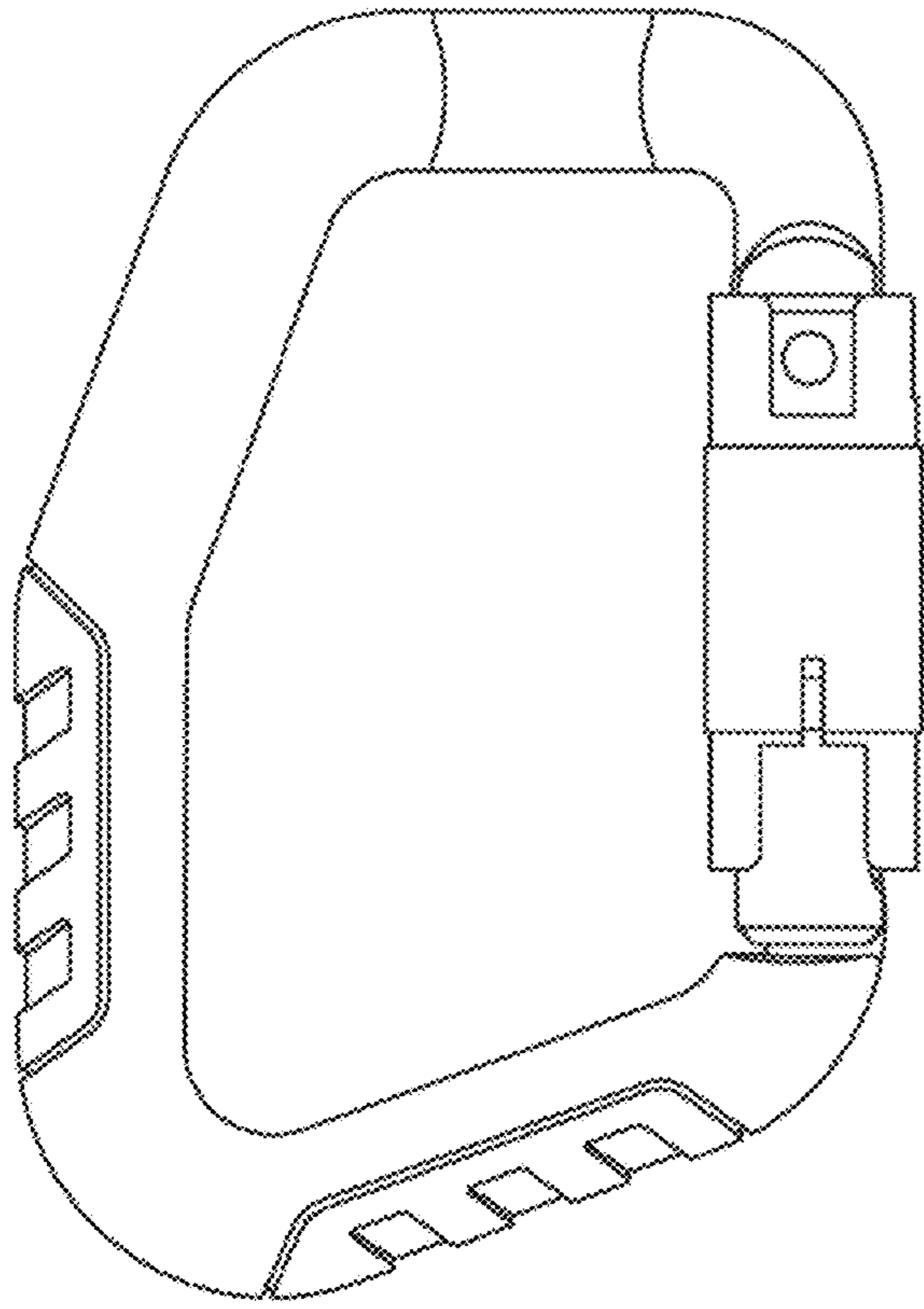
U.S. PATENT DOCUMENTS

D931,715 S \* 9/2021 Hung ..... D8/356  
2012/0011688 A1\* 1/2012 Yang ..... F16B 45/02  
24/599.8  
2013/0219673 A1 8/2013 Perner  
2014/0110956 A1 4/2014 Lin  
2014/0123447 A1\* 5/2014 Calvert ..... F16B 45/021  
24/599.9  
2014/0138191 A1 5/2014 Chabod et al.  
2014/0245576 A1 9/2014 Perner  
2015/0000613 A1\* 1/2015 Cooke ..... E05B 37/025  
119/795  
2016/0061251 A1\* 3/2016 Rogelja ..... A63B 29/02  
24/598.3  
2016/0281766 A1\* 9/2016 Moine ..... A62B 35/0037  
2016/0361578 A1 12/2016 Casebolt et al.  
2016/0363159 A1\* 12/2016 Yeh ..... F16B 45/02  
2016/0376129 A1 12/2016 Hendrix et al.

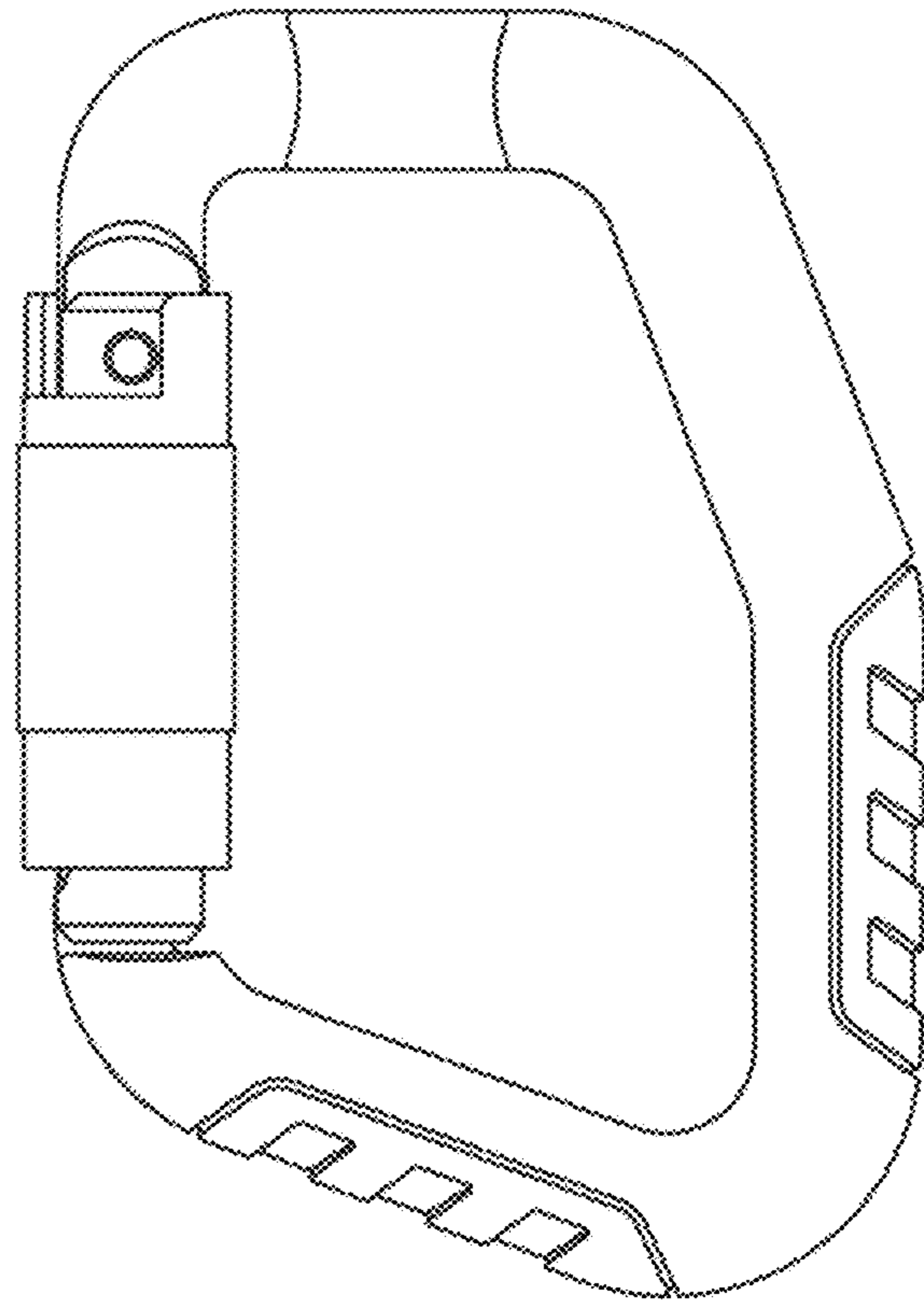
\* cited by examiner



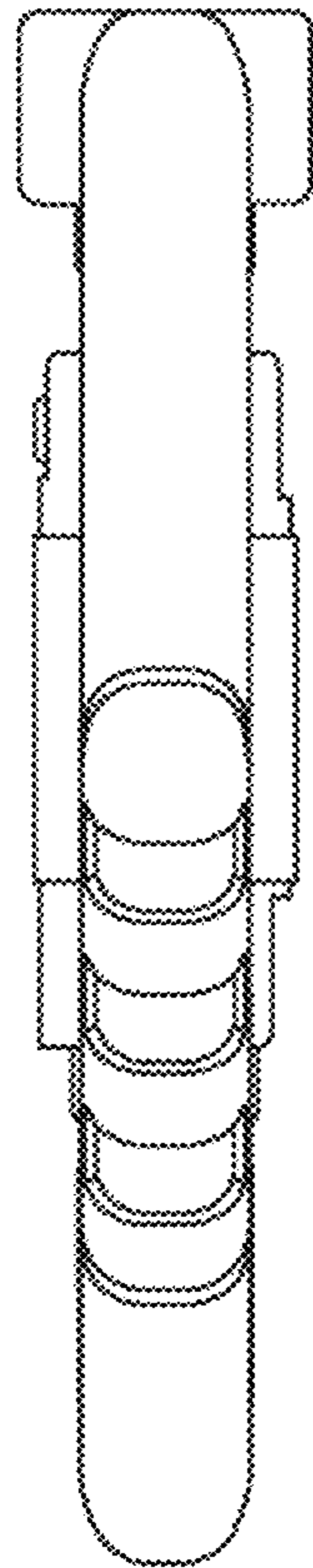
**FIG. 1**



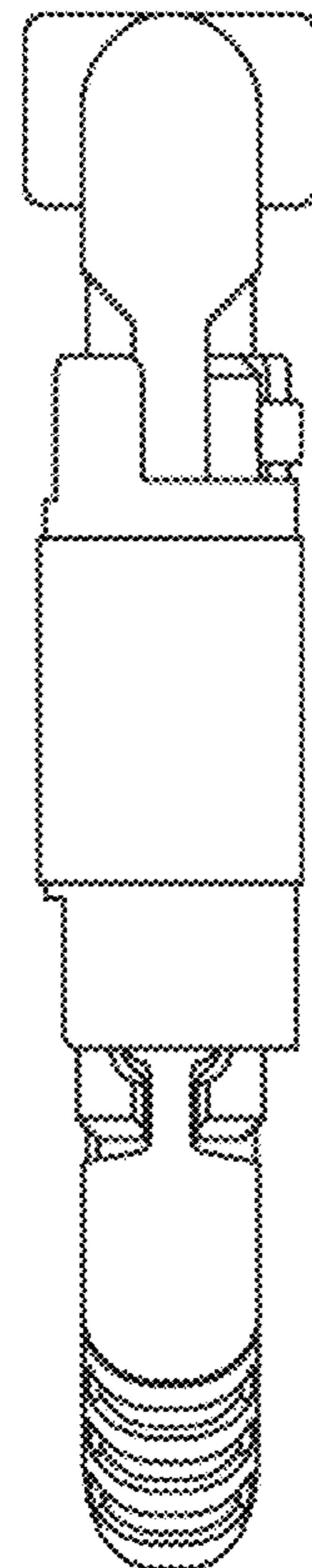
**FIG. 2**



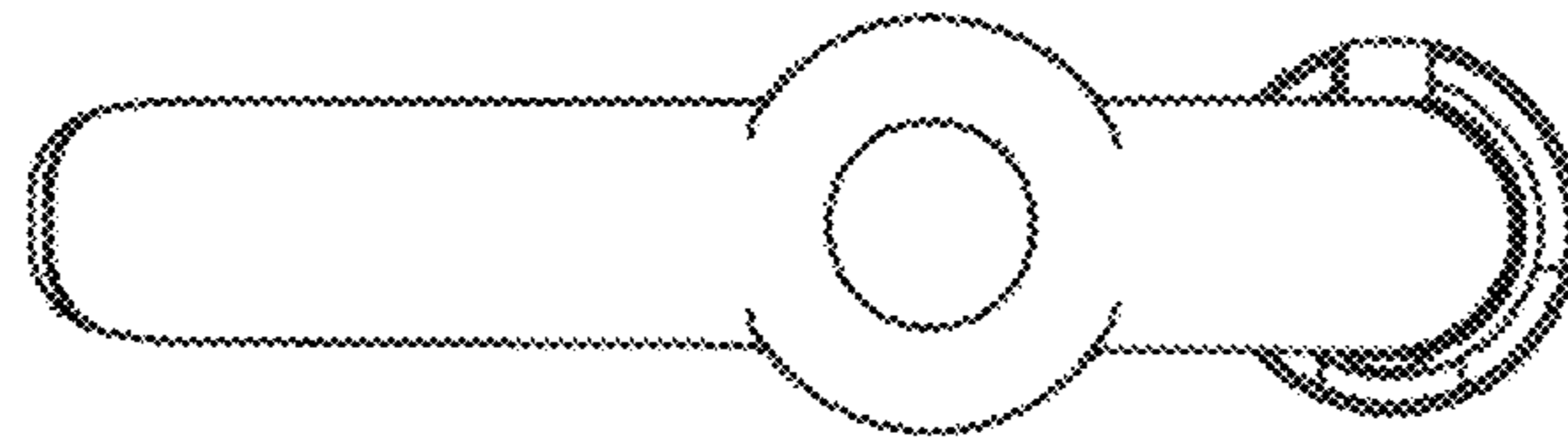
**FIG. 3**



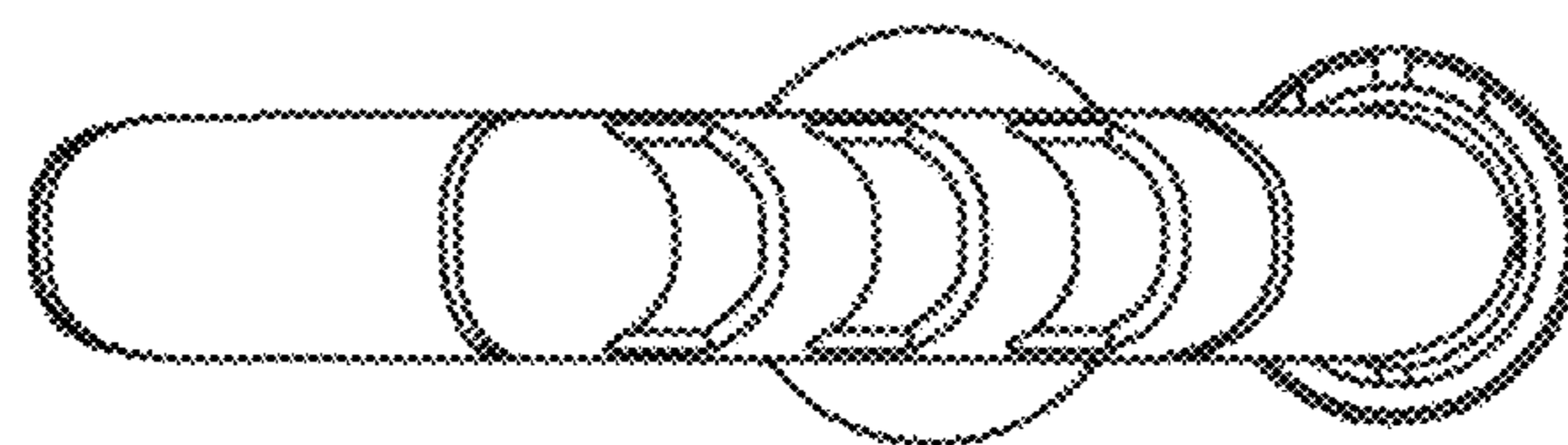
**FIG. 4**



**FIG. 5**



**FIG. 6**



**FIG. 7**