



US00D946378S

(12) **United States Design Patent**
Hummel

(10) **Patent No.:** **US D946,378 S**
(45) **Date of Patent:** **** Mar. 22, 2022**

(54) **CORNER CLAMPING BAR**

- (71) Applicant: **Woodpeckers, LLC**, Strongsville, OH (US)
- (72) Inventor: **Richard M. Hummel**, Parma, OH (US)
- (73) Assignee: **Woodpeckers, LLC**, Strongsville, OH (US)
- (**) Term: **15 Years**
- (21) Appl. No.: **29/683,942**
- (22) Filed: **Mar. 18, 2019**

Related U.S. Application Data

- (63) Continuation-in-part of application No. 29/677,116, filed on Jan. 17, 2019, now abandoned.
- (51) **LOC (13) Cl.** **08-05**
- (52) **U.S. Cl.**
USPC **D8/354**
- (58) **Field of Classification Search**
USPC D8/354, 356, 371, 373, 380, 394-396
CPC A47B 96/061; A47B 57/562; A47B 73/00;
A47B 81/007
See application file for complete search history.

(56) **References Cited**

U.S. PATENT DOCUMENTS

3,184,800	A	5/1965	Nelson	
4,676,686	A *	6/1987	Eisenloffel	A47G 1/101
				403/402
4,694,519	A *	9/1987	Benoit	A47C 19/02
				403/205
4,812,075	A *	3/1989	Lavin, Sr.	A47B 96/06
				403/205
4,825,529	A *	5/1989	Sawada	A47G 1/101
				29/897.3
5,189,820	A	3/1993	Komamura	
5,199,681	A	4/1993	Reidy	
D342,662	S *	12/1993	Lavin, Sr.	D8/354

(Continued)

OTHER PUBLICATIONS

Woodpeckers, <https://www.woodpeck.com/clamping-squares-plus.html>, Clamping Squares Plus & CSP Clamps, Jun. 20, 2021 (Year: 2021).*

(Continued)

Primary Examiner — Keli L Hill

Assistant Examiner — Harold E Blackwell, II

(74) *Attorney, Agent, or Firm* — Sand, Sebolt & Wernow Co., LPA

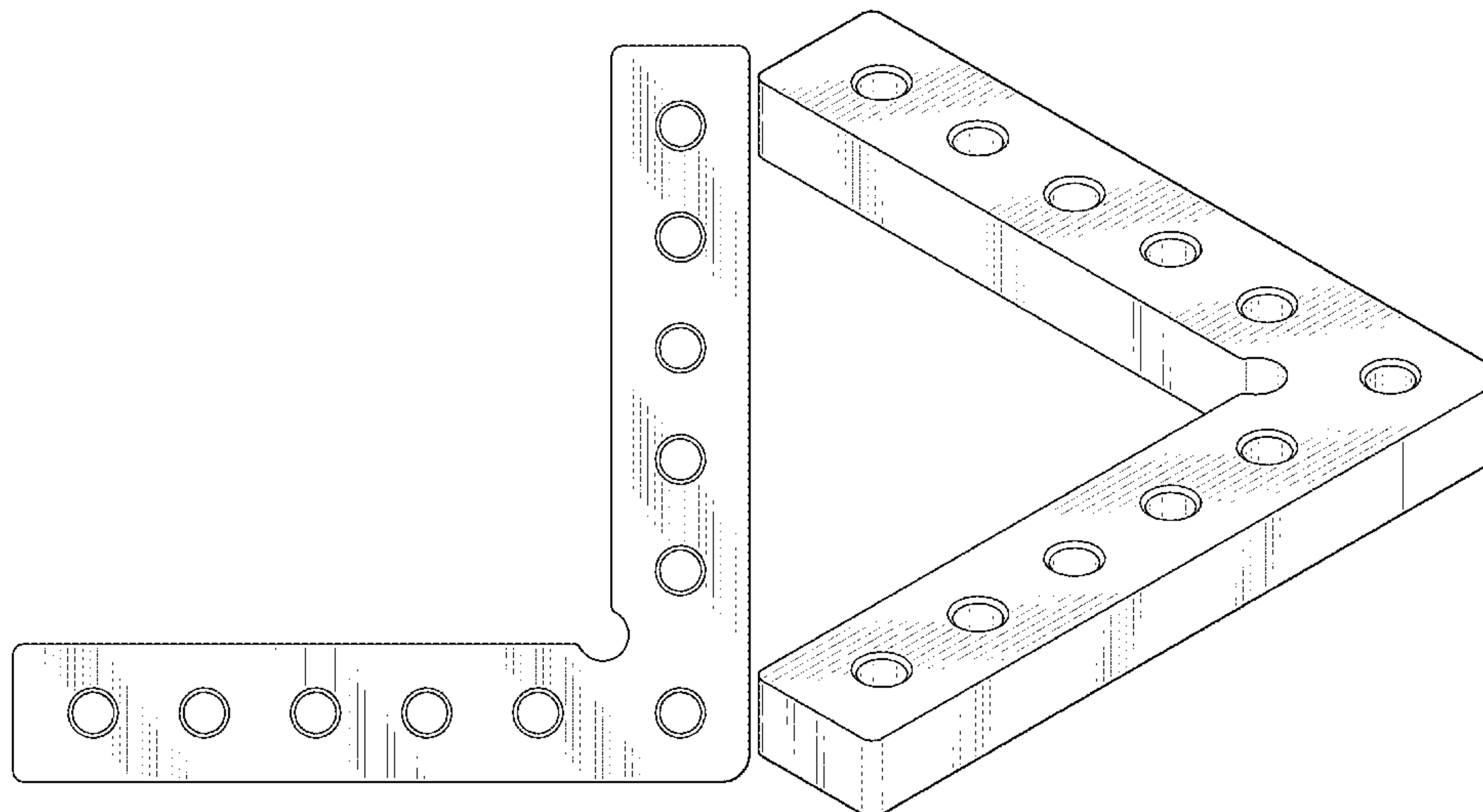
(57) **CLAIM**

The ornamental design for a corner clamping bar, as shown and described.

DESCRIPTION

FIG. 1 is a top plan view of a corner clamping bar in accordance with my design;
 FIG. 2 is a bottom plan view of a corner clamping bar in accordance with my design.
 FIG. 3 is a right side elevation view of a corner clamping bar as viewed from the top of FIG. 1 and in accordance with my design.
 FIG. 4 is a front elevation view of a corner clamping bar as viewed from the bottom of FIG. 1 and in accordance with my design.
 FIG. 5 is a rear elevation view of a corner clamping bar as viewed from the right of FIG. 1 and in accordance with my design.
 FIG. 6 is a left side elevation view of a corner clamping bar as viewed from the left of FIG. 1 and in accordance with my design.
 FIG. 7 is an overhead perspective view of a corner clamping bar in accordance with my design; and,
 FIG. 8 is a bottom perspective view of a corner clamping bar in accordance with my design.

1 Claim, 4 Drawing Sheets



(56)

References Cited

U.S. PATENT DOCUMENTS

5,384,978	A *	1/1995	Peters	A47G 1/101 40/785
D380,958	S *	7/1997	Beard, Jr.	D25/102
D400,080	S *	10/1998	Beard, Jr.	D8/354
D414,400	S *	9/1999	Williams	D8/382
D434,638	S *	12/2000	McLauchlan	D8/354
6,393,676	B1 *	5/2002	Dowzall	A47G 1/101 24/568
6,474,037	B2	11/2002	Thompson	
D572,566	S *	7/2008	Kahonen	D8/300
D647,385	S *	10/2011	Watts	D8/349
D729,042	S *	5/2015	Guzzoni	D8/349
D753,465	S	4/2016	Marsh	
9,839,307	B2	12/2017	Krake et al.	
D829,086	S *	9/2018	Hynek	D8/382
10,284,137	B2	3/2019	Meznarich	
D869,256	S *	12/2019	Kedziora	D8/71
D878,184	S	3/2020	Holloway	
2007/0210234	A1	9/2007	Lin	
2017/0055730	A1	3/2017	Krake et al.	

OTHER PUBLICATIONS

Youtube, <https://www.youtube.com/watch?v=ISctOogsfts&t=4s>,
Clamping Square Plus & CSP Clamp, Dec. 27, 2018 (Year: 2018).*

* cited by examiner

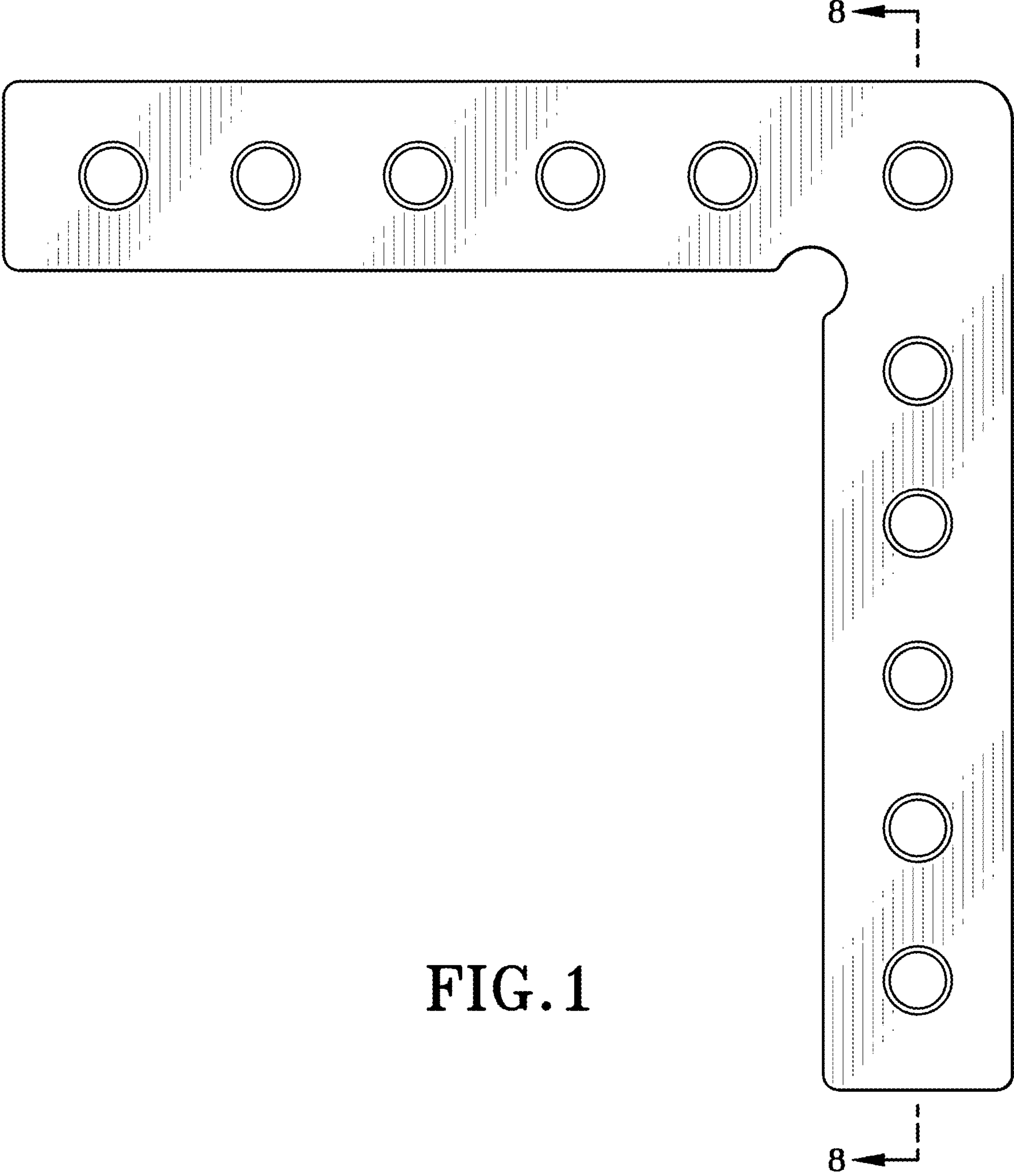


FIG. 1

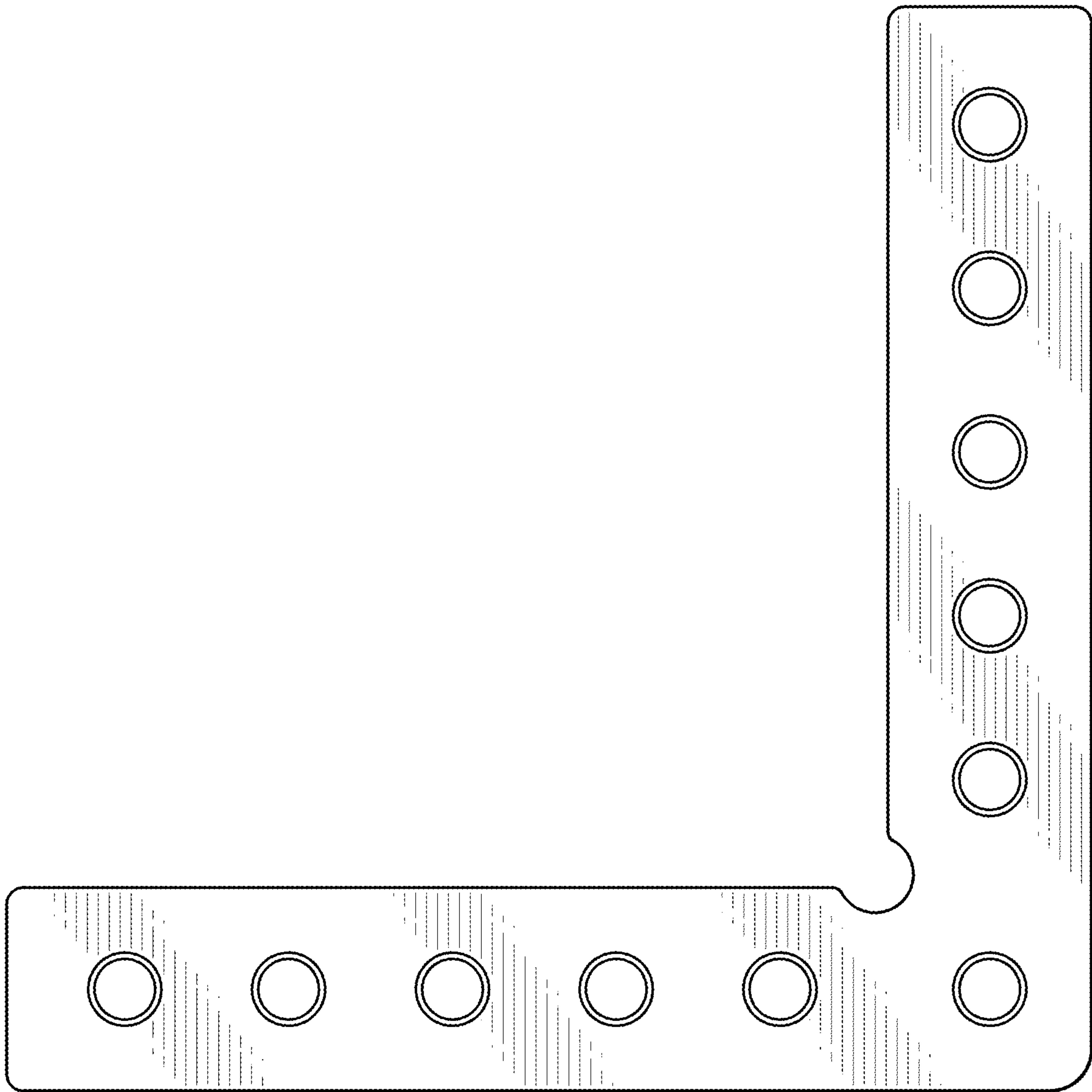


FIG.2

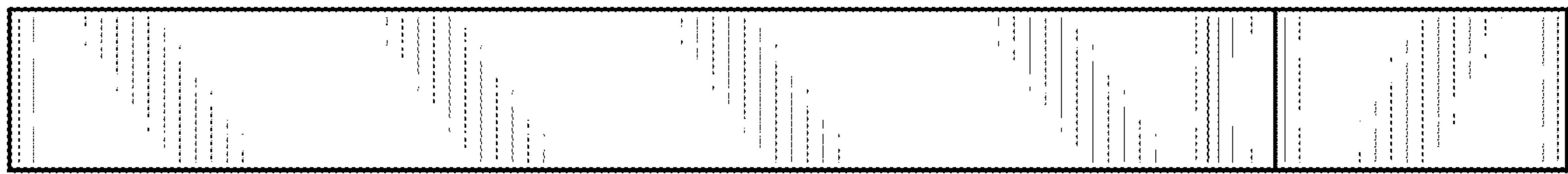


FIG. 3

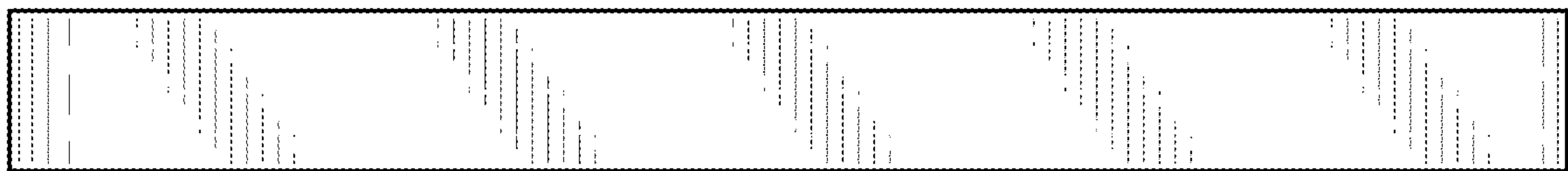


FIG. 4

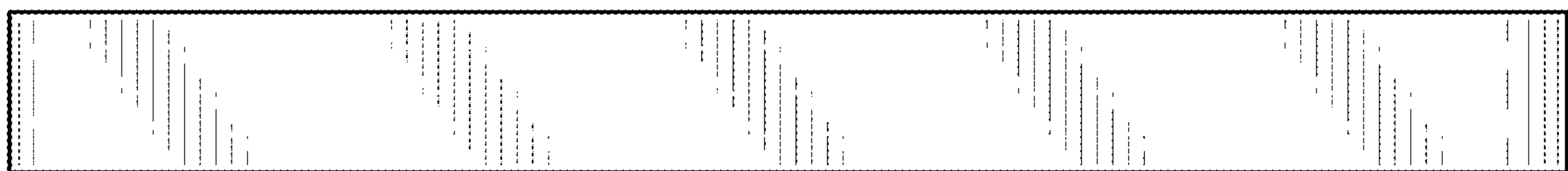


FIG. 5

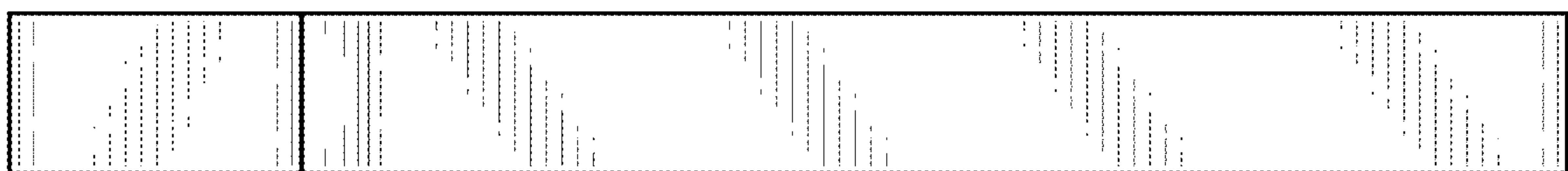


FIG. 6

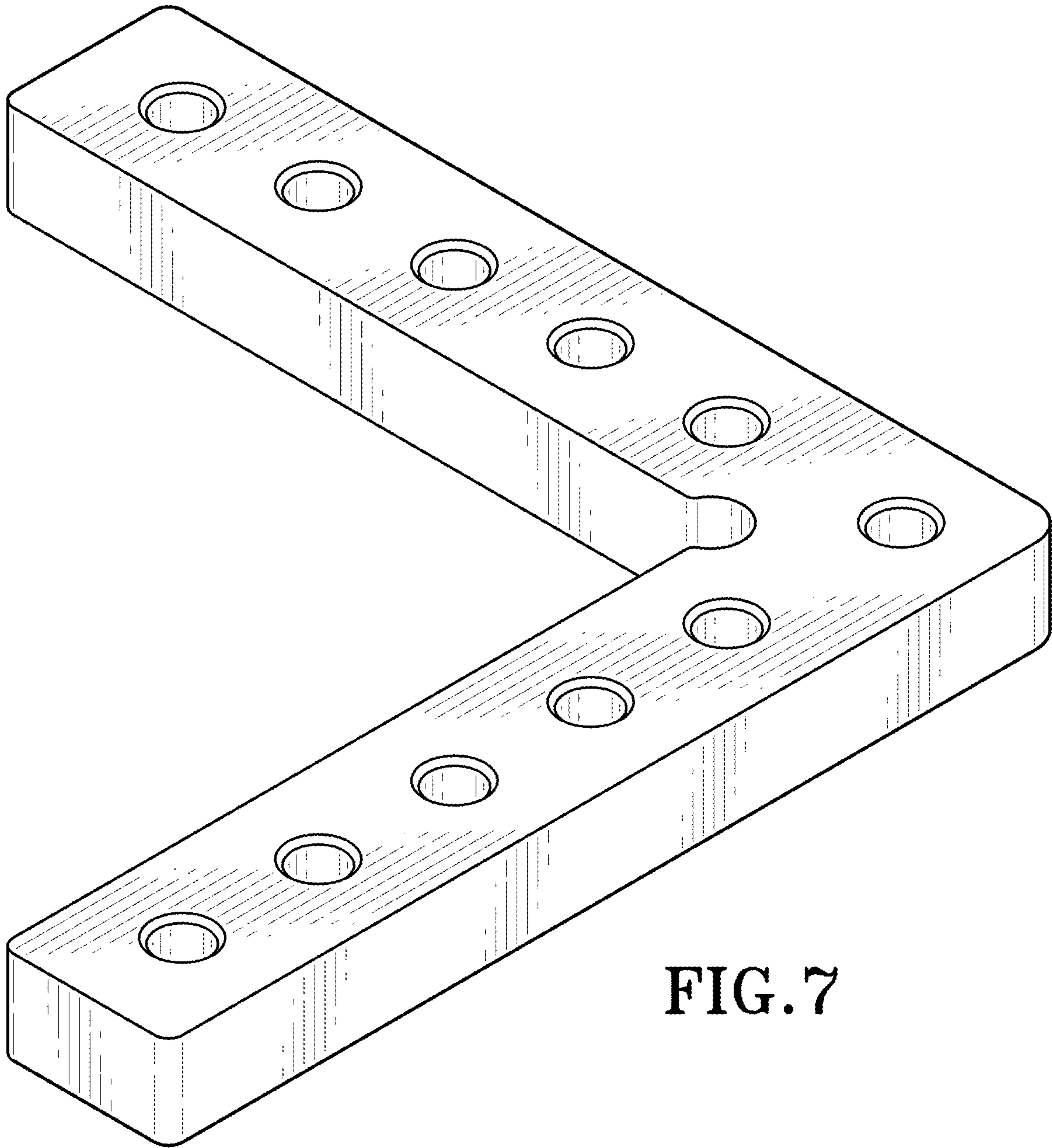


FIG. 7

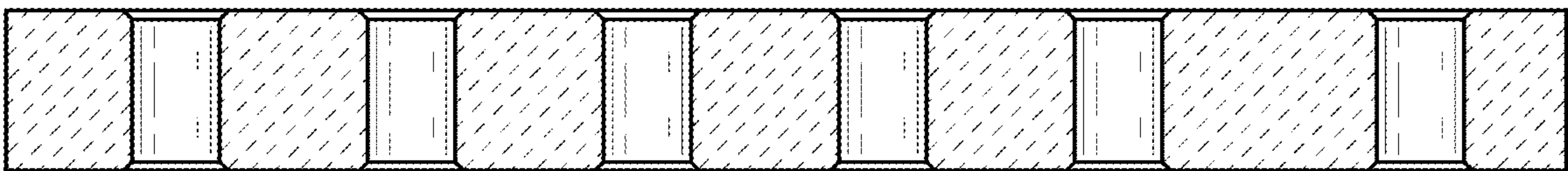


FIG. 8