



US00D946376S

(12) **United States Design Patent**
Dang et al.

(10) **Patent No.:** **US D946,376 S**
(45) **Date of Patent:** **** Mar. 22, 2022**

(54) **DOOR OPERATOR UNIT**

FOREIGN PATENT DOCUMENTS

(71) Applicant: **AUTOMATIC TECHNOLOGY (AUSTRALIA) PTY LTD,**
Keysborough (AU)

CN 3642156 * 7/2006
CN 3651225 * 8/2006

(Continued)

(72) Inventors: **Toan Dang,** Keysborough (AU);
George Matthews, Keysborough (AU);
Travis Smith, Keysborough (AU);
Raymond Hawkins, Keysborough (AU)

OTHER PUBLICATIONS

(73) Assignee: **AUTOMATIC TECHNOLOGY (AUSTRALIA) PTY LTD,**
Keysborough (AU)

Steel Line, Roller Door Opener SR1000, Date first available Sep. 20, 2020, retrieved from Wayback Machine Mar. 8, 2021, <https://web.archive.org/web/20200920164351/https://www.steel-line.com.au/wp-content/uploads/2020/05/Marantec-SR1000-brochure-M-style.pdf> (Year: 2020).*

(**) Term: **15 Years**

(Continued)

(21) Appl. No.: **29/683,973**

(22) Filed: **Mar. 18, 2019**

(30) **Foreign Application Priority Data**

Primary Examiner — Keli L Hill

Assistant Examiner — Sara S Sahneh

(74) *Attorney, Agent, or Firm* — Sheridan Ross P.C.

Sep. 21, 2018 (AU) 201815702

(51) **LOC (13) Cl.** **08-07**

(52) **U.S. Cl.**

USPC **D8/330**

(58) **Field of Classification Search**

USPC D8/330-333, 336, 338, 343-346,
D8/300-302, 306-329; 70/91, 277, 336,
70/280, 14, 51, 52, 57.1, 67, 69, 78, 85,
70/86, 88, 141; 292/340-346, 180

CPC H02K 7/116; H02K 5/26; E05Y 2201/244;
E05Y 2400/612; E05Y 2900/00; E05Y
2800/22; E05Y 2800/176; E05Y
2800/205; E05Y 2800/72; Y10T
74/19684; Y10T 74/19633; E06B 9/60;
E06B 9/56; E06B

(Continued)

(57) **CLAIM**

The ornamental design for a door operator unit, as shown and described.

DESCRIPTION

FIG. 1 is a rear view of a door operator unit;
FIG. 2 is a right side view of a door operator unit;
FIG. 3 is a bottom view of a door operator unit;
FIG. 4 is top view of a door operator unit;
FIG. 5 is a front view of a door operator unit;
FIG. 6 is a rear isometric view of a door operator unit; and,
FIG. 7 is a front isometric view of a door operator unit.
The broken lines shown are included for the purpose of illustrating portions of the door operator unit that form no part of the claim.

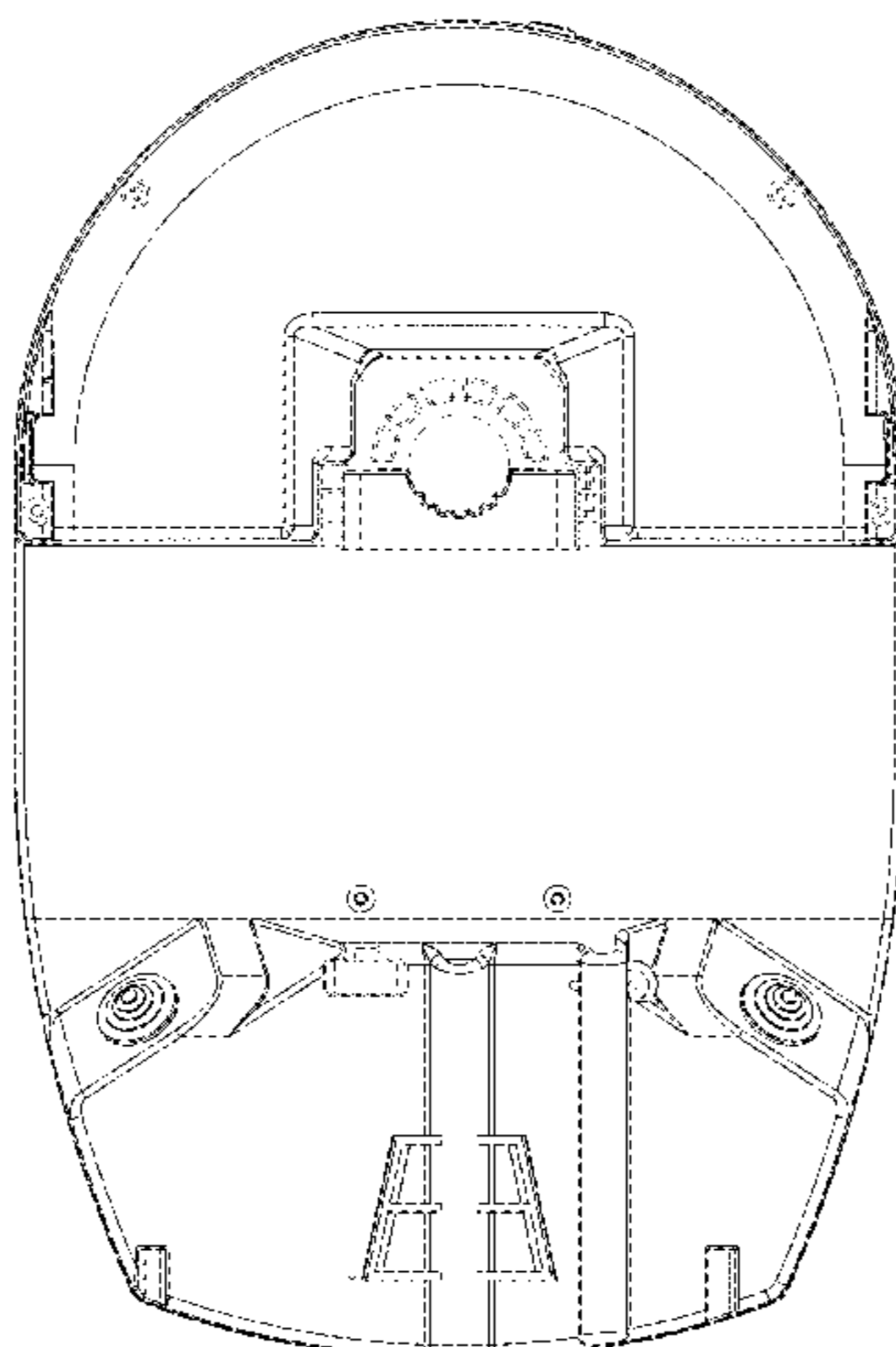
(56) **References Cited**

U.S. PATENT DOCUMENTS

6,422,965 B1 * 7/2002 Balli E06B 9/74
160/310
8,397,787 B1 * 3/2013 Daus E05D 13/003
160/9

(Continued)

1 Claim, 7 Drawing Sheets



(58) **Field of Classification Search**

CPC 9/82; E06B 9/80; E06B 9/174; E06B 9/68;
 E06B 2009/6818; E05D 13/1261; B25B
 13/5016; E05F 15/43; E05F 15/77
 See application file for complete search history.

2019/0003233 A1* 1/2019 Shao F16H 57/039
 2020/0309203 A1* 10/2020 Risher E06B 9/68
 2021/0002958 A1* 1/2021 Meyerink E06B 9/68

(56) **References Cited**

U.S. PATENT DOCUMENTS

2004/0016313 A1* 1/2004 Liu E06B 9/72
 74/395
 2005/0133171 A1* 6/2005 Fan E06B 9/60
 160/313
 2007/0012410 A1* 1/2007 Savard E06B 9/62
 160/315
 2007/0193384 A1* 8/2007 Hormann H02K 7/116
 74/421 A
 2008/0016977 A1* 1/2008 Hsieh E05F 1/006
 74/473.16
 2009/0108245 A1* 4/2009 Daus F16H 1/28
 254/354
 2010/0096092 A1* 4/2010 Liu E05F 15/70
 160/310
 2017/0260804 A1* 9/2017 Wu F16D 67/02

FOREIGN PATENT DOCUMENTS

CN 301047695 * 11/2008
 CN 301116268 * 1/2009
 EM 000256755-0001 * 11/2004

OTHER PUBLICATIONS

Automatic Technology, HIRO GDO-12, Date first available Sep. 20, 2020, retrieved from Wayback Mar. 8, 2021, Machine <https://web.archive.org/web/20190311124618/https://www.ata-aust.com.au/getattachment/0069cec2-6438-4e9b-bdea-6f1907f089e8/Brochure.aspx> (Year: 2020).*

Surpass, Steel Rolling Door Opener, Date first available Aug. 18, 2019, [online] retrieved Mar. 6, 2021, available from https://www.amazon.com/Rolling-Opener-Surpass-Decibel-Garage/dp/B07WR4QPSG/ref=sr_1_2?dchild=1&keywords=Roller+Door+Opener+SR1000&qid=1615063584&sr=8-2 (Year: 2019).*

* cited by examiner

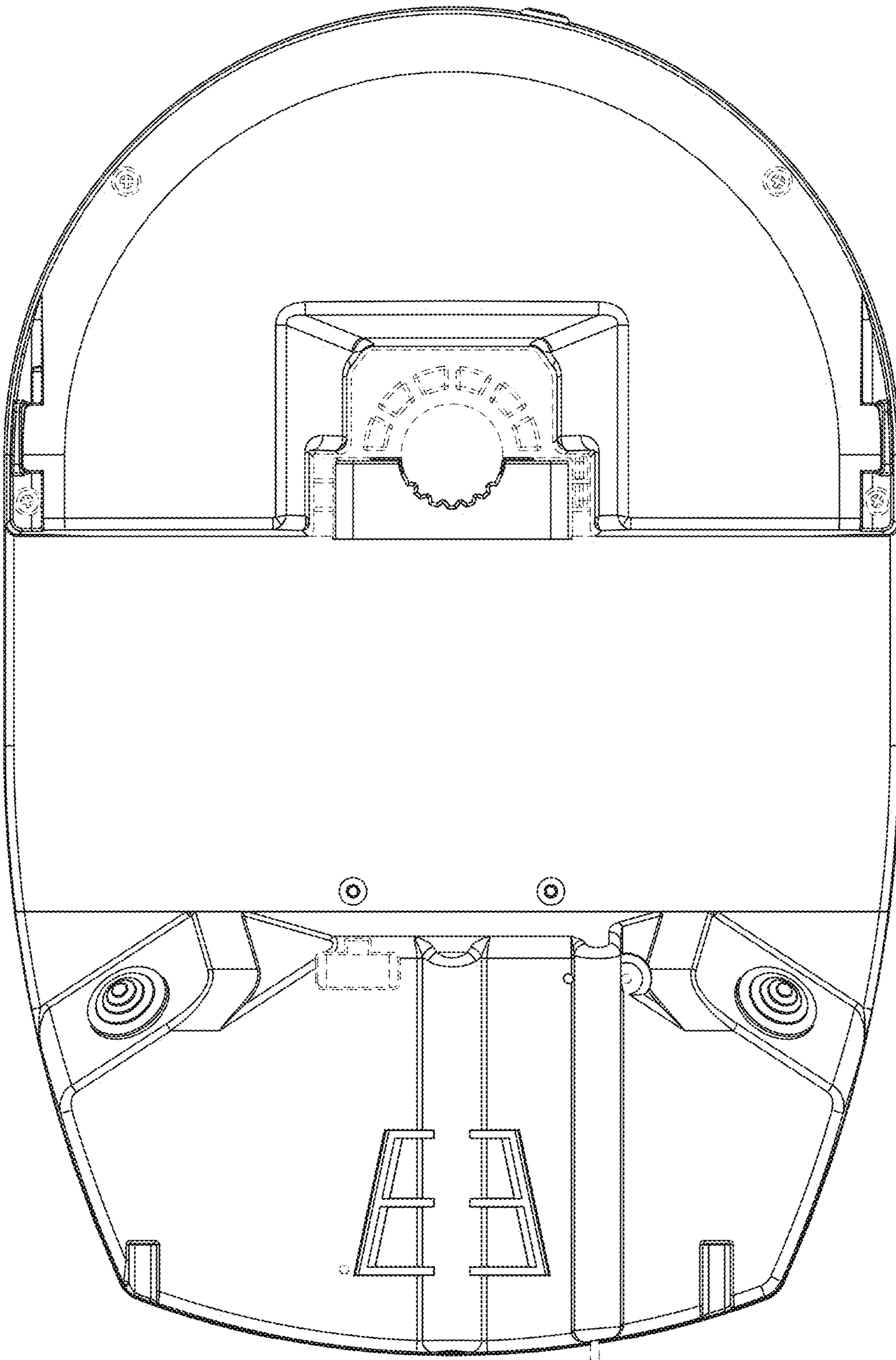


FIG. 1

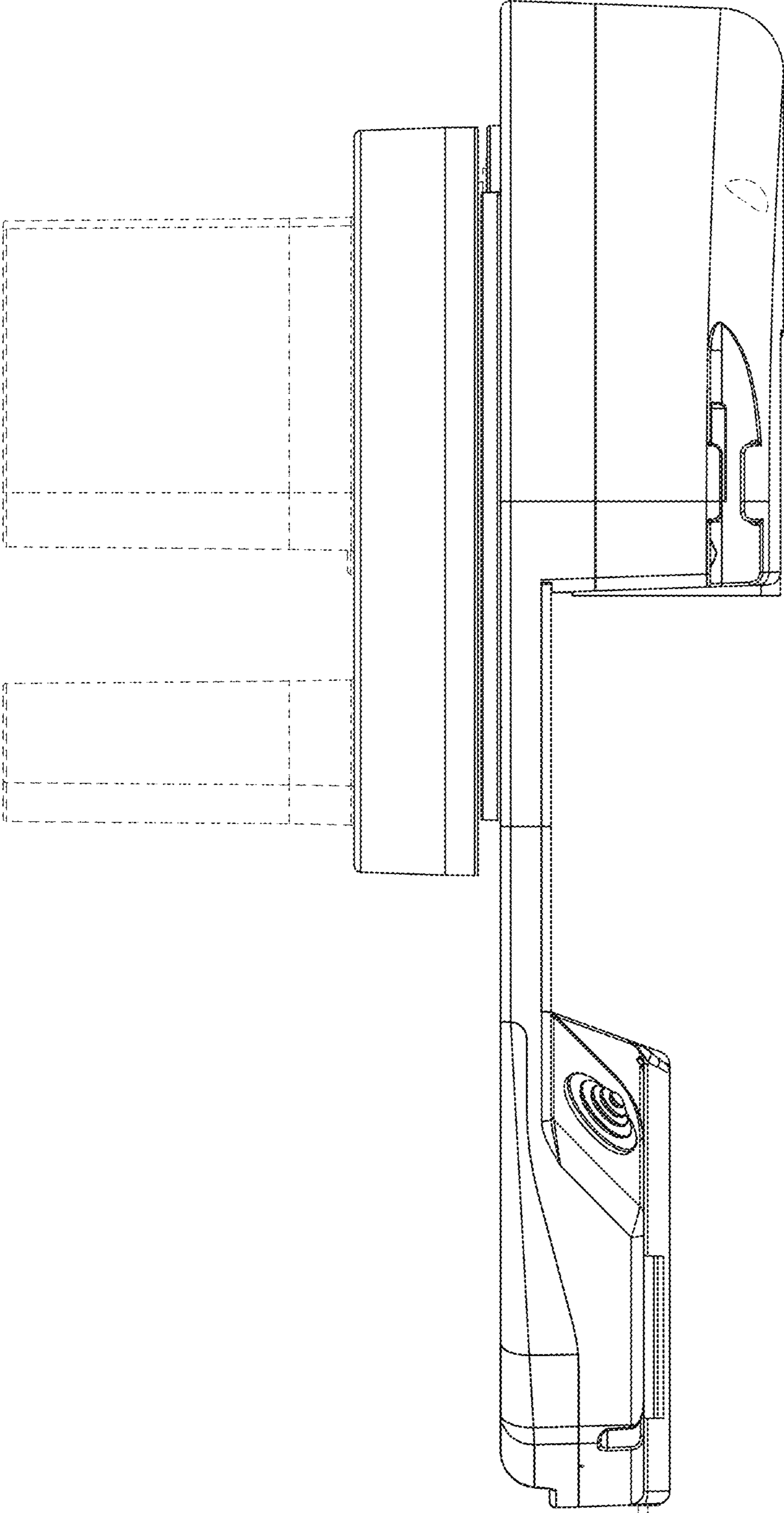


FIG.2

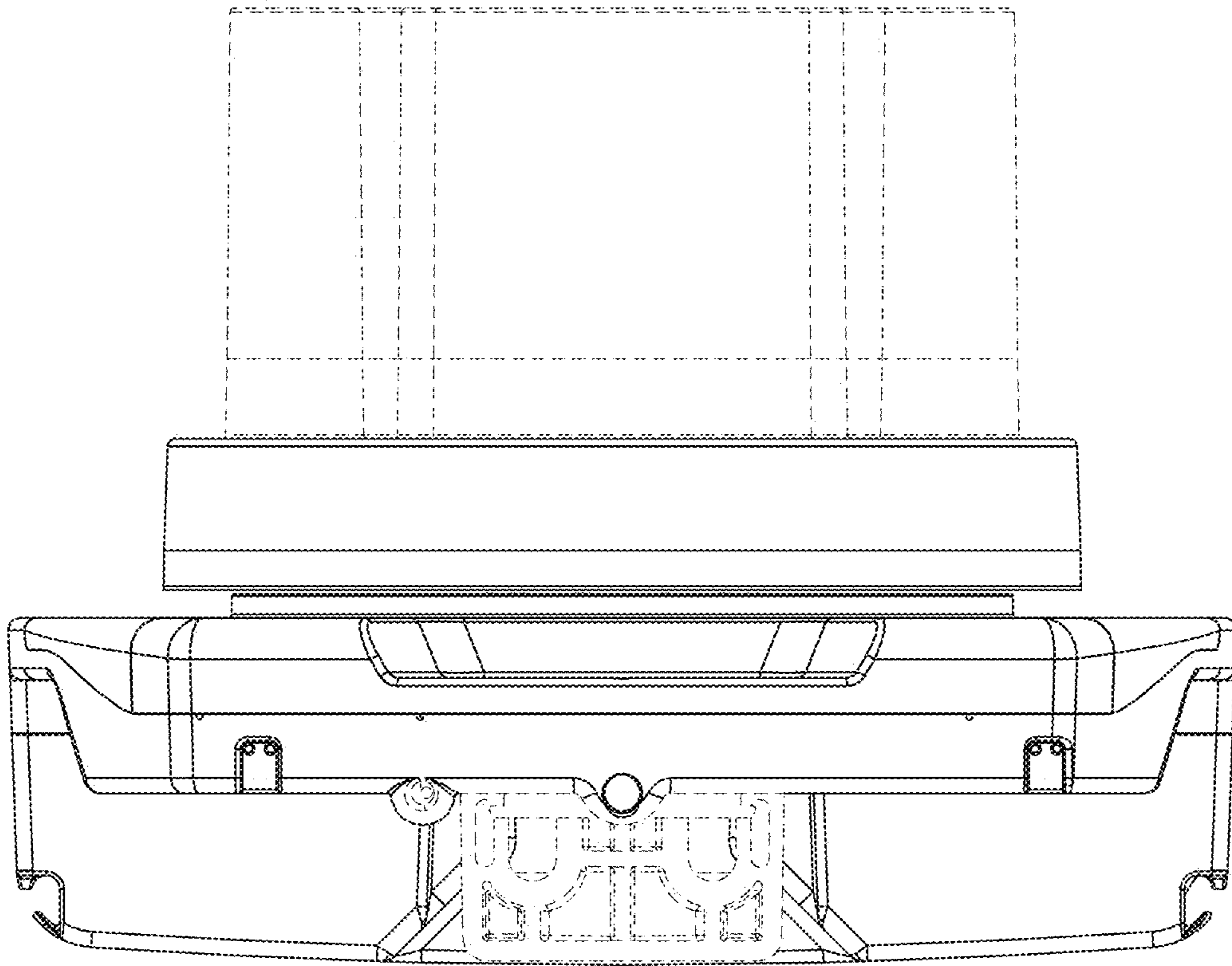


FIG.3

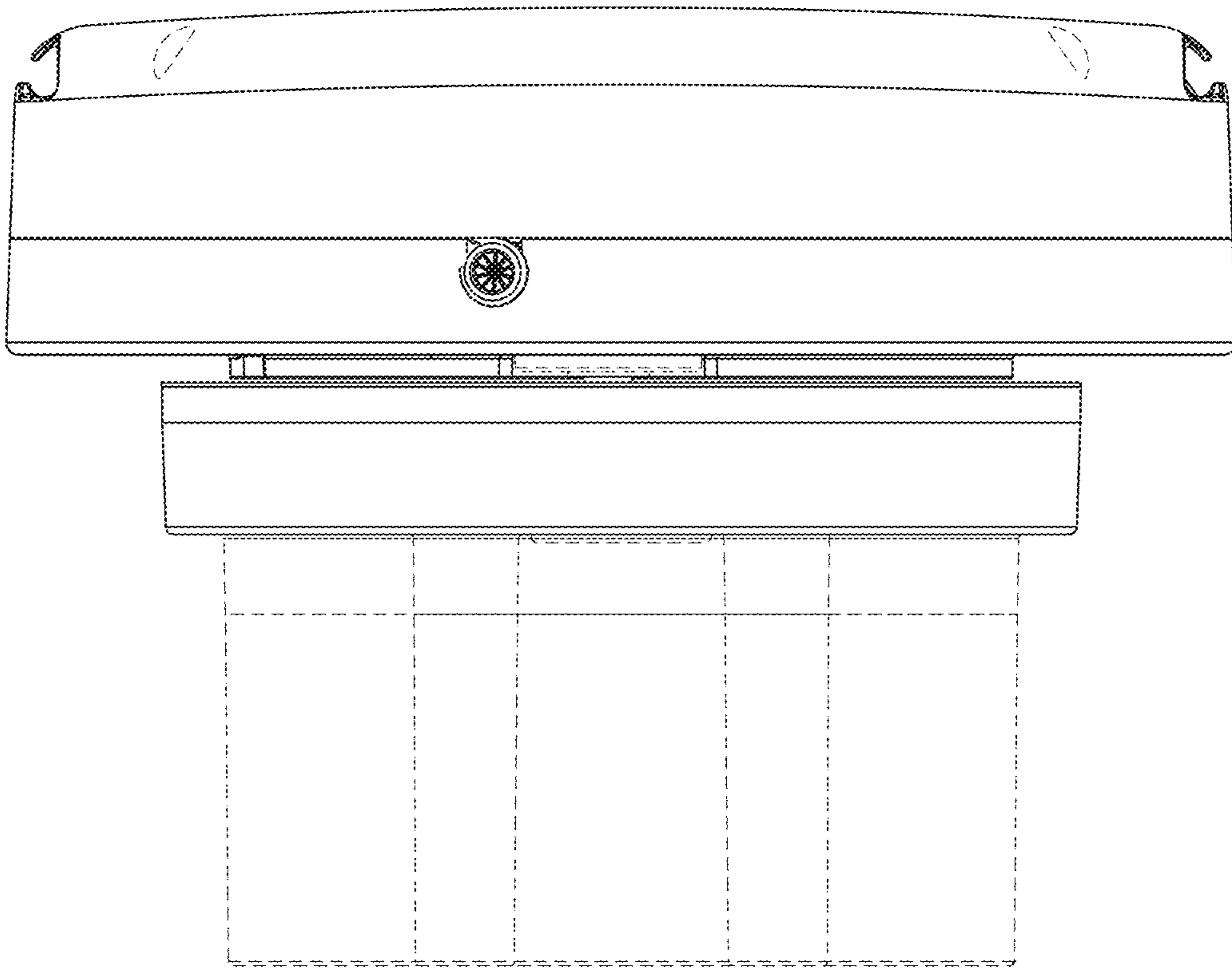


FIG.4

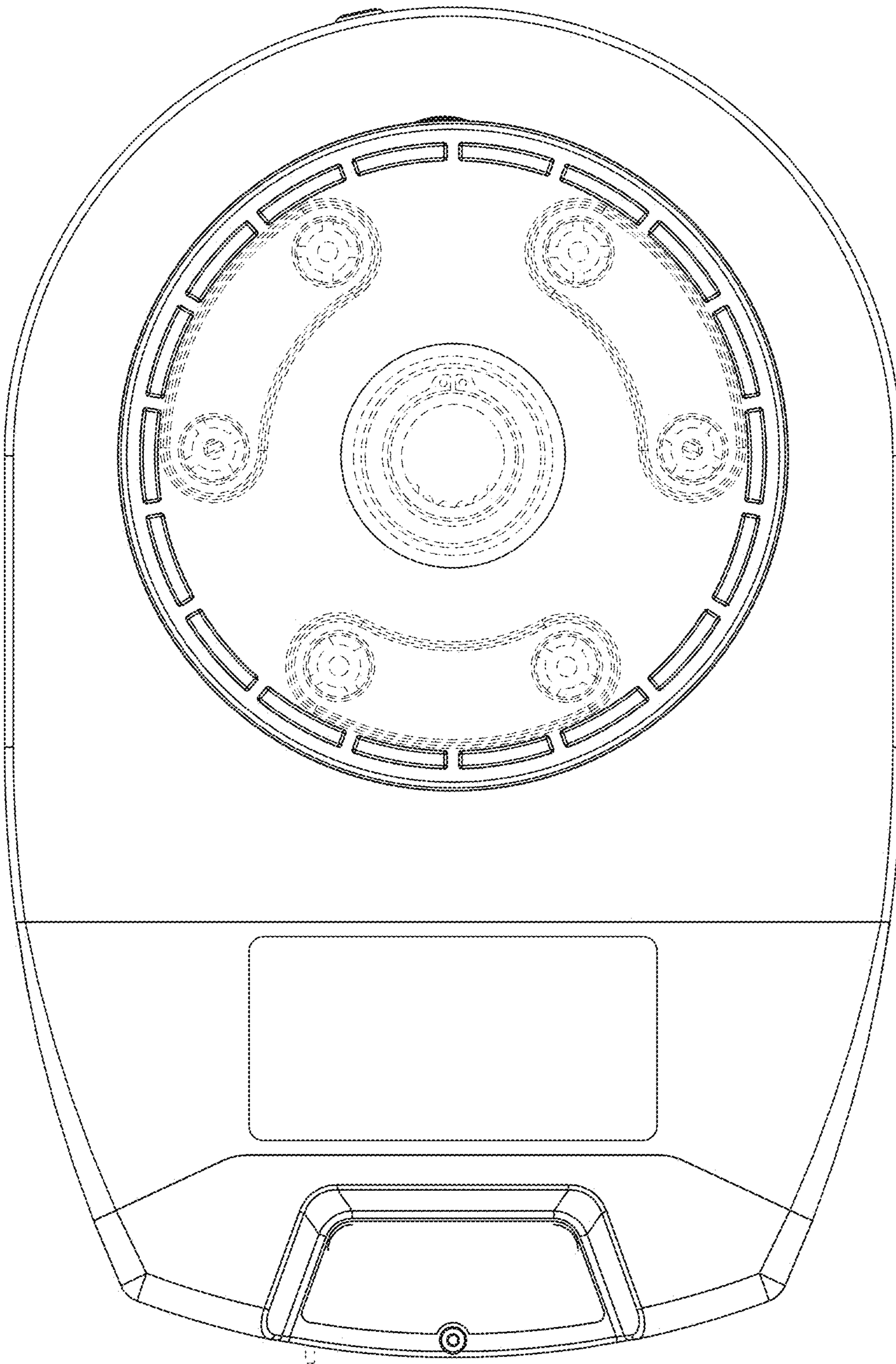


FIG.5

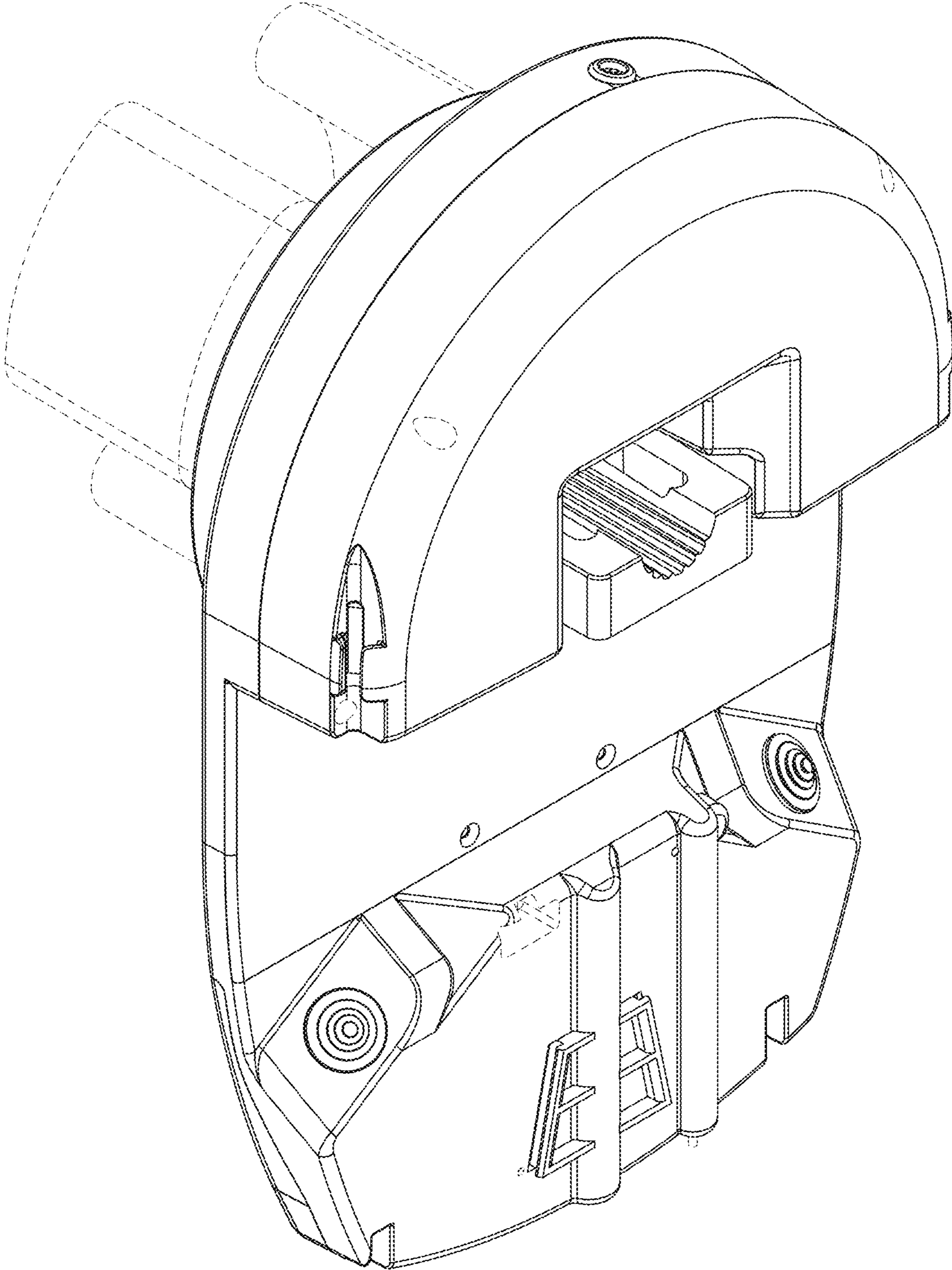


FIG.6

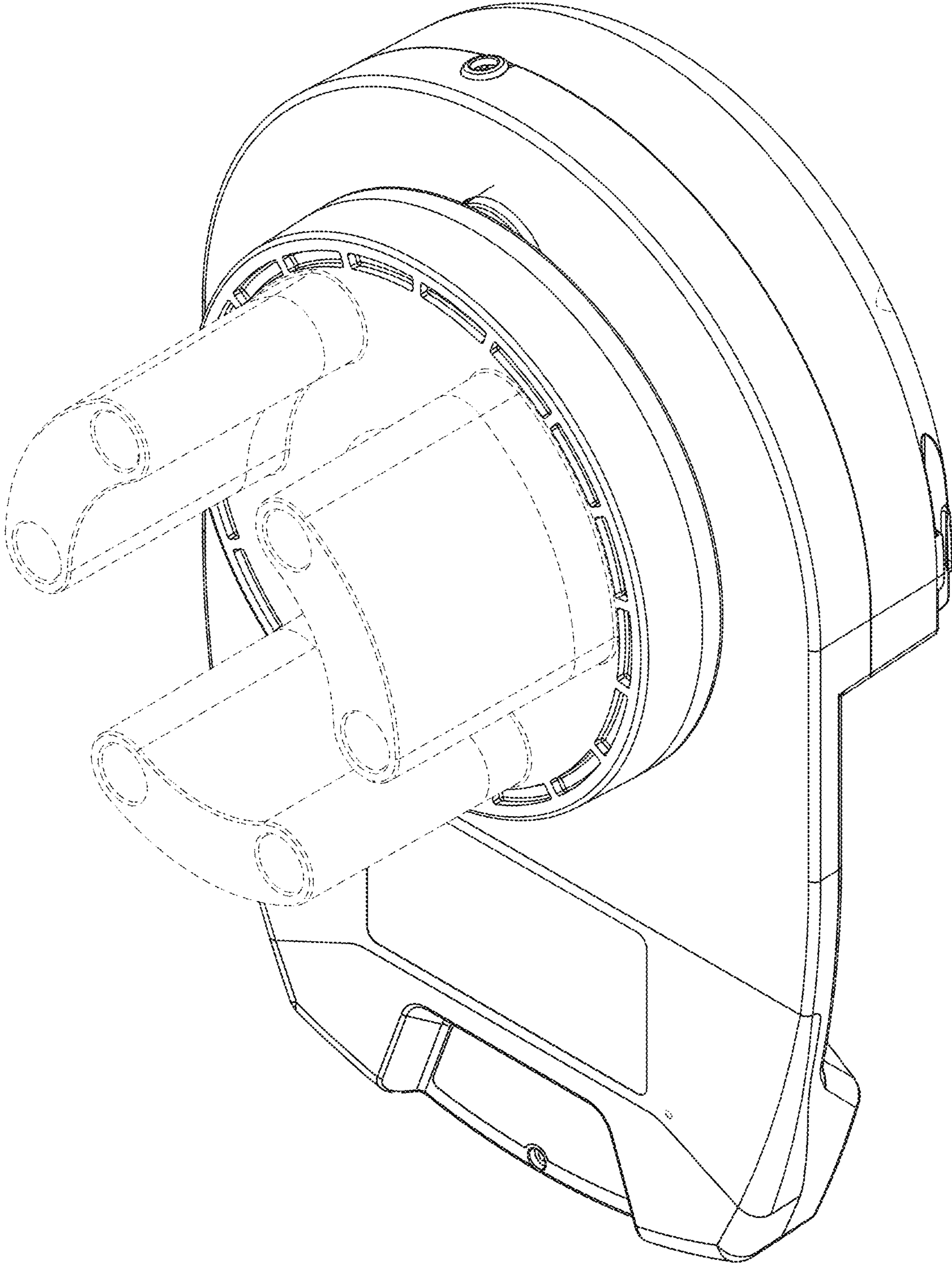


FIG.7