

US00D946375S

(12) **United States Design Patent**  
**Chen**

(10) **Patent No.:** **US D946,375 S**  
(45) **Date of Patent:** **\*\* Mar. 22, 2022**

- (54) **TOOL HANDLE**
- (71) Applicant: **MING SHIN TOOLS CO., LTD.,**  
Taichung (TW)
- (72) Inventor: **Yung-Shun Chen,** Taichung (TW)
- (73) Assignee: **MING SHIN TOOLS CO., LTD.,**  
Taichung (TW)
- (\*\*) Term: **15 Years**
- (21) Appl. No.: **29/752,600**
- (22) Filed: **Sep. 28, 2020**
- (51) **LOC (13) Cl.** ..... **08-04**
- (52) **U.S. Cl.**  
USPC ..... **D8/107**
- (58) **Field of Classification Search**  
USPC ..... D8/14, 82, 83, 84, 85, 105, 107, 300,  
D8/303; D24/133; D4/138; D7/395  
CPC ..... B25G 1/10; B25G 1/102; B25G 1/105;  
B25B 15/02; B25B 15/04; B25B 15/06;  
B25B 1/025; B25B 1/005; B25B 1/085  
See application file for complete search history.

D633,358 S *	3/2011	Deguglimo	.....	D8/83
D642,887 S *	8/2011	Good	.....	D8/83
D645,717 S *	9/2011	Ou	.....	D8/83
D778,703 S *	2/2017	Nelson	.....	D8/83
D859,119 S *	9/2019	Hyma	.....	D8/83
D910,408 S *	2/2021	Lin	.....	D8/83
D919,403 S *	5/2021	Lin	.....	D8/107
2010/0095812 A1 *	4/2010	Lai	.....	B25B 23/0042 81/438
2016/0052124 A1 *	2/2016	Lai	.....	B25G 1/085 81/438
2017/0305008 A1 *	10/2017	Wang	.....	B25B 15/02
2019/0091850 A1 *	3/2019	Ou	.....	B25G 1/105

\* cited by examiner

*Primary Examiner* — Philip S Hyder

(74) *Attorney, Agent, or Firm* — Muncy, Geissler, Olds & Lowe, P.C.

(57) **CLAIM**

I claim the ornamental design for a tool handle, as shown and described.

**DESCRIPTION**

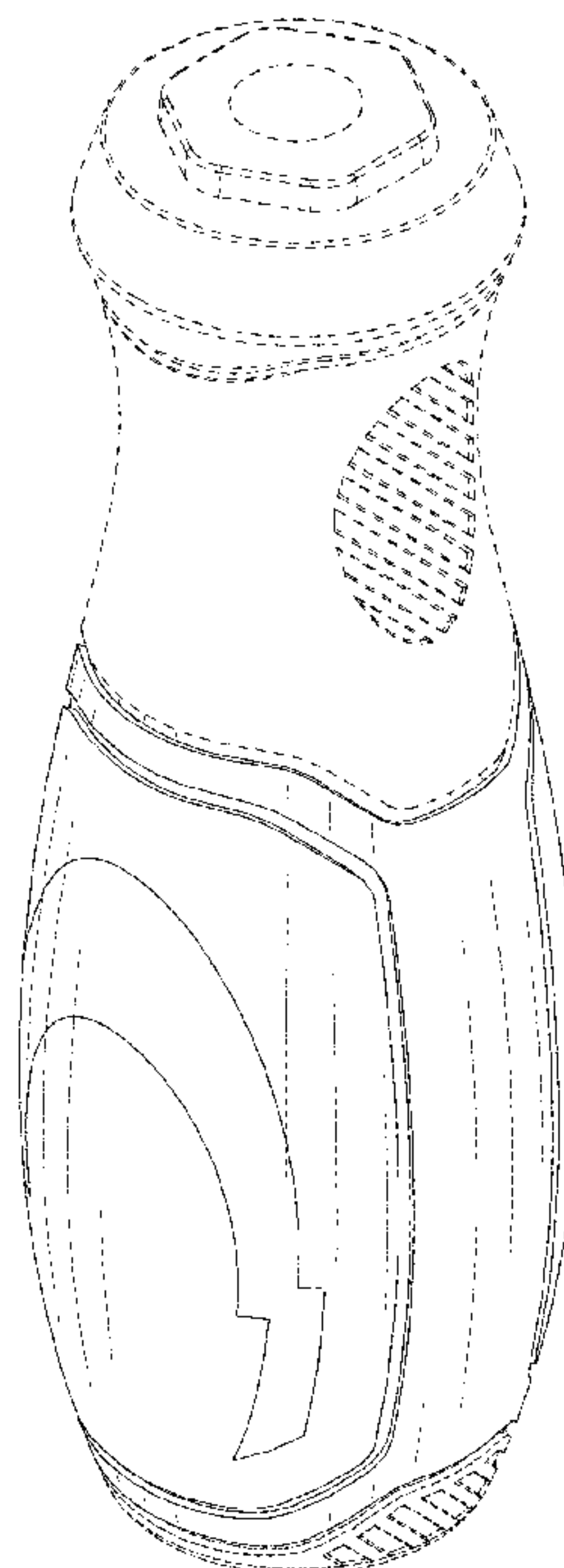
FIG. 1 is a top, front, right perspective view of a tool handle showing my new design;  
 FIG. 2 is a front elevational view thereof;  
 FIG. 3 is a rear elevational view thereof;  
 FIG. 4 is a left side view thereof;  
 FIG. 5 is a right side view thereof;  
 FIG. 6 is a top plan view thereof;  
 FIG. 7 is a bottom plan view thereof; and,  
 FIG. 8 is a bottom, front, right perspective view showing the tool handle in use.  
 The broken lines in the drawings illustrate portions of the tool handle which form no part of the claimed design.

**1 Claim, 7 Drawing Sheets**

(56) **References Cited**

U.S. PATENT DOCUMENTS

D442,049 S *	5/2001	Shu	.....	D8/107
D454,770 S *	3/2002	Chang	.....	D8/107
D468,182 S *	1/2003	Thompson	.....	D8/107
D516,893 S *	3/2006	Kuo	.....	D8/83
D525,850 S *	8/2006	Huang	.....	D8/83
D585,261 S *	1/2009	Shih	.....	D8/83
D616,277 S *	5/2010	Molina	.....	D8/82
D617,170 S *	6/2010	Lai	.....	D8/107
D633,357 S *	3/2011	Garcia	.....	D8/83



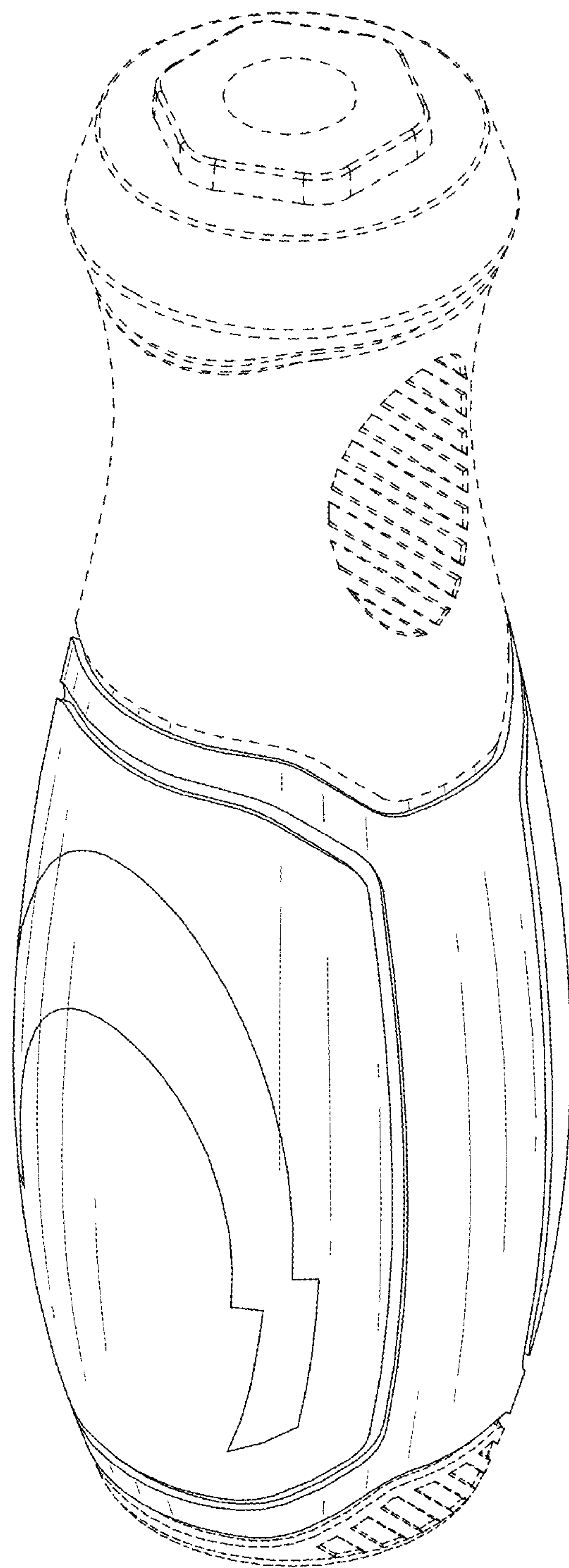


FIG. 1

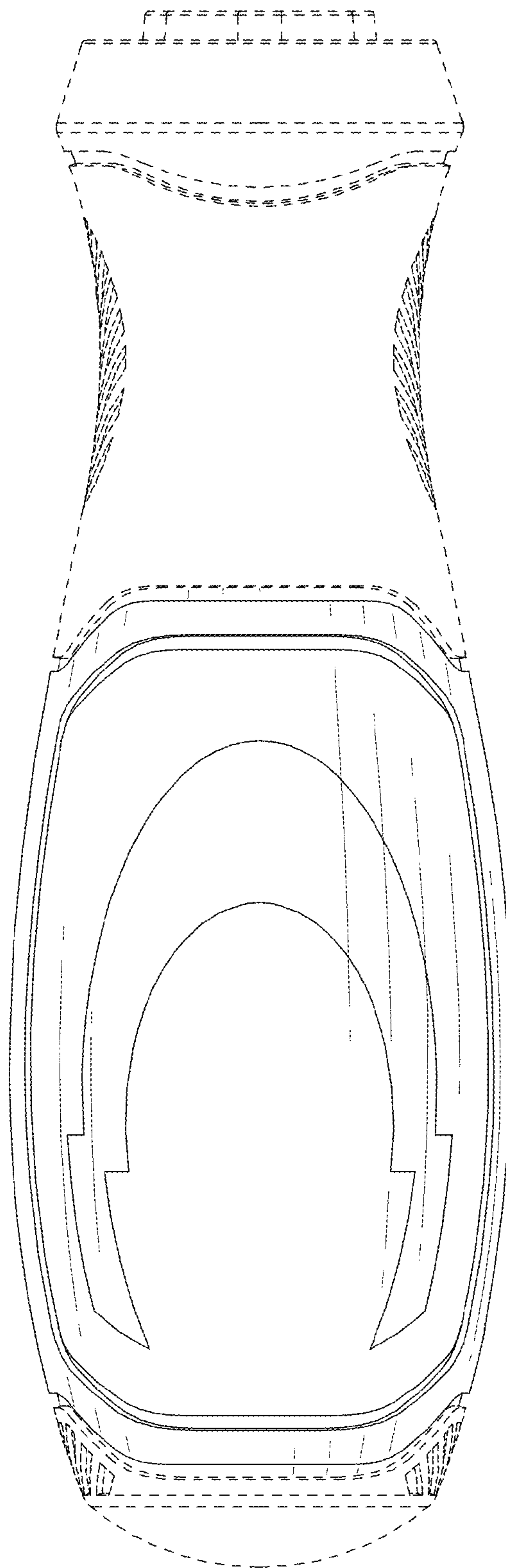


FIG. 2

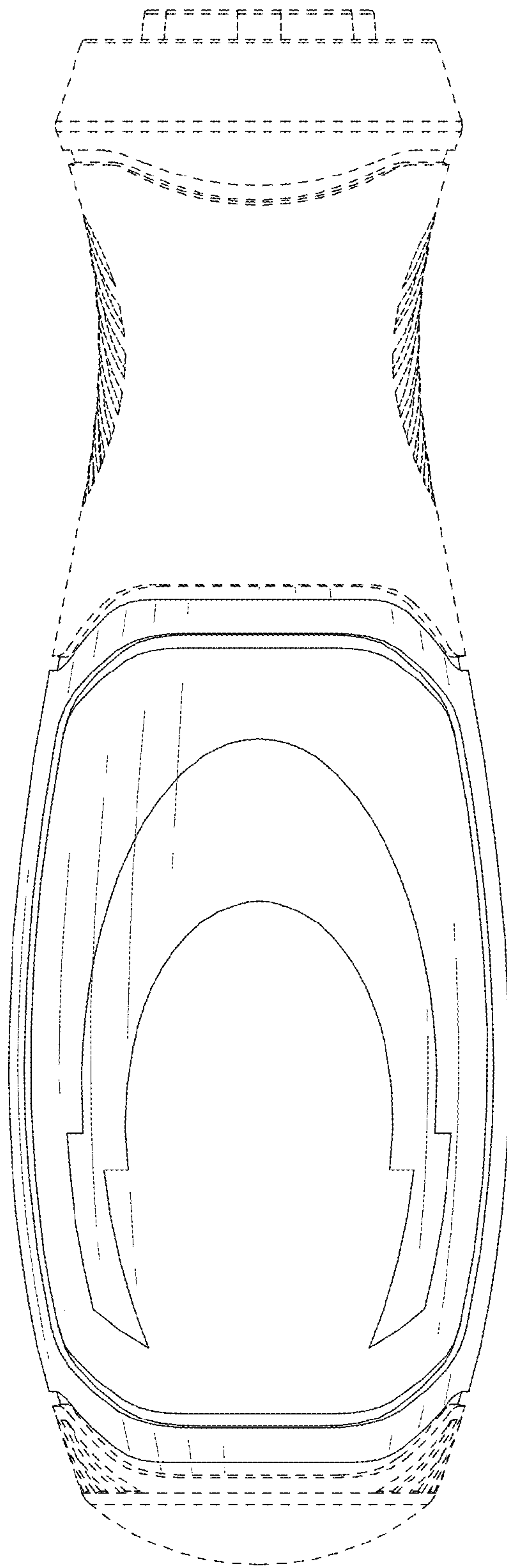


FIG. 3

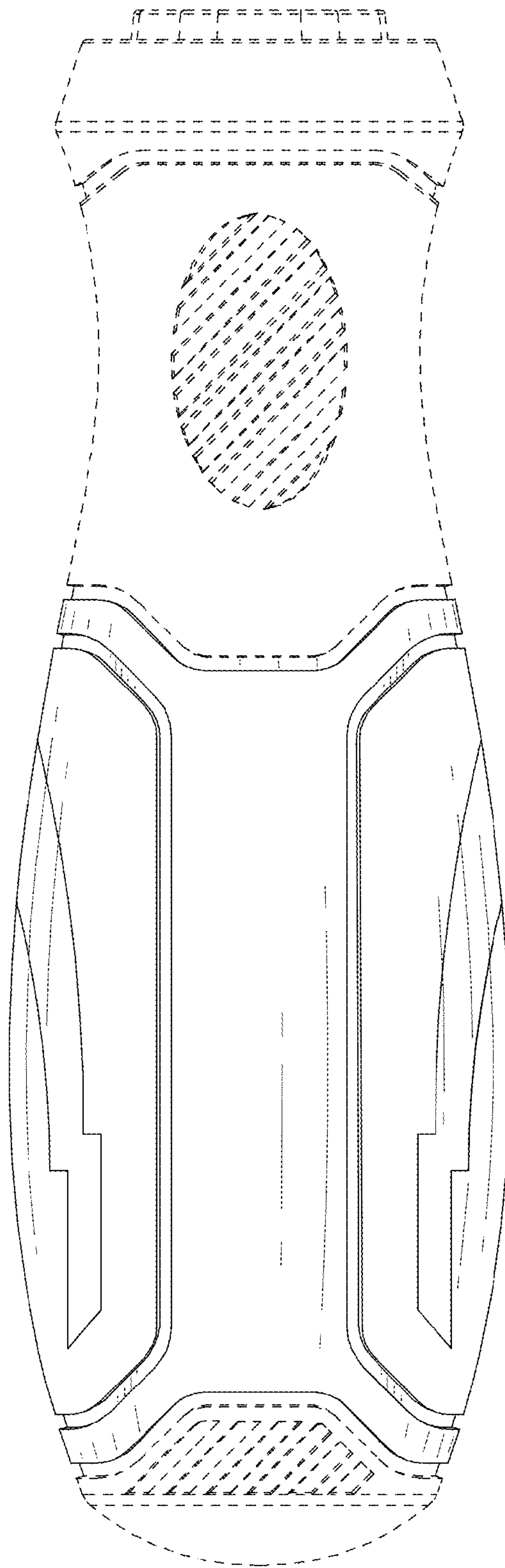


FIG. 4



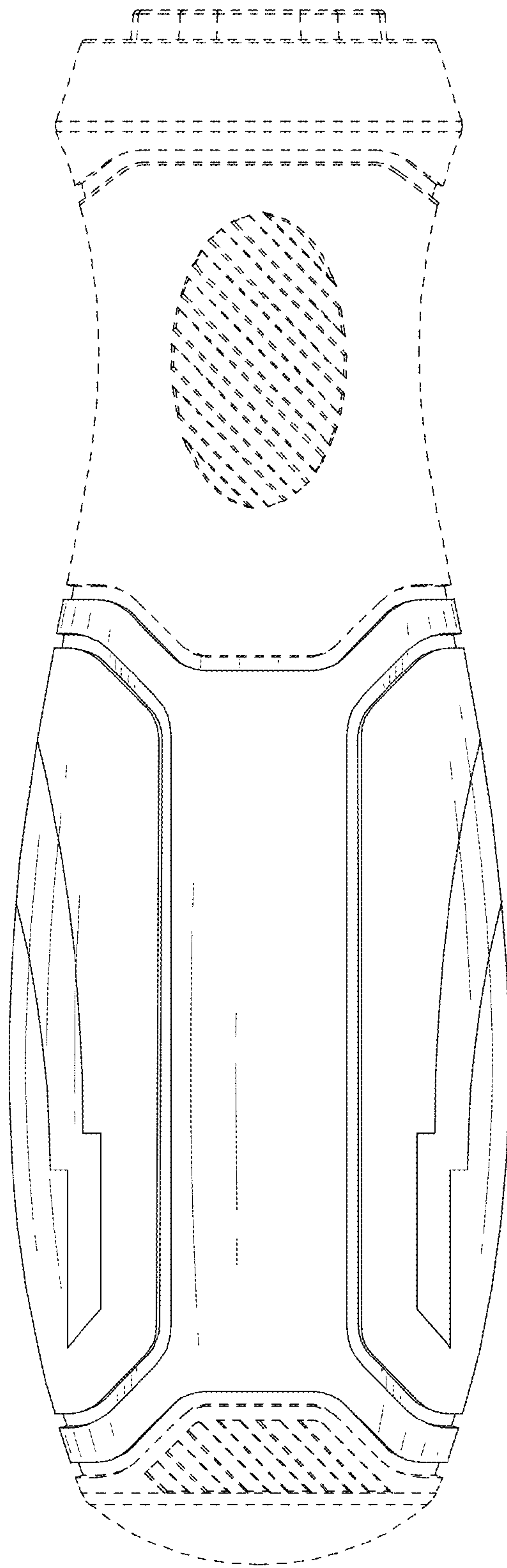


FIG. 5

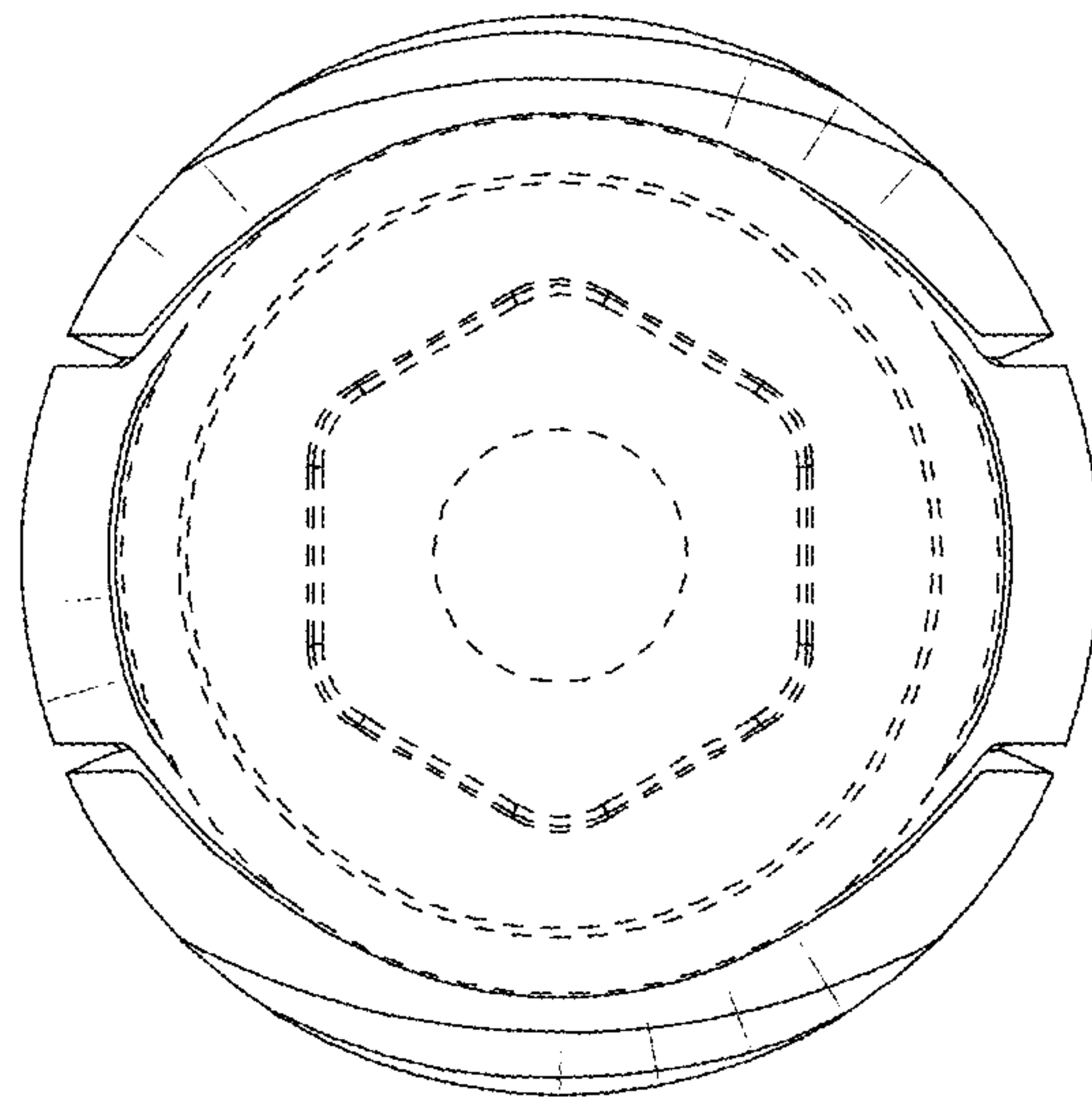


FIG. 6

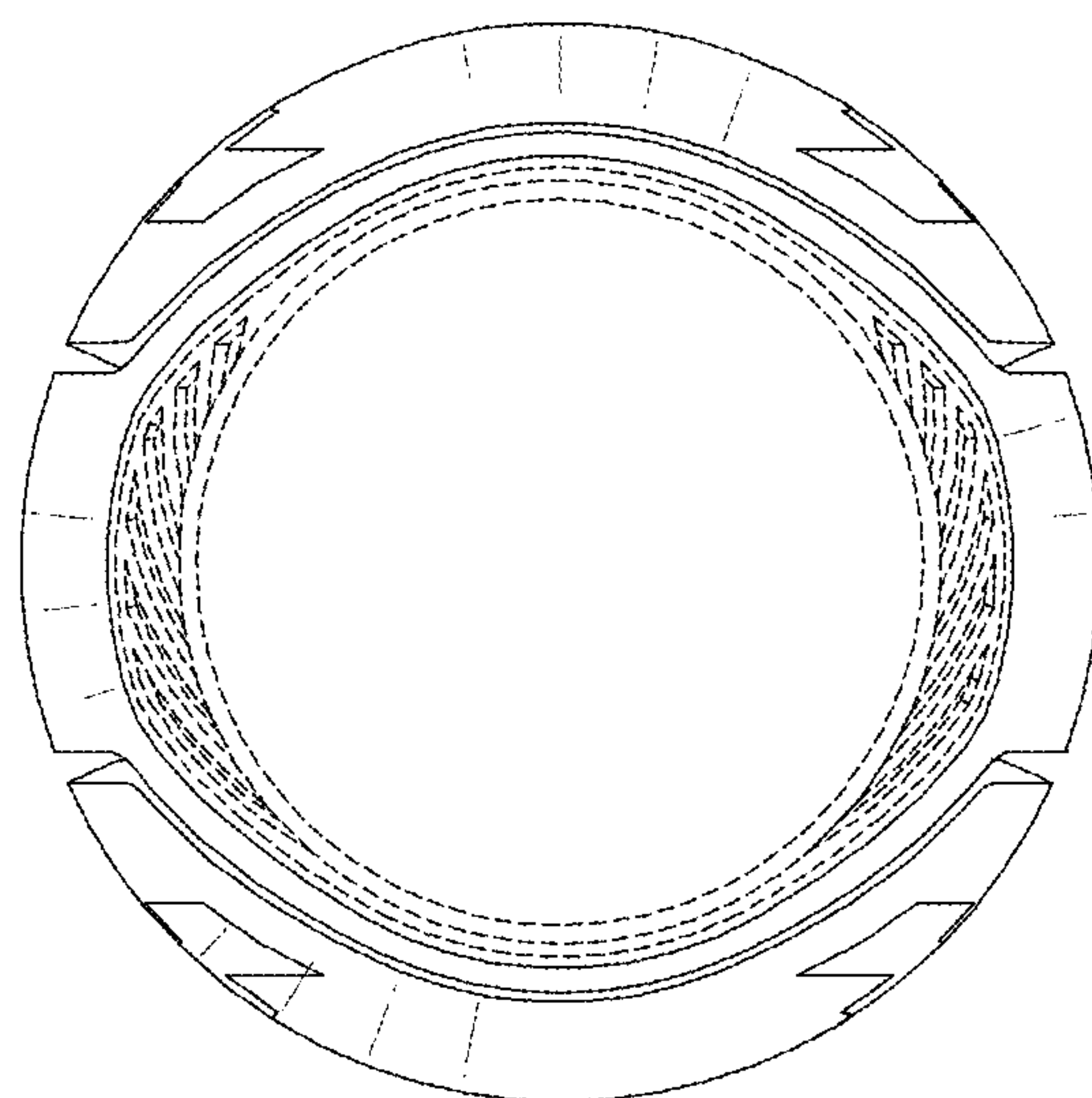


FIG. 7

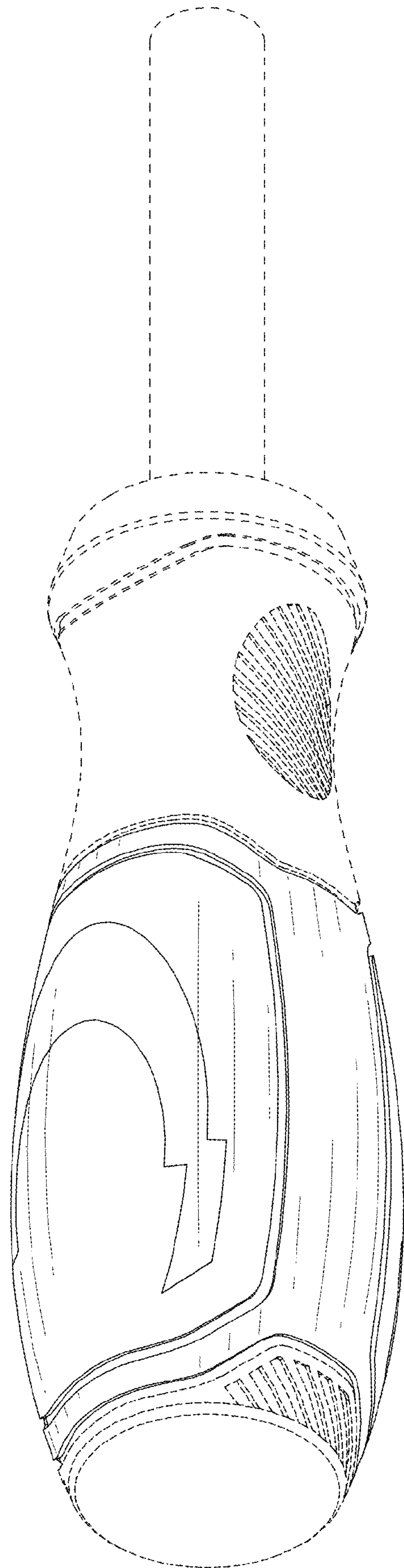


FIG. 8