



US00D946374S

(12) **United States Design Patent**
Sung

(10) **Patent No.:** **US D946,374 S**
(45) **Date of Patent:** **** Mar. 22, 2022**

(54) **FOLDING KNIFE**
(71) Applicant: **Shaoching Sung**, Chino, CA (US)
(72) Inventor: **Shaoching Sung**, Chino, CA (US)
(**) Term: **15 Years**
(21) Appl. No.: **29/780,965**

D784,485 S 4/2017 Nawaz
D806,498 S * 1/2018 Bloch D8/99
D807,143 S * 1/2018 Constantine D8/99
D807,723 S * 1/2018 Constantine D8/99
D811,191 S * 2/2018 Berenji D8/99
D863,931 S 10/2019 Chalfant et al.
D898,541 S 10/2020 Chumchal
D898,542 S 10/2020 Marfione et al.
D926,013 S * 7/2021 Sung D8/99

(Continued)

(22) Filed: **Apr. 27, 2021**
(51) **LOC (13) Cl.** **08-03**
(52) **U.S. Cl.**
USPC **D8/99**
(58) **Field of Classification Search**
USPC D8/98, 99, 100, 105, 107; D22/118
CPC B26B 5/001; B26B 5/003; B26B 11/00;
B26B 1/08; B26B 1/02; B26B 1/10;
B26B 1/04; B26B 1/042; B26B 1/044;
B26B 1/048; B26B 3/08; B26B 29/06;
B26B 5/00
See application file for complete search history.

FOREIGN PATENT DOCUMENTS

CN 304832964 9/2018
CN 304868127 10/2018

(Continued)

Primary Examiner — Philip S Hyder
(74) *Attorney, Agent, or Firm* — Loza & Loza, LLP;
Heidi Eisenhut

(57) **CLAIM**

I claim the ornamental design for a folding knife, as shown and described.

(56) **References Cited**

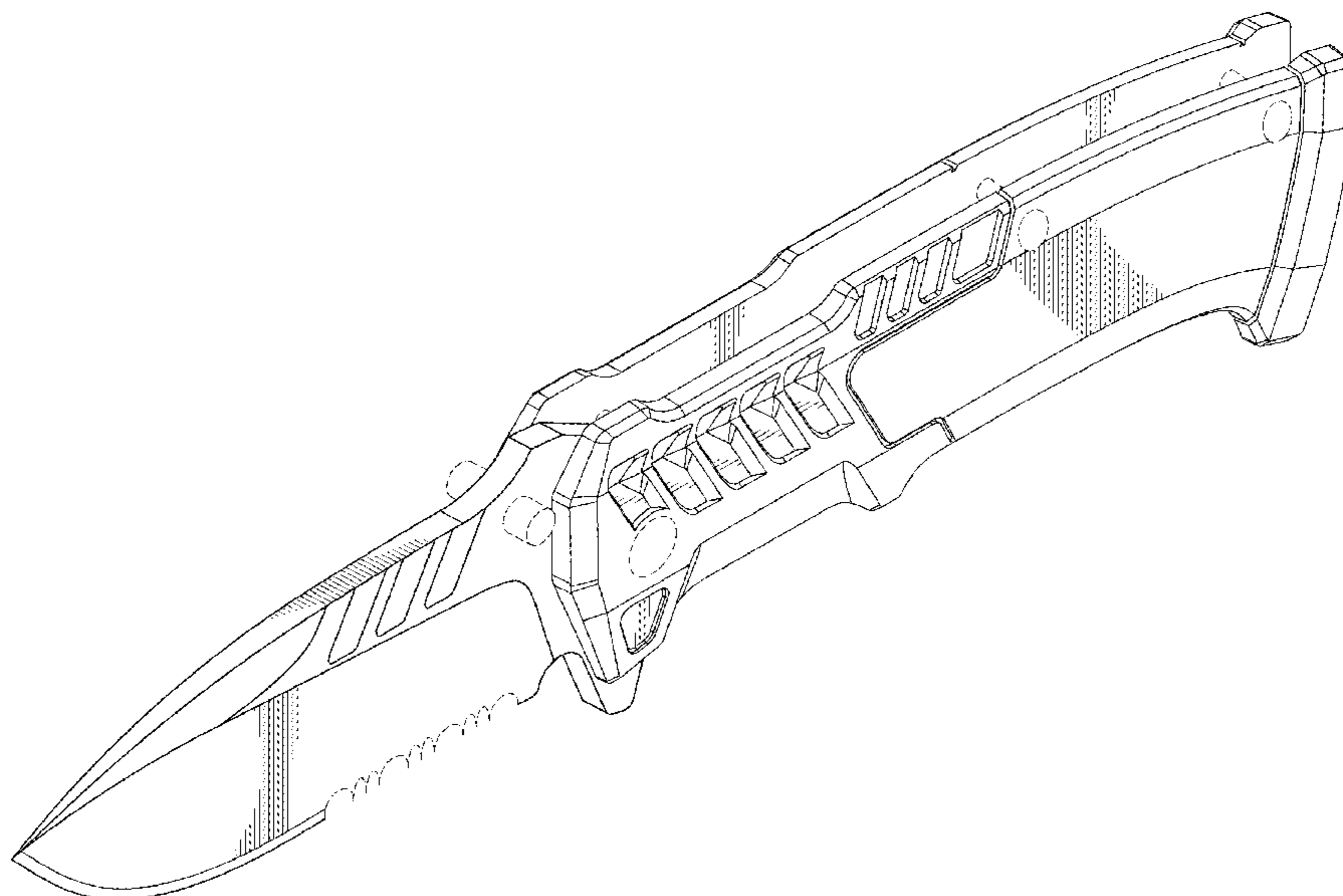
U.S. PATENT DOCUMENTS

5,819,414 A * 10/1998 Marfione B26B 1/046
30/160
D473,917 S 4/2003 Carter, III
D494,440 S 8/2004 Carter, III
D496,575 S 9/2004 Carter, III
D497,531 S * 10/2004 Carter, III D8/99
D558,295 S * 12/2007 Linn D22/118
D599,641 S * 9/2009 Yang-Fu D8/99
D600,090 S 9/2009 Yang-Fu
D613,574 S * 4/2010 Pohl D8/99
D634,174 S * 3/2011 Ryan D8/99
D636,053 S 4/2011 Freeman et al.
D653,520 S 2/2012 Chang
D672,842 S 12/2012 Pelton
D692,289 S * 10/2013 Cheng D8/99
D768,454 S * 10/2016 Xin D8/99
D768,455 S * 10/2016 Xin D8/99

DESCRIPTION

FIG. 1 is a left, top perspective view of a folding knife in an open configuration, showing my new design;
FIG. 2 is a left-side elevation view thereof;
FIG. 3 is a right-side elevation view thereof;
FIG. 4 is a front elevation view thereof;
FIG. 5 is a back elevation view thereof;
FIG. 6 is a top plan view thereof;
FIG. 7 is a bottom plan view thereof;
FIG. 8 is a left, top perspective view of the folding knife in a closed configuration thereof; and,
FIG. 9 is a left-side elevation view thereof.
The broken lines depict portions of the folding knife in which the design is embodied that are not considered part of the claimed design.

1 Claim, 7 Drawing Sheets



(56)

References Cited

U.S. PATENT DOCUMENTS

D926,552 S * 8/2021 Peng D8/99
2017/0361473 A1 12/2017 Tkachenko

FOREIGN PATENT DOCUMENTS

CN	304917176	11/2018
CN	304984494	1/2019
EM	001278170-0003	6/2011
EM	001278170-0007	6/2011

* cited by examiner

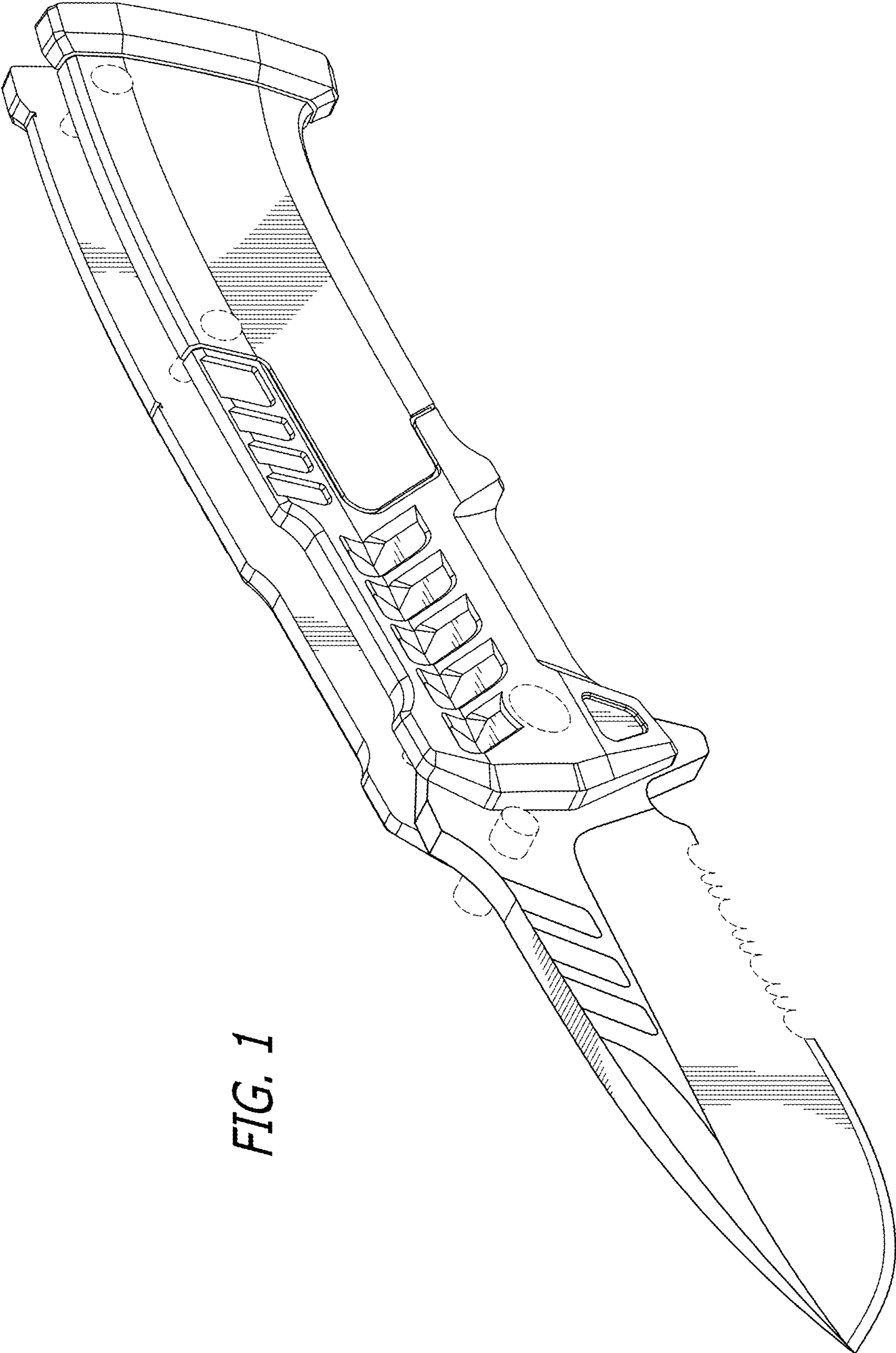


FIG. 1

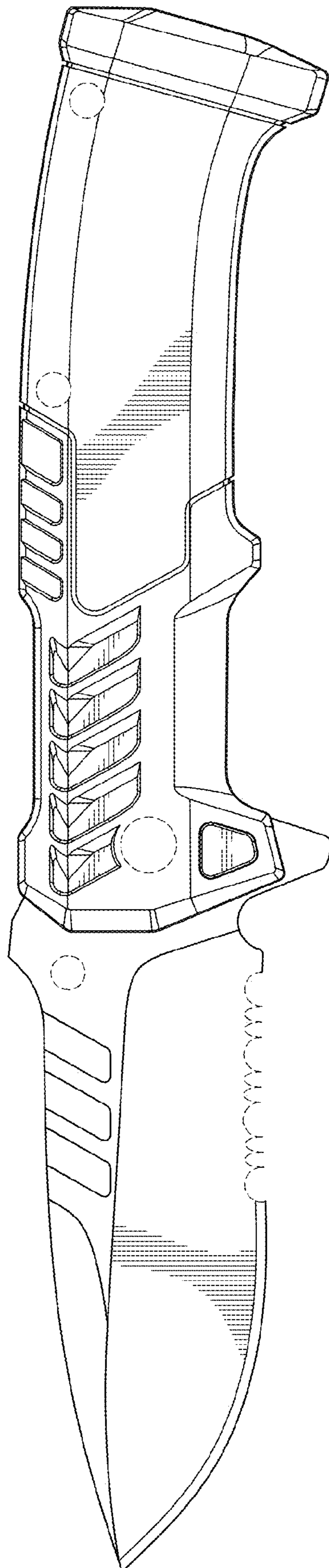


FIG. 2

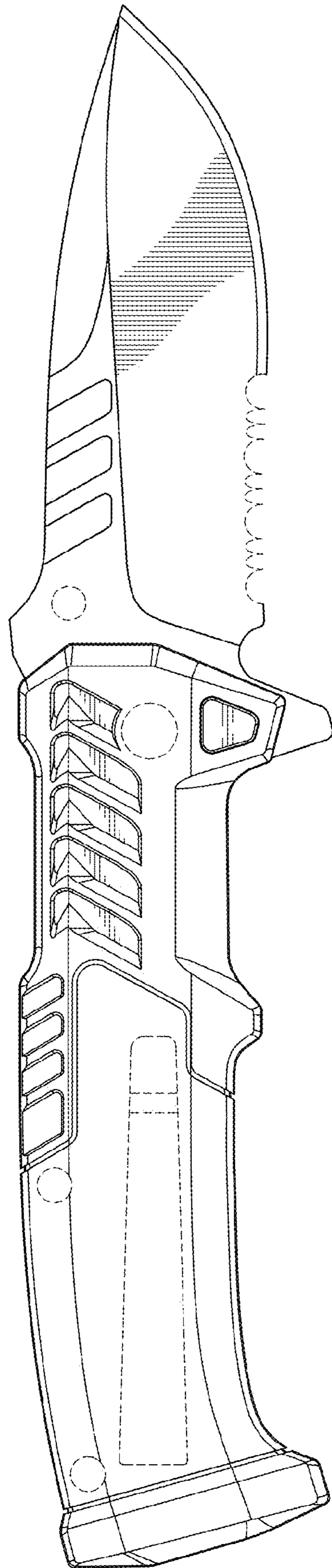


FIG. 3

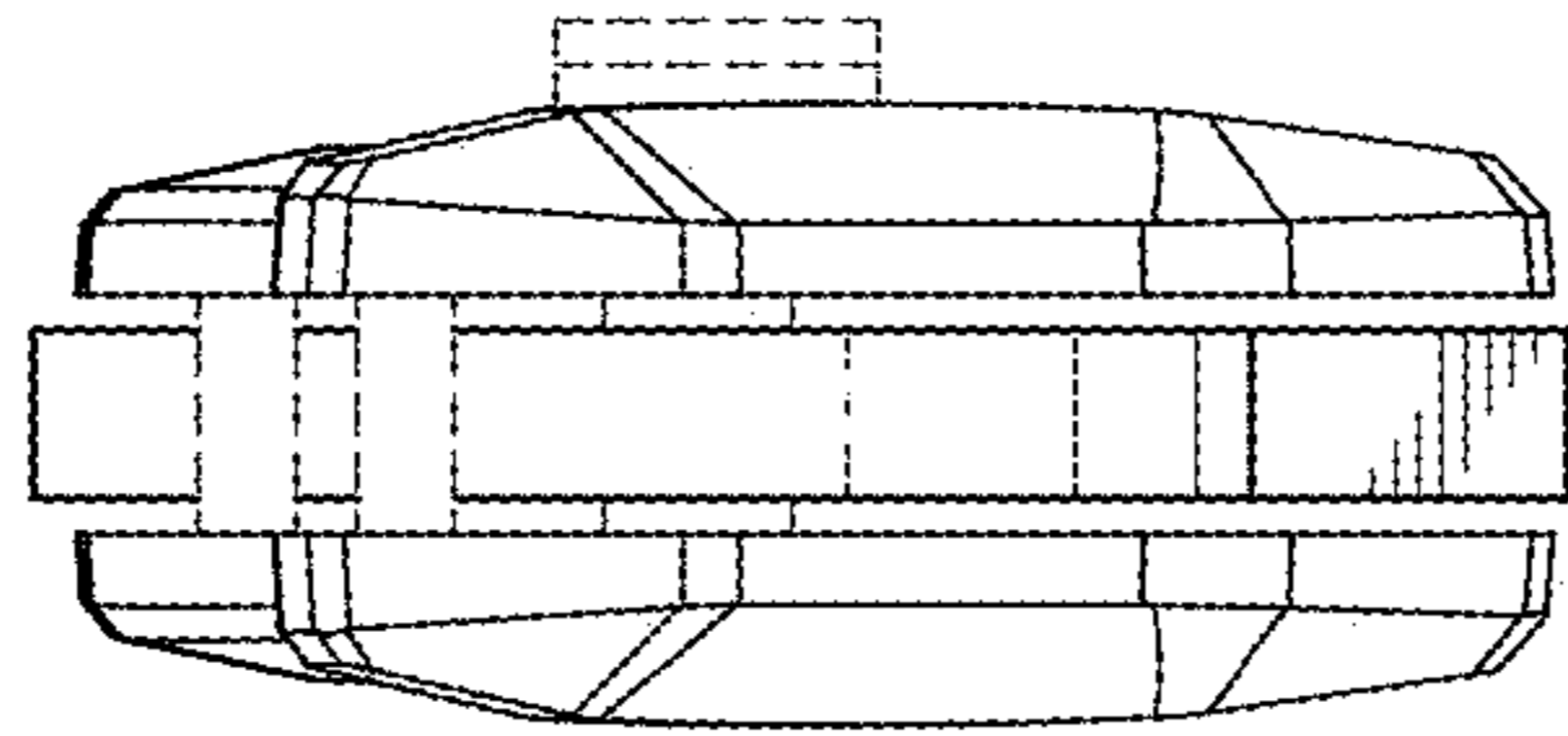


FIG. 5

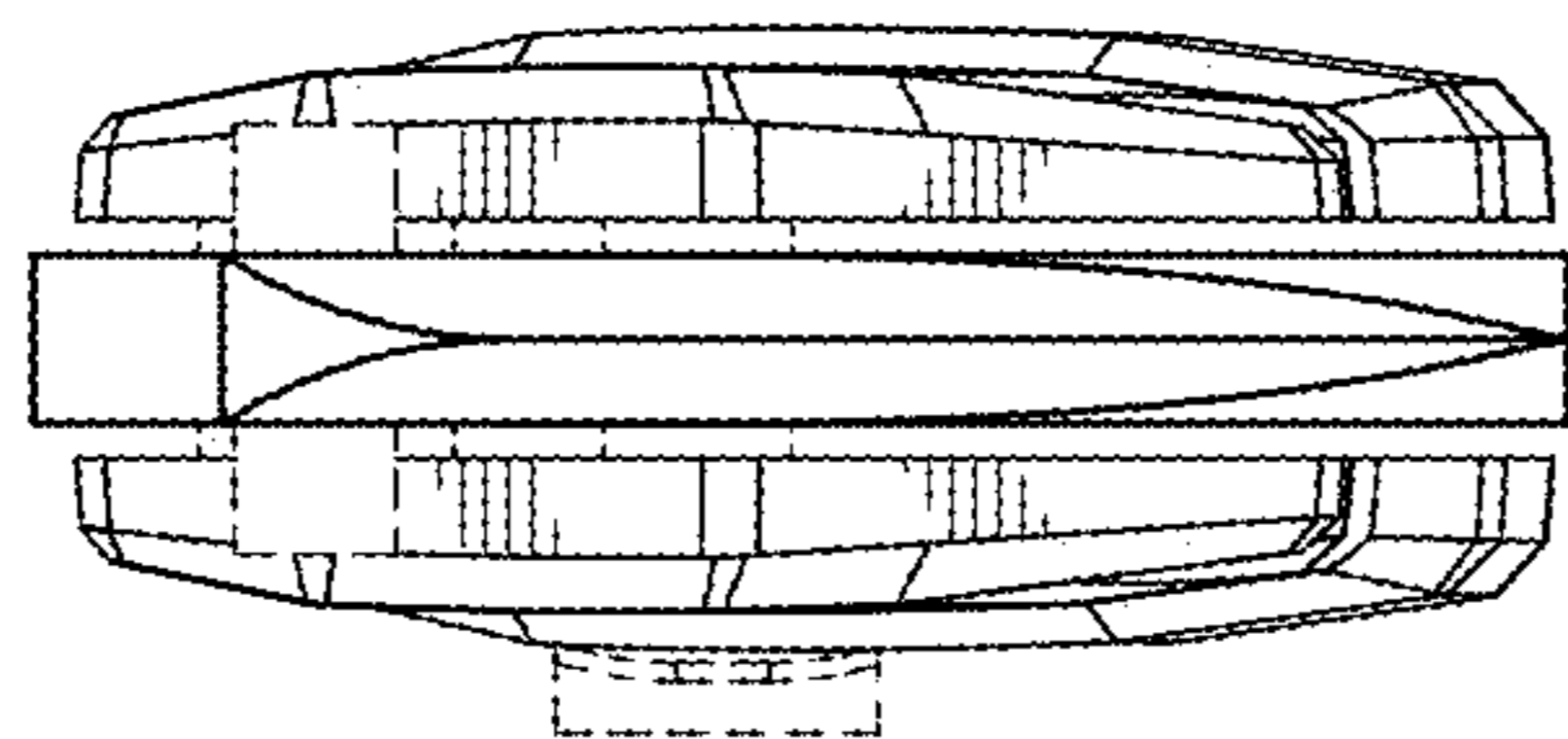


FIG. 4

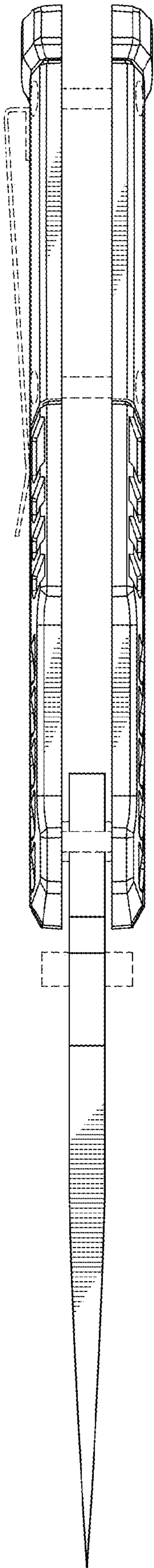


FIG. 6

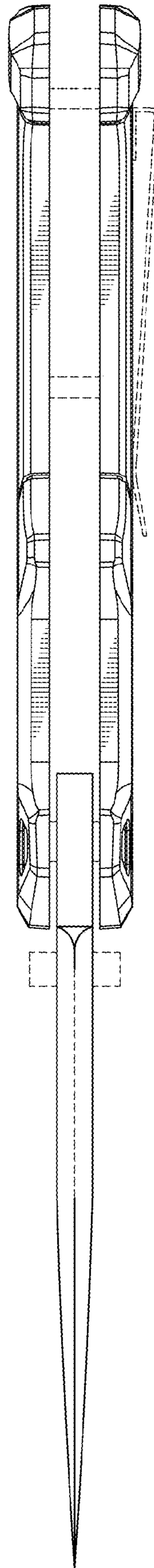


FIG. 7

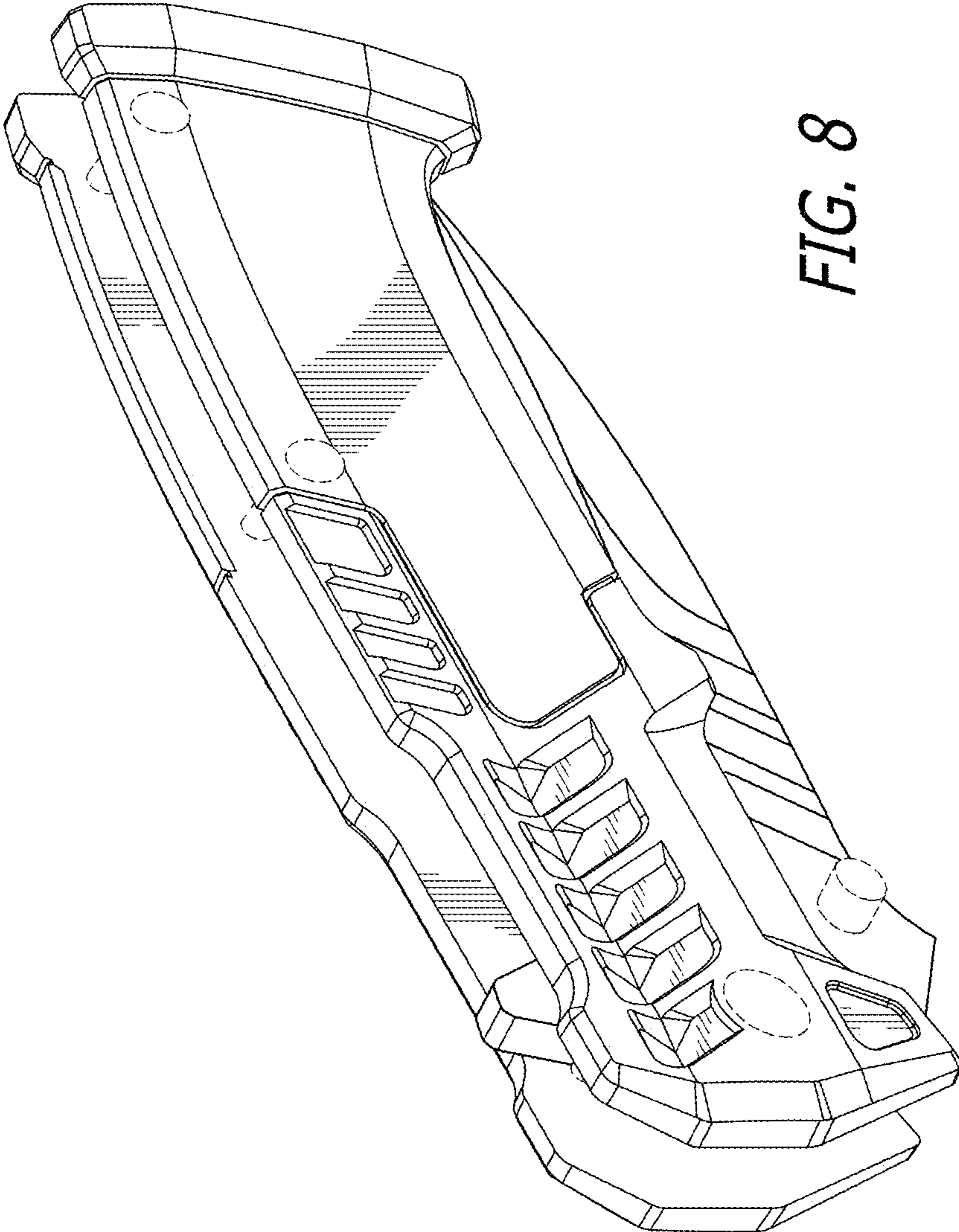


FIG. 8

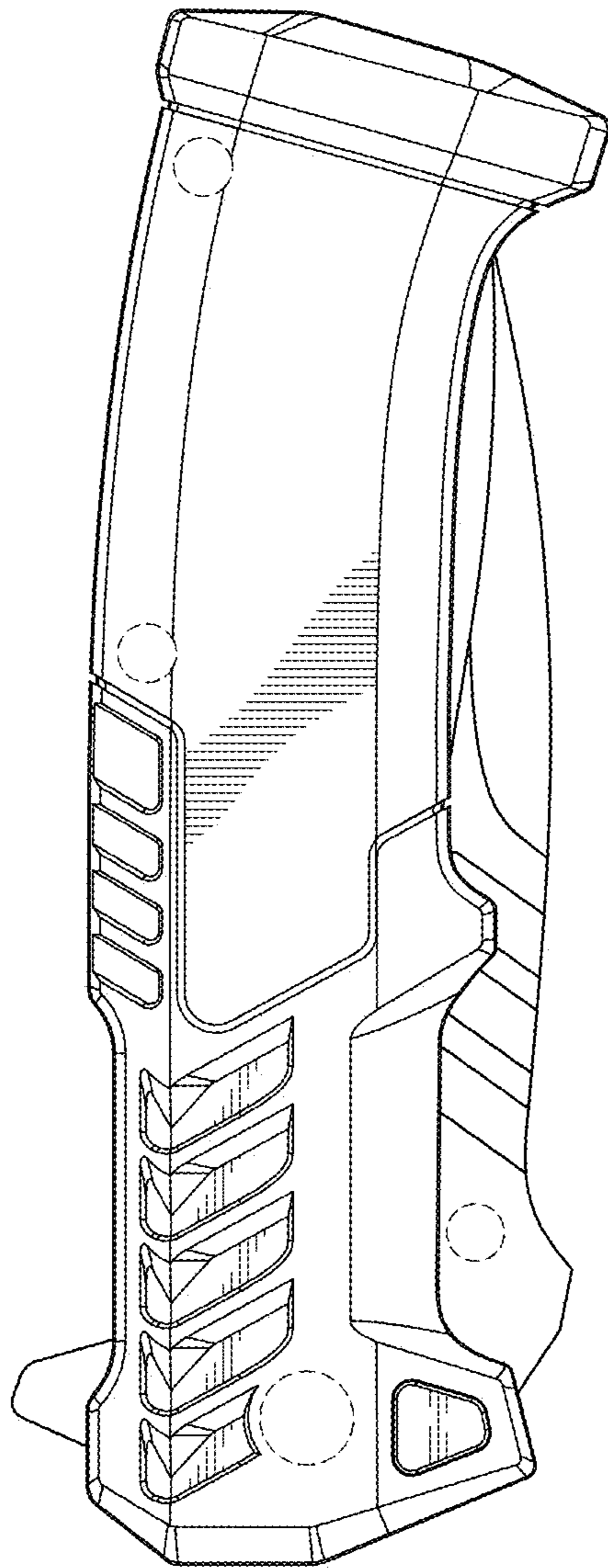


FIG. 9